



DOCUMENT CHANGE REQUEST

DCR number	473	Changes required for:	General	Originator:	Steve Thacker - ESCC
Date:	2009/02/06	Date sent:	2009/02/06	Organisation:	ESA/ESTEC
Status:	IMPLEMENTED				

Title: Connectors Electrical Rectangular Non-Removable Solder Bucket PCB and Wire-Wrap Contacts

Number: 3401/001 Issue: 3

Other documents affected:

3401/002-4, 3401/004-2, 3401/020-4, 3401/022-3, 3401/040-3

Page:

See details below

Paragraph:

See details below

Original wording:

Proposed wording:

Specifications amended to include new Male/Female coaxial and power saver contacts as required for new ESCC Detail Specification No.80 (to be 3401/080) for D*BM Connector Savers (see also DCR317 on 3401/004; DCR425 on 3401/040;)

Note - implementation of this DCR should be contingent on the approval of new ESCC draft spec No. 80 (3401/080)

Changes shall be as follows:

A) 3401/004

Amend Spec Title & Para 1.1 to also refer to

" ... and Male/Female-Type for 3401/080 Connector Savers"

Amend Para 1.1 & 2 to include new spec:

"ESCC Detail Specification No. 3401/080, Connector Savers, Electrical, Rectangular, Miniature, Non-Removable Signal Contacts, And Removable Coaxial And Power Contacts"

Table 1(a), Add new Variant 25 to table columns as follows:

25; Male/Female; NA; 1.7; NA; NA

Figure 2, Add new figure for Variant 25 for Male/Female Coaxial Contact (with Female/Male Centre Contact). See attached. Add Variant 25 Dimension B = 20.20mm to dimension table (all other dimensions: '-').

Paras 4.2.4 & 4.3.12; Add reference to Variant 25 to Solderability deviation (see DCR317)



DOCUMENT CHANGE REQUEST

DCR number 473 Changes required for: General

Date: 2009/02/06

Date sent: 2009/02/06

Originator: Steve Thacker - ESCC

Organisation: ESA/ESTEC

Status: IMPLEMENTED

Paras 4.3.3.1, 4.3.3.2; 4.3.9.1, 4.3.9.2; Include Variant 25 in each of the tests (Contact Capability & Engagement And Separation Forces)(see DCR317)

B) 3401/040

Amend Spec Title & Para 1.1 to also refer to

" ... and Male/Female-Type for 3401/080 Connector Savers"

Amend Para 1.1 & 2 to include new spec:

"ESCC Detail Specification No. 3401/080, Connector Savers, Electrical, Rectangular, Miniature, Non-Removable Signal Contacts, And Removable Coaxial And Power Contacts"

Table 1(a), Add new Variant 17 to table columns as follows:

17; Male/Female; 2.15; NA; NA

Figure 2, Add new Figure 2(d) for Variant 17 for Male/Female Contact (with Female/Male Centre Contact). See attached. (renumber subsequent figures as Figure 2(e))

Paras 4.2.4 & 4.3.12; Add reference to Variant 17 to Solderability deviation. (see DCR425)

Paras 4.3.3 & 4.3.9; Include Variant 17 in each of the tests (Contact Capability & Engagement And Separation Forces)(see DCR425)

C) 3401/022

Amend Spec Title & Para 1.1 to also refer to " ... 3401/080".

Amend Para 1.1 to refer to D*BM and D*BMA as follows:

"This specification details the ratings, physical and electrical characteristics, test and inspection data for Accessories for Rectangular Connectors (D*M and D*MA) and Connector Savers (D*BM and D*BMA). It shall be read in conjunction with ESCC Generic Specification No. 3401, the requirements of which are supplemented herein and ESCC Detail Specifications Nos. 3401/001, 3401/002, 3401/020 and 3401/080."

Amend Para 2 to include new spec (renumber subsequent bullets):

"(e) ESCC Detail Specification No. 3401/080, Connector Savers, Electrical, Rectangular, Miniature, Non-Removable Signal Contacts, And Removable Coaxial And Power Contacts"

Justification:



DOCUMENT CHANGE REQUEST

DCR number	473	Changes required for:	General	Originator:	Steve Thacker - ESCC
Date:	2009/02/06	Date sent:	2009/02/06	Organisation:	ESA/ESTEC
Status:	IMPLEMENTED				

These changes are required in the above related specifications to be consistent with new ESCC Detail specification No. 80 (to be 3401/080) for D*BM connector savers from Manufacturer C&K Components/F.

Note - implementation of this DCR should be contingent on the approval of new ESCC draft spec No. 80 (3401/080)

Attachments:

DCR473attVar25.pdf, DCR473attVar17.pdf, null

Modifications:

Additional changes due to the introduction of 3401/080 to be added to DCR473 are as follows:

Other Documents Affected

3401/001 issue 3, Connectors Electrical Rectangular Non-Removable Solder Bucket PCB and Wire-Wrap Contacts and Removable Coaxial and Power Contacts, based on type D*M

3401/002 issue 4, Connectors Electrical Rectangular Removable Crimp Contacts, based on type D*MA

3401/020 issue 4, Connector Savers Electrical Rectangular Miniature Removable Contacts, based on type D*BMA

Proposed Wording of Change

D) 3401/001

Amend Para 1.1 & 2 to include the new titles for specs 3401/004, 3401/022 & 3401/040 as in A) B) C) above.

E) 3401/002

Amend Para 1.1 & 2 to include the new title for spec 3401/022 as in C) above.

F) 3401/020

Amend Para 1.1 & 2 to include the new title for spec 3401/022 as in C) above.

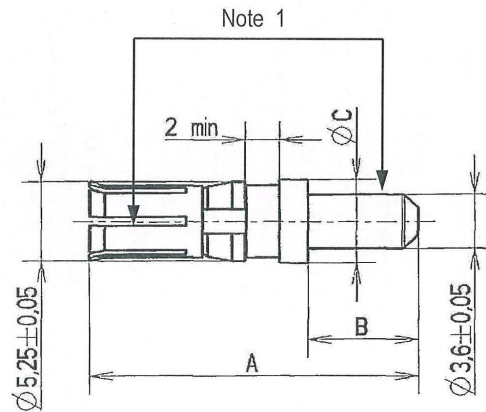
Approval signature:

Date signed:

2009-02-06

FIGURE 2 – PHYSICAL DIMENSIONS (CONTINUED)

FIGURE 2(d) – SAVERS TYPE



Variant 17

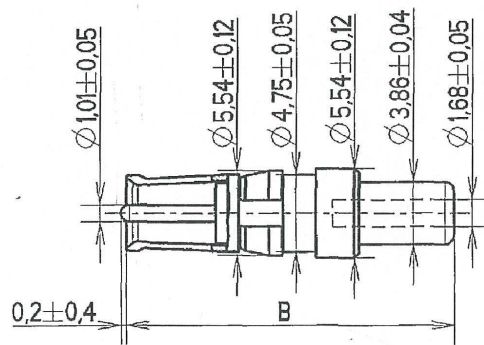
Variant (Note 2)	Type	A Max.	B Min.	ø C Max.
17	Saver	20,20	6,50	5,66

NOTES:

1. Measurement point for gold-plating thickness.
2. All dimensions are in millimetres.

FIGURE 2 – PHYSICAL DIMENSIONS (CONTINUED)

**Savers Coaxial Contact
 (Male & Female Centre Contact)**



Variant 25

1. Outer contact
2. Centre contact
3. Ring

Dimensions in millimetres.