



Pages 1 to 11

## **EXTERNAL VISUAL INSPECTION OF ELECTROMECHANICAL SWITCHES**

**ESCC Basic Specification No. 2053701**

Issue 2	April 2003
---------	------------



Document Custodian: European Space Agency - see <https://escies.org>

**LEGAL DISCLAIMER AND COPYRIGHT**

European Space Agency, Copyright © 2003. All rights reserved.

The European Space Agency disclaims any liability or responsibility, to any person or entity, with respect to any loss or damage caused, or alleged to be caused, directly or indirectly by the use and application of this ESCC publication.

This publication, without the prior permission of the European Space Agency and provided that it is not used for a commercial purpose, may be:

- copied in whole, in any medium, without alteration or modification.
- copied in part, in any medium, provided that the ESCC document identification, comprising the ESCC symbol, document number and document issue, is removed.

**DOCUMENTATION CHANGE NOTICE**

(Refer to <https://escies.org> for ESCC DCR content)

DCR No.	CHANGE DESCRIPTION
51	Specification upissued to incorporate editorial changes per DCR.

**TABLE OF CONTENTS**

<b><u>1.</u></b>	<b><u>SCOPE</u></b>	<b><u>5</u></b>
<b><u>2.</u></b>	<b><u>GENERAL REQUIREMENTS</u></b>	<b><u>5</u></b>
2.1	Applicability	5
2.2	Procedure	5
2.3	Magnification	5
2.4	Mounting Fixtures	5
<b><u>3.</u></b>	<b><u>DETAILED REQUIREMENTS</u></b>	<b><u>5</u></b>
3.1	General	5
3.2	Dimensions and Marking	5
3.3	Materials	6
3.4	Toggle Switches	6
3.4.1	Cases	6
3.4.2	Feedthroughs	6
3.4.3	Terminals	6
3.5	Sensitive Switches	6
3.5.1	Housing	6
3.5.2	Header	7
3.5.3	Terminals	7
<b><u>4.</u></b>	<b><u>FIGURES</u></b>	<b><u>7</u></b>
4.1	Figure 1: Fixation of metal Frame to Plastic Case	7
4.2	Figure 2: Cracks in the Rivet Joint of Lever Axle	8
4.3	Figure 3: Damaged Thread or Damaged Keyway	8
4.4	Figure 4: Terminal to Case Connection	9
4.5	Figure 5: Non-conductive Material on Terminals and Bent Terminals	9
4.6	Figure 6: Reduction on Terminals	10
4.7	Figure 7: Twisted Lever	10
4.8	Figure 8: Hole in Terminals	11
4.9	Figure 9: Burr on Terminals	11

## 1. **SCOPE**

This specification, to be read in conjunction with ESCC Basic Specification No. 20500, External Visual Inspection, contains additional requirements for Electromechanical Switches. They shall apply to each device inspected.

## 2. **GENERAL REQUIREMENTS**

### 2.1 **APPLICABILITY**

The following criteria may not be varied or modified after commencing any inspection stage. Any ambiguity or proposed minor deviation shall be referred to the ESCC Executive for resolution and approval.

### 2.2 **PROCEDURE**

All items shall be examined in such a manner that a minimum of handling and movement of the component is involved. During handling of components, lint free gloves/finger cots shall be used.

### 2.3 **MAGNIFICATION**

All items shall be examined using a binocular or stereoscopic microscope with a magnification of X1 to X10.

### 2.4 **MOUNTING FIXTURES**

Suitable fixtures may be used to assist in the inspection process. They must not themselves cause damage to the device.

## 3. **DETAILED REQUIREMENTS**

### 3.1 **GENERAL**

A component shall be rejected if it exhibits one or more of the defects listed in any of the following paragraphs of this specification. Where applicable, drawings are included to provide additional explanatory material, but they shall be considered as examples only.

The lot inspected shall be homogeneous. A component shall therefore also be rejected if it exhibits a significant deviation, within the limits of this specification, from the rest of the lot. However, such components shall not be counted as a failure in any other lot definition.

The external visual inspection includes the verification of:

- Dimensions.
- Marking
- Materials
- Mechanical Defects

### 3.2 **DIMENSIONS AND MARKING**

Dimensions and marking shall be inspected in accordance with the requirements of ESCC Basic Specification No. 20500.

All letters and numbers shall be clearly legible without the use of optical resources.

Dimensional tolerances, including those of pin diameter and pin spacing, shall be as specified in the relevant ESCC Detail Specification.

### 3.3 MATERIALS

The materials used shall be verified for conformance to the requirements of the applicable ESCC Detail Specification. The production records shall be checked to ensure that the specific material requirements are met.

### 3.4 TOGGLE SWITCHES

#### 3.4.1 Cases

- (a) Faulty or damaged fixation of metal frame to plastic case (see Figure 1).
- (b) Cracks in the rivet joint of lever axle (see Figure 2).
- (c) Damaged thread or damaged keyway which prevents from satisfactory mounting (see Figure 3).
- (d) Protruding burr greater than 0.4mm.
- (e) Potting compound on case (except bottom).
- (f) Evidence of corrosion.

#### 3.4.2 Feedthroughs

- (a) Terminal to case connection not completely covered by potting compound (see Figure 4).
- (b) Chip-outs in the potting compound.
- (c) Terminal tilted by more than 7°.

#### 3.4.3 Terminals

- (a) Nicks, grooves, or imprints reducing the terminal dimension in width or thickness by more than 20% of the relevant size (see Figure 6).
- (b) Terminals bent by more than 7° (see Figure 5).
- (c) Potting compound or other non-conductive material covers more than 2mm of the terminal (see Figure 5).
- (d) Terminals twisted by more than 10°.
- (e) Protruding burr greater than 0.2mm.
- (f) Evidence of corrosion.
- (g) Exposed base material in excess of 5% of the surface area anywhere on the lead, beyond a distance of 1.5mm from the case.

### 3.5 SENSITIVE SWITCHES

#### 3.5.1 Housing

- (a) Dents on or deformation of the membrane.
- (b) Deformation by shock exceeding 0.2mm.
- (c) Marks, burrs, dents on the welding joints.
- (d) Misalignment of lever.
- (e) Twisted lever (see Figure 7)  
if applicable:
- (f) Evidence of corrosion.
- (g) Dents on the roller.

- (h) Incorrect position of the keyway.
- (i) Damaged thread or damaged keyway which prevents satisfactory mounting.

3.5.2 Header

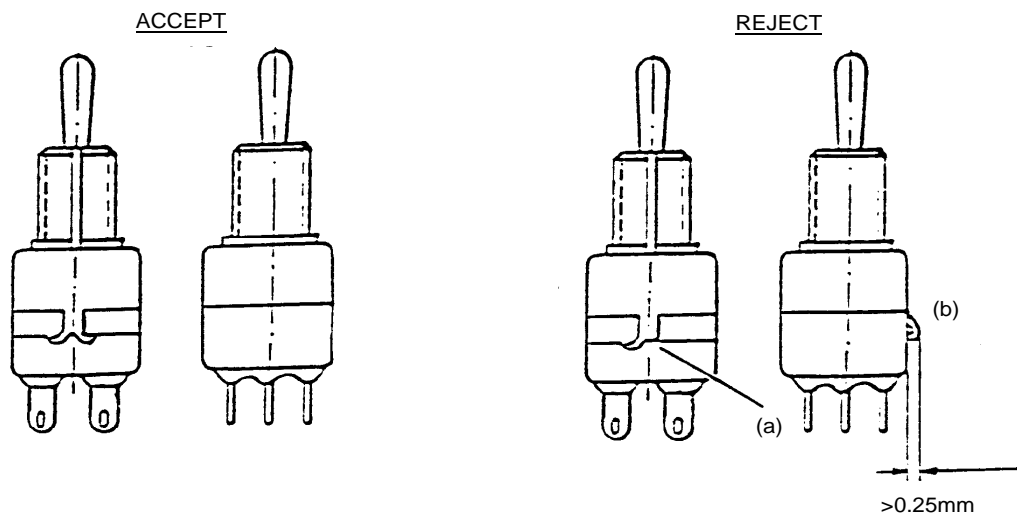
- (a) Open bubbles in the glass seal.
- (b) Foreign particles embedded in the glass seal.
- (c) Cracked or chipped glass seal.

3.5.3 Terminals

- (a) Residual terminal width smaller than 0.2mm (see Figure 8).
- (b) Protruding burr greater than 0.2mm (see Figure 9).
- (c) Non-conductive material covers more than 2mm of the terminal.
- (d) Terminals twisted by more than 10°.
- (e) Terminals bent by more than 7°.
- (f) Evidence of corrosion.
- (g) Exposed base material in excess of 5% of the surface area anywhere on the lead, beyond a distance of 1.5mm from the case.

4. **FIGURES**

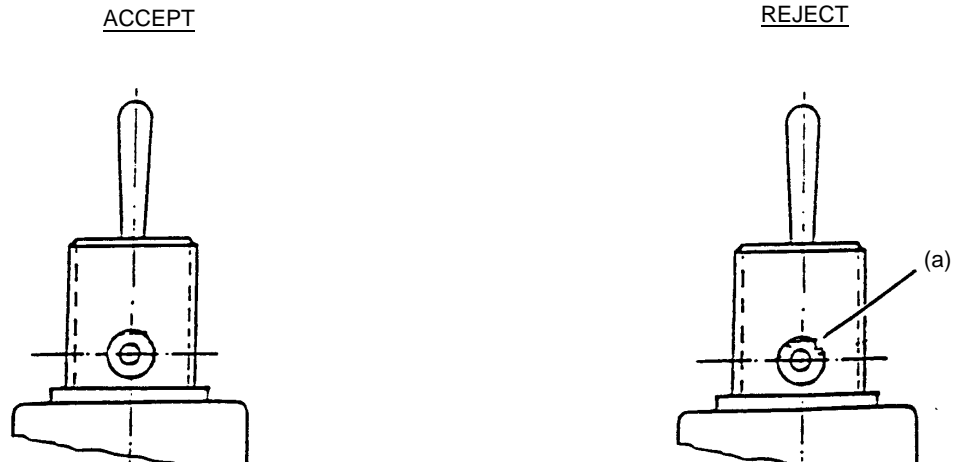
4.1 FIGURE 1: FIXATION OF METAL FRAME TO PLASTIC CASE



Cause for rejection

- (a) Damage fixation of metal frame to plastic case.
- (b) Faulty fixation of metal frame to plastic case.

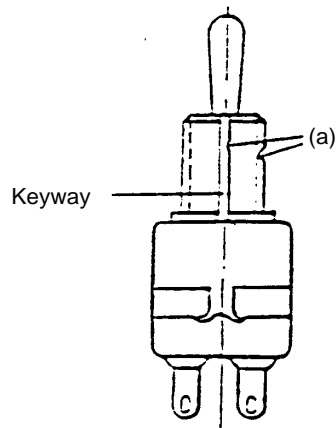
4.2 FIGURE 2: CRACKS IN THE RIVET JOINT OF LEVER AXLE



Cause for rejection

(a) Cracks.

4.3 FIGURE 3: DAMAGED THREAD OR DAMAGED KEYWAY



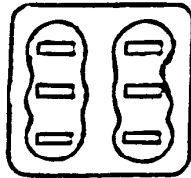
Cause for rejection

(a) Damaged thread or damaged keyway which prevents satisfactory mounting.

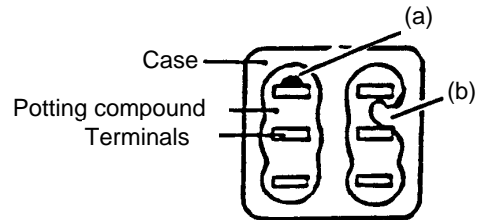


4.4 FIGURE 4: TERMINAL TO CASE CONNECTION

ACCEPT



REJECT

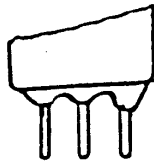


Cause for rejection

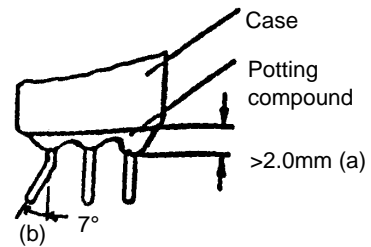
- (a) Voids.
- (b) Incomplete filling with the potting compound.

4.5 FIGURE 5: NON-CONDUCTIVE MATERIAL ON TERMINALS AND BENT TERMINALS

ACCEPT



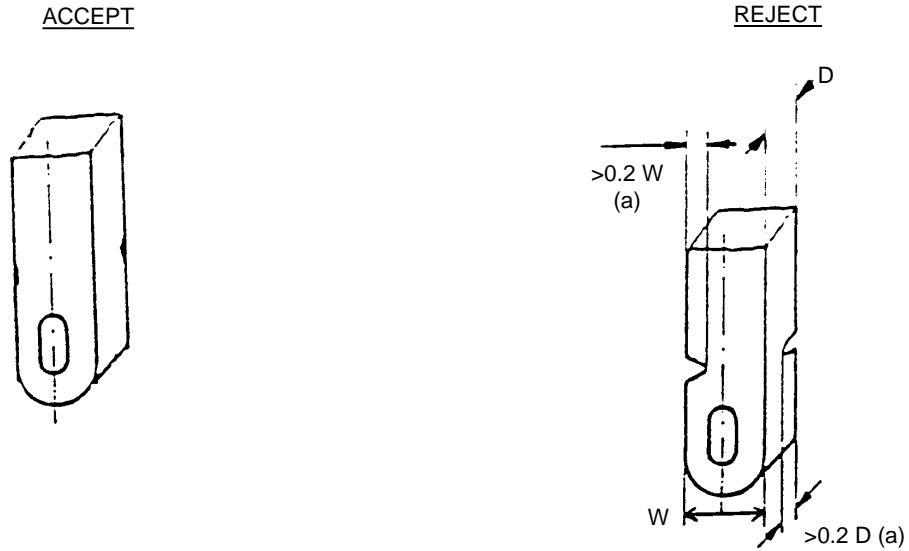
REJECT



Cause for rejection

- (a) Non-conductive material on the terminal beyond a distance of 2mm for potting seal.
- (b) Terminal bent by more than 7°.

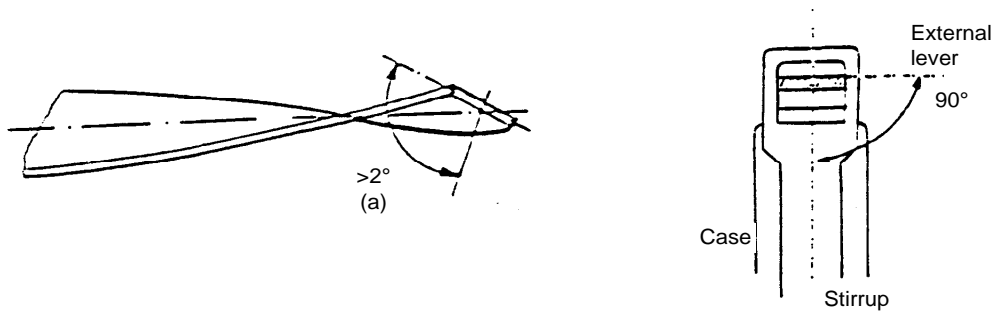
4.6 FIGURE 6: REDUCTION ON TERMINALS



Cause for rejection

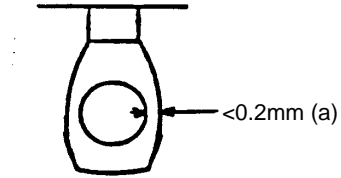
- (a) Reduction of more than 20% in terminal width or thickness.

4.7 FIGURE 7: TWISTED LEVER



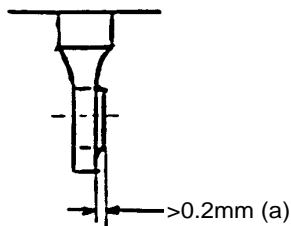
Cause for rejection

- (a) Lever twisted by more than 2°

4.8 FIGURE 8: HOLE IN TERMINALS

Cause for rejection

- (a) Eccentricity of hole passing through the terminal width of remaining material less than 0.2mm.

4.9 FIGURE 9: BURR ON TERMINALS

Cause for rejection

- (a) Protruding burr of hole greater than 0.2mm.