



Pages 1 to 13

TRANSISTORS, HIGH POWER, NPN

BASED ON TYPE 2N5672

ESCC Detail Specification No. 5203/004

Issue 3	September 2009
---------	----------------



Document Custodian: European Space Agency - see <https://escies.org>

LEGAL DISCLAIMER AND COPYRIGHT

European Space Agency, Copyright © 2009. All rights reserved.

The European Space Agency disclaims any liability or responsibility, to any person or entity, with respect to any loss or damage caused, or alleged to be caused, directly or indirectly by the use and application of this ESCC publication.

This publication, without the prior permission of the European Space Agency and provided that it is not used for a commercial purpose, may be:

- copied in whole, in any medium, without alteration or modification.
- copied in part, in any medium, provided that the ESCC document identification, comprising the ESCC symbol, document number and document issue, is removed.

DOCUMENTATION CHANGE NOTICE

(Refer to <https://escies.org> for ESCC DCR content)

DCR No.	CHANGE DESCRIPTION
447, 502	Specification up issued to incorporate editorial and technical changes per DCRs.

TABLE OF CONTENTS

1.	<u>GENERAL</u>	5
1.1	Scope	5
1.2	Applicable Documents	5
1.3	Terms, Definitions, Abbreviations, Symbols and Units	5
1.4	The ESCC Component Number and Component Type Variants	5
1.4.1	The ESCC Component Number	5
1.4.2	Component Type Variants	5
1.5	Maximum Ratings	5
1.6	Physical Dimensions and Terminal Identification	6
1.7	Functional Diagram	7
1.8	Materials and Finishes	7
2.	<u>REQUIREMENTS</u>	8
2.1	General	8
2.1.1	Deviations from the Generic Specification	8
2.1.1.1	Deviation from Screening Tests - Chart F3	8
2.2	Marking	8
2.3	Terminal Strength	8
2.4	Electrical Measurements at Room, High and Low Temperatures	8
2.4.1	Room Temperature Electrical Measurements	8
2.4.2	High and Low Temperatures Electrical Measurements	11
2.5	Parameter Drift Values	11
2.6	Intermediate and End-Point Electrical Measurements	12
2.7	Power Burn-in Conditions	12
2.8	Operating Life Conditions	12
	APPENDIX 'A'	13

1. GENERAL

1.1 SCOPE

This specification details the ratings, physical and electrical characteristics and test and inspection data for the component type variants and/or the range of components specified below. It supplements the requirements of, and shall be read in conjunction with, the ESCC Generic Specification listed under Applicable Documents.

1.2 APPLICABLE DOCUMENTS

The following documents form part of this specification and shall be read in conjunction with it:

- (a) ESCC Generic Specification No. 5000
- (b) MIL-STD-750, Test Methods and Procedures for Semiconductor Devices

1.3 TERMS, DEFINITIONS, ABBREVIATIONS, SYMBOLS AND UNITS

For the purpose of this specification, the terms, definitions, abbreviations, symbols and units specified in ESCC Basic Specification No. 21300 shall apply.

1.4 THE ESCC COMPONENT NUMBER AND COMPONENT TYPE VARIANTS

1.4.1 The ESCC Component Number

The ESCC Component Number shall be constituted as follows:

Example: 520300401

- Detail Specification Reference: 5203004
- Component Type Variant Number: 01 (as required)

1.4.2 Component Type Variants

The component type variants applicable to this specification are as follows:

Variant Number	Based on Type	Case	Lead/Terminal Material and Finish	Weight max g
01	2N5672	TO-3	D2	18
02	2N5672	TO-3	H7	18
03	2N5672	TO-3	H9	18

The lead/terminal material and finish shall be in accordance with the requirements of ESCC Basic Specification No. 23500.

1.5 MAXIMUM RATINGS

The maximum ratings shall not be exceeded at any time during use or storage. Maximum ratings shall only be exceeded during testing to the extent specified in this specification and when stipulated in Test Methods and Procedures of the ESCC Generic Specification.

Characteristics	Symbols	Maximum Ratings	Unit	Remarks
Collector-Base Breakdown Voltage	$V_{(BR)CBO}$	150	V	Over T_{op}
Collector-Emitter Breakdown Voltage	$V_{(BR)CEO}$	120	V	Over T_{op}
Emitter-Base Breakdown Voltage	$V_{(BR)EBO}$	7	V	Over T_{op}
Collector Current	I_C	30	A	
Base Current	I_B	10	A	
Power Dissipation	P_{tot}	140	W	At $T_{case} \leq +25^{\circ}C$
Thermal Resistance, Junction-to-Case	$R_{th(j-c)}$	1.25	$^{\circ}C/W$	
Operating Temperature Range	T_{op}	-65 to +200	$^{\circ}C$	Note 1
Storage Temperature Range	T_{stg}	-65 to +200	$^{\circ}C$	Note 1
Soldering Temperature	T_{sol}	+260	$^{\circ}C$	Note 2

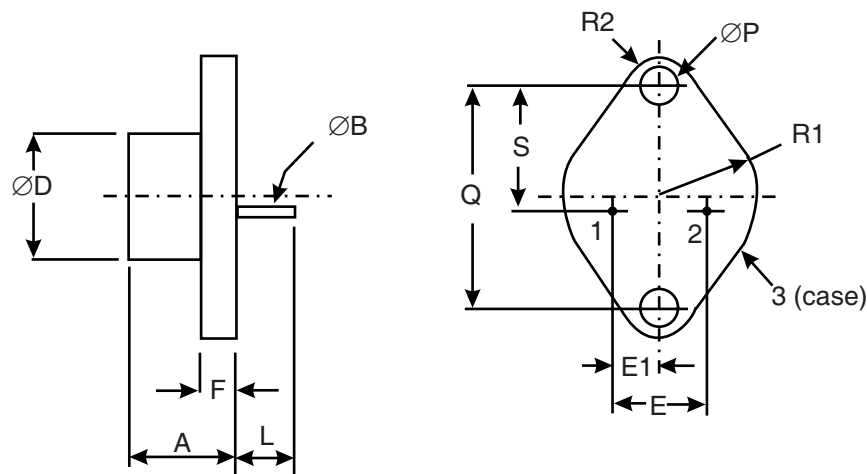
NOTES:

1. For Variants with tin-lead plating or hot solder dip lead finish all testing, and any handling, performed at $T_{amb} > +125^{\circ}C$ shall be carried out in a 100% inert atmosphere.
2. Duration 10 seconds maximum at a distance of not less than 1.5mm from the device body and the same lead shall not be resoldered until 3 minutes have elapsed.

1.6

PHYSICAL DIMENSIONS AND TERMINAL IDENTIFICATION

Metal Flange Mount Package (TO-3) - 2 lead



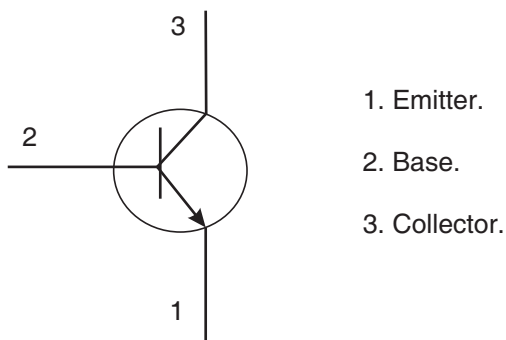
Symbols	Dimensions mm		Notes
	Min	Max	
A	6.35	11.43	
ØB	0.97	1.09	2

Symbols	Dimensions mm		Notes
	Min	Max	
ØD	-	22.23	
E	10.67	11.18	
E1	5.21	5.72	
F	1.27	3.43	
L	7.92	-	
ØP	3.84	4.09	3
Q	29.9	30.4	
R1	12.57	13.34	
R2	3.33	4.78	
S	16.54	17.15	

NOTES:

1. Terminal identification is specified by the component's geometry where Lead 1 = emitter, Lead 2 = base and Terminal 3 (case) = collector.
2. Applies to both leads.
3. Applies to both mounting holes.

1.7 FUNCTIONAL DIAGRAM



NOTES:

1. The collector is internally connected to the case.

1.8 MATERIALS AND FINISHES

Materials and finishes shall be as follows:

- a) Case
The case shall be hermetically sealed and have a metal body with hard glass seals.
- b) Leads/Terminals
As specified in Component Type Variants.

2. REQUIREMENTS

2.1 GENERAL

The complete requirements for procurement of the components specified herein are as stated in this specification and the ESCC Generic Specification. Permitted deviations from the Generic Specification, applicable to this specification only, are listed below.

Permitted deviations from the Generic Specification and this Detail Specification, formally agreed with specific Manufacturers on the basis that the alternative requirements are equivalent to the ESCC requirement and do not affect the component's reliability, are listed in the appendices attached to this specification.

2.1.1 Deviations from the Generic Specification

2.1.1.1 *Deviation from Screening Tests - Chart F3*

High Temperature Reverse Bias Burn-in and the subsequent Final Measurements for HTRB shall be omitted.

2.2 MARKING

The marking shall be in accordance with the requirements of ESCC Basic Specification No. 21700 and as follows.

The information to be marked on the component shall be:

- (a) The ESCC qualified components symbol (for ESCC qualified components only).
- (b) The ESCC Component Number.
- (c) Traceability information.

2.3 TERMINAL STRENGTH

The test conditions for terminal strength, tested as specified in the ESCC Generic Specification, shall be as follows:

Test condition A, tension, with an applied force of 10N for a duration of 10s.

2.4 ELECTRICAL MEASUREMENTS AT ROOM, HIGH AND LOW TEMPERATURES

Electrical measurements shall be performed at room, high and low temperatures.

2.4.1 Room Temperature Electrical Measurements

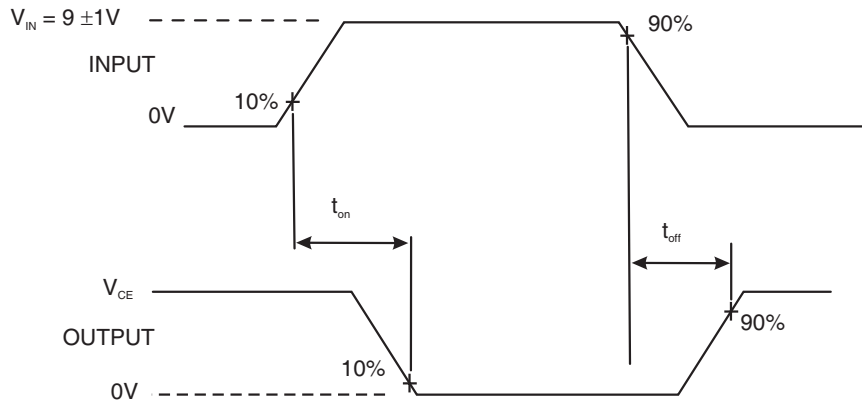
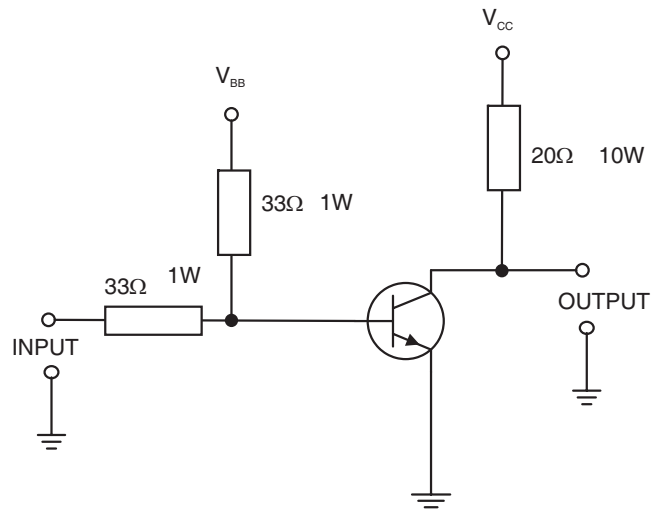
The measurements shall be performed at $T_{amb}=+22 \pm 3^{\circ}\text{C}$.

Characteristics	Symbols	MIL-STD-750 Test Method	Test Conditions	Limits		Units
				Min	Max	
Collector-Emitter Breakdown Voltage	$V_{(BR)CEO}$	3011	$I_C = 200mA$ Bias condition D Note 1	120	-	V
	$V_{(BR)CEX}$	3011	$I_C = 200mA$ $V_{BE} = -1.5V$ Bias condition C	150	-	V
	$V_{(BR)CER}$	3011	$I_C = 200mA$ $R_{BE} = 50\Omega$ Bias condition B	140	-	V
Collector-Emitter Cut-off Current	I_{CEX}	3041	$V_{CE} = 135V$ $V_{BE} = -1.5V$ Bias condition A	-	10	mA
	I_{CEO}	3041	$V_{CE} = 80V$ Bias condition D	-	10	mA
Emitter-Base Cut- off Current	I_{EBO}	3061	$V_{EB} = 7V$ Bias condition D	-	10	mA
Forward-Current Transfer Ratio	h_{FE1}	3076	$V_{CE} = 5V ; I_C = 20A$ Note 1	20	-	-
	h_{FE2}	3076	$V_{CE} = 2V ; I_C = 15A$ Note 1	20	100	-
Base-Emitter Voltage	V_{BE}	3020	$I_C = 15A$ $V_{CE} = 5V$ Note 1	-	1.6	V
Collector-Emitter Saturation Voltage	$V_{CE(sat)}$	3071	$I_C = 15A$ $I_B = 1.2A$ Note 1	-	750	mV
Base-Emitter Saturation Voltage	$V_{BE(sat)}$	3066	$I_C = 15A$ $I_B = 1.2A$ Test condition A Note 1	-	1.5	V
Magnitude of Small-Signal Short-Circuit Forward-Current Transfer Ratio	$ h_{fe} $	3306	$V_{CE} = 10V,$ $I_C = 2A$ $f = 5MHz$ Note 2	10	-	-
Output Capacitance	C_{obo}	3236	$V_{CB} = 10V,$ $I_E = 0A$ $f = 1MHz$ Note 2	-	900	pF

Characteristics	Symbols	MIL-STD-750 Test Method	Test Conditions	Limits		Units
				Min	Max	
Turn-on Time	t_{on}	3251	$I_C=15A,$ $I_{B1}=1.2A$ $I_{B2}=1.2A$ $V_{CC}=30 \pm 2V$ $V_{BB}=4 \pm 1V$ $V_{IN}=9 \pm 1V$ Test condition A Notes 2, 3	-	500	ns
Turn-off Time	t_{off}	3251	$I_C=15A,$ $I_{B1}=1.2A$ $I_{B2}=1.2A$ $V_{CC}=30 \pm 2V$ $V_{BB}=4 \pm 1V$ $V_{IN}=9 \pm 1V$ Test condition A Notes 2, 3	-	1.5	μs

NOTES:

1. Pulsed measurement: Pulse Width $\leq 300\mu s$, Duty Cycle $\leq 2\%$.
2. For AC characteristics read and record measurements shall be performed on a sample of 32 components with 0 failures allowed. Alternatively a 100% inspection may be performed.
3. t_{on} and t_{off} shall be measured using the following test circuit. The input waveform shall be supplied by a pulse generator with the following characteristics: $t_r=t_f \leq 20ns$, Pulse Width = $20\mu s$, Duty Cycle = 2% . The output sampling oscilloscope shall have the characteristics $Z_{IN} \geq 100k\Omega$, $C_{IN} \leq 50pF$ and $t_r \leq 20ns$. Adjustment of V_{IN} shall be made with a suitable current probe to achieve the specified I_{B1} and I_{B2} test conditions, where I_{B1} is the on-state base current and I_{B2} is the post off-state base current.



2.4.2 High and Low Temperatures Electrical Measurements

Characteristics	Symbols	MIL-STD-750 Test Method	Test Conditions Note 1	Limits		Units
				Min	Max	
Collector-Emitter Cut-off Current	I_{CEX}	3041	$T_{case}=+150(+0 -5)^{\circ}C$ $V_{CE} = 100V$ $V_{BE}=-1.5V$ Bias condition A	-	10	mA

NOTES:

1. Read and record measurements shall be performed on a sample of 5 components with 0 failures allowed. Alternatively a 100% inspection may be performed.

2.5 PARAMETER DRIFT VALUES

Unless otherwise specified, the measurements shall be performed at $T_{amb}=+22 \pm 3^{\circ}C$.

The test methods and test conditions shall be as per the corresponding test defined in Room Temperature Electrical Measurements.

The drift values (Δ) shall not be exceeded for each characteristic specified. The corresponding absolute limit values for each characteristic shall not be exceeded.

Characteristics	Symbols	Limits		Units	
		Drift Value Δ	Absolute		
			Min		Max
Collector-Emitter Cut-off Current	I_{CEO}	± 500 or (1) $\pm 100\%$	-	10000	μA
Forward-Current Transfer Ratio 2	h_{FE2}	$\pm 15\%$	20	100	-
Collector-Emitter Saturation Voltage	$V_{CE(sat)}$	$\pm 15\%$	-	750	mV

NOTES:

1. Whichever is greater, referred to the initial value.

2.6 INTERMEDIATE AND END-POINT ELECTRICAL MEASUREMENTS

Unless otherwise specified, the measurements shall be performed at $T_{amb} = +22 \pm 3^{\circ}C$.

The test methods and test conditions shall be as per the corresponding test defined in Room Temperature Electrical Measurements.

The limit values for each characteristic shall not be exceeded.

Characteristics	Symbols	Limits		Units
		Min	Max	
Collector-Emitter Cut-off Current	I_{CEO}	-	10	mA
Forward-Current Transfer Ratio 2	h_{FE2}	20	100	-
Collector-Emitter Saturation Voltage	$V_{CE(sat)}$	-	750	mV

2.7 POWER BURN-IN CONDITIONS

Characteristics	Symbols	Conditions	Units
Case Temperature	T_{case}	+100 (+0 -5)	$^{\circ}C$
Power Dissipation	P_{tot}	As per Maximum Ratings. Derate P_{tot} at the specified T_{case} using the specified $R_{th(j-c)}$.	W
Collector-Base Voltage	V_{CB}	20	V

2.8 OPERATING LIFE CONDITIONS

The conditions shall be as specified for Power Burn-in.

APPENDIX 'A'**AGREED DEVIATIONS FOR STMICROELECTRONICS (F)**

ITEMS AFFECTED	DESCRIPTION OF DEVIATIONS
Deviations from Room Temperature Electrical Measurements	All AC characteristics (Room Temperature Electrical Measurement Note 2) may be considered guaranteed but not tested if successful pilot lot testing has been performed on the wafer lot which includes AC characteristic measurements per the Detail Specification. A summary of the pilot lot testing shall be provided if required by the Purchase Order.
Deviations from High and Low Temperatures Electrical Measurements	All characteristics specified may be considered guaranteed but not tested if successful pilot lot testing has been performed on the wafer lot which includes characteristic measurements at high and low temperatures per the Detail Specification. A summary of the pilot lot testing shall be provided if required by the Purchase Order.
Deviations from Screening Tests - Chart F3	Solderability is not applicable unless specifically stipulated in the Purchase Order.