



**CONNECTORS, ELECTRICAL, FILTERED,  
RECTANGULAR,  
NON-REMOVABLE SOLDER BUCKET CONTACTS  
BASED ON TYPE D\*J**

**ESCC Detail Specification No. 3405/001**

Issue 2	February 2013
---------	---------------



**LEGAL DISCLAIMER AND COPYRIGHT**

European Space Agency, Copyright © 2013. All rights reserved.

The European Space Agency disclaims any liability or responsibility, to any person or entity, with respect to any loss or damage caused, or alleged to be caused, directly by the use and application of this ESCC publication.

This publication, without prior permission of the European Space Agency and provided it is not used for a commercial purpose, may be:

- copied in whole, in any medium, without alteration or modification.
- copied in part, in any medium, provided that the ESCC document identification, comprising the ESCC symbol, document number and document issue, is removed.

**DOCUMENTATION CHANGE NOTICE**

(Refer to <https://escies.org> for ESCC DCR content)

DCR No.	CHANGE DESCRIPTION
750	Specification updated to incorporate editorial changes per DCR.

**TABLE OF CONTENTS**

1	GENERAL	6
1.1	SCOPE	6
1.2	TYPE VARIANTS	6
1.3	MAXIMUM RATINGS	6
1.4	PARAMETER DERATING INFORMATION	6
1.5	PHYSICAL DIMENSIONS	6
2	APPLICABLE DOCUMENTS	19
3	TERMS, DEFINITIONS, ABBREVIATIONS, SYMBOLS AND UNITS	20
4	REQUIREMENTS	20
4.1	GENERAL	20
4.2	DEVIATIONS FROM GENERIC SPECIFICATION	20
4.2.1	Deviations from Special In-process Controls	20
4.2.2	Deviations from Final Production Tests (Chart II)	20
4.2.3	Deviations from Burn-in and Electrical Measurements (Chart III)	20
4.2.4	Deviations from Qualification Tests (Chart IV)	20
4.2.5	Deviations from Lot Acceptance Tests (Chart V)	20
4.3	MECHANICAL REQUIREMENTS	20
4.3.1	Dimension Check	20
4.3.2	Weight	20
4.3.3	Contact Capability	21
4.3.4	Contact Retention (In Insert)	21
4.3.5	Mating and Unmating Forces	21
4.3.6	Insert Retention (In Shell)	21
4.3.7	Engagement and Separation Forces	21
4.3.8	Oversize Pin Exclusion	21
4.3.9	Probe Damage	21
4.3.10	Solderability	21
4.4	MATERIALS AND FINISHES	21
4.4.1	Shells	21
4.4.2	Inserts	22
4.4.3	Contacts	22
4.4.4	Ground Plane	22
4.4.5	Guiding and Locking Devices	22
4.5	MARKING	22
4.5.1	General	22

4.5.2	Contact Identification	22
4.5.3	The ESCC Component Number	22
4.5.4	Characteristics	22
4.5.5	Traceability Information	23
4.6	ELECTRICAL MEASUREMENTS	23
4.6.1	Electrical Measurements at Room Temperature	23
4.6.2	Electrical Measurements at High and Low Temperatures (Table 3)	23
4.6.3	Circuits for Electrical Measurements (Figure 4)	23
4.7	BURN-IN AND ELECTRICAL MEASUREMENTS (TABLES 4 AND 5)	23
4.8	ENVIRONMENTAL AND ENDURANCE TESTS	25
4.8.1	Measurements and Inspections on Completion of Environmental Tests	25
4.8.2	Measurements and Inspections at Intermediate Points during Endurance Tests	26
4.8.3	Measurements and Inspections on Completion of Endurance Tests	26
4.8.4	Conditions for Operating Life Test (Part of Endurance Testing)	26
4.8.5	Electrical Circuits for Operating Life Test	26
4.8.6	Conditions for High Temperature Storage Test (Part of Endurance Testing)	26

## 1 GENERAL

### 1.1 SCOPE

This specification details the ratings, physical and electrical characteristics, test and inspection data for Connectors, Electrical, Filtered, Rectangular, with Non-Removable Solder Bucket Contacts, Based on Type D\*J. It shall be read in conjunction with:

- ESCC Generic Specification No. 3405, Connectors, Electrical, Filtered, Circular and Rectangular,
- ESCC Detail Specification No. 3401/022, Accessories for Rectangular Connectors 3401/001, 3401/002 and Connector Savers 3401/020,

the requirements of which are supplemented herein.

### 1.2 TYPE VARIANTS

The different sizes of the connectors specified herein, which are also covered by this specification, together with their electrical and mechanical characteristics, are given in Table 1(a).

### 1.3 MAXIMUM RATINGS

The maximum ratings, which shall not be exceeded at any time during use or storage, applicable to the connectors specified herein, are scheduled in Table 1(b).

### 1.4 PARAMETER DERATING INFORMATION

The applicable derating information for the connectors specified herein is shown in Figure 1.

### 1.5 PHYSICAL DIMENSIONS

The physical dimensions of the connectors specified herein are shown in Figure 2.

**TABLE 1(a) – TYPE VARIANTS**

Type Variant	No. of Contacts	Shell Size	Contact Type	Max. Weight (g)	Mating Force (N Max.)	Unmating Force	
						N Min.	N Max.
01	9	E	Male	12	30	3.5	20
02	9	E	Female	13.5	30	3.5	20
03	15	A	Male	18.5	50	4.5	34
04	15	A	Female	20.5	50	4.5	34
05	25	B	Male	28	83	8	55
06	25	B	Female	31	83	8	55
07	37	C	Male	38.5	123	11	83
08	37	C	Female	42	123	11	83
09	50	D	Male	47	166	14.5	120
10	50	D	Female	51	166	14.5	120

**FILTER ARRANGEMENTS – VARIANTS 01, 02**

Sub-Variants	Contact Position								
	1	2	3	4	5	6	7	8	9
100	L	L	L	L	L	L	L	L	L
101	M	M	M	M	M	M	M	M	M
102	S	S	S	S	S	S	S	S	S
103	H	H	H	H	H	H	H	H	H
104	G	NF	G	NF	G	NF	G	NF	G
105	L	L	M	S	S	L	M	M	H

**NOTES:**

1. L = Low Frequency, M = Medium Frequency, S = Standard Frequency, H = High Frequency, NF = Non-filtered Contact, G = Grounded Contact.

**FILTER ARRANGEMENTS – VARIANTS 03, 04**

Sub-Variants	Contact Position														
	1	2	3	4	5	6	7	8	9	10	11	12	13	14	15
100	L	L	L	L	L	L	L	L	L	L	L	L	L	L	L
101	M	M	M	M	M	M	M	M	M	M	M	M	M	M	M
102	S	S	S	S	S	S	S	S	S	S	S	S	S	S	S
103	H	H	H	H	H	H	H	H	H	H	H	H	H	H	H

**NOTES:**

1. L = Low Frequency, M = Medium Frequency, S = Standard Frequency, H = High Frequency.

**FILTER ARRANGEMENTS – VARIANTS 05, 06**

Sub-Variants	Contact Position																								
	1	2	3	4	5	6	7	8	9	10	11	12	13	14	15	16	17	18	19	20	21	22	23	24	25
100	L	L	L	L	L	L	L	L	L	L	L	L	L	L	L	L	L	L	L	L	L	L	L	L	L
101	M	M	M	M	M	M	M	M	M	M	M	M	M	M	M	M	M	M	M	M	M	M	M	M	M
102	S	S	S	S	S	S	S	S	S	S	S	S	S	S	S	S	S	S	S	S	S	S	S	S	S
103	H	H	H	H	H	H	H	H	H	H	H	H	H	H	H	H	H	H	H	H	H	H	H	H	H
104	L	L	L	L	M	M	M	M	M	S	S	H	H	L	L	L	L	M	M	M	M	S	S	H	H

**NOTES:**

1. L = Low Frequency, M = Medium Frequency, S = Standard Frequency, H = High Frequency.

**FILTER ARRANGEMENTS – VARIANTS 07, 08**

Sub-Variants	Contact Position																			
	1	2	3	4	5	6	7	8	9	10	11	12	13	14	15	16	17	18	19	20
100	L	L	L	L	L	L	L	L	L	L	L	L	L	L	L	L	L	L	L	L
101	M	M	M	M	M	M	M	M	M	M	M	M	M	M	M	M	M	M	M	M
102	S	S	S	S	S	S	S	S	S	S	S	S	S	S	S	S	S	S	S	S
103	H	H	H	H	H	H	H	H	H	H	H	H	H	H	H	H	H	H	H	H

Sub-Variants	Contact Position																
	21	22	23	24	25	26	27	28	29	30	31	32	33	34	35	36	37
100	L	L	L	L	L	L	L	L	L	L	L	L	L	L	L	L	L
101	M	M	M	M	M	M	M	M	M	M	M	M	M	M	M	M	M
102	S	S	S	S	S	S	S	S	S	S	S	S	S	S	S	S	S
103	H	H	H	H	H	H	H	H	H	H	H	H	H	H	H	H	H

**NOTES:**

1. L = Low Frequency, M = Medium Frequency, S = Standard Frequency, H = High Frequency.



**FILTER ARRANGEMENTS – VARIANTS 09, 10**

Sub-Variants	Contact Position																								
	1	2	3	4	5	6	7	8	9	10	11	12	13	14	15	16	17	18	19	20	21	22	23	24	25
100	L	L	L	L	L	L	L	L	L	L	L	L	L	L	L	L	L	L	L	L	L	L	L	L	L
101	M	M	M	M	M	M	M	M	M	M	M	M	M	M	M	M	M	M	M	M	M	M	M	M	M
102	S	S	S	S	S	S	S	S	S	S	S	S	S	S	S	S	S	S	S	S	S	S	S	S	S
103	H	H	H	H	H	H	H	H	H	H	H	H	H	H	H	H	H	H	H	H	H	H	H	H	H
104	L	L	L	L	L	L	M	M	M	M	M	M	S	S	H	H	H	L	L	L	L	L	M	M	M

Sub-Variants	Contact Position																								
	26	27	28	29	30	31	32	33	34	35	36	37	38	39	40	41	42	43	44	45	46	47	48	49	50
100	L	L	L	L	L	L	L	L	L	L	L	L	L	L	L	L	L	L	L	L	L	L	L	L	L
101	M	M	M	M	M	M	M	M	M	M	M	M	M	M	M	M	M	M	M	M	M	M	M	M	M
102	S	S	S	S	S	S	S	S	S	S	S	S	S	S	S	S	S	S	S	S	S	S	S	S	S
103	H	H	H	H	H	H	H	H	H	H	H	H	H	H	H	H	H	H	H	H	H	H	H	H	H
104	M	M	S	S	S	H	H	H	L	L	L	L	L	M	M	M	M	M	S	S	S	H	H	H	H

**NOTES:**

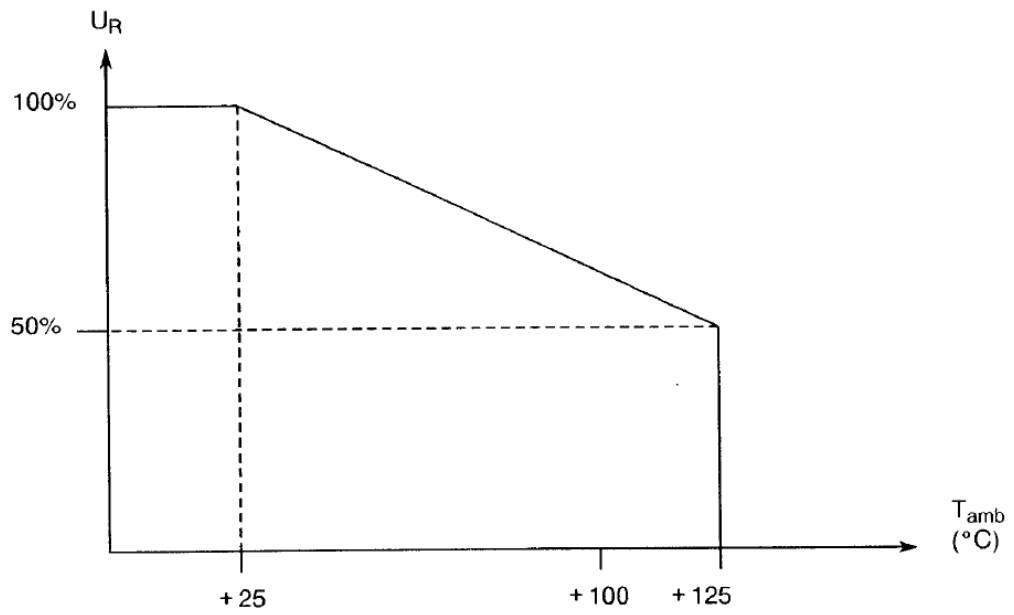
1. L = Low Frequency, M = Medium Frequency, S = Standard Frequency, H = High Frequency.

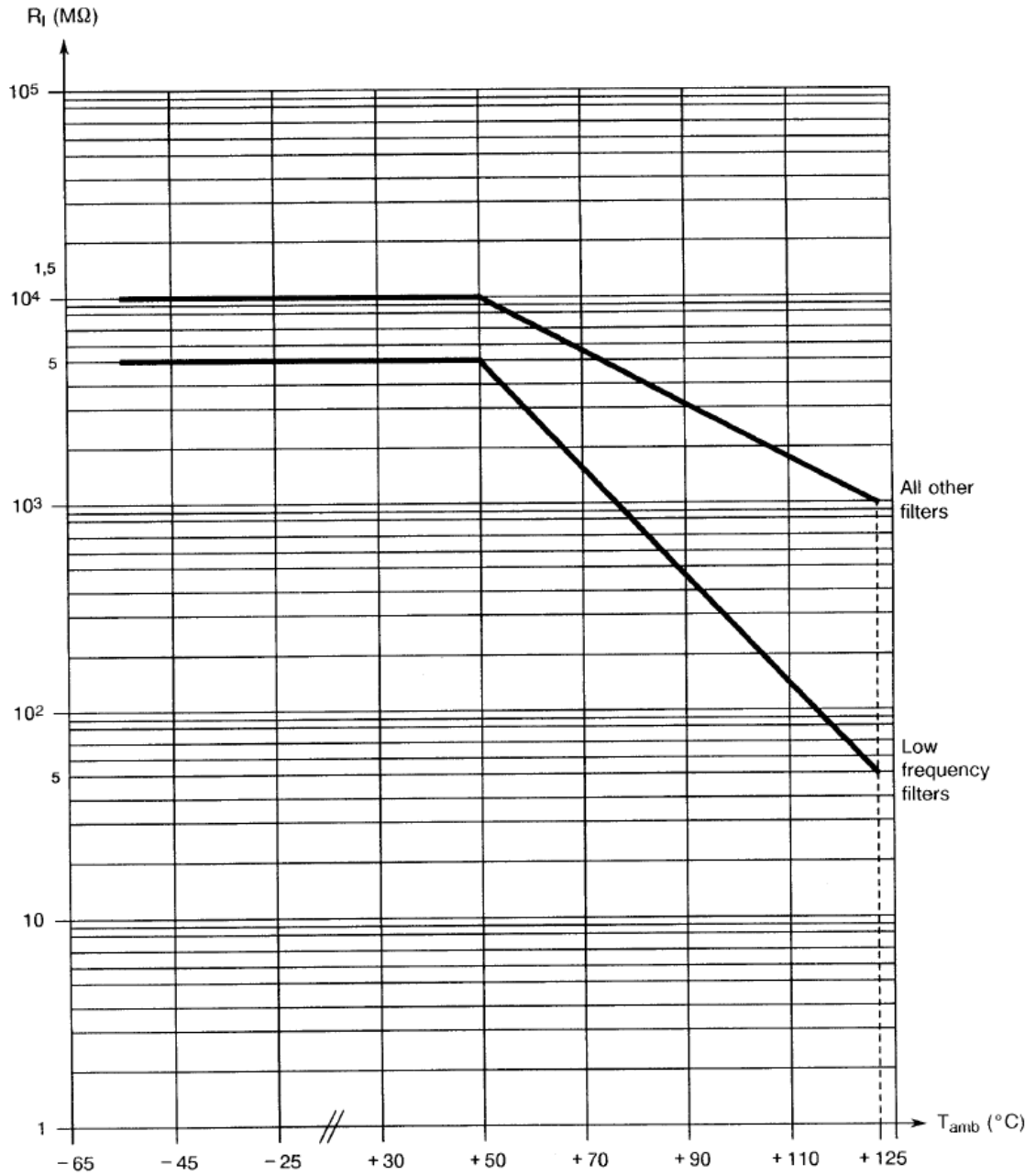
**TABLE 1(b) – MAXIMUM RATINGS**

No.	Characteristics	Symbol	Maximum Rating		Unit
			Min.	Max.	
1	Rated/Working Voltage Low Frequency Medium, Standard, High Frequency Non-filtered Grounded	$U_R$	-	100 200 300 Not applicable	Vdc
2	Rated Current	$I_R$	-	5	Adc
3	Capacitor ac Rated Current	$I_{Rac}$	-	250	mArms
4	Operating Temperature Range	$T_{op}$	-55	+125	°C
5	Storage Temperature Range	$T_{stg}$	-65	+125	°C
6	Soldering Temperature	$T_{sol}$	-	+260 (1)	°C

**NOTES:**

1. Duration 10 seconds minimum and the same contact shall not be resoldered until 3 minutes have elapsed.

**FIGURE 1 – PARAMETER DERATING INFORMATION**Filtered Contacts Rated Voltage versus Temperature

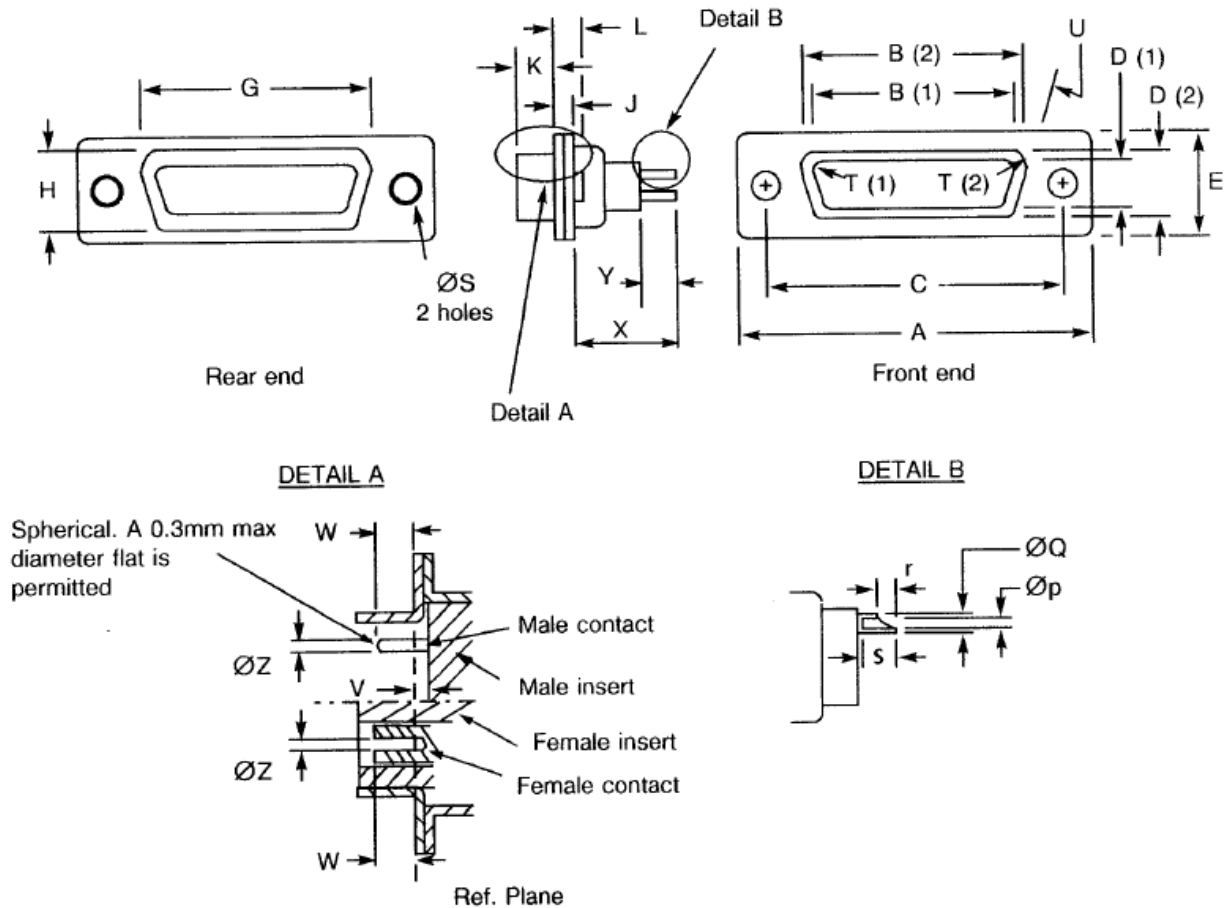


Filtered Contacts Insulation Resistance versus Temperature

**FIGURE 2 – PHYSICAL DIMENSIONS**

**FIGURE 2(a) – RECEPTACLES AND PLUGS**

**VARIANTS 01, 02 – SHELL SIZE E**

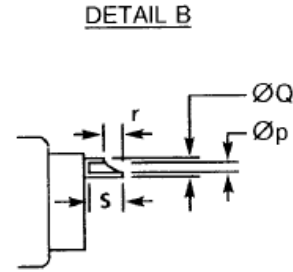
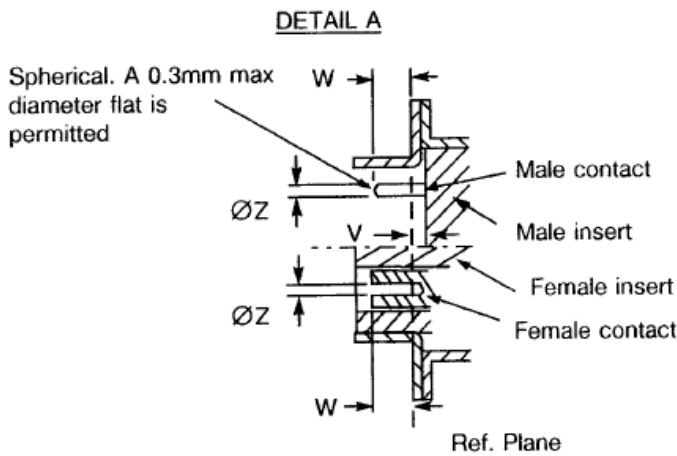
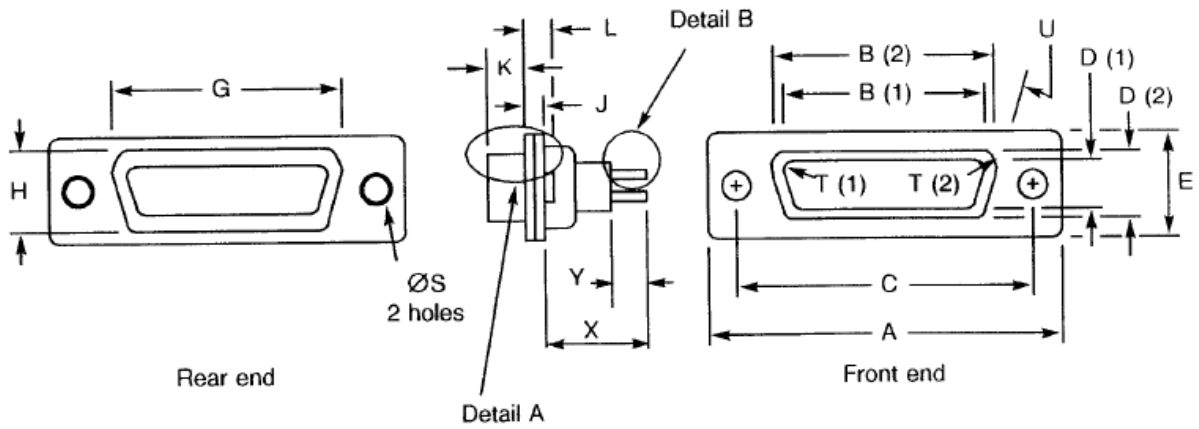


**NOTES:**

1. Inside dimension for connectors with male contacts.
2. Outside dimension for connectors with female contacts.
3. All dimensions are in millimetres (angles in degrees).
4. Underlined dimensions, in table, are critical to ensure intermateability.

Variants	Symbol/ Dim.	A	<u>B</u>	<u>C</u>	<u>D</u>	E	G	H	J	<u>K</u>	L	$\varnothing S$	<u>I</u>	<u>U</u>	<u>V</u>	W	X	Y	<u><math>\varnothing Z</math></u>	$\varnothing p$	$\varnothing Q$	r	s
01	Min.	30.43	16.79	24.87	8.23	12.17	19.02	10.46	0.51	5.82	0.89	2.92	2.59	9	0	4.03	-	4.5	0.99	1.1	1.45	1.85	2.4
	Max.	31.19	17.04	25.12	8.48	12.93	19.53	10.97	1.02	6.13	1.52	3.2	2.69	11	0.4	-	22	-	1.04	1.15	1.51	2.15	-
02	Min.	30.43	16.21	24.87	7.77	12.17	19.02	10.46	0.51	5.87	0.89	2.92	2.46	9	-	3.63	-	4.5	1.07	1.1	1.45	1.85	2.4
	Max.	31.19	16.46	25.12	8.03	12.93	19.53	10.97	1.02	6.3	1.52	3.2	2.62	11	-	-	22	-	1.14	1.15	1.51	2.15	-

**VARIANTS 03, 04 – SHELL SIZE A**

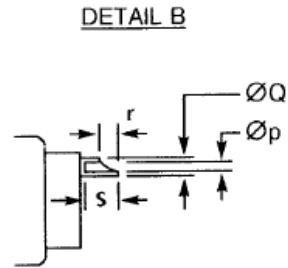
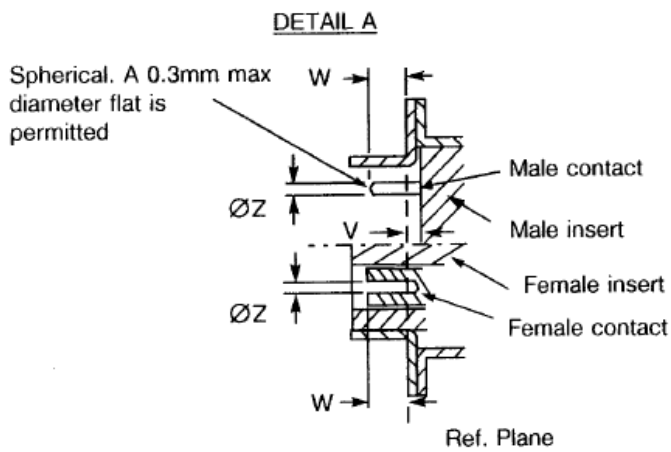
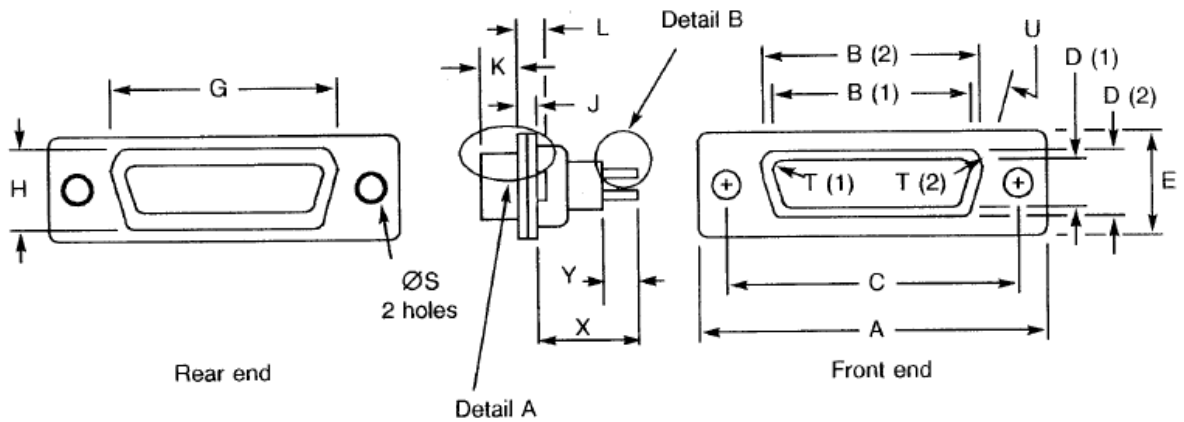


**NOTES:**

1. Inside dimension for connectors with male contacts.
2. Outside dimension for connectors with female contacts.
3. All dimensions are in millimetres (angles in degrees).
4. Underlined dimensions, in table, are critical to ensure intermateability.

Variants	Symbol/ Dim.	<u>A</u>	<u>B</u>	<u>C</u>	<u>D</u>	E	G	H	J	<u>K</u>	L	ØS	<u>I</u>	<u>U</u> <sup>o</sup>	<u>V</u>	W	X	Y	<u>ØZ</u>	Øp	ØQ	r	s
03	Min.	38.76	25.12	33.2	8.23	12.17	27.25	10.46	0.51	5.82	0.89	2.92	2.59	9	0	4.03	-	4.5	0.99	1.1	1.45	1.85	2.4
	Max.	39.52	25.37	33.45	8.48	12.93	27.76	10.97	1.02	6.13	1.52	3.2	2.69	11	0.4	-	22	-	1.04	1.15	1.51	2.15	-
04	Min.	38.76	24.54	33.2	7.77	12.17	27.25	10.46	0.51	5.87	0.89	2.92	2.46	9	-	3.63	-	4.5	1.07	1.1	1.45	1.85	2.4
	Max.	39.52	24.79	33.45	8.03	12.93	27.76	10.97	1.02	6.3	1.52	3.2	2.62	11	-	-	22	-	1.14	1.15	1.51	2.15	-

**VARIANTS 05, 06 – SHELL SIZE B**

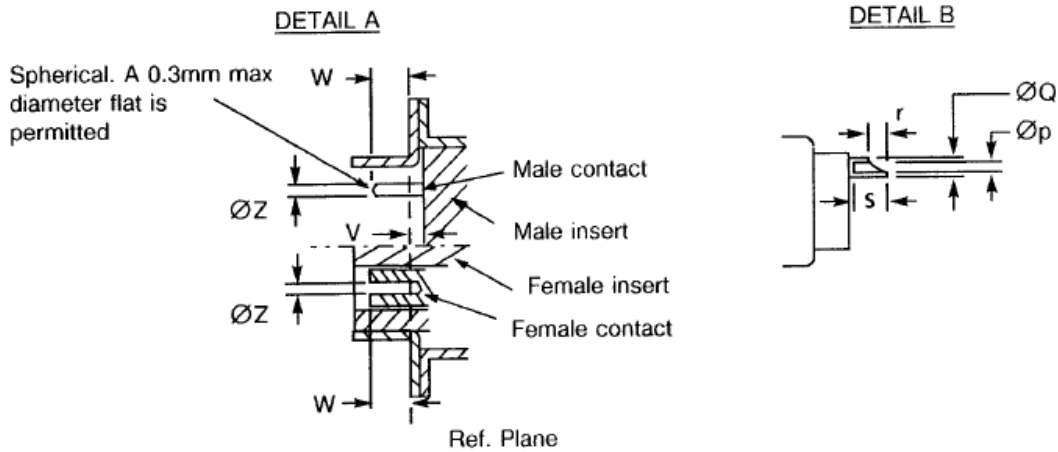
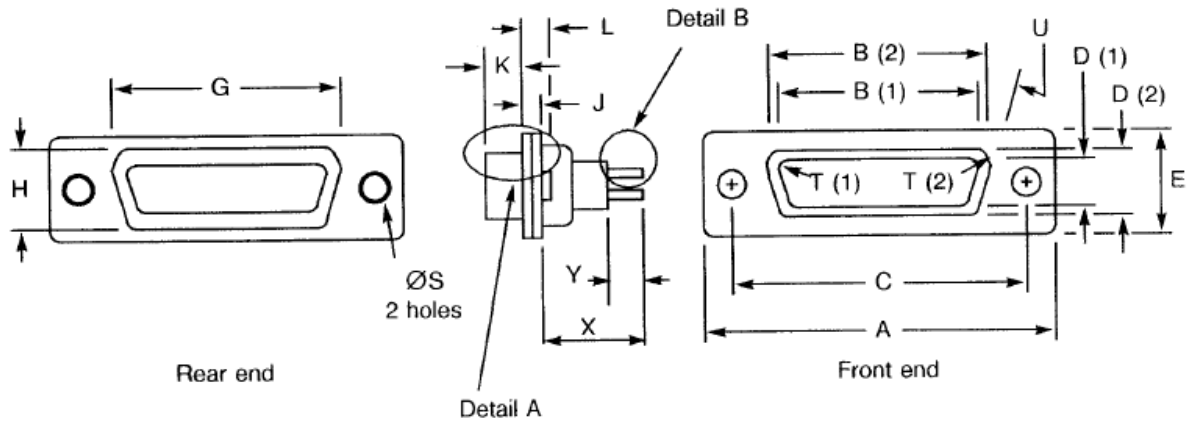


**NOTES:**

1. Inside dimension for connectors with male contacts.
2. Outside dimension for connectors with female contacts.
3. All dimensions are in millimetres (angles in degrees).
4. Underlined dimensions, in table, are critical to ensure intermateability.

Variants	Symbol/ Dim.	<u>A</u>	<u>B</u>	<u>C</u>	<u>D</u>	E	G	H	J	<u>K</u>	L	ØS	<u>I</u>	<u>U</u> <sup>o</sup>	<u>V</u>	W	X	Y	<u>ØZ</u>	Øp	ØQ	r	s
05	Min.	52.65	38.84	46.91	8.23	12.17	41.02	10.46	0.51	5.69	1.05	2.92	2.59	9	0	3.81	-	4.5	0.99	1.1	1.45	1.85	2.4
	Max.	53.42	39.09	47.17	8.48	12.93	41.53	10.97	1.24	6.13	1.78	3.2	2.69	11	0.6	-	22	-	1.04	1.15	1.51	2.15	-
06	Min.	52.65	38.25	46.91	7.77	12.17	41.02	10.46	0.51	5.87	0.89	2.92	2.46	9	-	3.63	-	4.5	1.07	1.1	1.45	1.85	2.4
	Max.	53.42	38.51	47.17	8.03	12.93	41.53	10.97	1.02	6.3	1.52	3.2	2.62	11	-	-	22	-	1.14	1.15	1.51	2.15	-

**VARIANTS 07, 08 – SHELL SIZE C**



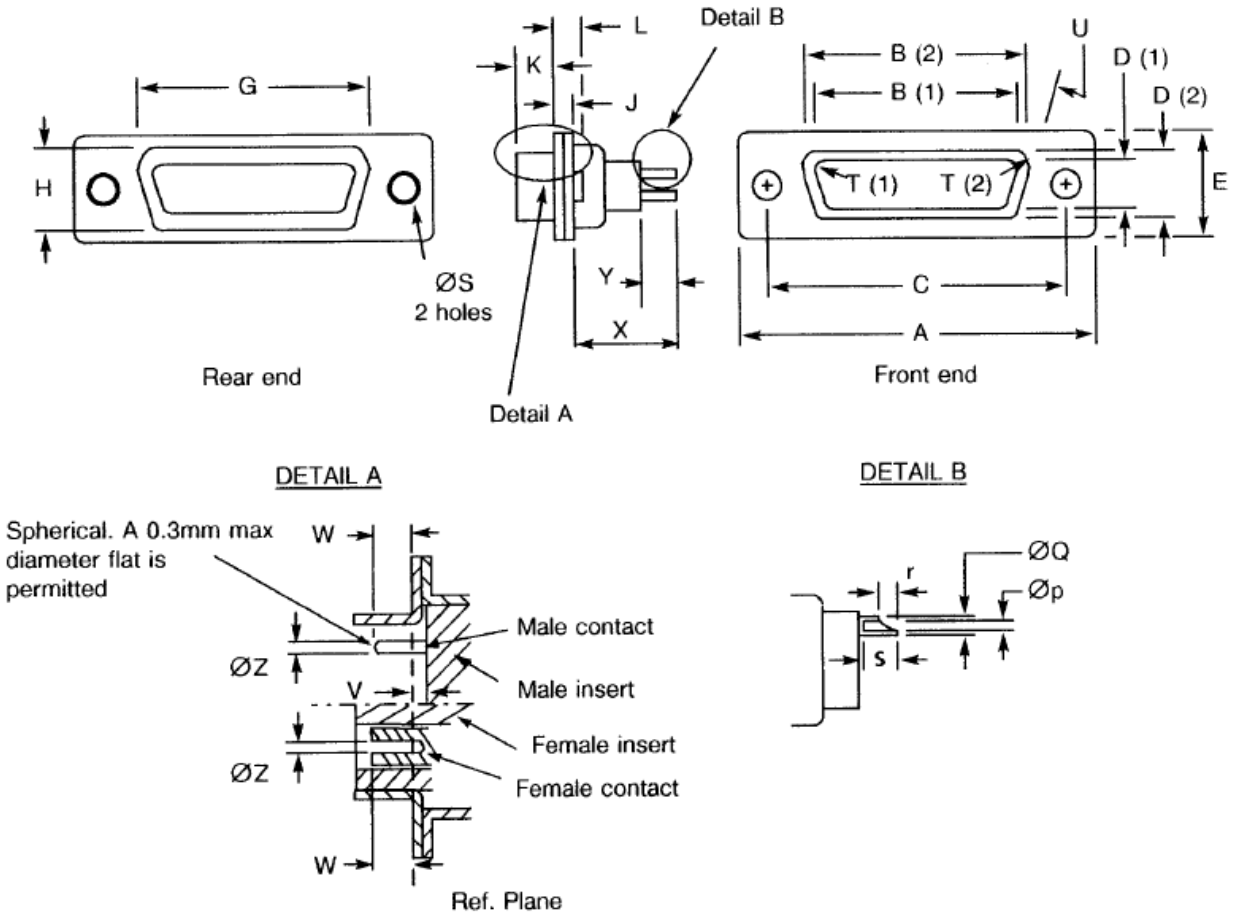
**NOTES:**

1. Inside dimension for connectors with male contacts.
2. Outside dimension for connectors with female contacts.
3. All dimensions are in millimetres (angles in degrees).
4. Underlined dimensions, in table, are critical to ensure intermateability.

Variants	Symbol/ Dim.	A	<u>B</u>	<u>C</u>	<u>D</u>	E	G	H	J	<u>K</u>	L	ØS	<u>I</u>	<u>U</u> °	<u>V</u>	W	X	Y	<u>ØZ</u>	Øp	ØQ	r	s
07	Min.	68.94	55.3	63.37	8.23	12.17	57.45	10.46	0.51	5.69	1.05	2.92	2.59	9	0	3.81	-	4.5	0.99	1.1	1.45	1.85	2.4
	Max.	69.7	55.55	63.63	8.48	12.93	57.96	10.97	1.24	6.13	1.78	3.2	2.69	11	0.6	-	22	-	1.04	1.15	1.51	2.15	-
08	Min.	68.94	54.71	63.37	7.77	12.17	57.45	10.46	0.51	5.87	0.89	2.92	2.46	9	-	3.63	-	4.5	1.07	1.1	1.45	1.85	2.4
	Max.	69.7	54.97	63.63	8.03	12.93	57.96	10.97	1.02	6.3	1.52	3.2	2.62	11	-	-	22	-	1.14	1.15	1.51	2.15	-



VARIANTS 09, 10 – SHELL SIZE D



**NOTES:**

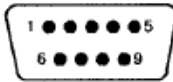
1. Inside dimension for connectors with male contacts.
2. Outside dimension for connectors with female contacts.
3. All dimensions are in millimetres (angles in degrees).
4. Underlined dimensions, in table, are critical to ensure intermateability.

Variants	Symbol/ Dim.	A	<u>B</u>	<u>C</u>	<u>D</u>	E	G	H	J	<u>K</u>	L	ØS	I	<u>U°</u>	V	W	X	Y	<u>ØZ</u>	Øp	ØQ	r	s
09	Min.	66.55	52.68	60.99	10.95	14.99	55.07	13.31	0.51	5.69	1.05	2.92	2.59	9	0	3.81	-	4.5	0.99	1.1	1.45	1.85	2.4
	Max.	67.31	52.93	61.24	11.33	15.75	55.58	13.82	1.24	6.13	1.78	3.2	2.69	11	0.6	-	22	-	1.04	1.15	1.51	2.15	-
10	Min.	66.55	52.3	60.99	10.62	14.99	55.07	13.31	0.51	5.87	0.89	2.92	2.46	9	-	3.63	-	4.5	1.07	1.1	1.45	1.85	2.4
	Max.	67.31	52.55	61.24	10.87	15.75	55.58	13.82	1.02	6.3	1.52	3.2	2.62	11	-	-	22	-	1.14	1.15	1.51	2.15	-

**FIGURE 2(b) – CONTACT ARRANGEMENTS**  
**FRONT VIEW MALE INSERT**

**Variants 01, 02**

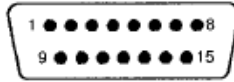
**E**



9 Contacts Gauge 20

**Variants 03, 04**

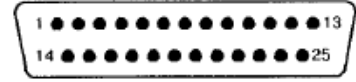
**A**



15 Contacts Gauge 20

**Variants 05, 06**

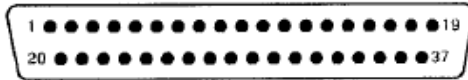
**B**



25 Contacts Gauge 20

**Variants 07, 08**

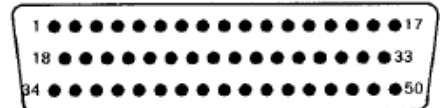
**C**



37 Contacts Gauge 20

**Variants 09, 10**

**D**



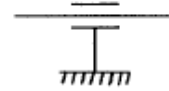
50 Contacts Gauge 20

**NOTES:**

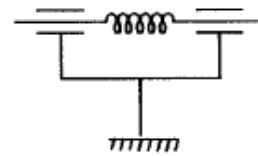
1. Contact locations are in conformity with MIL-C-24308 specification sheets and shall not be checked during procurement.
2. Both sides of inserts shall be marked with the minimum marking shown.

**FIGURE 3 – CONTACT FUNCTIONAL DIAGRAMS****FILTER TYPE L**

Equivalent Circuit for Low Frequency  
Filter Contacts

**FILTER TYPES M, S AND H**

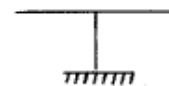
Equivalent Circuit for Medium, Standard and  
High Frequency Filter Contacts

**FILTER TYPE NF**

Equivalent Circuit for Non-Filtered Contact

**FILTER TYPE G**

Equivalent Circuit for Grounded Contact

**2 APPLICABLE DOCUMENTS**

The following documents form part of this specification and shall be read in conjunction with it:

- (a) ESCC Generic Specification No. 3405, Connectors, Electrical, Filtered, Circular and Rectangular.
- (b) ESCC Detail Specification No. 3401/022, Accessories for Rectangular Connectors 3401/001, 3401/002 and Connector Savers 3401/020.
- (c) QQ-B-613, Brass Material.
- (d) MIL-G-45204, Gold Plating, Electro-deposited.
- (e) MIL-C-14450, Copper Plating, Electro-deposited.
- (f) MIL-P-19833, Glass-Fibre-Filled Diallylphthalate Resin.
- (g) MIL-C-24308, Rack and Panel Connectors, Miniature.
- (h) MIL-M-14, Moulding Plastics and Moulded Plastic Parts, Thermosetting.

### 3 **TERMS, DEFINITIONS, ABBREVIATIONS, SYMBOLS AND UNITS**

For the purpose of this specification, the terms, definitions, abbreviations, symbols and units specified in ESCC Basic Specification No. 21300 shall apply.

### 4 **REQUIREMENTS**

#### 4.1 **GENERAL**

The complete requirements for procurement of the connectors specified herein are stated in this specification and ESCC Generic Specification No. 3405. Deviations from the Generic Specification, applicable to this specification only, are listed in Para. 4.2.

Deviations from the applicable Generic Specification and this Detail Specification, formally agreed with specific Manufacturers on the basis that the alternative requirements are equivalent to the ESCC requirements and do not affect the components' reliability, are listed in the appendices attached to this specification.

#### 4.2 **DEVIATIONS FROM GENERIC SPECIFICATION**

##### 4.2.1 **Deviations from Special In-process Controls**

(a) Para. 5.2.2, Operating Life Test for Filter Elements: not applicable to non-filtered and grounded contacts.

##### 4.2.2 **Deviations from Final Production Tests (Chart II)**

None.

##### 4.2.3 **Deviations from Burn-in and Electrical Measurements (Chart III)**

- (a) Para. 9.3.2, Parameter Drift Values: Not applicable to non-filtered and grounded contacts.
- (b) Para. 9.3.3, Electrical Measurements at High and Low Temperatures: Not applicable to non-filtered and grounded contacts.
- (c) Para. 9.6, Burn-in: Not applicable to non-filtered and grounded contacts.

##### 4.2.4 **Deviations from Qualification Tests (Chart IV)**

(a) Para. 9.21, Operating Life: Not applicable to non-filtered and grounded contacts.

##### 4.2.5 **Deviations from Lot Acceptance Tests (Chart V)**

(a) Para. 9.21, Operating Life: Not applicable to non-filtered and grounded contacts.

### 4.3 **MECHANICAL REQUIREMENTS**

#### 4.3.1 **Dimension Check**

The dimensions of the connectors specified herein shall be verified in accordance with the requirements set out in Para. 9.4 of ESCC Generic Specification No. 3405 and shall conform to those shown in Figure 2 of this specification.

#### 4.3.2 **Weight**

The maximum weight of the connectors specified herein, with contacts, shall be as specified in Table 1(a).

4.3.3 Contact Capability

For the purpose of this test, the pick-up and drop weights shall be as follows:

	Pick-Up Weight	Drop Weight
Weight (g)	28.35	226.8
Pin diameter (mm)	0.990 - 0.993	1.039 - 1.04
Insertion depth (mm)	4	4

4.3.4 Contact Retention (In Insert)

The contact retention force within the insert shall be 40N.

4.3.5 Mating and Unmating Forces

The forces applied for mating and unmating of the connectors shall conform to the values specified in Table 1(a).

4.3.6 Insert Retention (In Shell)

Connector inserts shall withstand a pressure of 42.8N/cm<sup>2</sup> without being dislodged from the shell.

4.3.7 Engagement and Separation Forces

The engagement and separation forces of the female contacts shall be tested with the applicable test pin and shall not exceed the values of the table hereunder.

	Diameter (mm)		Engagement Max (N)	Separation (N)	
	Min	Max		Min	Max
Max Ø Test Pin	1.039	1.04	3.33	-	2.22
Min Ø Test Pin	0.99	0.993	-	0.28	-

4.3.8 Oversize Pin Exclusion

The diameter of the test pin shall be 1.166mm min. and 1.17mm max., and the force applied to it shall be 3.33N.

4.3.9 Probe Damage

The probe diameter shall be 1.007mm min. and 1.033mm max., and the moment at the end of the probe shall be 5.65N.

4.3.10 Solderability

Size A soldering iron shall be used.

4.4 MATERIALS AND FINISHES

The materials and finishes shall be as specified herein. Where a definite material is not specified, a material which will enable the components specified herein to meet the performance requirements of this specification shall be used. Acceptance or approval of any constituent material does not guarantee acceptance of the finished product.

4.4.1 Shells

Shells shall be made of brass in accordance with QQ-B-613, Composition II. They shall be plated as specified in MIL-G-45204, Type II, Grade 'C' Class 1, gold over copper in accordance with MIL-C-14550.

#### 4.4.2 Inserts

Inserts shall be made of glass-fibre filled diallylphthalate resin in accordance with MIL-P-19833, Type GDI-30 or GDI-30-F or in accordance with MIL-M-14, Type SGDF.

#### 4.4.3 Contacts

##### 4.4.3.1 *Body*

The contact body shall be made of copper alloy. The contacts shall be gold-plated as specified in MIL-G-45204, Type II, Grade C, Class 1, thickness 1.27 $\mu$ m minimum over 2 $\mu$ m minimum of nickel.

The minimum plating thickness in the solder bucket shall be 0.2 $\mu$ m gold over 0.8 $\mu$ m nickel.

##### 4.4.3.2 *Filter*

- Capacitor: Ceramic dielectric.
- Ferrite: Sintered iron oxide.

#### 4.4.4 Ground Plane

The ground plane shall be made of copper alloy, gold plated. Gold plating thickness shall be 2.5 $\mu$ m minimum over 1 $\mu$ m minimum of copper.

#### 4.4.5 Guiding and Locking Devices

As specified in ESCC Detail Specification No. 3401/022.

### 4.5 MARKING

#### 4.5.1 General

The marking of all components delivered to this specification shall be in accordance with the requirements of ESCC Basic Specification No. 21700. Each component shall be marked in respect of:

- (a) Contact Identification.
- (b) The ESCC Component Number.
- (c) Characteristics.
- (d) Traceability information.

#### 4.5.2 Contact Identification

Contact identification shall be marked in accordance with Figure 2

#### 4.5.3 The ESCC Component Number

Each component shall bear the ESCC Component Number which shall be constituted and marked as follows:

Example: 340500101B

- Detail Specification Number: 3405001
- Type Variant (see Table 1(a)): 01
- Testing Level: B

#### 4.5.4 Characteristics

The characteristics to be marked shall consist of the applicable filter arrangement subvariant number as specified in Table 1(a).

Example: 100

#### 4.5.5 Traceability Information

Traceability information shall be marked in accordance with the requirements of ESCC Basic Specification No. 21700.

### 4.6 ELECTRICAL MEASUREMENTS

#### 4.6.1 Electrical Measurements at Room Temperature

The parameters to be measured in respect of electrical characteristics are scheduled in Table 2. Unless otherwise specified, these measurements shall be performed at  $T_{amb} = +22 \pm 3$  °C.

#### 4.6.2 Electrical Measurements at High and Low Temperatures (Table 3)

The parameters to be measured at high and low temperatures are scheduled in Table 3.

#### 4.6.3 Circuits for Electrical Measurements (Figure 4)

Not applicable.

### 4.7 BURN-IN AND ELECTRICAL MEASUREMENTS (TABLES 4 AND 5)

#### 4.7.1 Parameter Drift Values

The parameter drift values applicable to burn-in are specified in Table 4 of this specification. Unless otherwise stated, measurements shall be performed at  $T_{amb} = + 22 \pm 3$  °C. The parameter drift values ( $\Delta$ ) applicable to the scheduled parameters shall not be exceeded. In addition to these drift value requirements for a given parameter, the appropriate limit value specified in Table 2 shall not be exceeded.

#### 4.7.2 Conditions for Burn-in

The requirements for burn-in are specified in Section 7 of ESCC Generic Specification No. 3405. The conditions for burn-in shall be as specified in Table 5 of this specification.

#### 4.7.3 Electrical Circuits for Burn-in

Not applicable.

**TABLE 2 – ELECTRICAL MEASUREMENTS AT ROOM TEMPERATURE**

No.	Characteristic	Symbol	Spec. and/or Test Method	Limits						Unit
				Grounded	Non-filtered	Low Freq.	Med. Freq.	Std. Freq.	High Freq.	
1	Insulation Resistance	$R_i$ min.	ESCC No. 3405 Para. 9.3.1.1	-	5000 (1)	5000 (2)	10000 (2)	10000 (2)	10000 (2)	MΩ
2	Voltage Proof	$V_p$ min.	ESCC No. 3405 Para. 9.3.1.2 $I_L = 500\mu A$	-	1250	300	500	500	500	Vdc
3	Mated Shell Conductivity (Voltage Drop)	$V_d$ max.	ESCC No. 3405 Para. 9.3.1.4	N o t a p p l i c a b l e						mV
4	Contact Resistance (Low Level Current)	$R_{cl}$ max.	ESCC No. 3405 Para. 9.3.1.3	6	6	8.5	8.5	8.5	8.5	mΩ
5	Contact Resistance (Rated Current)	$R_{cr}$ max.	ESCC No. 3405 Para. 9.3.1.3	-	5	6	6	6	6	mΩ
6	Ground Resistance	$R_{cg}$	ESCC No. 3405 Para. 9.3.1.5	3	-	-	-	-	-	mΩ
7	Capacitance	$C$ min.	ESCC No. 3405 Para. 9.3.1.6 <u>CONDITION:</u> 0.1Vrms/1kHz	-	-	50000	4000	2300	500	pF
		$C$ max.	0.1Vrms/1kHz	-	-	-	12000	5000	1300	
8	Insertion Loss (no applied current or voltage)	$I_L$ min.	ESCC No. 3405 Para. 9.3.1.7 <u>CONDITION:</u>							dB
			1MHz	-	-	13 (3)	2 (3)	-	-	
			2MHz	-	-	19	5	2 (3)	-	
			10MHz	-	-	30 (3)	13 (3)	8	2 (3)	
			30MHz	-	-	40	28	20 (3)	8	
			100MHz	-	-	45 (3)	50 (3)	41	25 (3)	
			500MHz	-	-	-	-	55 (3)	45	
1000MHz	-	-	-	-	-	50 (3)				

**NOTES:**

1. 500Vdc applied.
2. 100Vdc applied.
3. Values to be measured during Charts II, III and V testing.



**TABLE 3 – ELECTRICAL MEASUREMENTS AT HIGH AND LOW TEMPERATURES (1)**

No.	Characteristic	Symbol	Spec. and/or Test Method	Test Conditions	Filter	Limits		Unit
						Min.	Max.	
1	Insulation Resistance	$R_i$ min.	ESCC No. 3405 Para. 9.3.1.1	$T_{amb} = +125(+0 -5)^{\circ}C$ $V = 100Vdc$	Low Freq.	50	-	MΩ
					Med. Freq.	50	-	
					Std. Freq.	1000	-	
					High Freq.	1000	-	
				$T_{amb} = -55(+5 -0)^{\circ}C$ $V = 100Vdc$	Low Freq.	5000	-	
					Med. Freq.	5000	-	
					Std. Freq.	10000	-	
					High Freq.	10000	-	

**NOTES:**

1. Not applicable to non-filtered and grounded contacts.

**TABLE 4 – PARAMETER DRIFT VALUES (1)**

No.	Characteristics	Symbol	Spec. and/or Test Method	Test Conditions	Change Limits	Unit
1	Insulation Resistance Drift	$\frac{\Delta R_i}{R_i}$	As per Table 2	As per Table 2	-50	%
7	Capacitance Drift	$\frac{\Delta C}{C}$	As per Table 2	As per Table 2	±20	%

**NOTES:**

1. Not applicable to non-filtered and grounded contacts.

**TABLE 5 – CONDITIONS FOR BURN-IN AND OPERATING LIFE TEST (1)**

No.	Characteristics	Symbol	Condition	Unit
1	Ambient Temperature	$T_{amb}$	+125(+0 -3)	°C
2	Voltage (2)	$V_T$	See Table 1(b)	Vdc

**NOTES:**

1. Not applicable to non-filtered and grounded contacts.
2. Applied between contact and ground.

**4.8 ENVIRONMENTAL AND ENDURANCE TESTS**

**4.8.1 Measurements and Inspections on Completion of Environmental Tests**

The parameters to be measured and inspections to be performed on completion of environmental testing shall be those specified in Table 6. Unless otherwise specified, the measurements shall be performed at  $T_{amb} = +22 \pm 3$  °C.

- 4.8.2 Measurements and Inspections at Intermediate Points during Endurance Tests  
The parameters to be measured and inspections to be performed at intermediate points during endurance tests are scheduled in Table 6. Unless otherwise specified, measurements shall be performed at  $T_{amb} = +22 \pm 3$  °C.
- 4.8.3 Measurements and Inspections on Completion of Endurance Tests  
The parameters to be measured and inspections to be performed on completion of endurance tests shall be those specified in Table 6. Unless otherwise specified, the measurements shall be performed at  $T_{amb} = +22 \pm 3$  °C.
- 4.8.4 Conditions for Operating Life Test (Part of Endurance Testing)  
As per Table 5.
- 4.8.5 Electrical Circuits for Operating Life Test  
Not applicable.
- 4.8.6 Conditions for High Temperature Storage Test (Part of Endurance Testing)  
The requirements for the high temperature storage test are specified in Section 9 of ESCC Generic Specification No. 3405. The conditions for high temperature storage testing shall be the maximum storage temperature specified in Table 1(b) of this specification.

**TABLE 6 – MEASUREMENTS AND INSPECTIONS ON COMPLETION OF ENVIRONMENTAL TESTS AND AT INTERMEDIATE POINTS AND ON COMPLETION OF ENDURANCE TESTS**

No.	ESCC Generic No. 3405		Measurements and Inspections		Symbol	Limits		Unit
	Environmental and Endurance Tests (1)	Test Method and Conditions	Identification	Conditions		Min.	Max.	
01	Wiring	Para. 9.10	Insertion Loss	Table 2 Item 8	IL	Table 2 Item 8		
02	Vibration	Para. 9.11	<b>Initial Measurements</b> Coupling Screw(s) Unlocking Torque  <b>Final Measurements</b> Coupling Screw(s) Unlocking Torque Drift Visual Examination	-  - - -	-  $\Delta$ - -	Record Values  -25      +25		%
03	Shock or Bump	Para. 9.12	Visual Examination	-	-	-	-	
04	Climatic Sequence	Para. 9.13	<b>Low Air Pressure</b> Voltage Proof  <b>Damp Heat</b> Insulation Resistance  <b>Final Measurements</b> External Visual Inspection  Insertion Loss Capacitance Insulation Resistance Voltage Proof	Figure 1  <b>Immediately after test</b> Table 2 Item 1  ESCC 3405 Para. 9.5  Table 2 Item 8 Table 2 Item 7 Table 2 Item 1 Table 2 Item 2	Vp  Ri  - IL C Ri Vp	ESCC 3405 Para. 9.13.5  1/10 of Table 3 values  ESCC 3405 Para. 9.5 Table 2 Item 8 Table 2 Item 7 Table 2 Item 1 Table 2 Item 2		

No.	ESCC Generic No. 3405		Measurements and Inspections		Symbol	Limits		Unit
	Environmental and Endurance Tests (1)	Test Method and Conditions	Identification	Conditions		Min.	Max.	
05	Rapid Change of Temperature	Para. 9.9.3	Visual Examination Insertion Loss Capacitance Insulation Resistance Voltage Proof	- Table 2 Item 8 Table 2 Item 7 Table 2 Item 1 Table 2 Item 2	- IL C Ri Vp	- - Table 2 Item 8 Table 2 Item 7 Table 2 Item 1 Table 2 Item 2		
06	Contact Retention in Insert	Para. 9.14 & Para. 4.3.4 of spec.	Contact Displacement	-	-	ESCC 3405 Para. 9.14		
07	Endurance	Para. 9.15	<b>Initial Measurements</b> Mating/Unmating Forces  Low Level Contact Resistance Ground Resistance Mated Shell Conductivity Capacitance Insulation Resistance <b>Final Measurements</b> Visual Examination Mating/Unmating Forces  Low Level Contact Resistance Drift Ground Resistance Mated Shell Conductivity Insertion Loss Capacitance Drift Insulation Resistance Drift Voltage Proof	-  Table 2 Item 4  Table 2 Item 6 Table 2 Item 3 Table 2 Item 7 Table 2 Item 1  - -  Table 2 Item 4  Table 2 Item 6 Table 2 Item 3 Table 2 Item 8 Table 2 Item 7 Table 2 Item 1 Table 2 Item 2	-  Rcl Rcg Vd C Ri  - -  ΔRcl Rcg Vd IL ΔC/C ΔRi/Ri Vp	Para. 4.3.5 of this spec. Record Values Table 2 Item 6 Table 2 Item 3 Table 2 Item 7 Table 2 Item 1  - - Para. 4.3.5 of this spec. -   3 Table 2 Item 6 Table 2 Item 3 Table 2 Item 8 Table 4 Item 7 Table 4 Item 1 Table 2 Item 2	mΩ            mΩ	
08	Permanence of Marking	Para. 9.16	As applicable					
09	Mating/Unmating Forces	Para. 9.27	Force			Para. 4.3.5 of this spec.		

No.	ESCC Generic No. 3405		Measurements and Inspections		Symbol	Limits		Unit
	Environmental and Endurance Tests (1)	Test Method and Conditions	Identification	Conditions		Min.	Max.	
10	High Temperature Storage	Para. 9.18	<b>Initial Measurements</b>					
			Low Level Contact Resistance	Table 2 Item 4	Rcl	Record Values		mΩ
			Ground Resistance	Table 2 Item 6	Rcg	Table 2 Item 6		
			Mated Shell Conductivity	Table 2 Item 3	Vd	Table 2 Item 3		
			Capacitance	Table 2 Item 7	C	Table 2 Item 7		
			Insulation Resistance	Table 2 Item 1	Ri	Table 2 Item 1		
			<b>Final Measurements</b>					
			Visual Examination	-	-	-	-	
			Mating/Unmating Forces	-	-	Para. 4.3.5 of this spec.		
			Low Level Contact Resistance Drift	Table 2 Item 4	ΔRcl	-	3	mΩ
			Ground Resistance	Table 2 Item 6	Rcg	Table 2 Item 6		
			Mated Shell Conductivity	Table 2 Item 3	Vd	Table 2 Item 3		
			Insertion Loss	Table 2 Item 8	IL	Table 2 Item 8		
			Capacitance Drift	Table 2 Item 7	ΔC/C	Table 4 Item 7		
Insulation Resistance Drift	Table 2 Item 1	ΔRi/Ri	Table 4 Item 1					
Voltage Proof	Table 2 Item 2	Vp	Table 2 Item 2					
Contact Retention in Insert	Para. 4.3.4 of this spec.	-	Para. 4.3.4 of this spec.					
11	Corrosion	Para. 9.19	Visual Examination	-	-	-	-	
12	Insert Retention in Shell	Para. 9.20 & Para. 4.3.6 of this spec.	Visual Examination	-	-	Para. 4.3.6 of this spec.		
13	Operating Life	Para. 9.21	<b>Initial Measurements</b>					
			Capacitance	Table 2 Item 7	C	Table 2 Item 7		
			Insulation Resistance	Table 2 Item 1	Ri	Table 2 Item 1		
			<b>Intermediate and Final Measurements</b>					
			Insulation Resistance	Table 3 Item 1	Ri	Table 3 Item 1		
			<b>After 24hrs Max. Recovery</b>					
			Insertion Loss	Table 2 Item 8	IL	Table 2 Item 8		
Capacitance Drift	Table 2 Item 7	ΔC/C	Table 4 Item 7					
Insulation Resistance Drift	Table 2 Item 1	ΔRi/Ri	Table 4 Item 1					
Voltage Proof	90% of Table 2 Item 2	Vp	Table 2 Item 2					
14	Resistance to Soldering Heat	Para. 9.22	<b>After 1-2 hrs recovery</b>					
			Visual Examination	-	-	-	-	
			Insulation Resistance	Table 3 Item 1	Ri	Table 3 Item 1		
Insertion Loss	Table 2 Item 8	IL	Table 2 Item 8					
15	Engage/Separation Forces	Para. 9.23 & Para. 4.3.7 of this spec.	Force	-	-	Para. 4.3.7 of this spec.		
16	Oversize Pin Exclusion	Para. 9.24 & Para. 4.3.8 of this spec.	-	-	-	ESCC 3405 Para. 9.24		

No.	ESCC Generic No. 3405		Measurements and Inspections		Symbol	Limits		Unit
	Environmental and Endurance Tests (1)	Test Method and Conditions	Identification	Conditions		Min.	Max.	
17	Probe Damage	Para. 9.25 & Para. 4.3.9 of this spec.	Contact Separation Force	Para. 4.3.7 of this spec.	-	Para. 4.3.7 of this spec.		
18	Solderability	Para. 9.26 & Para. 4.3.10 of this spec.	-	-	-	ESCC 3401 Para. 9.26		
19	Pin Bending Test	Para. 9.27	Visual Examination Capacitance Drift Insulation Resistance Drift	- Table 2 Item 7 Table 2 Item 1	- $\Delta C$ $\Delta Ri$	- Table 4 Item 7 Table 4 Item 1		
20	Plating Thickness	Para. 9.28	Thickness	-	-	Para. 4.4.3.1 of this spec.		
21	External Visual Inspection	Para. 9.5	External Visual Inspection	ESCC 3405 Para. 9.5	-	ESCC 3405 Para. 9.5		
22	Contact Capability	Para. 9.2 & Para. 4.3.3 of this spec.	Go-No-Go Weights	-	-	ESCC 3405 Para. 9.2		
23	Mating Verification	Para. 9.8	-	-	-	ESCC 3405 Para. 9.8		

**NOTES:**

1. The tests in this Table refer to either Chart IV or V and shall be used as applicable.