



Page i

**TRANSISTORS, DUAL, NPN,
BASED ON TYPE MD2219AF
ESCC Detail Specification No. 5207/012**

**ISSUE 1
October 2002**



Document Custodian: European Space Agency - see <https://escies.org>

	ESCC Detail Specification		PAGE ii ISSUE 1
--	---------------------------	--	--------------------

LEGAL DISCLAIMER AND COPYRIGHT

European Space Agency, Copyright © 2002. All rights reserved.

The European Space Agency disclaims any liability or responsibility, to any person or entity, with respect to any loss or damage caused, or alleged to be caused, directly or indirectly by the use and application of this ESCC publication.

This publication, without the prior permission of the European Space Agency and provided that it is not used for a commercial purpose, may be:

- copied in whole in any medium without alteration or modification.
- copied in part, in any medium, provided that the ESCC document identification, comprising the ESCC symbol, document number and document issue, is removed.



**european space agency
agence spatiale européenne**

Pages 1 to 19

TRANSISTORS, DUAL, NPN,

BASED ON TYPE MD2219AF

ESA/SCC Detail Specification No. 5207/012



**space components
coordination group**

Issue/Rev.	Date	Approved by	
		SCCG Chairman	ESA Director General or his Deputy
Issue 2	August 1996	<i>Sam Mitchell</i>	<i>J. Horn</i>



SCC

ESA/SCC Detail Specification
No. 5207/012

PAGE 2

ISSUE 2

DOCUMENTATION CHANGE NOTICE

Rev. Letter	Rev. Date	Reference	CHANGE Item	Approved DCR No.
		This Issue supersedes Issue 1 and incorporates all modifications defined in Revisions 'A', 'B', 'C' and 'D' to Issue 1 and the changes agreed in the following DCR's:- Cover page DCN Para. 1.8	: New paragraph added	None None 21083

**TABLE OF CONTENTS**

	<u>Page</u>
1. <u>GENERAL</u>	5
1.1 Scope	5
1.2 Component Type Variants	5
1.3 Maximum Ratings	5
1.4 Parameter Derating Information	5
1.5 Physical Dimensions	5
1.6 Pin Assignment	5
1.7 Functional Diagram	5
1.8 High Temperature Test Precautions	5
2. <u>APPLICABLE DOCUMENTS</u>	5
3. <u>TERMS, DEFINITIONS, ABBREVIATIONS, SYMBOLS AND UNITS</u>	5
4. <u>REQUIREMENTS</u>	10
4.1 General	10
4.2 Deviations from Generic Specification	10
4.2.1 Deviations from Special In-process Controls	10
4.2.2 Deviations from Final Production Tests	10
4.2.3 Deviations from Burn-in and Electrical Measurements	10
4.2.4 Deviations from Qualification Tests	10
4.2.5 Deviations from Lot Acceptance Tests	10
4.3 Mechanical Requirements	10
4.3.1 Dimension Check	10
4.3.2 Weight	10
4.3.3 Terminal Strength	10
4.4 Materials and Finishes	11
4.4.1 Case	11
4.4.2 Lead Material and Finish	11
4.5 Marking	11
4.5.1 General	11
4.5.2 Lead Identification	11
4.5.3 The SCC Component Number	11
4.5.4 Traceability Information	11
4.5.5 Marking of Small Components	12
4.6 Electrical Measurements	12
4.6.1 Electrical Measurements at Room Temperature	12
4.6.2 Electrical Measurements at High and Low Temperatures	12
4.6.3 Circuits for Electrical Measurements	12
4.7 Burn-in Tests	12
4.7.1 Parameter Drift Values	12
4.7.2 Conditions for High Temperature Reverse Bias Burn-in	12
4.7.3 Conditions for Power Burn-in	12
4.7.4 Electrical Circuits for High Temperature Reverse Bias and Power Burn-in	12
4.8 Environmental and Endurance Tests	18
4.8.1 Electrical Measurements on Completion of Environmental Tests	18
4.8.2 Electrical Measurements at Intermediate Points and on Completion of Endurance Tests	18
4.8.3 Conditions for Operating Life Tests	18
4.8.4 Electrical Circuits for Operating Life Tests	18
4.8.5 Conditions for High Temperature Storage Test	18

**SCC**ESA/SCC Detail Specification
No. 5207/012

PAGE 4

ISSUE 2

TABLESPage

1(a)	Type Variants	6
1(b)	Maximum Ratings	6
2	Electrical Measurements at Room Temperature - d.c. Parameters	13
	Electrical Measurements at Room Temperature - a.c. Parameters	14
3	Electrical Measurements at High and Low Temperatures	15
4	Parameter Drift Values	17
5	Conditions for Power Burn-in and Operating Life Tests	17
6	Electrical Measurements at Intermediate Points and on Completion of Endurance Testing	19

FIGURES

1	Parameter Derating Information	7
2	Physical Dimensions	8
3(a)	Pin Assignment	9
3(b)	Functional Diagram	9
4	Circuits for Electrical Measurements	16
5	Electrical Circuit for Power Burn-in and Operating Life Tests	17

APPENDICES (Applicable to specific Manufacturers only)

None.

**1. GENERAL****1.1 SCOPE**

This specification details the ratings, physical and electrical characteristics, test and inspection data for a Transistor, Dual, NPN, based on Type MD2219AF. It shall be read in conjunction with ESA/SCC Generic Specification No. 5000, the requirements of which are supplemented herein.

1.2 COMPONENT TYPE VARIANTS

See Table 1(a).

1.3 MAXIMUM RATINGS

The maximum ratings, which shall not be exceeded at any time during use or storage, applicable to the transistors specified herein are scheduled in Table 1(b).

1.4 PARAMETER DERATING INFORMATION

The derating information applicable to the transistors specified herein is shown in Figure 1.

1.5 PHYSICAL DIMENSIONS

The physical dimensions of the transistors specified herein are shown in Figure 2.

1.6 PIN ASSIGNMENT

The pin assignment of the transistors specified herein is shown in Figure 3(a).

1.7 FUNCTIONAL DIAGRAM

The functional diagram showing lead identification, of the transistors specified herein, is shown in Figure 3(b).

1.8 HIGH TEMPERATURE TEST PRECAUTIONS

For tin-lead plated or solder-dipped lead finish, all tests to be performed at a temperature that exceeds +125°C shall be carried out in a 100% inert atmosphere.

2. APPLICABLE DOCUMENTS

The following documents form part of this specification and shall be read in conjunction with it:-

- (a) ESA/SCC Generic Specification No. 5000 for Discrete Semiconductor Components.
- (b) MIL-STD-750, Test Methods and Procedures for Semiconductor Devices.
- (c) ESA/SCC Basic Specification No. 23500, Requirements for Lead Materials and Finishes for Components for Space Application.

3. TERMS, DEFINITIONS, ABBREVIATIONS, SYMBOLS AND UNITS

For the purpose of this specification, the terms, definitions, abbreviations, symbols and units specified in ESA/SCC Basic Specification No. 21300 shall apply.



TABLE 1(a) - TYPE VARIANTS

VARIANT	BASED ON TYPE	CASE	FIGURE	LEAD MATERIAL AND FINISH
01	MD2219AF	FLAT PACK	2	G2
02	MD2219AF	FLAT PACK	2	G3 or G4

TABLE 1(b) - MAXIMUM RATINGS

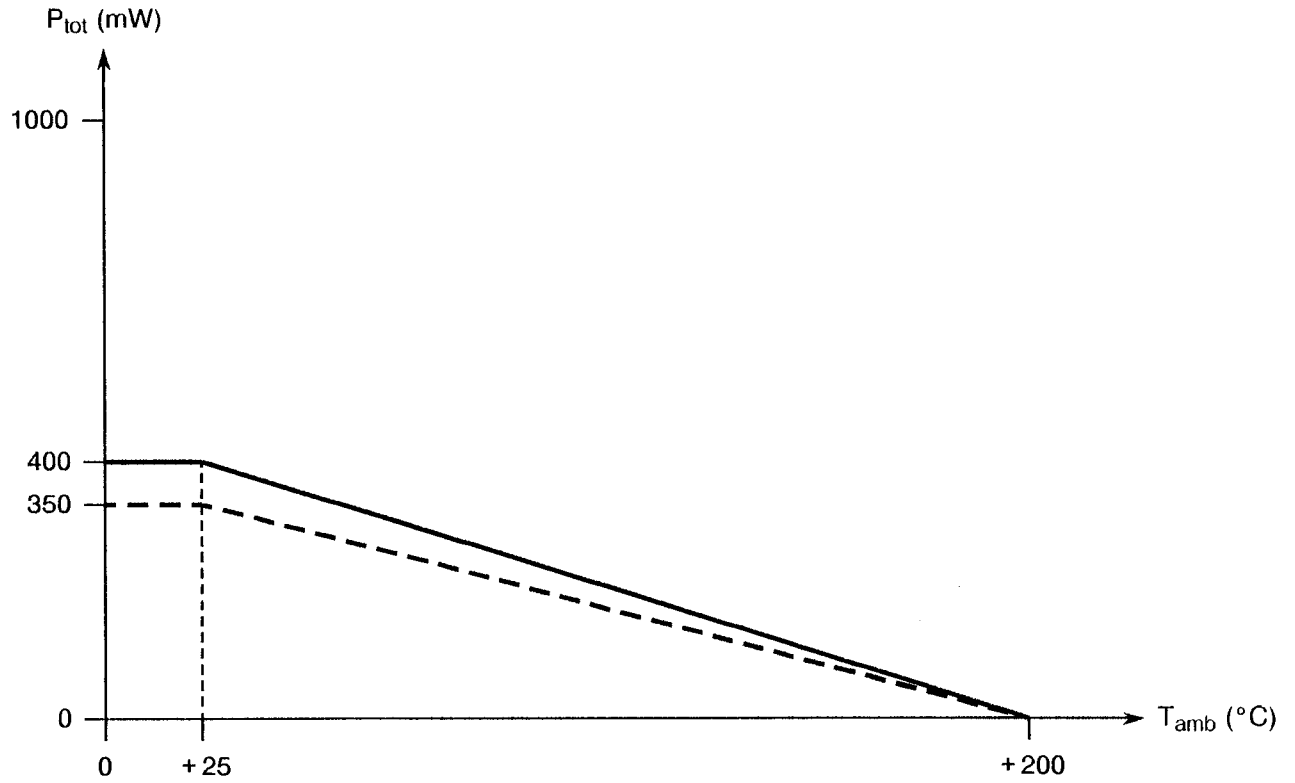
No.	CHARACTERISTICS	SYMBOL	MAXIMUM RATINGS	UNIT	REMARKS
1	Collector-Base Voltage	V_{CBO}	75	V	
2	Collector-Emitter Voltage	V_{CEO}	40	V	
3	Emitter-Base Voltage	V_{EBO}	6.0	V	
4	Collector Current (Continuous)	I_C	500	mA	
5	Power Dissipation	P_{tot}	0.35 (Note 1) 0.40 (Note 2)	W	Note 3
6	Operating Temperature Range	T_{op}	- 65 to + 200	°C	T_{amb}
7	Storage Temperature Range	T_{stg}	- 65 to + 200	°C	
8	Soldering Temperature	T_{sol}	+ 260	°C	Time: $\leq 10s$ Distance from case $\geq 1.5mm$

NOTES

1. One side.
2. Both sides.
3. At $T_{amb} \leq +25^\circ C$. For derating at $T_{amb} > +25^\circ C$, see Figure 1.



FIGURE 1 - PARAMETER DERATING INFORMATION

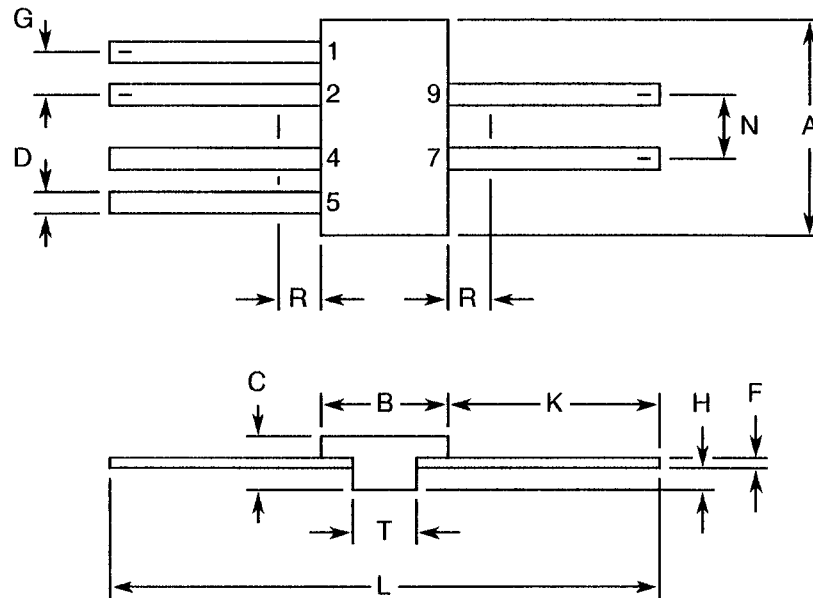


Power Dissipation versus Temperature

- Ambient temperature, one side
- - - Ambient temperature, both sides



FIGURE 2 - PHYSICAL DIMENSIONS



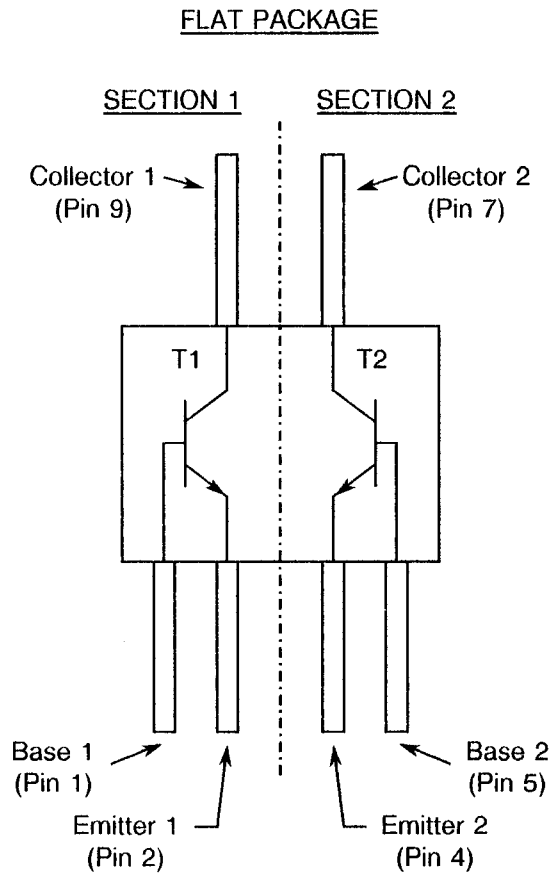
SYMBOL	MILLIMETRES		INCHES (NOTE 1)		NOTES
	MIN.	MAX.	MIN.	MAX.	
A	6.10	7.37	0.240	0.290	
B	2.92	4.06	0.115	0.160	
C	0.76	2.03	0.030	0.080	
D	0.36	0.48	0.014	0.019	2, 3
F	0.076	0.15	0.003	0.006	2
G	1.27 BSC		0.050 BSC		2, 3
H	0.127	0.89	0.005	0.035	
K	3.81	-	0.150	-	
L	10.54	-	0.415	-	
N	2.54 BSC		0.100 BSC		3
R	-	1.27	-	0.050	
T	1.65	2.03	0.065	0.080	

NOTES

1. Imperial equivalents (to the nearest 0.001 inches) are given for general information only and are based on 25.4mm = 1 inch.
2. All 6 leads.
3. Measure within zone 'R'.



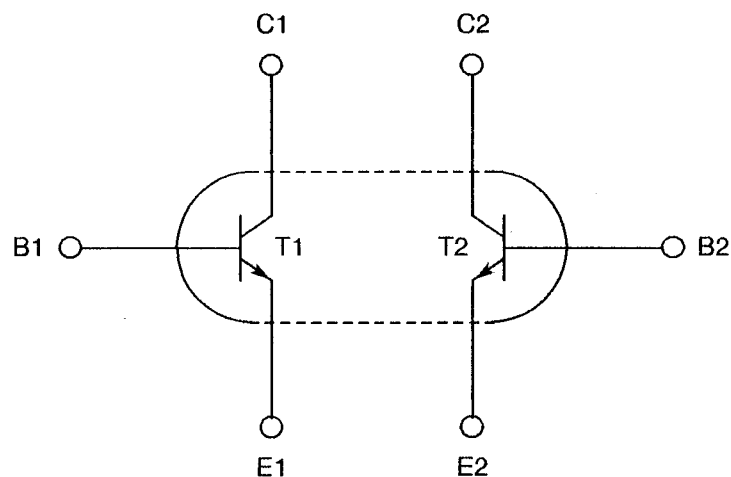
FIGURE 3(a) - PIN ASSIGNMENT



NOTES

1. Pins 3, 5, 8 and 10 are omitted.
2. All leads electrically insulated from the case and each section electrically isolated from each other.

FIGURE 3(b) - FUNCTIONAL DIAGRAM





4. REQUIREMENTS

4.1 GENERAL

The complete requirements for procurement of the transistors specified herein are stated in this specification and ESA/SCC Generic Specification No. 5000. Deviations from the Generic Specification, applicable to this specification only, are listed in Para. 4.2.

Deviations from the applicable Generic Specification and this Detail Specification, formally agreed with specific Manufacturers on the basis that the alternative requirements are equivalent to the ESA/SCC requirements and do not affect the components' reliability, are listed in the appendices attached to this specification.

4.2 DEVIATIONS FROM GENERIC SPECIFICATION

4.2.1 Deviations from Special In-process Controls

None.

4.2.2 Deviations from Final Production Tests (Chart II)

(a) Para. 9.8.2, Seal Test (Gross Leak): To be performed to Step 1 only.

4.2.3 Deviations from Burn-in and Electrical Measurements (Chart III)

(a) Para. 9.8.2, Seal Test (Gross Leak): To be performed to Step 1 only.

4.2.4 Deviations from Qualification Tests (Chart IV)

(a) Para. 9.8.2, Seal Test (Gross Leak): To be performed to Step 1 only.

4.2.5 Deviations from Lot Acceptance Tests (Chart V)

(a) Para. 9.8.2, Seal Test (Gross Leak): To be performed to Step 1 only.

4.3 MECHANICAL REQUIREMENTS

4.3.1 Dimension Check

The dimensions of the transistors specified herein shall be checked. They shall conform to those shown in Figure 2.

4.3.2 Weight

The maximum weight of the transistors specified herein shall be 0.32 grammes.

4.3.3 Terminal Strength

The requirements for terminal strength testing are specified in Section 9 of ESA/SCC Generic Specification No. 5000. The test conditions shall be as follows:-

Test Condition: 'E', Lead Fatigue.

Applied Force: 1.0 ± 0.1 Newtons, 3 bends at 45°.



4.4 MATERIALS AND FINISHES

The materials and finishes shall be as specified herein. Where a definite material is not specified, a material which will enable the transistors specified herein to meet the performance requirements of this specification shall be used. Acceptance or approval of any constituent material does not guarantee acceptance of the finished product.

4.4.1 Case

The case shall be hermetically sealed and have a ceramic body with hard glass seals and the lid shall be glass frit sealed.

4.4.2 Lead Material and Finish

The lead material shall be Type 'G' with either Type '2' or Type '3 or 4' finish in accordance with the requirements of ESA/SCC Basic Specification No. 23500. (See Table 1(a) for Type Variants).

4.5 MARKING

4.5.1 General

The marking of all components delivered to this specification shall be in accordance with the requirements of ESA/SCC Basic Specification No. 21700. Each component shall be marked in respect of:-

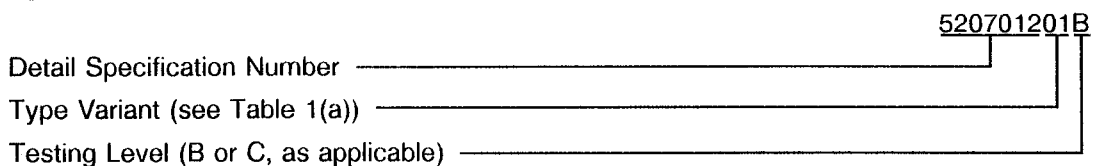
- (a) Lead Identification.
- (b) The SCC Component Number.
- (c) Traceability Information.

4.5.2 Lead Identification

Lead identification shall be as shown in Figures 2 and 3.

4.5.3 The SCC Component Number

Each component shall bear the SCC Component Number which shall be constituted and marked as follows:-



4.5.4 Traceability Information

Each component shall be marked in respect of traceability information in accordance with the requirements of ESA/SCC Basic Specification No. 21700.



4.5.5 Marking of Small Components

When it is considered that the component is too small to accommodate the marking as specified above, as much as space permits shall be marked. The order of precedence shall be as follows:-

- (a) Lead Identification.
- (b) The SCC Component Number.
- (c) Traceability Information.

The marking information in full shall accompany each component in its primary package.

4.6 ELECTRICAL MEASUREMENTS

4.6.1 Electrical Measurements at Room Temperature

The parameters to be measured at room temperature are scheduled in Table 2. Unless otherwise specified, measurements shall be performed at $T_{amb} = +22 \pm 3$ °C.

4.6.2 Electrical Measurements at High and Low Temperatures

The parameters to be measured at high and low temperatures are scheduled in Table 3. The measurements shall be performed at $T_{amb} = -55(+5 - 0)$ and $+150(+0 - 5)$ °C respectively.

4.6.3 Circuits for Electrical Measurements

Circuits for use in performing the electrical measurements listed in Table 2 of this specification are shown in Figure 4.

4.7 BURN-IN TESTS

4.7.1 Parameter Drift Values

The parameter drift values applicable to burn-in are specified in Table 4 of this specification. Unless otherwise stated, measurements shall be performed at $T_{amb} = +22 \pm 3$ °C. The parameter drift values (Δ) applicable to the parameters scheduled shall not be exceeded. In addition to these drift value requirements, the appropriate limit value specified for a given parameter in Table 2 shall not be exceeded.

4.7.2 Conditions for High Temperature Reverse Bias Burn-in

Not applicable.

4.7.3 Conditions for Power Burn-in

The requirements for power burn-in are specified in Section 7 of ESA/SCC Generic Specification No. 5000. The conditions for power burn-in shall be as specified in Table 5 of this specification.

4.7.4 Electrical Circuit for High Temperature Reverse Bias and Power Burn-in

Not applicable.



TABLE 2 - ELECTRICAL MEASUREMENTS AT ROOM TEMPERATURE - d.c. PARAMETERS

No.	CHARACTERISTICS	SYMBOL	MIL-STD-750 TEST METHOD	TEST CONDITIONS	LIMITS		UNIT
					MIN	MAX	
1 to 2	Collector-Emitter Breakdown Voltage	$V_{(BR)CEO}$	3011	$I_C = 10mA$ $I_E = 0A$ Note 1	40	-	V
3 to 4	Collector-Base Breakdown Voltage	$V_{(BR)CBO}$	3001	$I_C = 10\mu A$ $I_E = 0A$	75	-	V
5 to 6	Emitter-Base Breakdown Voltage	$V_{(BR)EBO}$	3026	$I_E = 10\mu A$ $I_C = 0A$	6.0	-	V
7 to 8	Collector-Emitter Cut-off Current	I_{CEX}	3041	$V_{CE} = 50V$ $V_{BE} = -3.0V$	-	15	nA
9 to 10	Collector-Base Cut-off Current	I_{CBO}	3036	$V_{CB} = 50V$ $I_E = 0A$	-	10	nA
11 to 12	Emitter-Base Cut-off Current	I_{EBO}	3061	$V_{EB} = 4.0V$ $I_C = 0A$	-	30	nA
13 to 14	D.C. Forward Current Transfer Ratio 1	h_{FE1}	3076	$I_C = 100\mu A$ $V_{CE} = 10V$ Note 1	35	-	-
15 to 16	D.C. Forward Current Transfer Ratio 2	h_{FE2}	3076	$I_C = 1.0mA$ $V_{CE} = 10V$ Note 1	50	-	-
17 to 18	D.C. Forward Current Transfer Ratio 3	h_{FE3}	3076	$I_C = 10mA$ $V_{CE} = 10V$ Note 1	75	-	-
19 to 20	D.C. Forward Current Transfer Ratio 4	h_{FE4}	3076	$I_C = 150mA$ $V_{CE} = 10V$ Note 1	100	300	-
21 to 22	D.C. Forward Current Transfer Ratio 5	h_{FE5}	3076	$I_C = 150mA$ $V_{CE} = 1.0V$ Note 1	50	-	-
23 to 24	D.C. Forward Current Transfer Ratio 6	h_{FE6}	3076	$I_C = 300mA$ $V_{CE} = 10V$ Note 1	30	-	-
25 to 26	Collector-Emitter Saturation Voltage 1	$V_{CE(sat)1}$	3071	$I_C = 150mA$ $I_B = 15mA$ Note 1	-	0.3	V
27 to 28	Collector-Emitter Saturation Voltage 2	$V_{CE(sat)2}$	3071	$I_C = 300mA$ $I_B = 30mA$ Note 1	-	0.9	V

NOTES: See Page 14.

**TABLE 2 - ELECTRICAL MEASUREMENTS AT ROOM TEMPERATURE - d.c. PARAMETERS (CONT'D)**

No.	CHARACTERISTICS	SYMBOL	MIL-STD-750 TEST METHOD	TEST CONDITIONS	LIMITS		UNIT
					MIN	MAX	
29 to 30	Base-Emitter Saturation Voltage 1	$V_{BE(sat)1}$	3066	$I_C = 150mA$ $I_B = 15mA$ Note 1	0.6	1.2	V
31 to 32	Base-Emitter Saturation Voltage 2	$V_{BE(sat)2}$	3066	$I_C = 300mA$ $I_B = 30mA$ Note 1	-	1.8	V

TABLE 2 - ELECTRICAL MEASUREMENTS AT ROOM TEMPERATURE - a.c. PARAMETERS

No.	CHARACTERISTICS	SYMBOL	MIL-STD-750 TEST METHOD	TEST FIG.	TEST CONDITIONS (NOTE 2)	LIMITS		UNIT
						MIN	MAX	
33 to 34	Current Gain Bandwidth Product	f_T	3301	-	$I_C = 20mA$ $V_{CE} = 20V$ $f = 100MHz$	250	-	MHz
35 to 36	Saturated Turn-on Switching Time	t_{on}	-	4(a)	$V_{CC} = 30V$ $I_C = 150mA$ $I_B = 15mA$	-	45	ns
37 to 38	Saturated Turn-off Switching Time	t_{off}	-	4(b)	$V_{CC} = 30V$ $I_C = 150mA$ $I_{B1} = I_{B2} = 15mA$	-	310	ns
39 to 40	Output Capacitance	C_{obo}	3236	-	$V_{CB} = 10V$ $I_E = 0A$ $100kHz < f < 1.0MHz$	-	8.0	pF
41 to 42	Input Capacitance	C_{ibo}	3240	-	$V_{BE} = 0.5V$ $I_C = 0A$ $100kHz < f < 1.0MHz$	-	25	pF

NOTES

1. Pulsed measurement: Pulse Width $\leq 300\mu s$, Duty Cycle $\leq 2.0\%$.
2. Measurements shall be performed on a sample basis, LTPD7 or less.

**TABLE 3 - ELECTRICAL MEASUREMENTS AT HIGH AND LOW TEMPERATURES**

No.	CHARACTERISTICS	SYMBOL	MIL-STD-750 TEST METHOD	TEST CONDITIONS	LIMITS		UNIT
					MIN	MAX	
7 to 8	Collector-Emitter Cut-off Current	I_{CEX}	3041	$T_{amb} = +150^{\circ}C$ $V_{CE} = 50V$ $V_{BE} = -3.0V$	-	25	μA
11 to 12	Emitter-Base Cut-off Current	I_{EBO}	3061	$T_{amb} = +150^{\circ}C$ $I_C = 0A$ $V_{EB} = 4.0V$	-	50	μA
19 to 20	D.C. Forward Current Transfer Ratio 4	h_{FE4}	3076	$T_{amb} = -55^{\circ}C$ $I_C = 150mA$ $V_{CE} = 10V$ Note 2	50	-	-

NOTES

1. Pulsed measurement: Pulse Width $\leq 300\mu s$, Duty Cycle $\leq 2.0\%$.



FIGURE 4 - CIRCUITS FOR ELECTRICAL MEASUREMENTS

FIGURE 4(a) - SATURATED TURN-ON SWITCHING TIME

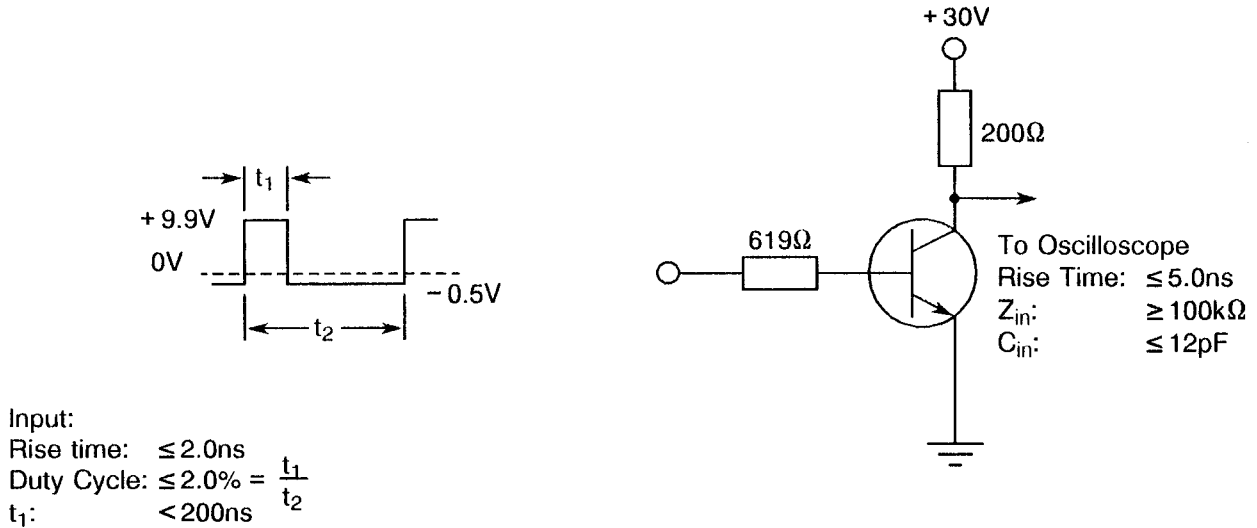
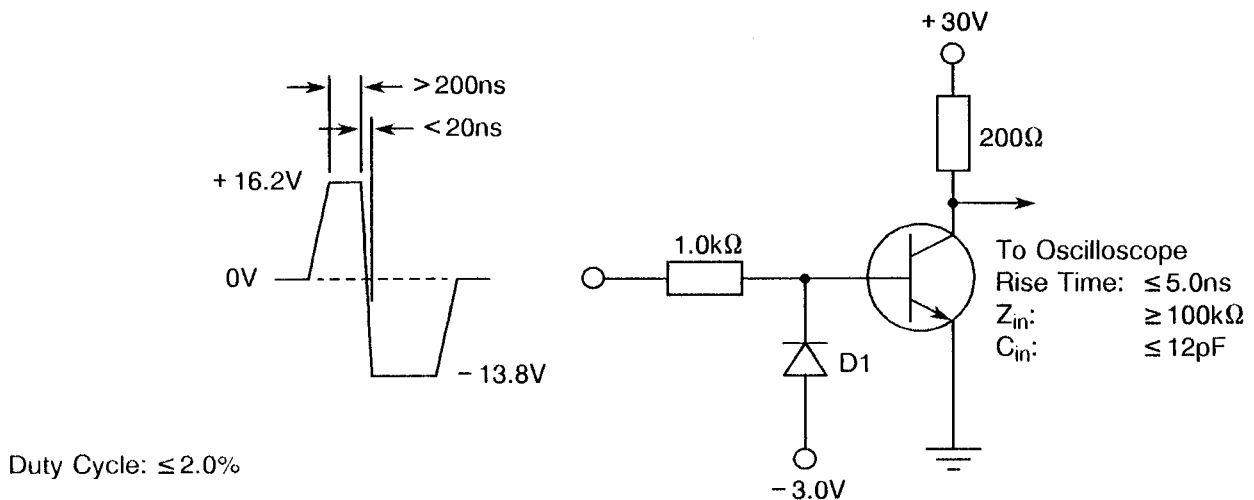


FIGURE 4(b) - SATURATED TURN-OFF SWITCHING TIME



NOTES

1. D1 similar to 1N916; $t_{rr} \leq 5.0\text{ns}$.

**TABLE 4 - PARAMETER DRIFT VALUES**

No.	CHARACTERISTICS	SYMBOL	SPEC. AND/OR TEST METHOD	TEST CONDITIONS	CHANGE LIMITS (Δ)	UNIT
t to 8	Collector-Base Cut-off Current	I_{CEX}	As per Table 2	As per Table 2	± 8.0 or (1) ± 100	nA %
19 to 20	D.C. Forward Current Transfer Ratio 4	h_{FE4}	As per Table 2	As per Table 2	± 10	%
25 to 26	Collector-Emitter Saturation Voltage 1	$V_{CE(sat)1}$	As per Table 2	As per Table 2	± 30 or (1) ± 15	mV %

NOTES

1. Whichever is greater, referred to the initial value.

TABLE 5 - CONDITIONS FOR POWER BURN-IN AND OPERATING LIFE TESTS

No.	CHARACTERISTICS	SYMBOL	CONDITIONS	UNIT
1	Ambient Temperature	T_{amb}	$+ 25 \pm 3$	$^{\circ}C$
2	Collector-Base Voltage	V_{CB}	30	V
3	Power Dissipation	P_{tot}	0.4 (Note 1)	W

NOTES

1. Total power dissipation both sections.

FIGURE 5 - ELECTRICAL CIRCUIT FOR POWER BURN-IN AND OPERATING LIFE TESTS

Not applicable.



- 4.8 ENVIRONMENTAL AND ENDURANCE TESTS (CHARTS IV AND V OF ESA/SCC GENERIC SPECIFICATION NO. 5000)
- 4.8.1 Electrical Measurements on Completion of Environmental Tests
The parameters to be measured on completion of environmental tests are scheduled in Table 2. The measurements shall be performed at $T_{amb} = +22 \pm 3$ °C.
- 4.8.2 Electrical Measurements at Intermediate Points and on Completion of Endurance Tests
The parameters to be measured at intermediate points and on completion of endurance testing are scheduled in Table 6 of this specification. The measurements shall be performed at $T_{amb} = +22 \pm 3$ °C.
- 4.8.3 Conditions for Operating Life Tests (Part of Endurance Testing)
The requirements for operating life testing are specified in Section 9 of ESA/SCC Generic Specification No. 5000. The conditions for operating life testing shall be the same as specified in Table 5 for the power burn-in test.
- 4.8.4 Electrical Circuits for Operating Life Tests
The circuit to be used for performance of the operating life tests shall be the same as shown in Figure 5 for burn-in.
- 4.8.5 Conditions for High Temperature Storage Test (Part of Endurance Testing)
The requirements for the high temperature storage test are specified in ESA/SCC Generic Specification No. 5000. The temperature to be applied shall be the maximum storage temperature specified in Table 1(b) of this specification.

**TABLE 6 - ELECTRICAL MEASUREMENTS AT INTERMEDIATE POINTS AND ON COMPLETION OF ENDURANCE TESTING**

No.	CHARACTERISTICS	SYMBOL	SPEC. AND/OR TEST METHOD	TEST CONDITIONS	LIMITS		UNIT
					MIN.	MAX.	
7 to 8	Collector-Emitter Cut-off Current	I_{CEX}	As per Table 2	As per Table 2	-	15	nA
11 to 12	Emitter-Base Cut-off Current	I_{EBO}	As per Table 2	As per Table 2	-	30	nA
19 to 20	D.C. Forward Current Transfer Ratio 4	h_{FE4}	As per Table 2	As per Table 2	100	300	-
25 to 26	Collector-Emitter Saturation Voltage 1	$V_{CE(sat)1}$	As per Table 2	As per Table 2	-	0.3	V