



Pages 1 to 15

**CONTACTS, ELECTRICAL, CRIMP**  
**FOR 3401/008 AND 3401/011 CONNECTORS**  
**ESCC Detail Specification No. 3401/012**

**ISSUE 2**  
**October 2011**



Document Custodian: European Space Agency - see <https://escies.org>

	ESCC Detail Specification No. 3401/012		PAGE i ISSUE 2
----------------------------------------------------------------------------------	-------------------------------------------	--	-------------------

### **LEGAL DISCLAIMER AND COPYRIGHT**

European Space Agency, Copyright © 2011. All rights reserved.

The European Space Agency disclaims any liability or responsibility, to any person or entity, with respect to any loss or damage caused, or alleged to be caused, directly or indirectly by the use and application of this ESCC publication.

This publication, without the prior permission of the European Space Agency and provided that it is not used for a commercial purpose, may be:

- copied in whole in any medium without alteration or modification.
- copied in part, in any medium, provided that the ESCC document identification, comprising the ESCC symbol, document number and document issue, is removed.

**DOCUMENTATION CHANGE NOTICE**


(Refer to <https://escies.org> for ESCC DCR content)

DCR No.	CHANGE DESCRIPTION
614	Specification upissued to incorporate technical and editorial changes per DCR.

	<p style="text-align: center;">ESCC Detail Specification No. 3401/012</p>		<p>PAGE 3 ISSUE 2</p>
-----------------------------------------------------------------------------------	-------------------------------------------------------------------------------	--	---------------------------

**TABLE OF CONTENTS**

		<u>Page</u>
<b>1.</b>	<b><u>GENERAL</u></b>	<b>5</b>
1.1	Scope	5
1.2	Type Variants	5
1.3	Maximum Ratings	5
1.4	Parameter Derating Information	5
1.5	Physical Dimensions	5
<b>2.</b>	<b><u>APPLICABLE DOCUMENTS</u></b>	<b>9</b>
<b>3.</b>	<b><u>TERMS, DEFINITIONS, ABBREVIATIONS, SYMBOLS AND UNITS</u></b>	<b>9</b>
<b>4.</b>	<b><u>REQUIREMENTS</u></b>	<b>9</b>
4.1	General	9
4.2	Deviations from Generic Specification	9
4.2.1	Deviations from Special In-process Controls	9
4.2.2	Deviations from Final Production Tests	9
4.2.3	Deviations from Burn-in and Electrical Measurements	9
4.2.4	Deviations from Qualification Tests	9
4.2.5	Deviations from Lot Acceptance Tests	9
4.3	Mechanical Requirements	10
4.3.1	Dimension Check	10
4.3.2	Weight	10
4.3.3	Contact Capability	10
4.3.4	Contact Retention	10
4.3.5	Mating and Unmating Forces	10
4.3.6	Insert Retention	10
4.3.7	Jackscrew Retention	10
4.3.8	Contact Insertion and Withdrawal Forces	10
4.3.9	Engagement and Separation Forces	10
4.3.10	Oversize Pin Exclusion	10
4.3.11	Probe Damage	10
4.3.12	Solderability	10
4.4	Materials and Finishes	11
4.4.1	Shells	11
4.4.2	Inserts	11
4.4.3	Contacts	11
4.4.4	Contact Retaining Clip	11
4.4.5	Guiding and Locking Devices	11
4.4.6	Magnetism Level	11
4.5	Marking	11
4.5.1	General	11
4.5.2	The ESCC Component Number	11
4.5.3	Traceability Information	11
4.6	Electrical Measurements	12
4.6.1	Electrical Measurements at Room Temperature	12
4.6.2	Electrical Measurements at High and Low Temperatures	12
4.6.3	Circuits for Electrical Measurements	12
4.7	Burn-in and Electrical Measurements	12
4.8	Environmental and Endurance Tests	12
4.8.1	Measurements and Inspections on Completion of Environmental Tests	12
4.8.2	Measurements and Inspections at Intermediate Points during Endurance Tests	12
4.8.3	Measurements and Inspections on Completion of Endurance Tests	12
4.8.4	Conditions for Operating Life Test	12

	<p style="text-align: center;">ESCC Detail Specification No. 3401/012</p>		<p>PAGE 4 ISSUE 2</p>
-----------------------------------------------------------------------------------	-------------------------------------------------------------------------------	--	---------------------------

4.8.5	Electrical Circuits for Operating Life Test	<u>Page</u> 12
4.8.6	Conditions for High Temperature Storage Test	12

**TABLES**

1(a)	Type Variants	6
1(b)	Maximum Ratings	7
2	Electrical Measurements at Room Temperature	13
3	Not applicable	N/A
4	Not applicable	N/A
5	Not applicable	N/A
6	Measurements and Inspections on Completion of Environmental and Endurance Tests	14

**FIGURES**

1	Parameter Derating Information	7
2	Physical Dimensions	
	- Variants 01 and 03 - Male Contacts	8
	- Variants 02 and 04 - Female Contacts	8

**APPENDICES (Applicable to specific Manufacturers only)**

None.

	<p style="text-align: center;">ESCC Detail Specification No. 3401/012</p>		<p>PAGE 5 ISSUE 2</p>
-----------------------------------------------------------------------------------	-------------------------------------------------------------------------------	--	---------------------------

**1. GENERAL**

**1.1 SCOPE**

This specification details the ratings, physical and electrical characteristics, test and inspection data for Contacts, Electrical, Crimp, Gauge 22, for 3401/008 and 3401/011 Connectors.

These contacts shall be packed separately from the connectors and may be procured either with the connectors or separately.

This specification shall be read in conjunction with:

- ESCC Generic Specification No. 3401, Connectors, Electrical, Non-Filtered, Circular and Rectangular,
- ESCC Detail Specification No. 3401/008, Connectors, Miniature, Electrical, Circular, Push-Pull Coupling, Removable Crimp Contacts, Based on Type DBAS,
- ESCC Detail Specification No. 3401/011, Connectors, Electrical, Rectangular, Central Jackscrew Coupling, Removable Crimp Contacts, Based on Type U.R,

the requirements of which are supplemented herein.

**1.2 TYPE VARIANTS**

The different sizes of contacts specified herein, which are also covered by this specification are scheduled in Table 1(a).

**1.3 MAXIMUM RATINGS**

The maximum ratings, which shall not be exceeded at any time during use or storage, applicable to the contacts specified herein, are scheduled in Table 1(b).

**1.4 PARAMETER DERATING INFORMATION (FIGURE 1)**

Not applicable.

**1.5 PHYSICAL DIMENSIONS**

The physical dimensions of the contacts specified herein are shown in Figure 2.



**TABLE 1(a) - TYPE VARIANTS**

VAR- IANT	TYPE	MATING END SIZE COLOUR	CRIMP BARREL SIZE COLOUR	RATED CUR- RENT  A	ACCEPT WIRE  AWG	MAX WEIGHT  g	ENGAGEMENT & SEPARATION		CONTACT CAPABILITY				CON- TACT RETENT. FORCE MAX  N	CON- TACT INSERT WITHDR FORCES MAX  N	PROBE DAMAGE			OVERSIZE PIN EXCL.		
							ENGAG. FORCES N (1)	SEPAR. FORCES N (1)	TEST PINS DIA mm		WEIGHT				MO- MENT  N.cm	PROBE DIA mm		FORCE MAX  N	TEST PIN DIA mm	
									min.	max.	Pick-up (2) g	Drop (3) g				min	max		min	max
01	Male					0.78	-	-	-	-	-	-	40	18.50	-	-	-	-	-	-
02	Female	22 Green	22 Green	5.0	22 24	0.075	3.33 -	2.22 0.20	0.710 0.713	0.747 0.750	- 14.2	230 -	40	18.50	1.40	0.710	0.713	3.33	0.837	0.841
03	Male					0.078	-	-	-	-	-	-	40	18.50	-	-	-	-	-	-
04	Female	22 Green	26 White	2.5	26 28 30	0.075	3.33 -	2.22 0.20	0.710 0.713	0.747 0.750	- 14.2	230 -	40	18.50	1.40	0.710	0.713	3.33	0.837	0.841

**NOTES**

- 1st line, maximum values with maximum diameter test pin;  
2nd line, minimum values with minimum diameter test pin.
- With minimum diameter test pin and minimum insertion depth of 3.0mm.
- With maximum diameter test pin and minimum insertion depth of 3.0mm.

**TABLE 1(b) - MAXIMUM RATINGS**

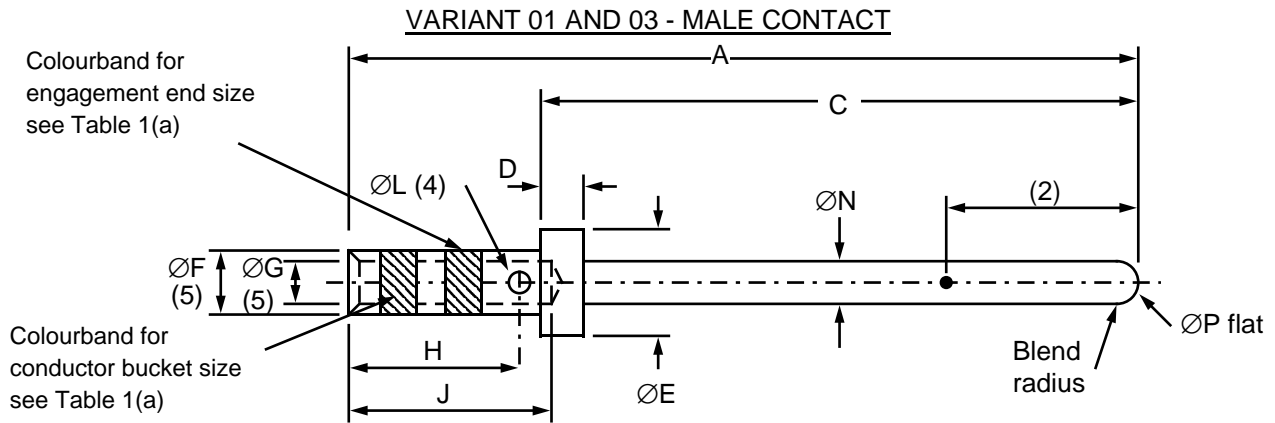
No.	CHARACTERISTICS	SYMBOL	MAXIMUM RATING		UNIT
			MIN.	MAX.	
1	Rated Current	$I_{CR}$	-	See Table 1(a)	A
2	Operating Temperature Range	$T_{op}$	-55	+125	°C
3	Storage Temperature Range	$T_{stg}$	-65	+125	°C

**FIGURE 1 - PARAMETER DERATING INFORMATION**

Not applicable.



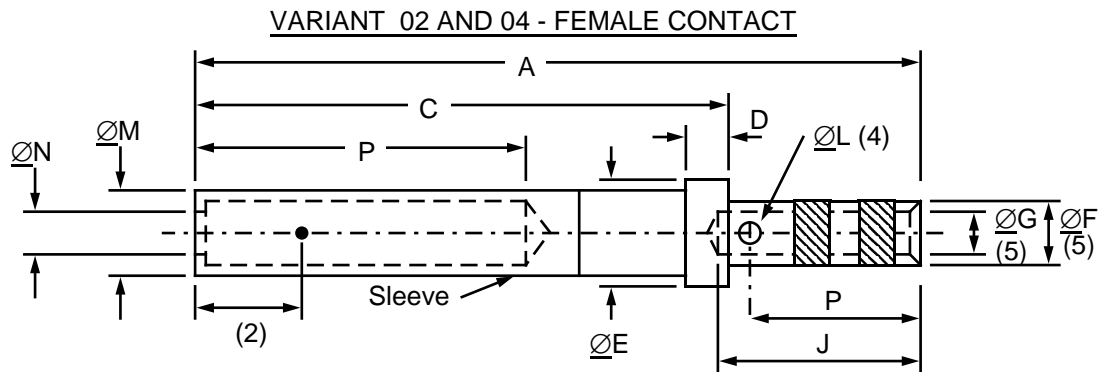
**FIGURE 2 - PHYSICAL DIMENSIONS (CONTINUED)**



	A	<u>C</u>	<u>D</u>	<u>ØE</u>	<u>ØF</u>	<u>ØG</u>	<u>ØG</u>	H	J	<u>ØL</u>	<u>ØN</u>	<u>ØP</u>
Min.	-	7.45	0.85	1.45	1.15	0.89	0.79	2.7	3.36	0.37	0.71	-
Max.	12.00	7.56	0.90	1.50	1.20	0.94	0.84	2.9	3.40	0.63	0.74	0.25

**NOTES**

- All dimensions are in millimetres.
- Measurement point for plating thickness: 4.0±1.0.
- Underlined dimensions, in table, are critical to ensure intermateability and interchangeability.
- Inspection hole may be ØL square and shall only penetrate one wall of the crimp barrel.
- ØF and ØG to be concentric within 0.04.



	A	<u>C</u>	<u>D</u>	<u>ØE</u>	<u>ØF</u>	<u>ØG</u>	<u>ØG</u>	H	J	<u>ØL</u>	<u>ØM</u>	<u>ØN</u>	<u>P</u>
Min.	-	-	0.86	1.45	1.15	0.89	0.79	2.7	3.36	0.37	-	0.75	4.56
Max.	11.64	7.20	0.91	1.50	1.20	0.94	0.84	2.9	3.40	0.63	1.31	-	5.00

**NOTES**

- All dimensions are in millimetres.
- Measurement point for plating thickness: 2.0±1.0.
- Underlined dimensions, in table, are critical to ensure intermateability and interchangeability.
- Inspection hole may be ØL square and shall only penetrate one wall of the crimp barrel.
- ØF and ØG to be concentric within 0.04.



## 2. **APPLICABLE DOCUMENTS**

The following documents form part of this specification and shall be read in conjunction with it:-

- (a) ESCC Generic Specification No. 3401, Connectors, Electrical, Non-Filtered, Circular and Rectangular.
- (b) ESCC Detail Specification No. 3401/008, Connectors, Miniature, Electrical, Circular, Push-Pull Coupling, Removable Crimp Contacts, Based on Type DBAS.
- (c) ESCC Detail Specification No. 3401/011, Connectors, Electrical, Rectangular, Central Jackscrew Coupling, Removable Crimp Contacts, Based on Type U.R.
- (d) MIL-G-45204, Gold Plating, Electro-deposited.
- (e) MIL-C-14450, Copper Plating, Electro-deposited.

## 3. **TERMS, DEFINITIONS, ABBREVIATIONS, SYMBOLS AND UNITS**

For the purpose of this specification, the terms, definitions, abbreviations, symbols and units specified in ESCC Basic Specification No. 21300 shall apply.

## 4. **REQUIREMENTS**

### 4.1 **GENERAL**

The complete requirements for procurement of the contacts specified herein are stated in this specification and ESCC Generic Specification No. 3401. Deviations from the Generic Specification, applicable to this Detail Specification only, are listed in Para. 4.2.

Deviations from the applicable Generic Specification and this Detail Specification, formally agreed with specific Manufacturers on the basis that the alternative requirements are equivalent to the ESCC requirements and do not affect the components' reliability, are listed in the appendices attached to this specification.

### 4.2 **DEVIATIONS FROM GENERIC SPECIFICATION**

#### 4.2.1 **Deviations from Special In-process Controls**

None.

#### 4.2.2 **Deviations from Final Production Tests (Chart II)**

None.

#### 4.2.3 **Deviations from Burn-in and Electrical Measurements (Chart III)**

Not applicable.

#### 4.2.4 **Deviations from Qualification Tests (Chart IV)**

- (a) Para. 9.31, Solderability: Not applicable.

#### 4.2.5 **Deviations from Lot Acceptance Tests (Chart V)**

- (a) Para. 9.31, Solderability: Not applicable.



### 4.3 MECHANICAL REQUIREMENTS

#### 4.3.1 Dimension Check

The dimensions of the contacts specified herein shall be verified in accordance with the requirements set out in Para. 9.6 of ESCC Generic Specification No. 3401 and shall conform to those shown in Figure 2 of this specification. Only the underlined dimensions shall be checked during procurement.

#### 4.3.2 Weight

The maximum weight of the contacts specified herein shall be as specified in Table 1(a).

#### 4.3.3 Contact Capability

For the purpose of this test, the pick-up and drop weights shall be as specified in Table 1(a).

#### 4.3.4 Contact Retention (in insert)

The contact retention force shall be as specified in Table 1(a).

#### 4.3.5 Mating and Unmating Forces

As specified in ESCC Detail Specification No. 3401/008 and 3401/011.

#### 4.3.6 Insert Retention (In Shell)

As specified in ESCC Detail Specification No. 3401/008 and 3401/011.

#### 4.3.7 Jackscrew Retention

As specified in ESCC Detail Specification No. 3401/008 and 3401/011.

#### 4.3.8 Contact Insertion and Withdrawal Forces

The contact insertion and withdrawal forces shall be as specified in Table 1(a).

#### 4.3.9 Engagement and Separation Forces

The diameter of the test pin and the engagement and separation forces of the female contacts shall be as specified in Table 1(a).

#### 4.3.10 Oversize Pin Exclusion

The diameter of the test pin and the force applied to it shall be as specified in Table 1(a).

#### 4.3.11 Probe Damage

The probe diameter and the moment at the end of the probe shall be as specified in Table 1(a).

#### 4.3.12 Solderability

Not applicable.



4.4 MATERIALS AND FINISHES

The materials and finishes shall be as specified herein. Where a definite material is not specified, a material which will enable the connectors specified herein to meet the performance requirements of this specification shall be used. Acceptance or approval of any constituent material does not guarantee acceptance of the finished product.

4.4.1 Shells

As specified in ESCC Detail Specification No. 3401/008 and 3401/011.

4.4.2 Inserts

As specified in ESCC Detail Specification No. 3401/008 and 3401/011.

4.4.3 Contacts

The contact body shall be made of copper alloy with an underplate of 1.0µm minimum of copper to MIL-C-14450, gold plated with 2.5µm of gold, Type 2 Grade C of MIL-G-45204.

4.4.4 Contact Retaining Clip

As specified in ESCC Detail Specification No. 3401/008 and 3401/011.

4.4.5 Guiding and Locking Devices

As specified in ESCC Detail Specification No. 3401/008 and 3401/011.

4.4.6 Magnetism Level

As specified in ESCC Detail Specification No. 3401/008 and 3401/011.

4.5 MARKING

4.5.1 General

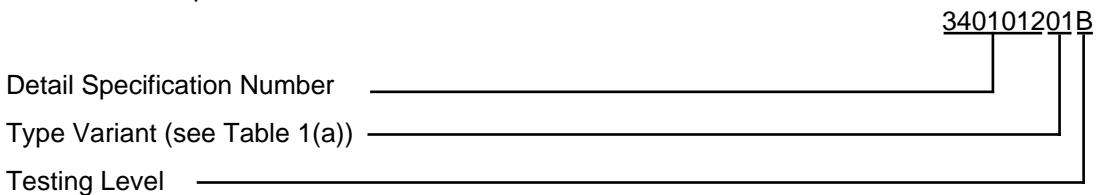
The marking of all components delivered to this specification shall be in accordance with the requirements of ESCC Basic Specification No. 21700 and the following subparagraphs.

These components being too small to accommodate the marking as specified hereafter, the full marking information shall accompany each lot of components in its primary package. Such marking shall comprise:-

- (a) The ESCC Component Number.
- (b) Traceability information.

4.5.2 The ESCC Component Number

The ESCC component number shall be constituted and marked as follows:-



4.5.3 Traceability Information

Traceability information shall be marked in accordance with ESCC Basic Specification No. 21700.



#### 4.6 ELECTRICAL MEASUREMENTS

##### 4.6.1 Electrical Measurements at Room Temperature

The parameters to be measured in respect of electrical characteristics are scheduled in Table 2. Unless otherwise specified these measurements shall be performed at  $T_{amb}=+22\pm 3$  °C.

##### 4.6.2 Electrical Measurements at High and Low Temperatures (Table 3)

Not applicable.

##### 4.6.3 Circuit for Electrical Measurements (Figure 4)

Not applicable.

#### 4.7 BURN-IN AND ELECTRICAL MEASUREMENTS (TABLES 4 AND 5)

Not applicable.

#### 4.8 ENVIRONMENTAL AND ENDURANCE TESTS

##### 4.8.1 Measurements and Inspections on Completion of Environmental Tests

The parameters to be measured and inspections to be performed on completion of environmental testing are scheduled in Table 6. Unless otherwise specified, these measurements shall be performed at  $T_{amb}=+22\pm 3$  °C.

##### 4.8.2 Measurements and Inspections at Intermediate Points during Endurance Tests

Not applicable.

##### 4.8.3 Measurements and Inspections on Completion of Endurance Tests

The parameters to be measured and inspections to be performed on completion of endurance tests shall be those specified in Table 6. Unless otherwise specified, these measurements shall be performed at  $T_{amb}=+22\pm 3$  °C.

##### 4.8.4 Conditions for Operating Life Test (Part of Endurance Testing)

Not applicable.

##### 4.8.5 Electrical Circuits for Operating Life Test

Not applicable.

##### 4.8.6 Conditions for High Temperature Storage Test (Part of Endurance Testing)

The requirements for the high temperature storage test are specified in Section 9 of ESCC Generic Specification No. 3401. The conditions for high temperature storage testing shall be the maximum storage temperature specified in Table 1(b) of this specification.

**TABLE 2 - ELECTRICAL MEASUREMENTS AT ROOM TEMPERATURE**

No.	CHARACTERISTICS	SYMBOL	SPEC. AND/OR TEST METHOD	TEST CONDITION	VARIANTS	LIMITS		UNIT
						MIN.	MAX.	
1	Contact Resistance (Low Level Current)	Rcl	ESCC No. 3401 Para 9.1.1.3	Para 9.1.1.3	All	-	6.0	mΩ
2	Contact Resistance (Rated Current)	Rcr	ESCC No. 3401 Para 9.1.1.3	Para 9.1.1.3  5.0A	All	- - -	5.0 5.0 5.0	mΩ mΩ mΩ

**TABLES 3, 4 AND 5**

Not applicable.



**TABLE 6 - MEASUREMENTS AND INSPECTIONS ON COMPLETION OF ENVIRONMENTAL AND ENDURANCE TESTS**

NO.	ESCC GENERIC NO. 3401		MEASUREMENTS AND INSPECTIONS		SYMBOL	LIMITS		UNIT
	ENVIRONMENTAL AND ENDURANCE TESTS (1)	TEST METHOD AND CONDITIONS	IDENTIFICATION	CONDITIONS		MIN	MAX	
01	Wiring	Para. 9.10 & Table 1(a) of this spec.	Low Level Contact Resistance	Table 2 Item 1	Rcl	Table 2 Item 1		
02	Vibration	Para. 9.11	ESCC 3401/008 & 3401/011					
03	Shock or Bump	Para. 9.12	ESCC 3401/008 & 3401/011					
04	Climatic Sequence	Para. 9.13	ESCC 3401/008 & 3401/011					
05	Seal Test	Para. 9.9	ESCC 3401/008 & 3401/011					
06	Plating Thickness	Para. 9.14	Thickness	-	-	Para. 4.4.3 of this spec		
07	Joint Strength	Para. 9.15	ESCC 3401 Para 9.15					
08	Rapid Change of Temperature	Para. 9.16	ESCC 3401/008 & 3401/011					
09	Contact Retention (in insert)	Para. 9.17 & Para. 4.3.4 of this spec.	Contact Displacement		-	ESCC 3401 Para. 9.17		
10	Endurance	Para. 9.18	<b>Initial</b> Low Level Contact Resist	Table 2 Item 1	Rcl	Record Values		mΩ
			<b>Final</b> Low Level Contact Resistance Drift	Table 2 Item 1	ΔRcl	-	3.0	
11	Permanence of Marking	Para. 9.19	As applicable					
12	Mating/Unmating Forces	Para. 9.20	ESCC 3401/008 & 3401/011					
13	High Temperature Storage	Para. 9.21	<b>Initial</b> Low Level Contact Resist	Table 2 Item 1	Rcl	Record Values		mΩ
			<b>Final</b> Low Level Contact Resistance Drift	Table 2 Item 1	ΔRcl	-	3.0	
			Rated Current Contact Resistance	Table 2 Item 2	Rcr	Table 2 Item 2		
			Contact Retention (in insert)	Para. 4.3.4 of this spec.	-	ESCC 3401 Para. 9.17		
14	Corrosion	Para. 9.22	Visual Examination					

**NOTES**

1. The tests in this table refer to either Chart IV or V and shall be used as applicable.

**TABLE 6 - MEASUREMENTS AND INSPECTIONS ON COMPLETION OF ENVIRONMENTAL AND ENDURANCE TESTS (CONTINUED)**

NO.	ESCC GENERIC NO. 3401		MEASUREMENTS AND INSPECTIONS		SYMBOL	LIMITS		UNIT
	ENVIRONMENTAL AND ENDURANCE TESTS (1)	TEST METHOD AND CONDITIONS	IDENTIFICATION	CONDITIONS		MIN	MAX	
15	Insert Retention (in shell)	Para. 9.23 & Para. 4.3.6 of this spec.	ESCC 3401/008 & 3401/011					
16	Jackscrew Retention	Para. 9.24 & Para. 4.3.7 of this spec.	ESCC 3401/008 & 3401/011					
17	High Temperature Measurements	Para. 9.25	ESCC 3401/008 & 3401/011					
18	Overload Test	Para. 9.26	Rated Current Contact Resistance	Table 2 Item 2	Rcr	Table 2 Item 2		
19	Maintenance Aging	Para. 9.27	Visual Examination Contact Retention  Contact Insertion & Withdrawal Forces	- Para. 4.3.4 of this spec. Para. 4.3.8 of this spec.	- - -	- - ESCC 3401 Para. 9.17 Para. 4.3.8		
20	Engage/Separation Forces	Para. 9.28 & Para. 4.3.9 of this spec.	Force		-	Para. 4.3.9		
21	Oversize Pin Exclusion	Para. 9.29 & Para. 4.3.10 of this spec.			-	ESCC 3401 Para. 9.29		
22	Probe Damage	Para. 9.30 & Para. 4.3.11 of this spec.	Contact Separation Force	Para. 4.3.9 of this spec.	-	Para. 4.3.9		
23	Solderability	Para. 9.31 & Para. 4.3.12 of this spec.	Not applicable					

**NOTES**

1. The tests in this table refer to either Chart IV or V and shall be used as applicable.