



**INTEGRATED CIRCUITS, SILICON MONOLITHIC,
CMOS 8-BIT MICRO-CONTROLLER,
BASED ON TYPES 80C32E AND 80C52E
ESCC Detail Specification No. 9521/002**

**ISSUE 1
October 2002**



	ESCC Detail Specification		PAGE ii ISSUE 1
--	---------------------------	--	--------------------

LEGAL DISCLAIMER AND COPYRIGHT

European Space Agency, Copyright © 2002. All rights reserved.

The European Space Agency disclaims any liability or responsibility, to any person or entity, with respect to any loss or damage caused, or alleged to be caused, directly or indirectly by the use and application of this ESCC publication.

This publication, without the prior permission of the European Space Agency and provided that it is not used for a commercial purpose, may be:

- copied in whole in any medium without alteration or modification.
- copied in part, in any medium, provided that the ESCC document identification, comprising the ESCC symbol, document number and document issue, is removed.



europaean space agency
agence spatiale européenne

Pages 1 to 75

**INTEGRATED CIRCUITS, SILICON MONOLITHIC,
CMOS 8-BIT MICRO-CONTROLLER,
BASED ON TYPES 80C32E AND 80C52E
ESA/SCC Detail Specification No. 9521/002**



**space components
coordination group**

Issue/Rev.	Date	Approved by	
		SCCG Chairman	ESA Director General or his Deputy
Issue 1	February 1996	<i>Pommes</i>	<i>Hoorn</i>
Revision 'A'	June 1997	<i>San Miller</i>	<i>Hoorn</i>

**SCC**ESA/SCC Detail Specification
No. 9521/002

Rev. 'A'

PAGE 2

ISSUE 1

DOCUMENTATION CHANGE NOTICE

Rev. Letter	Rev. Date	Reference	CHANGE Item	Approved DCR No.
'A'	Apr. '97	P1. Cover page P2. DCN P20. Figure 3(b) P47. Table 2 a.c. P60. Table 3 a.c. P65. Figure 4(g) P74. Figure 6	: In External Data Memory Write Cycle waveforms, "TDVWX" corrected to "TQVWX" : Nos. 368 to 369, Min. limit amended : Nos. 368 to 369, Min. limit amended : 1st waveforms, Title corrected : 2nd waveforms, Title corrected : , "TPLAX" corrected to "TPLAZ" : , "TPXTX" corrected to "TPXIX" : After correction, 1st and 2nd waveforms reversed in sequence : 3rd waveforms, "TDVWX" corrected to "TQVWX" : Pin 18 made "open" : Pins 21 to 30 and 32 to 39 connected to 5.0V	None None 23847 221404 221404 23847 23847 23847 23847 23847 23847 23847 221394 221394

**SCC**ESA/SCC Detail Specification
No. 9521/002

PAGE 3

ISSUE 1

TABLE OF CONTENTS

	<u>Page</u>
1. <u>GENERAL</u>	5
1.1 Scope	5
1.2 Component Type Variants	5
1.3 Maximum Ratings	5
1.4 Parameter Derating Information	5
1.5 Physical Dimensions	5
1.6 Pin Assignment	5
1.7 Truth Table/Instruction Set	5
1.8 Circuit Description	5
1.9 Functional Diagram	5
1.10 Handling Precautions	5
1.11 Input Protection Networks	5
2. <u>APPLICABLE DOCUMENTS</u>	33
3. <u>TERMS, DEFINITIONS, ABBREVIATIONS, SYMBOLS AND UNITS</u>	33
4. <u>REQUIREMENTS</u>	34
4.1 General	34
4.2 Deviations from Generic Specification	34
4.2.1 Deviations from Special In-process Controls	34
4.2.2 Deviations from Final Production Tests	34
4.2.3 Deviations from Burn-in Tests	34
4.2.4 Deviations from Qualification Tests	34
4.2.5 Deviations from Lot Acceptance Tests	34
4.3 Mechanical Requirements	34
4.3.1 Dimension Check	34
4.3.2 Weight	34
4.4 Materials and Finishes	34
4.4.1 Case	35
4.4.2 Lead Material and Finish	35
4.5 Marking	35
4.5.1 General	35
4.5.2 Lead Identification	35
4.5.3 The SCC Component Number	35
4.5.4 Traceability Information	35
4.6 Electrical Measurements	36
4.6.1 Electrical Measurements at Room Temperature	36
4.6.2 Electrical Measurements at High and Low Temperatures	36
4.6.3 Circuits for Electrical Measurements	36
4.7 Burn-in Tests	36
4.7.1 Parameter Drift Values	36
4.7.2 Conditions for Power Burn-in	36
4.7.3 Electrical Circuits for Power Burn-in	36
4.8 Environmental and Endurance Tests	70
4.8.1 Electrical Measurements on Completion of Environmental Tests	70
4.8.2 Electrical Measurements at Intermediate Points during Endurance Tests	70
4.8.3 Electrical Measurements on Completion of Endurance Tests	70
4.8.4 Conditions for Operating Life Tests	70
4.8.5 Electrical Circuits for Operating Life Tests	70
4.8.6 Conditions for High Temperature Storage Test	70



	<u>Page</u>
4.9 Total Dose Irradiation Testing	70
4.9.1 Application	70
4.9.2 Bias Conditions	70
4.9.3 Electrical Measurements	70

TABLES

1(a) Type Variants	6
1(b) Maximum Ratings	6
2 Electrical Measurements at Room Temperature - d.c. Parameters	37
Electrical Measurements at Room Temperature - a.c. Parameters	44
3 Electrical Measurements at High and Low Temperatures - d.c. Parameters	50
3 Electrical Measurements at High and Low Temperatures - a.c. Parameters	57
4 Parameter Drift Values	67
5 Conditions for Power Burn-in and Operating Life Tests	68
6 Electrical Measurements on Completion of Environmental Tests and at Intermediate Points and on Completion of Endurance Tests	71
7 Electrical Measurements During and on Completion of Irradiation Testing	75

FIGURES

1 Parameter Derating Information	6
2 Physical Dimensions	7
3(a) Pin Assignment	10
3(b) Truth Table/Instruction Set	12
3(c) Circuit Description	23
3(d) Functional Diagram	31
3(e) Input Protection Networks	32
4 Circuits for Electrical Measurements	62
5 Electrical Circuit for Power Burn-in and Operating Life Tests	69
6 Bias Conditions for Irradiation Testing	74

APPENDICES (Applicable to specific Manufacturers only)

None.

**1. GENERAL****1.1 SCOPE**

This specification details the ratings, physical and electrical characteristics, test and inspection data for a silicon monolithic, CMOS 8-Bit Micro-Controller, based on Types 80C32E and 80C52E. It shall be read in conjunction with ESA/SCC Generic Specification No. 9000, the requirements of which are supplemented herein.

1.2 COMPONENT TYPE VARIANTS

Variants of the basic type integrated circuits specified herein, which are also covered by this specification, are given in Table 1(a).

1.3 MAXIMUM RATINGS

The maximum ratings, which shall not be exceeded at any time during use or storage, applicable to the integrated circuits specified herein, are as scheduled in Table 1(b).

1.4 PARAMETER DERATING INFORMATION (FIGURE 1)

Not applicable.

1.5 PHYSICAL DIMENSIONS

As per Figure 2.

1.6 PIN ASSIGNMENT

As per Figure 3(a).

1.7 TRUTH TABLE/INSTRUCTION SET

As per Figure 3(b).

1.8 CIRCUIT DESCRIPTION

As per Figure 3(c).

1.9 FUNCTIONAL DIAGRAM

As per Figure 3(d).

1.10 HANDLING PRECAUTIONS

These devices are susceptible to damage by electrostatic discharge. Therefore, suitable precautions shall be employed for protection during all phases of manufacture, testing, packaging, shipment and any handling.

These components are categorised as Class 1 with a Minimum Critical Path Failure Voltage of 500Volts.

1.11 INPUT PROTECTION NETWORKS

Protection Networks shall be incorporated into each input as shown in Figure 3(e).

**TABLE 1(a) - TYPE VARIANTS**

VARIANT	BASED ON TYPE	CASE	FIGURE	LEAD MATERIAL AND/OR FINISH
01	80C32E	D.I.L.	2(a)	D2
02	80C32E	JLCC44	2(b)	G3
03	80C32E	LCC44	2(c)	2
04	80C52E	D.I.L.	2(a)	D2
05	80C52E	JLCC44	2(b)	G3
06	80C52E	LCC44	2(c)	2

TABLE 1(b) - MAXIMUM RATINGS

No.	CHARACTERISTICS	SYMBOL	MAXIMUM RATINGS	UNIT	REMARKS
1	Supply Voltage	V_{DD}	-0.3 to +7.0	V	Note 1
2	Input Voltage	V_{IN}	-0.3 to $+V_{DD} + 0.3$	V	Note 2 Power On
3	Output Current	$\pm I_{OUT}$	80	mA	Note 3
4	Device Dissipation (Continuous)	P_D	0.3	W	Per package
5	Operating Temperature Range	T_{op}	-55 to +125	°C	T_{amb}
6	Storage Temperature Range	T_{stg}	-65 to +150	°C	-
7	Soldering Temperature For DIL and FP For CCP	T_{sol}	+265 +245	°C	Note 4 Note 5
8	Junction Temperature	T_J	165	°C	-
9	Thermal Resistance	$R_{TH(J-A)}$	30	°C/W	-

NOTES

- Device is functional from +4.5V to +5.5V with reference to Ground.
- $V_{DD} + 0.3$ should not exceed +7.0V.
- The maximum output current of any single output.
- Duration 10 seconds maximum at a distance of not less than 1.5mm from the device body and the same lead shall not be resoldered until 3 minutes have elapsed.
- Duration 10 seconds maximum and the same terminal shall not be resoldered until 3 minutes have elapsed.

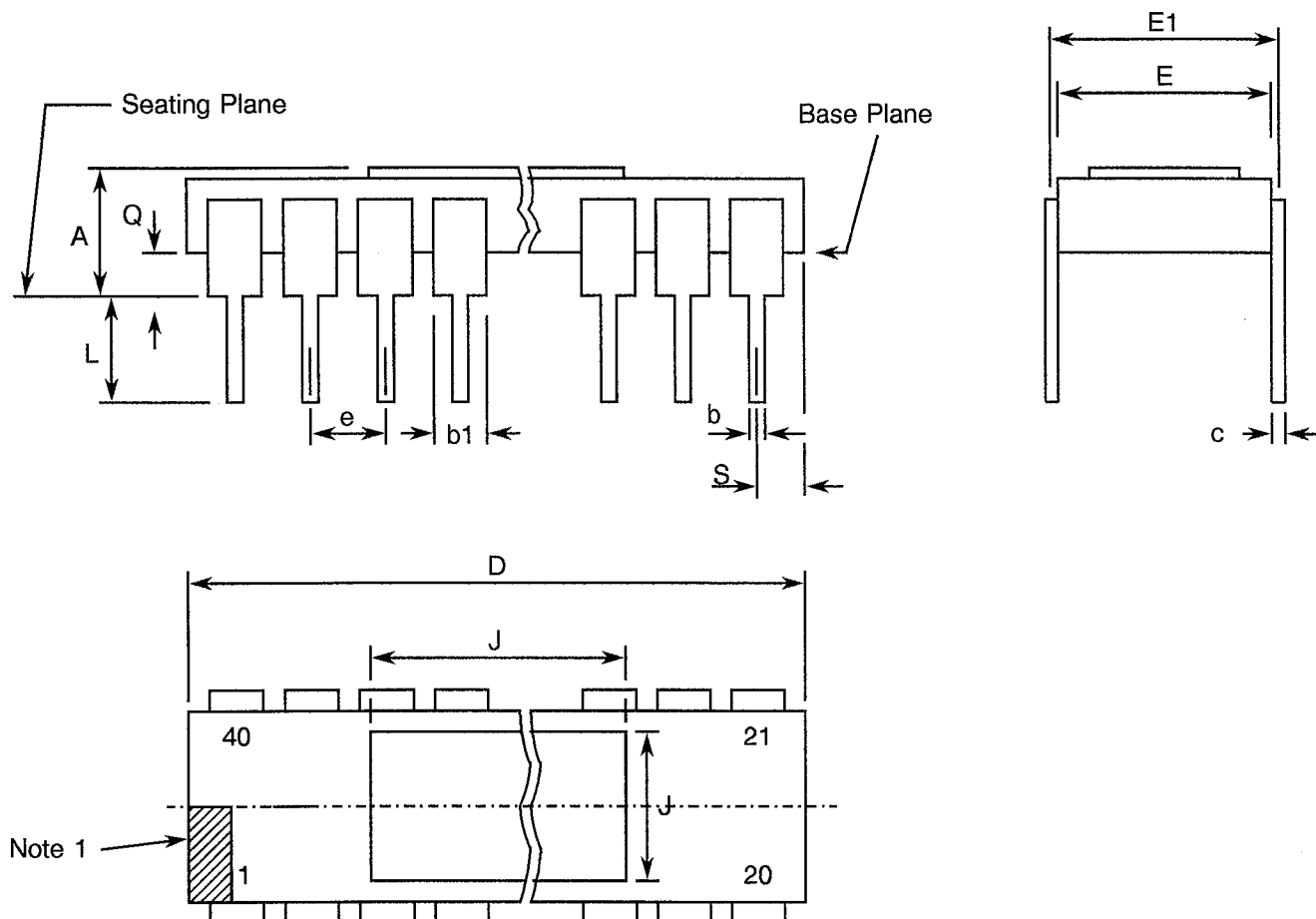
FIGURE 1 - PARAMETER DERATING INFORMATION

Not applicable.



FIGURE 2 - PHYSICAL DIMENSIONS

FIGURE 2(a) - DUAL-IN-LINE PACKAGE, 40 PIN



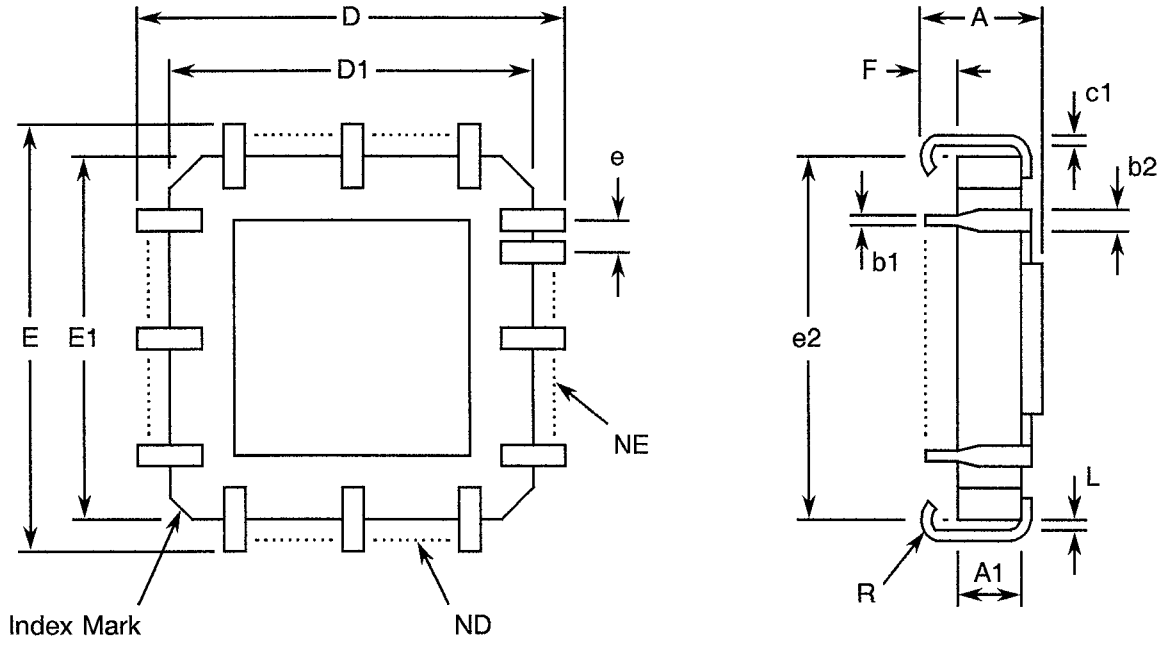
SYMBOL	MILLIMETRES		NOTES
	MIN	MAX	
A	2.20	4.80	
b	0.38	0.58	3
b1	0.97	1.52	3
c	0.20	0.38	
D	50.30	51.58	
E	14.74	15.49	
E1	15.12	15.87	
e	2.54 TYP		4
J	10.80 TYP		4
L	3.18	4.44	3
Q	0.51	1.77	2
S	0.77	1.65	5

NOTES: See Page 10.



FIGURE 2 - PHYSICAL DIMENSIONS (CONTINUED)

FIGURE 2(b) - CENTRE LEADED CHIP CARRIER, 44 LEADS



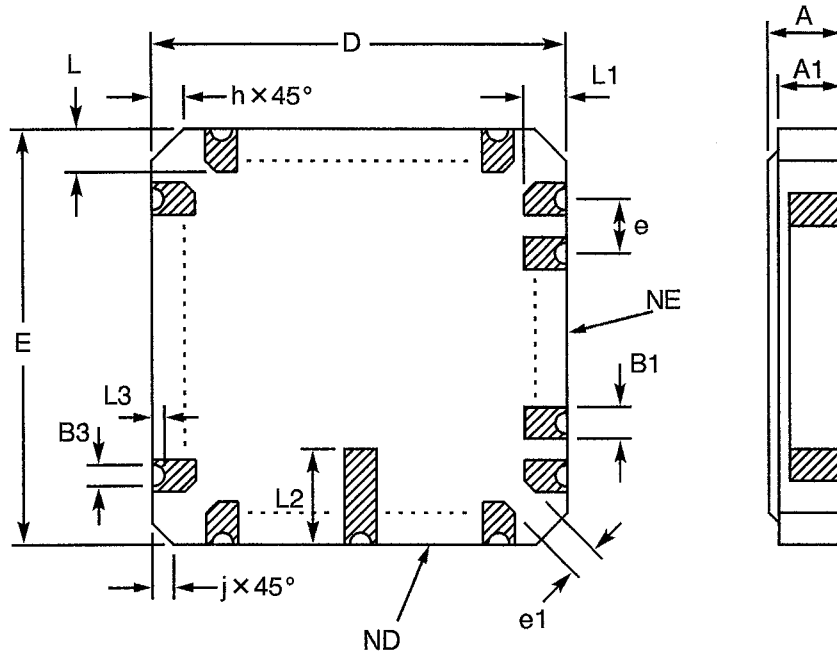
SYMBOL	MILLIMETERS		NOTES
	MIN.	MAX.	
A	2.95	4.82	
A1	1.65 NOM.		
b1	0.33	0.50	
b2	0.55	0.88	
c1	0.17	0.25	
D/E	17.14	17.78	
D1/E1	15.74	16.76	
e	1.27 BSC		
e2	16.00 BSC		
F	0.023	-	
L	0.12	-	
ND/NE	11		
R	0.50	1.01	

NOTES: See Page 10.



FIGURE 2 - PHYSICAL DIMENSIONS (CONTINUED)

FIGURE 2(c) - CENTRE LEADLESS CHIP CARRIER, 44 LEADS



SYMBOL	MILLIMETERS		NOTES
	MIN.	MAX.	
A	1.63	3.05	
A1	1.37	2.23	
B1	0.56	0.71	
B3	0.15	0.56	
D/E	16.25	16.82	
e	1.27 BSC		
e1	0.38	-	
h	1.02 REF		
j	0.51 REF		
L/L1	1.14	1.40	
L2	1.90	2.41	
L3	0.08	0.38	
ND/NE	11/11		

NOTES: See Page 10.



FIGURE 2 - PHYSICAL DIMENSIONS (CONTINUED)

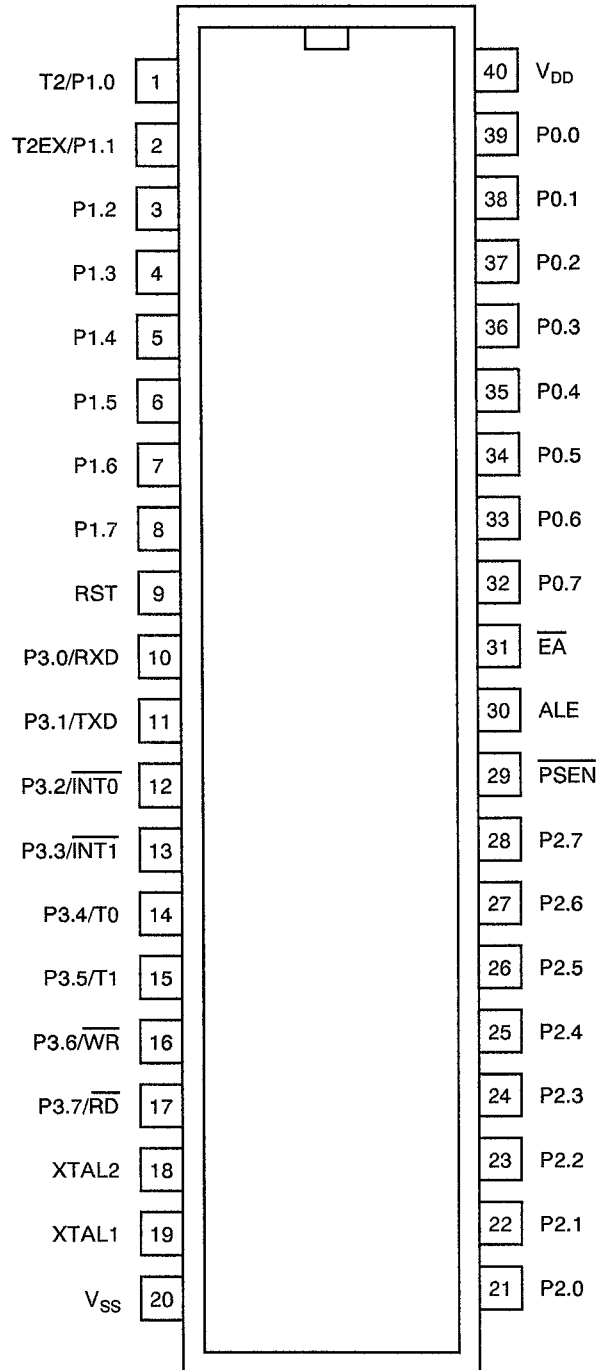
NOTES TO FIGURES 2(a) TO 2(c) INCLUSIVE

1. Index area; a notch, letter or dot shall be located adjacent to Pin 1 and shall be within the shaded area shown.
2. The dimension shall be measured from the seating plane to the base plane.
3. All leads or terminals.
4. 38 spaces.
5. All 4 corners.
6. Lead centre when α is 0° .



FIGURE 3(a) - PIN ASSIGNMENT

DUAL-IN-LINE PACKAGE

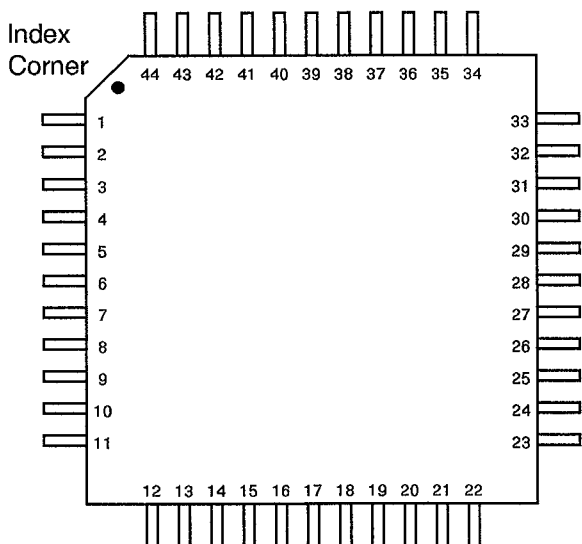


TOP VIEW

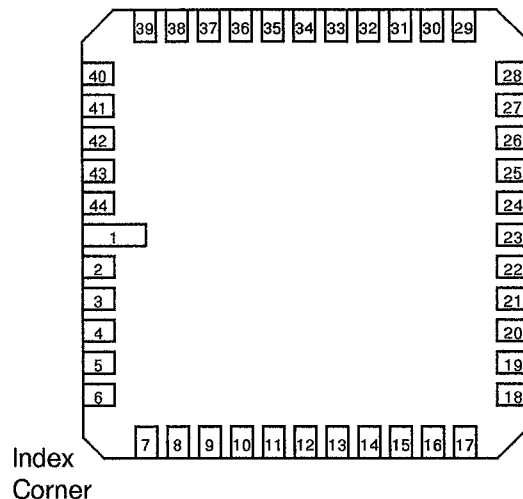


FIGURE 3(a) - PIN ASSIGNMENT (CONTINUED)

LEADED CHIP CARRIER PACKAGE (JLCC)



LEADLESS CHIP CARRIER PACKAGE (LCC)



Pin No.	Description	Pin No.	Description
1	P1.5	23	P2.5
2	P1.6	24	P2.6
3	P1.7	25	P2.7
4	RST	26	$\overline{\text{PSEN}}$
5	P3.0/RXD	27	ALE
6	N/C	28	N/C
7	P3.1/TXD	29	$\overline{\text{EA}}$
8	P3.2/ $\overline{\text{INT0}}$	30	P0.7
9	P3.3/ $\overline{\text{INT1}}$	31	P0.6
10	P3.4/T0	32	P0.5
11	P3.5/T1	33	P0.4
12	P3.6/ $\overline{\text{WR}}$	34	P0.3
13	P3.7/ $\overline{\text{RD}}$	35	P0.2
14	XTAL2	36	P0.1
15	XTAL1	37	P0.0
16	V _{SS}	38	V _{DD}
17	N/C	39	N/C
18	P2.0	40	T2/P1.0
19	P2.1	41	T2EX/P1.1
20	P2.2	42	P1.2
21	P2.3	43	P1.3
22	P2.4	44	P1.4

Pin No.	Description	Pin No.	Description
1	N/C	23	N/C
2	T2/P1.0	24	P2.0
3	T2EX/P1.1	25	P2.1
4	P1.2	26	P2.2
5	P1.3	27	P2.3
6	P1.4	28	P2.4
7	P1.5	29	P2.5
8	P1.6	30	P2.6
9	P1.7	31	P2.7
10	RST	32	$\overline{\text{PSEN}}$
11	P3.0/RXD	33	ALE
12	N/C	34	N/C
13	P3.1/TXD	35	$\overline{\text{EA}}$
14	P3.2/ $\overline{\text{INT0}}$	36	P0.7
15	P3.3/ $\overline{\text{INT1}}$	37	P0.6
16	P3.4/T0	38	P0.5
17	P3.5/T1	39	P0.4
18	P3.6/ $\overline{\text{WR}}$	40	P0.3
19	P3.7/ $\overline{\text{RD}}$	41	P0.2
20	XTAL2	42	P0.1
21	XTAL1	43	P0.0
22	V _{SS}	44	V _{DD}

**FIGURE 3(b) - TRUTH TABLE/INSTRUCTION SET**INSTRUCTIONS IN HEXADECIMAL ORDER

HEX CODE	NUMBER OF BYTES	MNEMONIC	OPERANDS
00	1	NOP	
01	2	AJMP	code addr
02	3	LJMP	code addr
03	1	RR	A
04	1	INC	A
05	2	INC	data addr
06	1	INC	@R0
07	1	INC	@R1
08	1	INC	R0
09	1	INC	R1
0A	1	INC	R2
0B	1	INC	R3
0C	1	INC	R4
0D	1	INC	R5
0E	1	INC	R6
0F	1	INC	R7
10	3	JBC	bit addr. code addr
11	2	ACALL	code addr
12	3	LCALL	code addr
13	1	RRC	A
14	1	DEC	A
15	2	DEC	data addr
16	1	DEC	@R0
17	1	DEC	@R1
18	1	DEC	R0
19	1	DEC	R1
1A	1	DEC	R2
1B	1	DEC	R3
1C	1	DEC	R4
1D	1	DEC	R5
1E	1	DEC	R6
1F	1	DEC	R7
20	3	JB	bit addr. code addr
21	2	AJMP	code addr
22	1	RET	
23	1	RL	A
24	1	ADD	A.data
25	1	ADD	A.data addr
26	1	ADD	A.@R0
27	1	ADD	A.@R1
28	1	ADD	A.R0
29	1	ADD	A.R1
2A	1	ADD	A.R2

HEX CODE	NUMBER OF BYTES	MNEMONIC	OPERANDS
2B	1	ADD	A.R3
2C	1	ADD	A.R4
2D	1	ADD	A.R5
2E	1	ADD	A.R6
2F	1	ADD	A.R7
30	3	JNB	bit addr. code addr
31	2	ACALL	code addr
32	1	RETI	
33	1	RLC	A
34	2	ADDC	A.#data
35	2	ADDC	A.data addr
36	1	ADDC	A.@R0
37	1	ADDC	A.@R1
38	1	ADDC	A.R0
39	1	ADDC	A.R1
3A	1	ADDC	A.R2
3B	1	ADDC	A.R3
3C	1	ADDC	A.R4
3D	1	ADDC	A.R5
3E	1	ADDC	A.R6
3F	1	ADDC	A.R7
40	2	JC	code addr
41	2	AJMP	code addr
42	2	ORL	data addr.A
43	3	ORL	data addr. #data
44	2	ORL	A.#data
45	2	ORL	A.data addr
46	1	ORL	A.@R0
47	1	ORL	A.@R1
48	1	ORL	A.R0
49	1	ORL	A.R1
4A	1	ORL	A.R2
4B	1	ORL	A.R3
4C	1	ORL	A.R4
4D	1	ORL	A.R5
4E	1	ORL	A.R6
4F	1	ORL	A.R7
50	2	JNC	code addr
51	2	ACALL	code addr
52	2	ANL	code addr.A
53	3	ANL	data addr. #data
54	2	ANL	A.#data
55	2	ANL	A.data addr

**FIGURE 3(b) - TRUTH TABLE/INSTRUCTION SET (CONTINUED)**INSTRUCTIONS IN HEXADECIMAL ORDER (CONTINUED)

HEX CODE	NUMBER OF BYTES	MNEMONIC	OPERANDS
56	1	ANL	A.@R0
57	1	ANL	A.@R1
58	1	ANL	A.R0
59	1	ANL	A.R1
5A	1	ANL	A.R2
5B	1	ANL	A.R3
5C	1	ANL	A.R4
5D	1	ANL	A.R5
5E	1	ANL	A.R6
5F	1	ANL	A.R7
60	2	JZ	code addr
61	2	AJMP	code addr
62	2	XRL	code addr.A
63	3	XRL	data addr. #data
64	2	XRL	A.#data
65	2	XRL	A.data addr
66	1	XRL	A.@R0
67	1	XRL	A.@R1
68	1	XRL	A.R0
69	1	XRL	A.R1
6A	1	XRL	A.R2
6B	1	XRL	A.R3
6C	1	XRL	A.R4
6D	1	XRL	A.R5
6E	1	XRL	A.R6
6F	1	XRL	A.R7
70	2	JNZ	code addr
71	2	ACALL	code addr
72	2	MOV	C.bit addr
73	1	JMP	@A + DPTR
74	2	MOV	A.#data
75	3	MOV	data addr. #data
76	2	MOV	@R0.#data
77	2	MOV	@R1.#data
78	2	MOV	R0.#data
79	2	MOV	R1.#data
7A	2	MOV	R2.#data
7B	2	MOV	R3.#data
7C	2	MOV	R4.#data
7D	2	MOV	R5.#data
7E	2	MOV	R6.#data
7F	2	MOV	R7.#data
80	2	SJMP	code addr
81	2	AJMP	code addr

HEX CODE	NUMBER OF BYTES	MNEMONIC	OPERANDS
82	2	ANL	C.bit addr
83	1	MOVC	A.@A + PC
84	1	DIV	AB
85	3	MOV	data addr
86	2	MOV	data addr.@R0
87	2	MOV	data addr.@R1
88	2	MOV	data addr.R0
89	2	MOV	data addr.R1
8A	2	MOV	data addr.R2
8B	2	MOV	data addr.R3
8C	2	MOV	data addr.R4
8D	2	MOV	data addr.R5
8E	2	MOV	data addr.R6
8F	2	MOV	data addr.R7
90	3	MOV	DPTR.#data
91	2	ACALL	code addr
92	2	MOV	bit addr.C
93	1	MOVC	A.@A + DPTR
94	2	SUBB	A.#data
95	2	SUBB	A.data addr
96	1	SUBB	A.@R0
97	1	SUBB	A.@R1
98	1	SUBB	A.R0
99	1	SUBB	A.R1
9A	1	SUBB	A.R2
9B	1	SUBB	A.R3
9C	1	SUBB	A.R4
9D	1	SUBB	A.R5
9E	1	SUBB	A.R6
9F	1	SUBB	A.R7
A0	2	ORL	C.bit addr
A1	2	AJMP	code addr
A2	2	MOV	C.bit addr
A3	1	INC	DPTR
A4	1	MUL	AB
A5		reserved	
A6	2	MOV	@R0.data addr
A7	2	MOV	@R1.data addr
A8	2	MOV	R0.data addr
A9	2	MOV	R1.data addr
AA	2	MOV	R2.data addr
AB	2	MOV	R3.data addr
AC	2	MOV	R4.data addr
AD	2	MOV	R5.data addr
AE	2	MOV	R6.data addr
AF	2	MOV	R7.data addr

**FIGURE 3(b) - TRUTH TABLE/INSTRUCTION SET (CONTINUED)**INSTRUCTIONS IN HEXADECIMAL ORDER (CONTINUED)

HEX CODE	NUMBER OF BYTES	MNEMONIC	OPERANDS
B0	2	ANL	C.bit addr
B1	2	ACALL	code addr
B2	2	CPL	bit addr
B3	1	CPL	C
B4	3	CJNE	A.#data. code addr
B5	3	CJNE	A.data addr. code addr
B6	3	CJNE	@R0.#data. code addr
B7	3	CJNE	@R1.#data. code addr
B8	3	CJNE	R0.#data. code addr
B9	3	CJNE	R1.#data. code addr
BA	3	CJNE	R2.#data. code addr
BB	3	CJNE	R3.#data. code addr
BC	3	CJNE	R4.#data. code addr
BD	3	CJNE	R5.#data. code addr
BE	3	CJNE	R6.#data. code addr
BF	3	CJNE	R7.#data. code addr
C0	2	PUSH	data addr
C1	2	AJMP	code addr
C2	2	CLR	bit addr
C3	1	CLR	C
C4	1	SWAP	A
C5	2	XCH	A.data addr
C6	1	XCH	A.@R0
C7	1	XCH	A.@R1
C8	1	XCH	A.R0
C9	1	XCH	A.R1
CA	1	XCH	A.R2
CB	1	XCH	A.R3
CC	1	XCH	A.R4
CD	1	XCH	A.R5
CE	1	XCH	A.R6
CF	1	XCH	A.R7
D0	2	POP	data addr
D1	2	ACALL	code addr
D2	2	SETB	bit addr

HEX CODE	NUMBER OF BYTES	MNEMONIC	OPERANDS
D3	1	SETB	C
D4	1	DA	A
D5	3	DJNZ	data addr. code addr
D6	1	XCHD	A.@R0
D7	1	XCHD	A.@R1
D8	2	DJNZ	R0.code addr
D9	2	DJNZ	R1.code addr
DA	2	DJNZ	R2.code addr
DB	2	DJNZ	R3.code addr
DC	2	DJNZ	R4.code addr
DD	2	DJNZ	R5.code addr
DE	3	DJNZ	R6.code addr
DF	2	DJNZ	R7.code addr
E0	1	MOVX	A.@DPTR
E1	2	AJMP	code addr
E2	1	MOVX	A.@R0
E3	1	MOVX	A.@R1
E4	1	CLR	A
E5	2	MOV	A.data addr
E6	1	MOV	A.@R0
E7	1	MOV	A.@R1
E8	1	MOV	A.R0
E9	1	MOV	A.R1
EA	1	MOV	A.R2
EB	1	MOV	A.R3
EC	1	MOV	A.R4
ED	1	MOV	A.R5
EE	1	MOV	A.R6
EF	1	MOV	A.R7
F0	1	MOVX	@DPTR.A
F1	2	ACALL	code addr
F2	1	MOVX	@R0.A
F3	1	MOVX	@R1.A
F4	1	CPL	A
F5	2	MOV	data addr.A
F6	1	MOV	@R0.A
F7	1	MOV	@R1.A
F8	1	MOV	R0.A
F9	1	MOV	R1.A
FA	1	MOV	R2.A
FB	1	MOV	R3.A
FC	1	MOV	R4.A
FD	1	MOV	R5.A
FE	1	MOV	R6.A
FF	1	MOV	R7.A

**FIGURE 3(b) - TRUTH TABLE/INSTRUCTION SET (CONTINUED)**DESCRIPTION OF INSTRUCTIONS

<u>ARITHMETIC OPERATIONS</u>				
Mnemonic		Description	Byte	Cyc
ADD	A.Rn	Add register to Accumulator	1	1
ADD	A.direct	Add direct byte to Accumulator	2	1
ADD	A.@Ri	Add indirect RAM to Accumulator	1	1
ADD	A.#data	Add immediate data to Accumulator	2	1
ADDC	A.Rn	Add register to Accumulator with Carry	1	1
ADDC	A.direct	Add direct byte to A with Carry Flag	2	1
ADDC	A.@Ri	Add indirect RAM to A with Carry Flag	1	1
ADDC	A.#data	Add immediate data to A with Carry Flag	2	1
SUBB	A.Rn	Subtract register from A with Borrow	1	1
SUBB	A.direct	Subtract direct byte from A with Borrow	2	1
SUBB	A.@Ri	Subtract indirect RAM from A with Borrow	1	1
SUBB	A.#data	Subtract immediate data from A with Borrow	2	1
INC	A	Increment Accumulator	1	1
INC	Rn	Increment register	1	1
INC	direct	Increment direct byte	2	1
INC	@Ri	Increment indirect RAM	1	1
INC	DPTR	Increment Data Pointer	1	2
DEC	A	Decrement Accumulator	1	1
DEC	Rn	Decrement register	1	1
DEC	direct	Decrement direct byte	2	1
DEC	@Ri	Decrement indirect RAM	1	1
MUL	AB	Multiply A and B	1	4
DIV	AB	Divide A by B	1	4
DA	A	Decimal Adjust Accumulator	1	1
<u>LOGIC OPERATIONS</u>				
ANL	A.Rn	AND register to Accumulator	1	1
ANL	A.direct	AND direct byte to Accumulator	2	1
ANL	A.@Ri	AND indirect RAM to Accumulator	1	1
ANL	A.#data	AND immediate data to Accumulator	2	1
ANL	direct.A	AND Accumulator to direct byte	2	1
ANL	direct.#data	AND immediate data to direct byte	3	2
ORL	A.Rn	OR register to Accumulator	1	1
ORL	A.direct	OR direct byte to Accumulator	2	1
ORL	A.@Ri	OR indirect RAM to Accumulator	1	1
ORL	A.#data	OR immediate data to Accumulator	2	1
ORL	direct.A	OR Accumulator to direct byte	2	1
ORL	direct.#data	OR immediate data to direct byte	3	2

**FIGURE 3(b) - TRUTH TABLE/INSTRUCTION SET (CONTINUED)**DESCRIPTION OF INSTRUCTIONS (CONTINUED)LOGIC OPERATIONS (CONT'D)

Mnemonic		Description	Byte	Cyc
XRL	A.Rn	Exclusive-OR register to Accumulator	1	1
XRL	A.direct	Exclusive-OR direct byte to Accumulator	2	1
XRL	A.@Ri	Exclusive-OR indirect RAM to A	1	1
XRL	A.#data	Exclusive-OR immediate data to A	2	1
XRL	direct.A	Exclusive-OR Accumulator to direct byte	2	1
XRL	direct.#data	Exclusive-OR immediate data to direct	3	2
CLR	A	Clear Accumulator	1	1
CPL	A	Complement Accumulator	1	1
RL	A	Rotate Accumulator Left	1	1
RLC	A	Rotate A Left through the Carry Flag	1	1
RR	A	Rotate Accumulator Right	1	1
RRC	A	Rotate A Right through Carry Flag	1	1
SWAP	A	Swap nibbles within the Accumulator	1	1

DATA TRANSFER

Mnemonic		Description	Byte	Cyc
MOV	A.Rn	Move register to Accumulator	1	1
MOV	A.direct	Move direct byte to Accumulator	2	1
MOV	A.@Ri	Move indirect RAM to Accumulator	1	1
MOV	A.#data	Move immediate data to Accumulator	2	1
MOV	Rn.A	Move Accumulator to register	1	1
MOV	Rn.direct	Move direct byte to register	2	2
MOV	Rn.#data	Move immediate data to register	2	1
MOV	direct.A	Move Accumulator to direct byte	2	1
MOV	direct.Rn	Move register to direct byte	2	2
MOV	direct.direct	Move direct byte to direct byte	3	2
MOV	direct.@Ri	Move indirect RAM to direct byte	2	2
MOV	direct.#data	Move immediate data to direct byte	3	2
MOV	@Ri.A	Move Accumulator to indirect RAM	1	1
MOV	@Ri.direct	Move direct byte to indirect RAM	2	2
MOV	@Ri.#data	Move immediate data to indirect RAM	2	1
MOV	DPTR.#data 16	Load Data Pointer with a 16-bit constant	3	2
MOVC	A.@A + DPTR	Move Code byte relative to DPTR to A	1	2
MOVC	A.@A + PC	Move Code byte relative to PC to A	1	2
MOVX	A.@Ri	Move External RAM (8-bit addr) to A	1	2
MOVX	A.@DPTR	Move External RAM (16-bit addr) to A	1	2
MOVX	@Ri.A	Move A to External RAM (8-bit addr)	1	2
MOVX	@DPTRA	Move A to External RAM (16-bit addr)	1	2
PUSH	direct	Push direct byte onto stack	2	2
POP	direct	Pop direct byte from stack	2	2
XCH	A.Rn	Exchange register with Accumulator	1	1
XCH	A.direct	Exchange direct byte with Accumulator	2	1
XCH	A.@Ri	Exchange indirect RAM with A	1	1
XCHD	A.@Ri	Exchange low-order nibble ind RAM with A	1	1

**FIGURE 3(b) - TRUTH TABLE/INSTRUCTION SET (CONTINUED)**DESCRIPTION OF INSTRUCTIONS (CONTINUED)

<u>BOOLEAN VARIABLE MANIPULATION</u>				
Mnemonic		Description	Byte	Cyc
CLR	C	Clear Carry flag	1	1
CLR	bit	Clear direct bit	2	1
SETB	C	Set Carry flag	1	1
SETB	bit	Set direct bit	2	1
CPL	C	Complement Carry flag	1	1
CPL	bit	Complement direct bit	1	1
ANL	C.bit	AND direct bit to Carry flag	2	2
ANL	C./bit	AND complement of direct bit to Carry	2	2
ORL	C.bit	OR direct bit to Carry flag	2	2
ORL	C./bit	OR complement of direct bit to Carry	2	2
MOV	C.bit	Move direct bit to Carry flag	2	1
MOV	bit.C	Move Carry flag to direct bit	2	2
<u>PROGRAMME AND MACHINE CONTROL</u>				
Mnemonic		Description	Byte	Cyc
ACALL	addr 11	Absolute Subroutine Call	2	2
LCALL	addr 16	Long Subroutine Call	3	2
RET		Return from Subroutine	1	2
RETI		Return from interrupt	1	2
AJMP	addr 11	Absolute jump	2	2
LJMP	addr 16	Long jump	3	2
SJMP	rel	Short jump (relative addr)	2	2
JMP	@A + DPTR	Jump indirect relative to the DPTR	1	2
JZ	rel	Jump if Accumulator is Zero	2	2
JNZ	rel	Jump if Accumulator is not Zero	2	2
JC	rel	Jump if Carry flag is set	2	2
JNC	rel	Jump if No Carry flag	2	2
JB	bit.rel	Jump if direct Bit set	3	2
JNB	bit.rel	Jump if direct Bit not set	3	2
JCB	bit.rel	Jump if direct Bit is set and Clear bit	3	2
CJNE	A.direct.rel	Compare direct to A and Jump if not Equal	3	2
CJNE	A.#data.rel	Compare immed. to A and Jump if not Equal	3	2
CJNE	Rn.#data.rel	Compare immed. to reg and Jump if not Equal	3	2
CJNE	@Ri.#data.rel	Compare immed. to ind and Jump if not Equal	3	2
DJNZ	Rn.rel	Decrement register and Jump if not Zero	2	2
DJNZ	direct.rel	Decrement direct and Jump if not Zero	3	2
NOP		No operation	1	1



FIGURE 3(b) - TRUTH TABLE/INSTRUCTION SET (CONTINUED)

DESCRIPTION OF INSTRUCTIONS (CONTINUED)

NOTES

1. Notes on data processing modes:-

- Rn - Working register R0-R7.
- direct - 128 internal RAM Locations, any I/O port control or status register.
- @Ri - Indirect internal RAM location addressed by register R0 or R1.
- #data - 8-bit constant included in instruction.
- #data 16 - 16-bit constant included as bytes 2 and 3 of instruction.
- bit - 128 software flags, any I/O pin, control or status bit.

2. Notes on programme addressing modes:-

- addr 16 - Destination address for LCALL and LJMP may be anywhere within the 64k programme memory address space.
- addr 11 - Destination address for ACALL and AJMP will be within the same 2k page of programme memory as the first byte of the following instruction.
- rel - SJMP and all conditional jumps include an 8-bit offset byte. Range is +127 - 128 bytes relative to first byte of the following instruction.

TIMING WAVEFORMS

EXTERNAL PROGRAMME MEMORY READ CYCLE

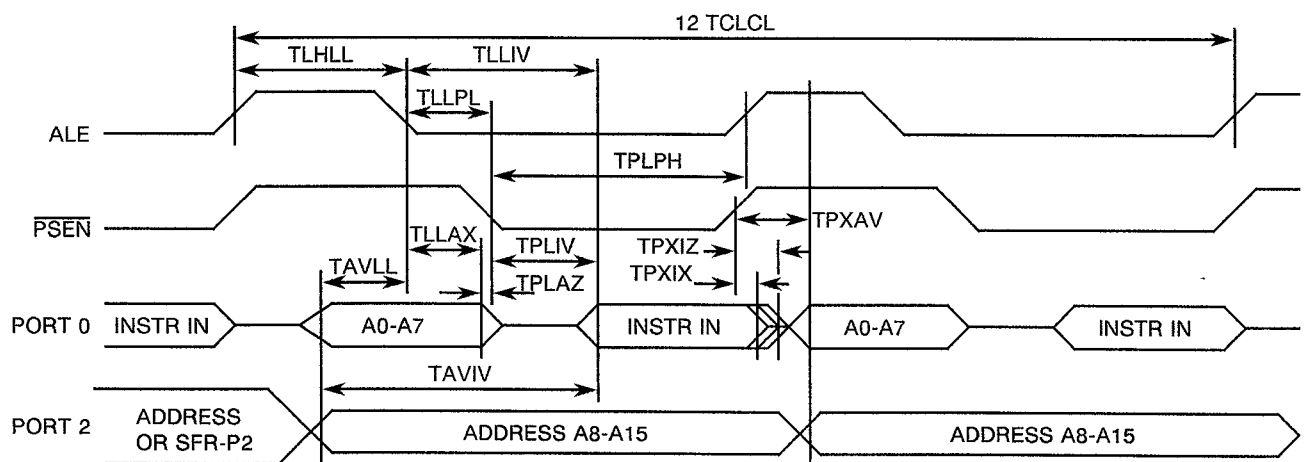
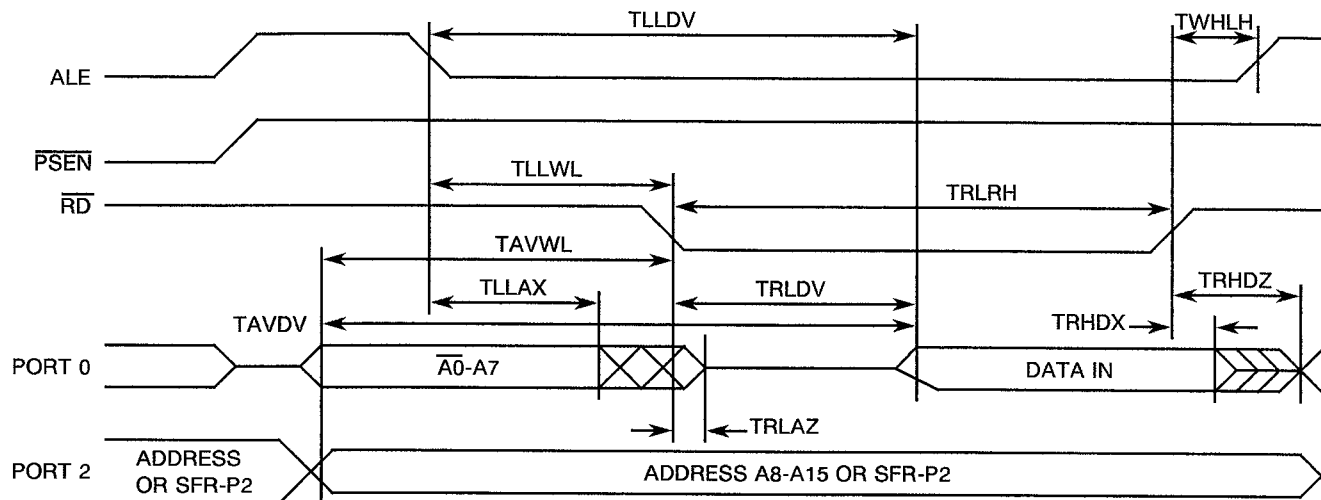




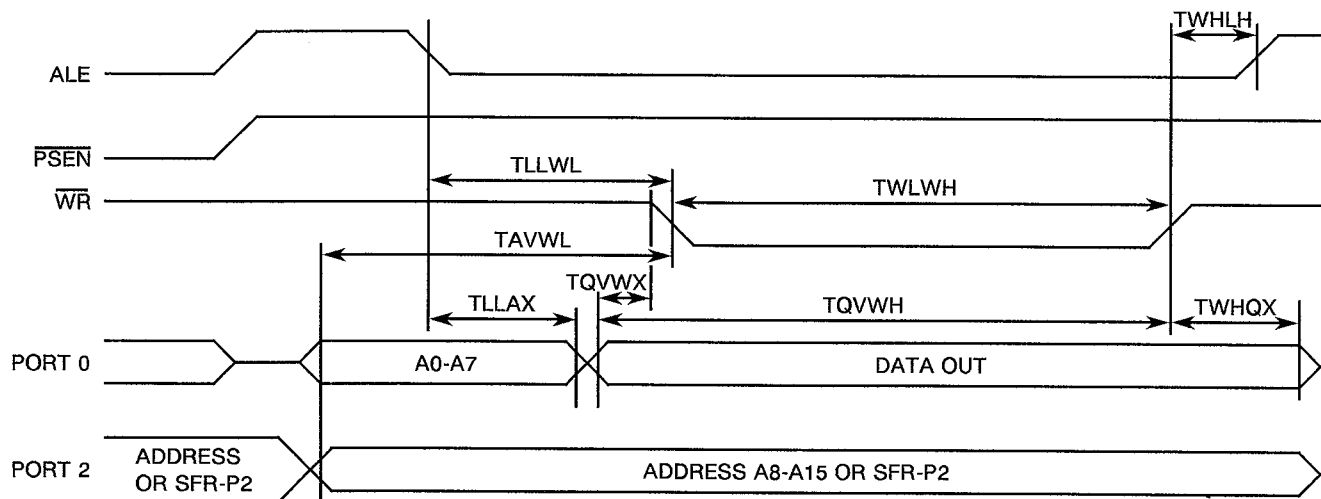
FIGURE 3(b) - TRUTH TABLE/INSTRUCTION SET (CONTINUED)

TIMING WAVEFORMS (CONTINUED)

EXTERNAL DATA MEMORY READ CYCLE



EXTERNAL DATA MEMORY WRITE CYCLE



EXTERNAL CLOCK WAVEFORMS

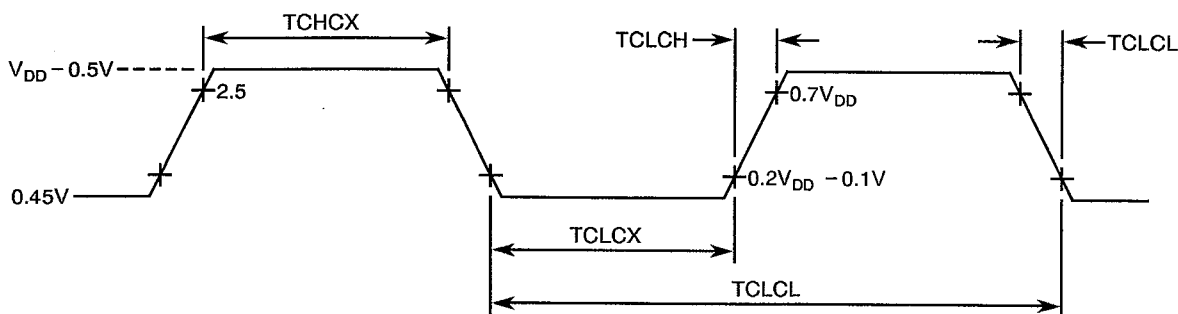
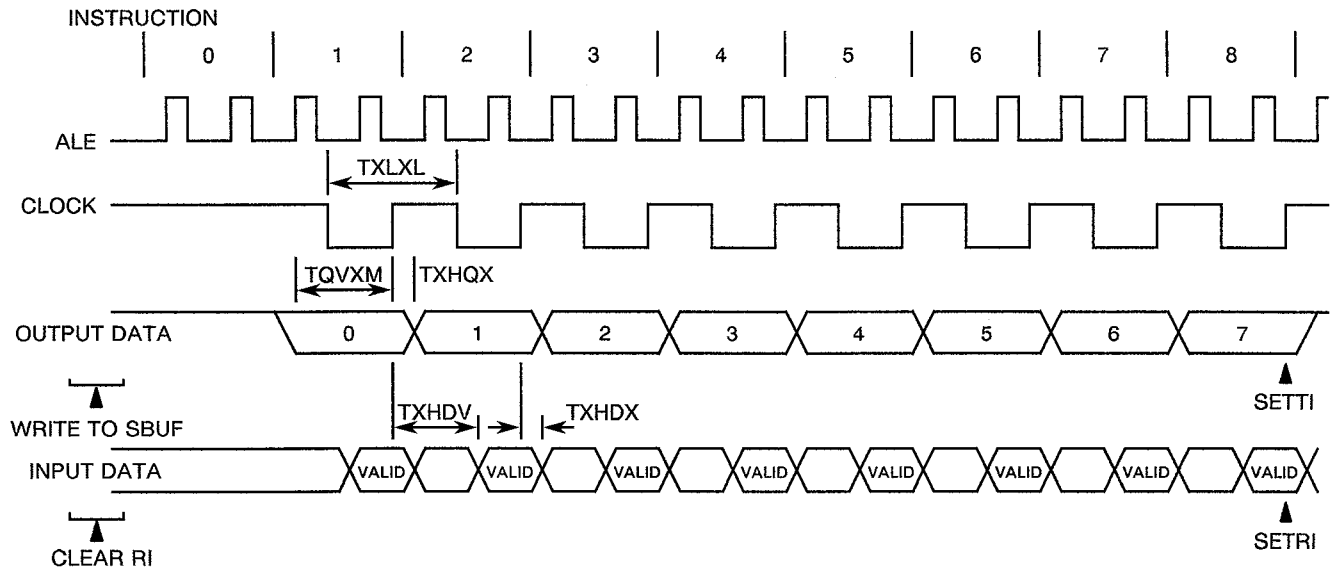




FIGURE 3(b) - TRUTH TABLE/INSTRUCTION SET (CONTINUED)

TIMING WAVEFORMS (CONTINUED)

SHIFT REGISTER TIMING WAVEFORMS



SYMBOL	PARAMETER	MIN.	MAX.	UNIT
TXLXL	Serial Port Clock Time	12TCLCL	-	μs
TQVXH	Output Data Setup to Clock Rising Edge	10TCLCL-133	-	ns
TXHQX	Output Data Hold After Clock Rising Edge	2TCLCL-117	-	ns
TXHDX	Input Data Hold After Clock Rising Edge	0	-	ns
TXHDV	Clock Rising Edge to Input Data Valid	-	10TLCL-133	ns



FIGURE 3(b) - TRUTH TABLE/INSTRUCTION SET (CONTINUED)

TIMING WAVEFORMS (CONTINUED)

INTERNAL CLOCK WAVEFORMS

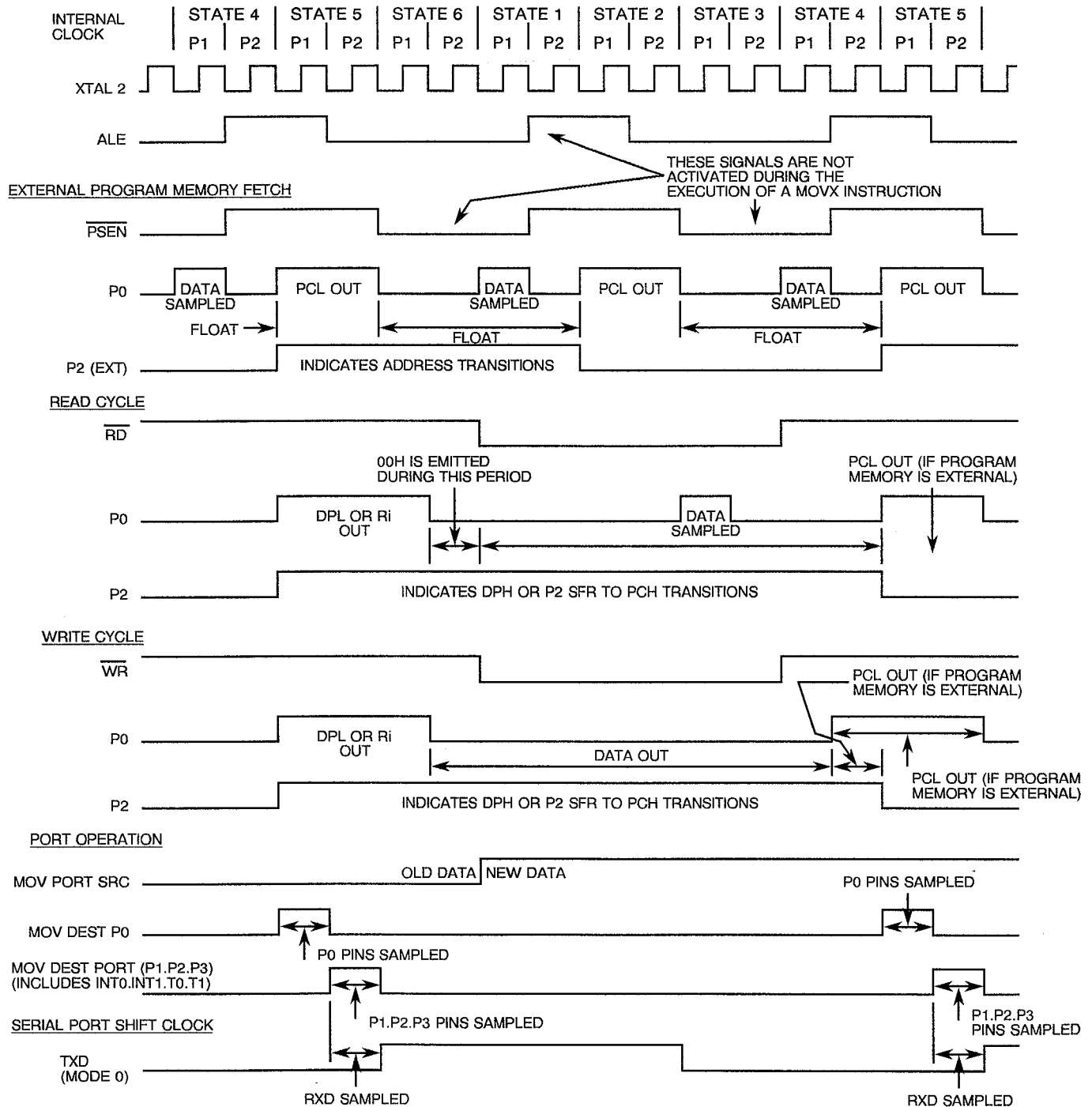


FIGURE 3(c) - CIRCUIT DESCRIPTION

Port 0 - Port 0 is an 8-bit open drain bi-directional I/O port. Port 0 pins that have 1's written to them float and in that state can be used as high impedance inputs. Port 0 is also the multiplexed low-order address and data bus during accesses to external programme and data memory. In this application, it uses strong internal pull-ups when emitting 1's. External pull-ups are required during programme verification. Port 0 can sink eight LS TTL inputs.

Port 0 also outputs the code bytes during programme verification in the 80C52E.

Port 1 - Port 1 is an 8-bit bi-directional I/O port with internal pull-ups. Port 1 pins that have 1's written to them are pulled high by the internal pull-ups, and in that state can be used as inputs. As inputs, Port 1 pins that are externally being pulled low will source current because of the internal pull-ups.

Port 1 also receives the low-order address byte during programme verification. It can drive CMOS inputs without external pull-ups.

In the 80C52E, Port 1 can sink/source three LS TTL inputs.

Two inputs of Port 1 are also used for Timer/Counter 2:

- P1.0 (T2): External clock inputs.
- P1.1 (T2EX): Trigger input to be reloaded or captured causing Timer/Counter 2 to interrupt.

Port 2 - Port 2 is an 8-bit bi-directional I/O port with internal pull-ups. Port 2 pins that have 1's written to them are pulled high by the internal pull-ups and in that state can be used as inputs. As inputs, Port 2 pins that are externally being pulled low will source current because of the internal pull-ups. Port 2 emits the high-order address byte during fetches from external Programme Memory and during accesses to external Data Memory that use 16-bit addresses. In this application, it uses strong internal pull-ups when emitting 1's. During access to external Data Memory that use 8-bit addresses, Port 2 emits the contents of the P2 Special Function Register.

Port 2 can sink/source three LS TTL inputs. It can drive CMOS inputs with external pull-ups.

In the 80C52E, Port 2 also receives the high-order address bits and control signals during programme verification

Port 3 - Port 3 is an 8-bit bi-directional I/O port with internal pull-ups. Port 3 pins that have 1's written to them are pulled high by the internal pull-ups and in that state can be used as inputs. As inputs, Port 3 pins that are externally being pulled low will source current because of the pull-ups. It also serves the functions of various special features of the MCS-51 Family, as listed below.

PORT PIN	ALTERNATE FUNCTION
P3.0	RXD (Serial Input Port)
P3.1	TXD (Serial Output Port)
P3.2	$\overline{\text{INT0}}$ (External Interrupt 0)
P3.3	$\overline{\text{INT1}}$ (External Interrupt 1)
P3.4	T0 (Timer 0 External Input)
P3.5	T1 (Timer 1 External Input)
P3.6	$\overline{\text{WR}}$ (External Data Memory Write Strobe)
P3.7	$\overline{\text{RD}}$ (External Data Memory Read Strobe)

Port 3 can sink/source three LS TTL inputs. It can drive CMOS inputs without external pull-ups.

**FIGURE 3(c) - CIRCUIT DESCRIPTION (CONTINUED)**

- RST - A high level on this for two machine cycles while the oscillator is running, resets the device. An internal pull-down resistor permits Power-On reset using only a capacitor connected to V_{DD} . As soon as the reset is applied (V_{IN}), Port 1, 2 and 3 are tied to "1". This operation is achieved asynchronously even if the oscillator does not startup.
- ALE - Address Latch Enable output for latching the low byte of the address during accesses to external memory. ALE is activated as though for this purpose at a constant rate of 1/6 of the oscillator frequency except during an external data memory access at which time one ALE pulse is skipped. ALE can sink/source 8 LS TTL inputs. It can drive CMOS inputs without an external pull-up.
- I_{TL} - When an I/O pin on Ports 1, 2 and 3 is used as an input, the external circuit must sink current during the 1 to 0 transition. The maximum sink current is specified as I_{TL} .
- IPD - This is the power down I_{DD} current when all output pins are disconnected.
- \overline{PSEN} - Programme Store Enable output is the read strobe to external Programme Memory. \overline{PSEN} is activated twice each machine cycle during fetches from external Programme Memory (however, when executing out of external Programme Memory, two activations of \overline{PSEN} are skipped during each access to external Data Memory). \overline{PSEN} is not activated during fetches from internal Programme Memory. \overline{PSEN} can sink/source 8 LS TTL inputs. It can drive CMOS inputs without an external pull-up.
- \overline{EA} - When \overline{EA} is held high, the CPU executes out of internal Programme Memory (unless the Programme Counter exceeds 3FFFH). When \overline{EA} is held low, the CPU executes only out of external Programme Memory. \overline{EA} must not be floated.
- XTAL1 - Input to the inverting amplifier that forms the oscillator. Receives the external oscillator signal when an external oscillator is used.
- XTAL2 - Output of the inverting amplifier that forms the oscillator and input of the internal clock generator. This pin should be floated when an external oscillator is used.



FIGURE 3(c) - CIRCUIT DESCRIPTION (CONTINUED)

OSCILLATOR CHARACTERISTICS

XTAL1 and XTAL2 are the input and output respectively, of an inverting amplifier which is configured for use as an on-chip oscillator, as shown in Figure 3(c)(i). Either a quartz crystal or ceramic resonator may be used. To drive the device from an external clock source, XTAL1 should be driven while XTAL2 is left unconnected as shown in Figure 3(c)(ii). There are no requirements on the duty cycle of the external clock signal, since the input to the internal clocking circuitry is through a divide-by-two flip-flop, but minimum and maximum high and low times specified must be observed.

FIGURE 3(c)(i) - CRYSTAL OSCILLATOR

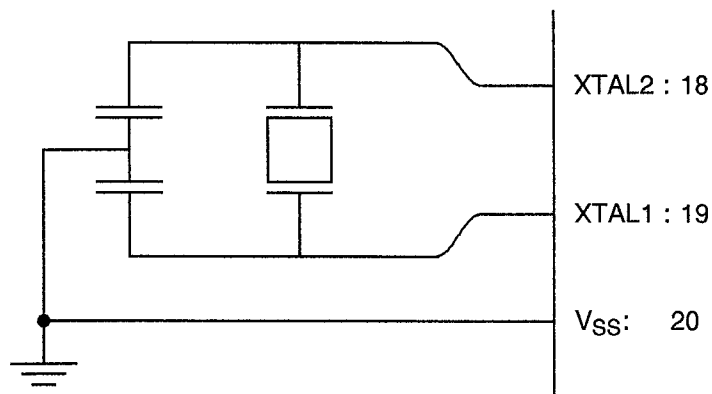
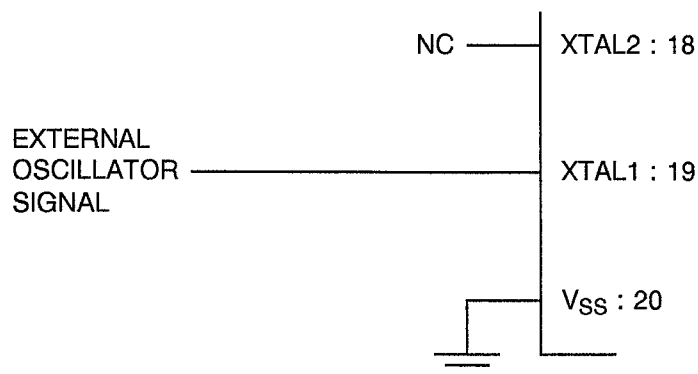


FIGURE 3(c)(ii) - EXTERNAL DRIVE CONFIGURATION



IDLE AND POWER DOWN OPERATION

Figure 3(c)(iii) shows the internal Idle and Power Down clock configuration. As illustrated, Power Down operation stops the oscillator. Idle mode operation allows the interrupt, serial port and timer blocks to continue to function while the clock to the CPU is gated off.

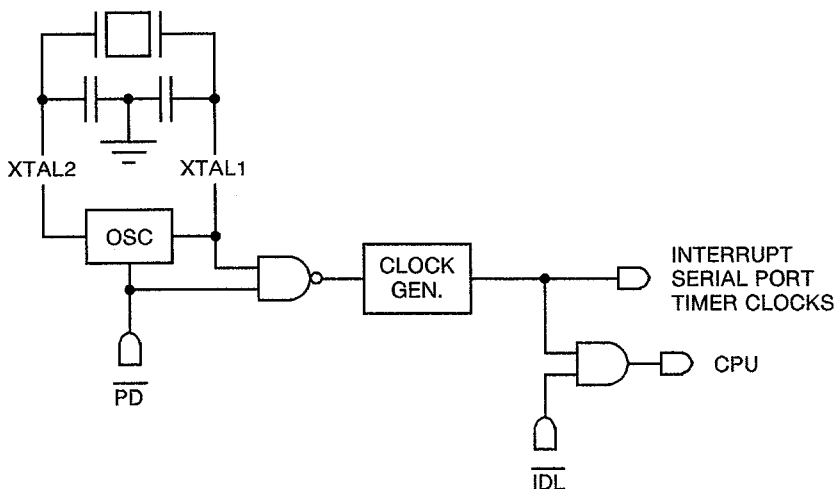


FIGURE 3(c) - CIRCUIT DESCRIPTION (CONTINUED)

The 80C52E has 2 additional software selectable modes of reduced activity for further reduction in power consumption as follows:-

- (a) In the Idle mode, the CPU is frozen while the RAM, timers, serial port and the interrupt system continue to function.
- (b) In the Power-down mode, the RAM is saved and all other functions are inoperative.

FIGURE 3(c)(iii) - IDLE AND POWER DOWN HARDWARE



These special modes are activated by software via the Special Function Register, PCON. Its hardware address is 87H. PCON is not bit addressable.

PCON: POWER CONTROL REGISTER

(MSB)							(LSB)
SMOD	-	-	-	GF1	GF0	PD	IDL

<u>SYMBOL</u>	<u>POSITION</u>	<u>NAME AND FUNCTION</u>
SMOD	PCON.7	Double Baud rate bit. When set to a 1, the baud rate is doubled when the serial port is being used in either modes 1, 2 or 3.
-	PCON.6	(reserved)
-	PCON.5	(reserved)
-	PCON.4	(reserved)
GF1	PCON.3	General-purpose flag bit.
GF0	PCON.2	General-purpose flag bit.
PD	PCON.1	Power Down bit. Setting this bit activates power down operation.
IDL	PCON.0	Idle mode bit. Setting this bit activates idle mode operation.

If 1's are written to PD and IDL at the same time, PD takes precedence. The reset value of PCON is (000X0000).

**FIGURE 3(c) - CIRCUIT DESCRIPTION (CONTINUED)**STATUS OF THE EXTERNAL PINS DURING IDLE AND POWER DOWN MODES

MODE	PROGRAMME MEMORY	ALE	$\overline{\text{PSEN}}$	PORT 0	PORT 1	PORT 2	PORT 3
Idle	Internal	1	1	Port data	Port data	Port data	Port data
Idle	External	1	1	Floating	Port data	Address	Port data
Power down	Internal	0	0	Port data	Port data	Port data	Port data
Power down	External	0	0	Floating	Port data	Port data	Port data

IDLE MODE

The instruction that sets PCON.0 is the last instruction executed before the Idle mode is activated. Once in the Idle mode, the CPU status is preserved in its entirety: the Stack Pointer, Programme Counter, Programme Status Word, Accumulator, RAM and all other registers maintain their data during Idle. The table above describes the status of the external pins during Idle mode.

There are two ways to terminate the Idle mode. Activation of any enabled interrupt will cause PCON.0 to be cleared by hardware, terminating Idle mode. The interrupt is serviced, and following RET1, the next instruction to be executed will be the one following the instruction that wrote a 1 to PCON.0.

The flag bits GF0 and GF1 may be used to determine whether the interrupt was received during normal execution or during the Idle mode. For example, the instruction that writes to PCON.0 can also set or clear one or both flag bits. When Idle mode is terminated by an enabled interrupt, the service routine can examine the status of the flag bits.

The second way of terminating the Idle mode is with a hardware reset. Since the oscillator is still running, the hardware reset needs to be active for only 2 machine cycles (24 oscillator periods) to complete the reset operation.

POWER DOWN MODE

The instruction that sets PCON.1 is the last executed prior to entering power down. Once power is down, the oscillator is stopped. The contents of the on-chip RAM and the Special Function Register is saved during power down mode. A hardware reset initiates the Special Function Registers (see Table above).

In the Power Down mode, V_{DD} may be lowered to minimise circuit power consumption. Care must be taken to ensure the voltage is not reduced until the power down mode is entered and that the voltage is restored before the hardware reset is applied which frees the oscillator.

Reset should not be released until the oscillator has restarted and stabilised. The table above describes the status of the external pins while in the power down mode. It should be noted that if the power down mode is activated while in external programme memory, the port data that is held in the Special Function Register P2 is restored to Port 2. If the data is a 1, the port pin is held high during the power down mode by the strong pull-up.

STOP CLOCK MODE

Due to static design, the MHS80C32E and 80C52E clock speeds can be reduced to 0MHz without any data loss in memory or registers. This mode allows step by step utilisation and permits the reduction in system power consumption by bringing the clock frequency down to any value. At 0MHz, the power consumption is the same as in the Power Down Mode.



FIGURE 3(c) - CIRCUIT DESCRIPTION (CONTINUED)

TIMER/EVENT COUNTER 2

Timer 2 is a 16 bit timer/counter like Timers 0 and 1. It can operate either as a timer or as an event counter. This is selected by bit $C/\overline{T}2$ in the Special Function Register T2CON (Figure 1). It has three operating modes: "capture", "autoload" and "baud rate generator", which are selected by bits in T2CON as shown in the table below.

TIMER 2 OPERATING MODES

RCLK + TCLK	CP/ $\overline{RL}2$	TR2	MODE
0	0	1	16 bit auto-reload
0	1	1	16 bit capture
1	X	1	baud rate generator
X	X	0	(off)

In the capture mode there are two options which are selected by bit EXEN2 in T2CON. If EXEN2=0, then Timer 2 is a 16 bit timer or counter which upon overflowing sets bit TF2, the Timer 2 overflow bit, which can be used to generate an interrupt. If EXEN2=1, then Timer 2 still does the above, but with the added feature that a 1-to-0 transition at external input T2EX causes the current value in the Timer 2 registers, TL2 and TH2, to be captured into registers RCAP2L and RCAP2H respectively (RCAP2L and RCAP2H are new Special Function Registers in the 80C52E). In addition, the transition at T2EX causes bit EXF2 in T2CON to be set, and EXF2, like TF2, can generate an interrupt.

The capture mode is illustrated in the figure below.

TIMER 2 IN CAPTURE MODE

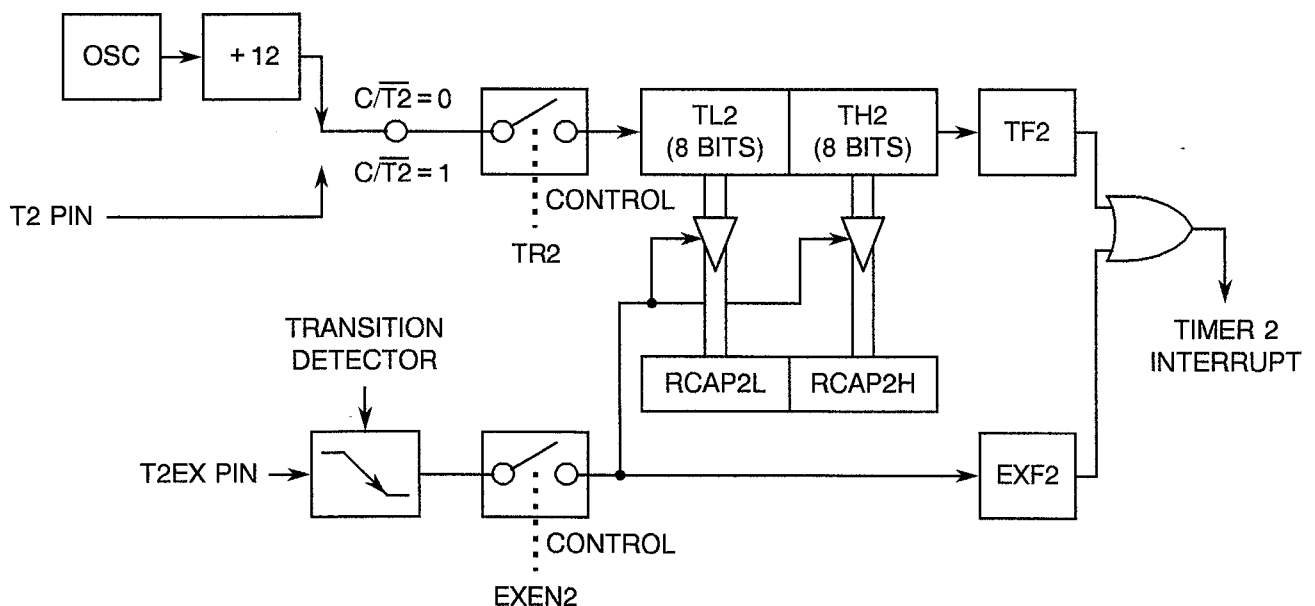
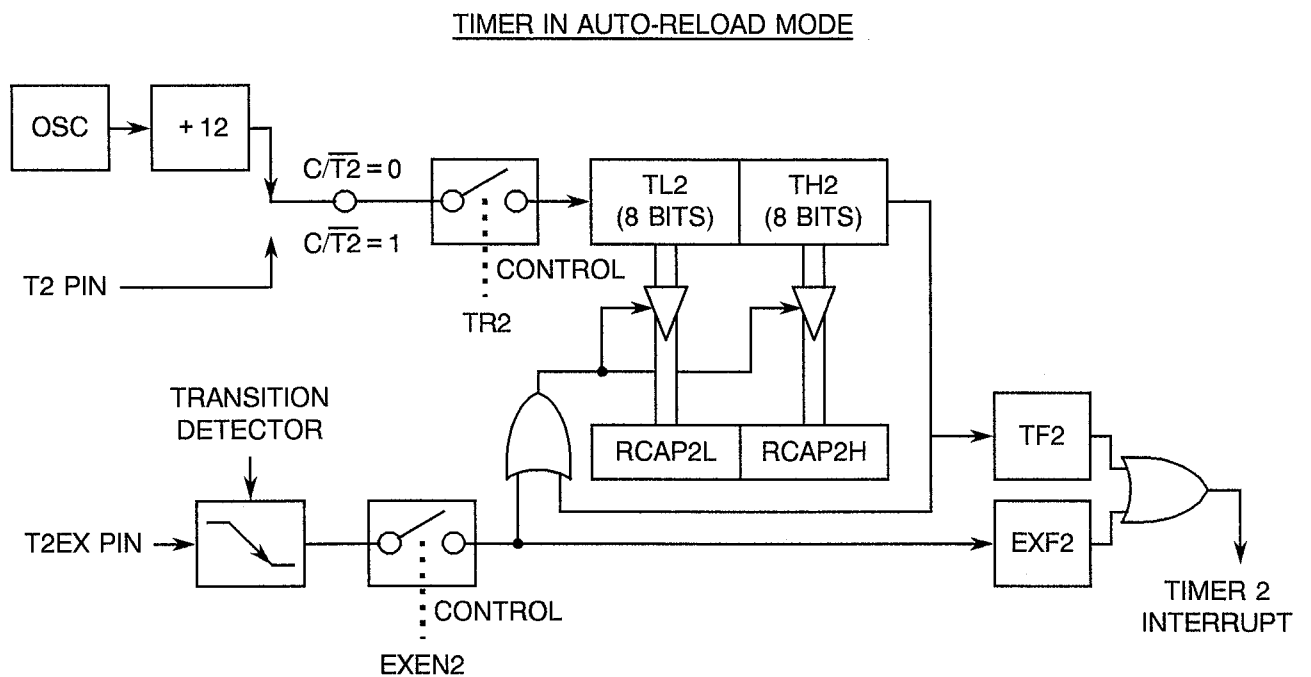




FIGURE 3(c) - CIRCUIT DESCRIPTION (CONTINUED)

In the auto-reload mode there are again two options, which are selected by bit EXEN2 in T2CON. If EXEN2 = 0, then when Timer 2 rolls over it does not only set TF2 but also causes the Timer 2 register to be reloaded with the 16 bit value in registers RCAP2L and RCAP2H, which are preset by software. IF EXEN2 = 1, then Timer 2 still does the above, but with the added feature that a 1-to-0 transition at external input T2EX will also trigger the 16 bit reload and set EXF2.

The auto-reload mode is illustrated in the figure below.

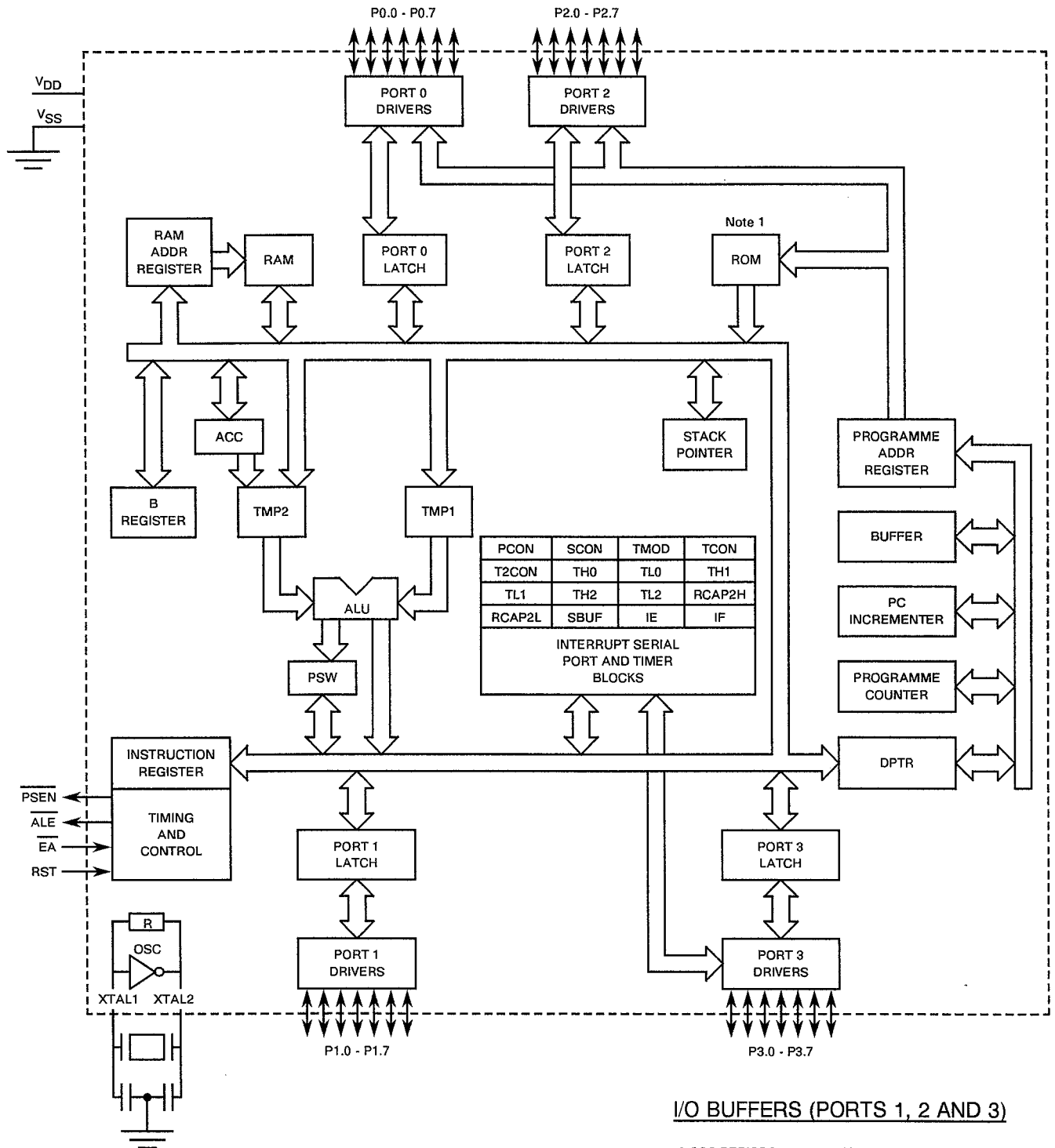


**FIGURE 3(c) - CIRCUIT DESCRIPTION (CONTINUED)**

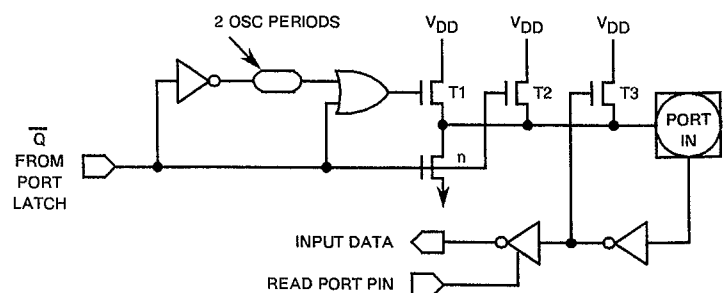
(MSB)								(LSB)
TF2	EXF2	RCLK	TCLK	EXEN2	TR2	C/T $\bar{2}$	CP/RL $\bar{2}$	
<u>SYMBOL</u>	<u>POSITION</u>	<u>NAME AND FUNCTION</u>						
TF2	T2CON.7	Timer 2 overflow flag set by a Timer 2 overflow and must be cleared by software. TF2 will not be set when either RCLK = 1 or TCLK = 1.						
RXF2	T2CON.6	Timer 2 external flag set when either a capture or reload is caused by a negative transition on T2EX and EXEN2 = 1. When Timer 2 interrupt is enabled, EXF2 = 1 will cause the CPU to vector to the Timer 2 interrupt routine. EXF2 must be cleared by software.						
RCLK	T2CON.5	Receive clock flag. When set, causes the serial port to use Timer 2 overflow pulses for its receive clock in modes 1 and 3. RCLK = 0 causes Timer 1 overflow to be used for the receive clock.						
TCLK	T2CON.4	Transmit clock flag. When set, causes the serial port to use Timer 2 overflow pulses for its transmit clock in modes 1 and 3. TCLK = 0 causes Timer 1 overflows to be used for the transmit clock.						
EXEN2	T2CON.3	Timer 2 external enable flag. When set, allows capture or reload to occur as a result of a negative transition on T2EX if Timer 2 is not being used to clock the serial port. EXEN2 = 0 causes Timer 2 to ignore events at T2EX.						
TR2	T2CON.2	Start/stop control for Timer 2. A logic 1 starts the timer.						
C/T $\bar{2}$	T2CON.1	Timer or counter select. (Timer 2) 0 = Internal timer (OSC/12).						
CP/RL $\bar{2}$	T2CON.0	Capture/Reload flag. When set, captures will occur on negative transitions at T2EX even if EXEN2 = 1. When cleared, auto reloads will occur either with Timer 2 overflows or negative transition at T2EX when EXEN2 = 1. When either RCLK = 1 or TCLK = 1, this bit is ignored and the timer is forced to auto-reload on Timer 2 overflow.						



FIGURE 3(d) - FUNCTIONAL DIAGRAM



I/O BUFFERS (PORTS 1, 2 AND 3)

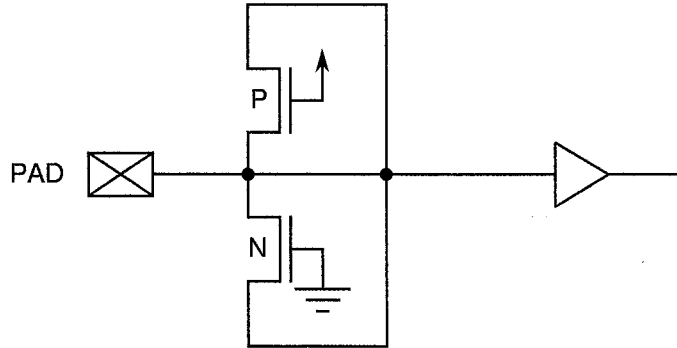


NOTES

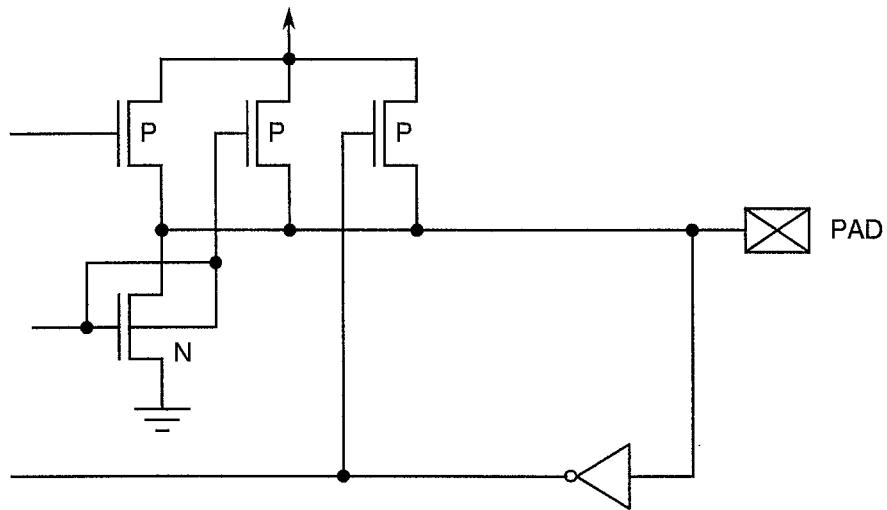
1. For the 80C32E, the ROM is only externally addressable and by using EA signal requirements.



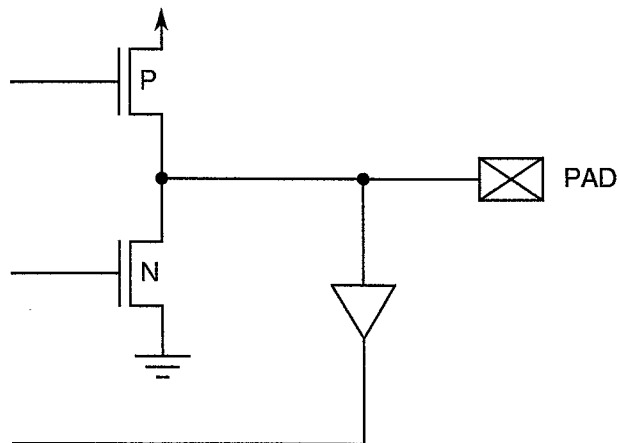
FIGURE 3(e) - INPUT PROTECTION NETWORKS



INPUTS EA, RST, XTAL1



I/O P1, P2, P3



I/O P0, ALE, $\overline{\text{PSEN}}$

**2. APPLICABLE DOCUMENTS**

The following documents form part of this specification and shall be read in conjunction with it:-

- (a) ESA/SCC Generic Specification No. 9000 for Integrated Circuits.
- (b) MIL-STD-883C, Test Methods and Procedures for Micro-electronics.

3. TERMS, DEFINITIONS, ABBREVIATIONS, SYMBOLS AND UNITS

For the purpose of this specification, the terms, definitions, abbreviations, symbols and units specified in ESA/SCC Basic Specification No. 21300 shall apply. In addition, the following abbreviations are used:-

V _{IC}	-	Input Clamp Voltage.
TCLCL	-	Clock Cycle Period.
TCLCX	-	Clock Low Time.
TCHCX	-	Clock High Time.
TCLCH	-	Clock Rise Time.
TCHCL	-	Clock Fall Time.
TLHLL	-	Ale Pulse Width.
TAVLL	-	Address Valid to ALE.
TLLAX	-	Address Hold After ALE.
TLLIV	-	ALE to Valid Instr. In.
TLLPL	-	ALE to PSEN.
TPLPH	-	PSEN Pulse Width.
TPLIV	-	PSEN to Valid Instr. In.
TPXIX	-	Input Instr. Hold After PSEN.
TPXIZ	-	Input Instr. Float After PSEN.
TPXAV	-	PSEN to Address Valid.
TAVIV	-	Address to Valid Instr. In.
TPLAZ	-	PSEN Low to Address Float.
TRLRH	-	RD Pulse Width.
TWLWH	-	WR Pulse Width.
TLLAX	-	Data Address Hold After ALE.
TRLDV	-	RD to Valid Data In.
TRHDX	-	Data Hold After RD.
TRHDZ	-	Data Float After RD.
TLLDV	-	ALE to Valid Data In.
TAVDV	-	Address to Valid Data In.
TLLWL	-	ALE to WR or RD.
TAVWL	-	Address to WR or RD.
TQVWX	-	Data Valid to WR Transition.
TQVWH	-	Data Setup to WR High.
TWHQX	-	Data Hold After WR.
TRLAZ	-	RD Low to Address Float.
TWHLH	-	RD or WR High to ALE High.



4. REQUIREMENTS

4.1 GENERAL

The complete requirements for procurement of the integrated circuits specified herein are stated in this specification and ESA/SCC Generic Specification No. 9000 for Integrated Circuits. Deviations from the Generic Specification, applicable to this specification only, are listed in Para. 4.2.

Deviations from the applicable Generic Specification and this Detail Specification, formally agreed with specific Manufacturers on the basis that the alternative requirements are equivalent to the ESA/SCC requirements and do not affect the components' reliability, are listed in the appendices attached to this specification.

4.2 DEVIATIONS FROM GENERIC SPECIFICATION

4.2.1 Deviations from Special In-process Controls

- (a) Para. 5.2.2, Total Dose Irradiation Testing: Shall be performed during irradiation qualification and maintenance of qualification.
- (b) Para. 5.2.2, Total Dose Irradiation Testing: Shall be performed during procurement on an irradiation lot acceptance basis at the total dose irradiation level specified in the Purchase Order.

4.2.2 Deviations from Final Production Tests (Chart II)

None.

4.2.3 Deviations from Burn-in Tests (Chart III)

- (a) Para. 7.1.1(a), H.T.R.B.: Shall not be performed.

4.2.4 Deviations from Qualification Tests (Chart IV)

None.

4.2.5 Deviations from Lot Acceptance Tests (Chart V)

None.

4.3 MECHANICAL REQUIREMENTS

4.3.1 Dimension Check

The dimensions of the integrated circuits specified herein shall be checked. They shall conform to those shown in Figure 2.

4.3.2 Weight

The maximum weight of the integrated circuits specified herein shall be 8.0 grammes for the dual-in-line package and 5.0 grammes for the JLCC and CCP packages.

4.4 MATERIALS AND FINISHES

The materials and finishes shall be as specified herein. Where a definite material is not specified, a material which will enable the integrated circuits specified herein to meet the performance requirements of this specification shall be used. Acceptance or approval of any constituent material does not guarantee acceptance of the finished product.



4.4.1 Case

The case shall be hermetically sealed and have a ceramic body and the lids shall be welded, brazed, preform soldered or glass-frit sealed.

4.4.2 Lead Material and Finish

The material shall be either Type 'D' with Type '2' finish or Type 'G' with Type '3' finish in accordance with the requirements of ESA/SCC Basic Specification No. 23500. For chip carrier packages, the finish shall be Type '2' in accordance with the requirements of ESA/SCC Basic Specification No. 23500. (See Table 1(a) for Type Variants).

4.5 MARKING

4.5.1 General

The marking of all components delivered to this specification shall be in accordance with the requirements of ESA/SCC Basic Specification No. 21700. Each component shall be marked in respect of:-

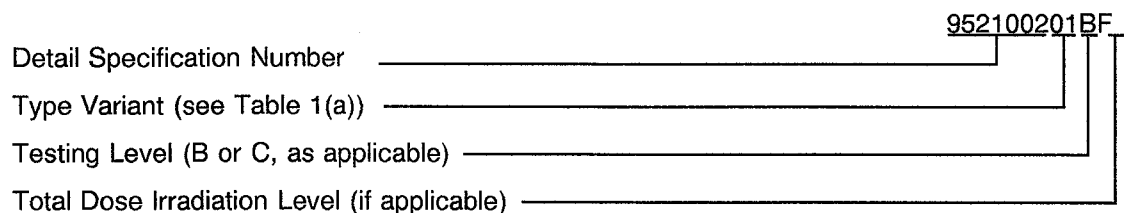
- (a) Lead Identification.
- (b) The SCC Component Number.
- (c) Traceability Information.

4.5.2 Lead Identification

An index shall be located at the top of the package in the position defined in Note 1 to Figure 2 or, alternatively, a tab may be used to identify Pin No. 1. The pin numbering must be read with the index or tab on the left-hand side.

4.5.3 The SCC Component Number

Each component shall bear the SCC Component Number which shall be constituted and marked as follows:



The Total Dose Irradiation Level designation shall be added for those devices for which a sample has been successfully tested to the level in question. For these devices, a code shall be added in accordance with the requirements of ESA/SCC Basic Specification No. 22900.

4.5.4 Traceability Information

Each component shall be marked in respect of traceability information in accordance with the requirements of ESA/SCC Basic Specification No. 21700.



4.6 ELECTRICAL MEASUREMENTS

4.6.1 Electrical Measurements at Room Temperature

The parameters to be measured in respect of electrical characteristics are scheduled in Table 2. Unless otherwise specified, the measurements shall be performed at $T_{amb} = +22 \pm 3$ °C.

4.6.2 Electrical Measurements at High and Low Temperatures

The parameters to be measured at high and low temperatures are scheduled in Table 3. The measurements shall be performed at $T_{amb} = +125(+0-5)$ °C and $-55(+5-0)$ °C respectively.

4.6.3 Circuits for Electrical Measurements

Circuits for use in performing electrical measurements listed in Tables 2 and 3 of this specification are shown in Figure 4.

4.7 BURN-IN TESTS

4.7.1 Parameter Drift Values

The parameter drift values applicable to burn-in are specified in Table 4 of this specification. Unless otherwise stated, measurements shall be performed at $T_{amb} = +22 \pm 3$ °C. The parameter drift values (Δ) applicable to the parameters scheduled, shall not be exceeded. In addition to these drift value requirements, the appropriate limit value specified for a given parameter in Table 2 shall not be exceeded.

4.7.2 Conditions for Power Burn-in

The requirements for power burn-in are specified in Section 7 of ESA/SCC Generic Specification No. 9000. The conditions for power burn-in shall be as specified in Table 5 of this specification.

4.7.3 Electrical Circuits for Power Burn-in

Circuits for use in performing the power burn-in test are shown in Figure 5 of this specification.

**TABLE 2 - ELECTRICAL MEASUREMENTS AT ROOM TEMPERATURE - d.c. PARAMETERS**

No.	CHARACTERISTICS	SYMBOL	TEST METHOD MIL-STD 883	TEST FIG.	TEST CONDITIONS (PINS UNDER TEST D = D.I.L., J = JLCC, C = LCC)	LIMITS		UNIT
						MIN	MAX	
1	Functional Test 1	-	-	3(b)	Verify Truth Table without Load. $V_{IL} = 0V$, $V_{IH} = 3.0V$ $V_{OUT} = 1.5V$ $V_{DD} = 4.0V$, $V_{SS} = 0V$ $f = 1.0MHz$ Note 1	-	-	-
2	Functional Test 2	-	-	3(b)	Verify Truth Table without Load. $V_{IL} = 0V$, $V_{IH} = 3.0V$ $V_{OUT} = 1.5V$ $V_{DD} = 5.5V$, $V_{SS} = 0V$ $f = 1.0MHz$ Note 1	-	-	-
3	Functional Test 3	-	-	3(b)	Verify Truth Table without Load. $V_{IL} = 0.8V$, $V_{IH} = 2.2V$ $V_{OUT} = 1.5V$ $V_{DD} = 4.5V$, $V_{SS} = 0V$ $f = 1.0MHz$ Note 1	-	-	-
4	Functional Test 4	-	-	3(b)	Verify Truth Table without Load. $V_{IL} = 0.8V$, $V_{IH} = 2.2V$ $V_{OUT} = 1.5V$ $V_{DD} = 5.5V$, $V_{SS} = 0V$ $f = 1.0MHz$ Note 1	-	-	-
5	Functional Test 5	-	-	3(b)	Verify Truth Table with Load. $V_{IL} = 0V$, $V_{IH} = 3.0V$ $V_{OUT} = 1.5V$ $V_{DD} = 4.5V$, $V_{SS} = 0V$ $f = 1.0MHz$ Outputs: 1TTL + 50pF Note 1	-	-	-
6	Functional Test 6	-	-	3(b)	Verify Truth Table with Load. $V_{IL} = 0V$, $V_{IH} = 3.0V$ $V_{OUT} = 1.5V$ $V_{DD} = 5.5V$, $V_{SS} = 0V$ $f = 1.0MHz$ Outputs: 1TTL + 50pF Note 1	-	-	-

NOTES: See Page 49.



TABLE 2 - ELECTRICAL MEASUREMENTS AT ROOM TEMPERATURE - d.c. PARAMETERS (CONT'D)

No.	CHARACTERISTICS	SYMBOL	TEST METHOD MIL-STD 883	TEST FIG.	TEST CONDITIONS (PINS UNDER TEST D = D.I.L., J = JLCC, C = LCC)	LIMITS		UNIT
						MIN	MAX	
7	Functional Test 7	-	-	3(b)	Verify Truth Table with Load. $V_{IL} = 0V$, $V_{IH} = 3.0V$ $V_{OUT} = 1.5V$ $V_{DD} = 4.5V$, $V_{SS} = 0V$ $f = 12MHz$ Outputs: 1TTL + 50pF Note 1	-	-	-
8	Functional Test 8	-	-	3(b)	Verify Truth Table with Load. $V_{IL} = 0V$, $V_{IH} = 3.0V$ $V_{OUT} = 1.5V$ $V_{DD} = 5.5V$, $V_{SS} = 0V$ $f = 12MHz$ Outputs: 1TTL + 50pF Note 1	-	-	-
9	Quiescent Current	I_{DD}	3005	4(a)	$V_{DD} = 5.5V$, $V_{SS} = 0V$ $f = 30MHz$ Note 3 (Pin D 40) (Pin J 38) (Pin C 44)	-	15	mA
10	Supply Current	$I_{DD(S)}$	3005	4(a)	$V_{DD} = 5.5V$, $V_{SS} = 0V$ $f = 30MHz$ Note 4 (Pin D 40) (Pin J 38) (Pin C 44)	-	50	mA
11	Power Down Supply Current 1	$I_{DD(PD1)}$	-	4(a)	$V_{DD} = 2.0V$, $V_{SS} = 0V$ Notes 2 and 5 (Pin D 40) (Pin J 38) (Pin C 44)	-	75	μA
12	Power Down Supply Current 2	$I_{DD(PD2)}$	-	4(a)	$V_{DD} = 5.5V$, $V_{SS} = 0V$ Note 5 (Pin D 40) (Pin J 38) (Pin C 44)	-	75	μA
13 to 20	Input Leakage to Current Low Level 1	I_{IL1}	-	4(b)	V_{IN} (Under Test) = 0.45V $V_{DD} = 5.5V$, $V_{SS} = 0V$ (Pins D 32-33-34-35-36-37-38-39) (Pins J 30-31-32-33-34-35-36-37) (Pins C 36-37-38-39-40-41-42-43)	- 10	10	μA

NOTES: See Page 49.



TABLE 2 - ELECTRICAL MEASUREMENTS AT ROOM TEMPERATURE - d.c. PARAMETERS (CONT'D)

No.	CHARACTERISTICS	SYMBOL	TEST METHOD MIL-STD 883	TEST FIG.	TEST CONDITIONS (PINS UNDER TEST D = D.I.L., J = JLCC, C = LCC)	LIMITS		UNIT
						MIN	MAX	
21	Input Leakage Current Low Level 2	I_{IL2}	-	4(b)	V_{IN} (Under Test) = 0.45V $V_{DD} = 5.5V$, $V_{SS} = 0V$ (Pin D 31) (Pin J 29) (Pin C 35)	- 10	10	μA
22 to 29	Input Leakage Current High Level 1	I_{IH1}	-	4(b)	V_{IN} (Under Test) = 5.5V $V_{DD} = 5.5V$, $V_{SS} = 0V$ (Pins D 32-33-34-35-36-37-38-39) (Pins J 30-31-32-33-34-35-36-37) (Pins C 36-37-38-39-40-41-42-43)	- 10	10	μA
30	Input Leakage Current High Level 2	I_{IH2}	-	4(b)	V_{IN} (Under Test) = 5.5V $V_{DD} = 5.5V$, $V_{SS} = 0V$ (Pin D 31) (Pin J 29) (Pin C 35)	- 10	10	μA
31 to 54	Input Current Low Level	I_{IL}	3009	4(c)	V_{IN} (Under Test) = 0.45V V_{IN} (Remaining Inputs) = 0V $V_{DD} = 5.5V$, $V_{SS} = 0V$ (Pins D 1-2-3-4-5-6-7-8-10-11-12-13-14-15-16-17-21-22-23-24-25-26-27-28) (Pins J 1-2-3-5-7-8-9-10-11-12-13-18-19-20-21-22-23-24-25-40-41-42-43-44) (Pins C 2-3-4-5-6-7-8-9-11-13-14-15-16-17-18-19-24-25-26-27-28-29-30-31)	- 75	-	μA
55 to 78	High to Low Transition Current	I_{IT}	-	4(c)	V_{IN} (Under Test) = 2.0V V_{IN} (Remaining Inputs) = 0V $V_{DD} = 5.5V$, $V_{SS} = 0V$ (Pins D 1-2-3-4-5-6-7-8-10-11-12-13-14-15-16-17-21-22-23-24-25-26-27-28) (Pins J 1-2-3-5-7-8-9-10-11-12-13-18-19-20-21-22-23-24-25-40-41-42-43-44) (Pins C 2-3-4-5-6-7-8-9-11-13-14-15-16-17-18-19-24-25-26-27-28-29-30-31)	- 750	-	μA

NOTES: See Page 49.



TABLE 2 - ELECTRICAL MEASUREMENTS AT ROOM TEMPERATURE - d.c. PARAMETERS (CONT'D)

No.	CHARACTERISTICS	SYMBOL	TEST METHOD MIL-STD 883	TEST FIG.	TEST CONDITIONS (PINS UNDER TEST D = D.I.L., J = JLCC, C = LCC)	LIMITS		UNIT
						MIN	MAX	
79 to 86	Output Voltage Low Level 1	V _{OL1}	3007	4(d)	I _{OL} = 3.2mA V _{DD} = 4.5V, V _{SS} = 0V (Pins D 32-33-34-35-36-37-38-39) (Pins J 30-31-32-33-34-35-36-37) (Pins C 36-37-38-39-40-41-42-43)	-	0.45	V
87 to 110	Output Voltage Low Level 2	V _{OL2}	3007	4(d)	I _{OL} = 1.6mA V _{DD} = 4.5V, V _{SS} = 0V (Pins D 1-2-3-4-5-6-7-8-10-11-12-13-14-15-16-17-21-22-23-24-25-26-27-28) (Pins J 1-2-3-5-7-8-9-10-11-12-13-18-19-20-21-22-23-24-25-40-41-42-43-44) (Pins C 2-3-4-5-6-7-8-9-11-13-14-15-16-17-18-19-24-25-26-27-28-29-30-31)	-	0.45	V
111 to 112	Output Voltage Low Level 3	V _{OL3}	3007	4(d)	I _{OL} = 3.2mA V _{DD} = 4.5V, V _{SS} = 0V (Pins D 29-30) (Pins J 26-27) (Pins C 32-33)	-	0.45	V
113 to 120	Output Voltage High Level 1	V _{OH1}	3006	4(e)	I _{OH} = - 400μA V _{DD} = 4.5V, V _{SS} = 0V (Pins D 32-33-34-35-36-37-38-39) (Pins J 30-31-32-33-34-35-36-37) (Pins C 36-37-38-39-40-41-42-43)	2.4	-	V
121 to 144	Output Voltage High Level 2	V _{OH2}	3006	4(e)	I _{OH} = - 60μA V _{DD} = 4.5V, V _{SS} = 0V (Pins D 1-2-3-4-5-6-7-8-10-11-12-13-14-15-16-17-21-22-23-24-25-26-27-28) (Pins J 1-2-3-5-7-8-9-10-11-12-13-18-19-20-21-22-23-24-25-40-41-42-43-44) (Pins C 2-3-4-5-6-7-8-9-11-13-14-15-16-17-18-19-24-25-26-27-28-29-30-31)	2.4	-	V

NOTES: See Page 49.



TABLE 2 - ELECTRICAL MEASUREMENTS AT ROOM TEMPERATURE - d.c. PARAMETERS (CONT'D)

No.	CHARACTERISTICS	SYMBOL	TEST METHOD MIL-STD 883	TEST FIG.	TEST CONDITIONS (PINS UNDER TEST D = D.I.L., J = JLCC, C = LCC)	LIMITS		UNIT
						MIN	MAX	
145 to 152	Output Voltage High Level 3	V _{OH3}	3006	4(e)	I _{OH} = - 150µA V _{DD} = 4.5V, V _{SS} = 0V Note 2 (Pins D 32-33-34-35-36-37-38-39) (Pins J 30-31-32-33-34-35-36-37) (Pins C 36-37-38-39-40-41-42-43)	3.375	-	V
153 to 176	Output Voltage High Level 4	V _{OH4}	3006	4(e)	I _{OH} = - 25µA V _{DD} = 4.5V, V _{SS} = 0V Note 2 (Pins D 1-2-3-4-5-6-7-8-10-11-12-13-14-15-16-17-21-22-23-24-25-26-27-28) (Pins J 1-2-3-5-7-8-9-10-11-12-13-18-19-20-21-22-23-24-25-40-41-42-43-44) (Pins C 2-3-4-5-6-7-8-9-11-13-14-15-16-17-18-19-24-25-26-27-28-29-30-31)	3.375	-	V
177 to 184	Output Voltage High Level 5	V _{OH5}	3006	4(e)	I _{OH} = - 40µA V _{DD} = 4.5V, V _{SS} = 0V Note 2 (Pins D 32-33-34-35-36-37-38-39) (Pins J 30-31-32-33-34-35-36-37) (Pins C 36-37-38-39-40-41-42-43)	4.05	-	V
185 to 208	Output Voltage High Level 6	V _{OH6}	3006	4(e)	I _{OH} = - 10µA V _{DD} = 4.5V, V _{SS} = 0V Note 2 (Pins D 1-2-3-4-5-6-7-8-10-11-12-13-14-15-16-17-21-22-23-24-25-26-27-28) (Pins J 1-2-3-5-7-8-9-10-11-12-13-18-19-20-21-22-23-24-25-40-41-42-43-44) (Pins C 2-3-4-5-6-7-8-9-11-13-14-15-16-17-18-19-24-25-26-27-28-29-30-31)	4.04	-	V

NOTES: See Page 49.



TABLE 2 - ELECTRICAL MEASUREMENTS AT ROOM TEMPERATURE - d.c. PARAMETERS (CONT'D)

No.	CHARACTERISTICS	SYMBOL	TEST METHOD MIL-STD 883	TEST FIG.	TEST CONDITIONS (PINS UNDER TEST D = D.I.L., J = JLCC, C = LCC)	LIMITS		UNIT
						MIN	MAX	
209 to 210	Output Voltage High Level 7	V _{OH7}	3006	4(e)	I _{OH} = - 400µA V _{DD} = 4.5V, V _{SS} = 0V (Pins D 29-30) (Pins J 26-27) (Pins C 32-33)	2.4	-	V
211 to 212	Output Voltage High Level 8	V _{OH8}	3006	4(e)	I _{OH} = - 150µA V _{DD} = 4.5V, V _{SS} = 0V Note 2 (Pins D 29-30) (Pins J 26-27) (Pins C 32-33)	3.375	-	V
213 to 214	Output Voltage High Level 9	V _{OH9}	3006	4(e)	I _{OH} = - 40µA V _{DD} = 4.5V, V _{SS} = 0V Note 2 (Pins D 29-30) (Pins J 26-27) (Pins C 32-33)	4.05	-	V
215 to 252	Input Clamp Voltage (to V _{SS})	V _{IC1}	-	4(f)	I _{IN} (Under Test) = 100µA V _{DD} = Open, V _{SS} = 0V Note 2 (Pins D 1-2-3-4-5-6-7-8-9-10-11-12-13-14-15-16-17-18-19-21-22-23-24-25-26-27-28-29-30-31-32-33-34-35-36-37-38-39) (Pins J 1-2-3-4-5-7-8-9-10-11-12-13-14-15-18-19-20-21-22-23-24-25-26-27-29-30-31-32-33-34-35-36-37-40-41-42-43-44) (Pins C 2-3-4-5-6-7-8-9-10-11-13-14-15-16-17-18-19-20-21-24-25-26-27-28-29-30-31-32-33-35-36-37-38-39-40-41-42-43)	0.2	-	V

NOTES: See Page 49.



TABLE 2 - ELECTRICAL MEASUREMENTS AT ROOM TEMPERATURE - d.c. PARAMETERS (CONT'D)

No.	CHARACTERISTICS	SYMBOL	TEST METHOD MIL-STD 883	TEST FIG.	TEST CONDITIONS (PINS UNDER TEST D = D.I.L., J = JLCC, C = LCC)	LIMITS		UNIT
						MIN	MAX	
253 to 290	Input Clamp Voltage (to V _{DD})	V _{IC2}	-	4(f)	I _{IN} (Under Test) = 100μA V _{DD} = 0V, V _{SS} = Open Note 2 (Pins D 1-2-3-4-5-6-7-8-9-10-11- 12-13-14-15-16-17-18-19-21-22- 23-24-25-26-27-28-29-30-31-32- 33-34-35-36-37-38-39) (Pins J 1-2-3-4-5-7-8-9-10-11-12- 13-14-15-18-19-20-21-22-23-24- 25-26-27-29-30-31-32-33-34-35- 36-37-40-41-42-43-44) (Pins C 2-3-4-5-6-7-8-9-10-11-13- 14-15-16-17-18-19-20-21-24-25- 26-27-28-29-30-31-32-33-35-36- 37-38-39-40-41-42-43)	-	- 0.2	V
291	Reset Resistor	RRST	-	-	V _{DD} = 4.5V (Pin D 9) (Pin J 4) (Pin C 10)	50	200	kΩ

NOTES: See Page 49.



TABLE 2 - ELECTRICAL MEASUREMENTS AT ROOM TEMPERATURE - a.c. PARAMETERS

No.	CHARACTERISTICS	SYMBOL	TEST METHOD MIL-STD 883	TEST FIG.	TEST CONDITIONS (PINS UNDER TEST D = D.I.L., J = JLCC, C = LCC)	LIMITS		UNIT
						MIN	MAX	
292 to 329	Input/Output Capacitance		-	4(f)	V _{IN/OUT} (Not Under Test) = 0V V _{DD} = V _{SS} = 0V f = 1.0MHz Note 6 (Pins D 1-2-3-4-5-6-7-8-9-10-11-12-13-14-15-16-17-18-19-21-22-23-24-25-26-27-28-29-30-31-32-33-34-35-36-37-38-39) (Pins J 1-2-3-4-5-7-8-9-10-11-12-13-14-15-18-19-20-21-22-23-24-25-26-27-29-30-31-32-33-34-35-36-37-40-41-42-43-44) (Pins C 2-3-4-5-6-7-8-9-10-11-13-14-15-16-17-18-19-20-21-24-25-26-27-28-29-30-31-32-33-35-36-37-38-39-40-41-42-43)	-	10	pF
330 to 331	ALE Pulse Width	TLHLL	-	4(g)	f = 30MHz V _{DD} = 4.5V and 5.5V, V _{SS} = 0V Note 7 (Pin D 30) (Pin J 27) (Pin C 33)	60	-	ns
332 to 333	Address Valid to ALE	TAVLL	-	4(g)	f = 30MHz V _{DD} = 4.5V and 5.5V, V _{SS} = 0V Note 7 (Pins D (32 to 39) to 30) (Pins J (30 to 37) to 27) (Pins C (36 to 43) to 33)	15	-	ns
334 to 335	Address Hold to ALE	TLLAX	-	4(g)	f = 30MHz V _{DD} = 4.5V and 5.5V, V _{SS} = 0V Note 7 (Pins D 30 to (32 to 39)) (Pins J 27 to (30 to 37)) (Pins C 33 to (36 to 43))	35	-	ns
336 to 337	ALE to Valid Inst. In	TLLIV	-	4(g)	f = 30MHz V _{DD} = 4.5V and 5.5V, V _{SS} = 0V Note 7 (Pins D 30 to (32 to 39)) (Pins J 27 to (30 to 37)) (Pins C 33 to (36 to 43))	100	-	ns

NOTES: See Page 49.



TABLE 2 - ELECTRICAL MEASUREMENTS AT ROOM TEMPERATURE - a.c. PARAMETERS (CONT'D)

No.	CHARACTERISTICS	SYMBOL	TEST METHOD MIL-STD 883	TEST FIG.	TEST CONDITIONS (PINS UNDER TEST D = D.I.L., J = JLCC, C = LCC)	LIMITS		UNIT
						MIN	MAX	
338 to 339	$\overline{\text{PSEN}}$ to Valid Inst. In	TPLIV	-	4(g)	f = 30MHz $V_{DD} = 4.5V$ and $5.5V$, $V_{SS} = 0V$ Note 7 (Pins D 29 to (32 to 39)) (Pins J 26 to (30 to 37)) (Pins C 32 to (36 to 43))	65	-	ns
340 to 341	Address to Valid Inst. In	TAVIV	-	4(g)	f = 30MHz $V_{DD} = 4.5V$ and $5.5V$, $V_{SS} = 0V$ Note 7 (Pins D (21 to 28) to (32 to 39)) (Pins J (18 to 25) to (30 to 37)) (Pins C (24 to 31) to (36 to 43))	130	-	ns
342 to 343	$\overline{\text{RD}}$ to Valid Data In	TRLDV	-	4(g)	f = 30MHz $V_{DD} = 4.5V$ and $5.5V$, $V_{SS} = 0V$ Note 7 (Pins D 17 to (32 to 39)) (Pins J 13 to (30 to 37)) (Pins C 19 to (36 to 43))	135	-	ns
344 to 345	ALE to Valid Data In	TLLDV	-	4(g)	f = 30MHz $V_{DD} = 4.5V$ and $5.5V$, $V_{SS} = 0V$ Note 7 (Pins D 30 to (32 to 39)) (Pins J 27 to (30 to 37)) (Pins C 33 to (36 to 43))	235	-	ns
346 to 347	ALE to $\overline{\text{WR}}$	TLLWL	-	4(g)	f = 30MHz $V_{DD} = 4.5V$ and $5.5V$, $V_{SS} = 0V$ Note 7 (Pins D 30 to 16) (Pins J 27 to 12) (Pins C 33 to 18)	90	115	ns
348 to 349	Address to $\overline{\text{WR}}$	TAVWL	-	4(g)	f = 30MHz $V_{DD} = 4.5V$ and $5.5V$, $V_{SS} = 0V$ Note 7 (Pins D (32 to 39) to 16) (Pins J (30 to 37) to 12) (Pins C (36 to 43) to 18)	115	-	ns
350 to 351	Address to $\overline{\text{RD}}$	TAVRL	-	4(g)	f = 30MHz $V_{DD} = 4.5V$ and $5.5V$, $V_{SS} = 0V$ Note 7 (Pins D (32 to 39) to 17) (Pins J (30 to 37) to 13) (Pins C (36 to 43) to 19)	115	-	ns

NOTES: See Page 49.

**TABLE 2 - ELECTRICAL MEASUREMENTS AT ROOM TEMPERATURE - a.c. PARAMETERS (CONT'D)**

No.	CHARACTERISTICS	SYMBOL	TEST METHOD MIL-STD 883	TEST FIG.	TEST CONDITIONS (PINS UNDER TEST D = D.I.L., J = JLCC, C = LCC)	LIMITS		UNIT
						MIN	MAX	
352 to 353	ALE to $\overline{\text{PSEN}}$	TLLPL	-	4(g)	f = 30MHz V _{DD} = 4.5V and 5.5V, V _{SS} = 0V Note 2 (Pins D 30 to 29) (Pins J 27 to 26) (Pins C 33 to 32)	25	-	ns
354 to 355	$\overline{\text{PSEN}}$ Pulse Width	TPLPH	-	4(g)	f = 30MHz V _{DD} = 4.5V and 5.5V, V _{SS} = 0V Note 2 (Pin D 29) (Pin J 26) (Pin C 32)	80	-	ns
356 to 357	$\overline{\text{PSEN}}$ to In Instr. Hold	TPXIX	-	4(g)	f = 30MHz V _{DD} = 4.5V and 5.5V, V _{SS} = 0V Note 2 (Pins D 29 to (32 to 39)) (Pins J 26 to (30 to 37)) (Pins C 32 to (36 to 43))	-	0	ns
358 to 359	$\overline{\text{PSEN}}$ to Address Valid	TPXAV	-	4(g)	f = 30MHz V _{DD} = 4.5V and 5.5V, V _{SS} = 0V Note 2 (Pins D 29 to (21 to 28)) (Pins J 26 to (18 to 25)) (Pins C 32 to (26 to 31))	30	-	ns
360 to 361	$\overline{\text{RD}}$ Pulse Width	TRLRH	-	4(g)	f = 30MHz V _{DD} = 4.5V and 5.5V, V _{SS} = 0V Note 2 (Pin D 17) (Pin J 13) (Pin C 19)	180	-	ns
362 to 363	$\overline{\text{WR}}$ Pulse Width	TWLWH	-	4(g)	f = 30MHz V _{DD} = 4.5V and 5.5V, V _{SS} = 0V Note 2 (Pin D 16) (Pin J 12) (Pin C 18)	180	-	ns
364 to 365	ALE to Data Address Hold	TLLAXR	-	4(g)	f = 30MHz V _{DD} = 4.5V and 5.5V, V _{SS} = 0V Note 2 (Pins D 30 to (32 to 39)) (Pins J 27 to (30 to 37)) (Pins C 33 to (36 to 43))	55	-	ns

NOTES: See Page 49.

**TABLE 2 - ELECTRICAL MEASUREMENTS AT ROOM TEMPERATURE - a.c. PARAMETERS (CONT'D)**

No.	CHARACTERISTICS	SYMBOL	TEST METHOD MIL-STD 883	TEST FIG.	TEST CONDITIONS (PINS UNDER TEST D = D.I.L., J = JLCC, C = LCC)	LIMITS		UNIT
						MIN	MAX	
366 to 367	\overline{RD} to Data Hold	TRHDX	-	4(g)	f = 30MHz $V_{DD} = 4.5V$ and $5.5V$, $V_{SS} = 0V$ Note 2 (Pins D 17 to (32 to 39)) (Pins J 13 to (30 to 37)) (Pins C 19 to (36 to 43))	-	0	ns
368 to 369	\overline{RD} to Data Float	TRHDZ	-	4(g)	f = 30MHz $V_{DD} = 4.5V$ and $5.5V$, $V_{SS} = 0V$ Note 2 (Pins D 17 to (32 to 39)) (Pins J 13 to (30 to 37)) (Pins C 19 to (36 to 43))	60	-	ns
370 to 371	Address to Valid Data In	TAVDV	-	4(g)	f = 30MHz $V_{DD} = 4.5V$ and $5.5V$, $V_{SS} = 0V$ Note 2 (Pins D (21 to 28) to (32 to 39)) (Pins J (18 to 25) to (30 to 37)) (Pins C (24 to 31) to (36 to 43))	260	-	ns
372 to 373	ALE to \overline{RD}	TLLRL	-	4(g)	f = 30MHz $V_{DD} = 4.5V$ and $5.5V$, $V_{SS} = 0V$ Note 2 (Pins D 30 to 17) (Pins J 27 to 13) (Pins C 33 to 19)	90	115	ns
374 to 375	Data Valid to \overline{WR}	TQVWX	-	4(g)	f = 30MHz $V_{DD} = 4.5V$ and $5.5V$, $V_{SS} = 0V$ Note 2 (Pins D (32 to 39) to 16) (Pins J (30 to 37) to 12) (Pins C (36 to 43) to 18)	20	-	ns
376 to 377	Data Setup to \overline{WR} High	TQVWH	-	4(g)	f = 30MHz $V_{DD} = 4.5V$ and $5.5V$, $V_{SS} = 0V$ Note 2 (Pins D (32 to 39) to 16) (Pins J (30 to 37) to 12) (Pins C (36 to 43) to 18)	215	-	ns
378 to 379	\overline{WR} to Data Hold	TWHQX	-	4(g)	f = 30MHz $V_{DD} = 4.5V$ and $5.5V$, $V_{SS} = 0V$ Note 2 (Pins D 16 to (32 to 39)) (Pins J 12 to (30 to 37)) (Pins C 18 to (36 to 43))	20	-	ns

NOTES: See Page 49.



TABLE 2 - ELECTRICAL MEASUREMENTS AT ROOM TEMPERATURE - a.c. PARAMETERS (CONT'D)

No.	CHARACTERISTICS	SYMBOL	TEST METHOD MIL-STD 883	TEST FIG.	TEST CONDITIONS (PINS UNDER TEST D = D.I.L., J = JLCC, C = LCC)	LIMITS		UNIT
						MIN	MAX	
380 to 381	\overline{RD} Low to Address Float	TRLAZ	-	4(g)	f = 30MHz $V_{DD} = 4.5V$ and $5.5V$, $V_{SS} = 0V$ Note 2 (Pins D 17 to (32 to 39)) (Pins J 13 to (30 to 37)) (Pins C 19 to (36 to 43))	-	0	ns
382 to 383	\overline{WR} High to ALE High	TWHLH	-	4(g)	f = 30MHz $V_{DD} = 4.5V$ and $5.5V$, $V_{SS} = 0V$ Note 2 (Pins D 16 to 30) (Pins J 12 to 27) (Pins C 18 to 33)	20	40	ns
384 to 385	\overline{RD} High to ALE High	TRHLH	-	4(g)	f = 30MHz $V_{DD} = 4.5V$ and $5.5V$, $V_{SS} = 0V$ Note 2 (Pins D 17 to 30) (Pins J 13 to 27) (Pins C 19 to 33)	20	40	ns
386 to 387	Serial Port Clock Cycle Time	TXLXL	-	4(g)	f = 30MHz $V_{DD} = 4.5V$ and $5.5V$, $V_{SS} = 0V$ Note 2	400	-	ns
388 to 389	Out Data Setup to Clock	TQVXH	-	4(g)	f = 30MHz $V_{DD} = 4.5V$ and $5.5V$, $V_{SS} = 0V$ Note 2	300	-	ns
390 to 391	Clock to Out Data Hold	TXHQX	-	4(g)	f = 30MHz $V_{DD} = 4.5V$ and $5.5V$, $V_{SS} = 0V$ Note 2	50	-	ns
392 to 393	Clock to In Data Hold	TXHDX	-	4(g)	f = 30MHz $V_{DD} = 4.5V$ and $5.5V$, $V_{SS} = 0V$ Note 2	-	0	ns
394 to 395	Clock High to In Data Valid	TXHDV	-	4(g)	f = 30MHz $V_{DD} = 4.5V$ and $5.5V$, $V_{SS} = 0V$ Note 2	300	-	ns

NOTES: See Page 49.

**TABLE 2 - ELECTRICAL MEASUREMENTS AT ROOM TEMPERATURE (CONT'D)****NOTES**

- Functional test includes: instruction set, internal registers, interrupts, timer, serial port, external data, programme counter, ram, idle mode, power-down mode.
Other parameters (guaranteed):
 $V_{IL} \text{ min} = -0.5\text{V}$ $V_{IL} \text{ max} = 0.2V_{DD} - 0.25\text{V}$ (0.85V at 5.5V)
Except Pin \overline{EA} : $V_{IL} \text{ max} = 0.2V_{DD} - 0.45\text{V}$.
 $V_{IH} \text{ max} = V_{DD} + 0.5\text{V}$ $V_{IH} \text{ min} = 0.2V_{DD} + 1.1\text{V}$ (2.0V at 4.5V)
Except Pins XTAL1, RESET: $V_{IH} \text{ min} = 0.7V_{DD} + 0.2\text{V}$.
- Guaranteed but not tested.
- I_{DD} is measured with all output pins disconnected; XTAL1 driven with $TCLCH = TCHCL = 5.0\text{ns}$,
 $V_{IL} = V_{SS} + 0.5\text{V}$, $V_{IH} = V_{DD} - 0.5\text{V}$; XTAL2 = NC; $\overline{EA} = RST = V_{SS}$; PORT0 = V_{DD} .
- $I_{DD(S)}$ is measured with all output pins disconnected. XTAL1 driven with $TCLCH = TCHCL = 5.0\text{ns}$;
 $V_{IL} = V_{SS} + 0.5\text{V}$; $V_{IH} = V_{DD} - 0.5\text{V}$; XTAL2 = NC; PORT0 = $\overline{EA} = RST = V_{SS}$.
- $I_{DD(PD)}$ is measured with all output pins disconnected; $\overline{EA} = PORT0 = V_{DD}$; XTAL2 = NC; XTAL1 = $RST = V_{SS}$.
- Characterised at Initial design or at major Design or Process change. Guaranteed but not tested.
- Measurements shall be performed on a 100% basis, Read and Record.

**TABLE 3 - ELECTRICAL MEASUREMENTS AT HIGH AND LOW TEMPERATURES -
d.c. PARAMETERS**

No.	CHARACTERISTICS	SYMBOL	TEST METHOD MIL-STD 883	TEST FIG.	TEST CONDITIONS (PINS UNDER TEST D = D.I.L., J = JLCC, C = LCC)	LIMITS		UNIT
						MIN	MAX	
1	Functional Test 1	-	-	3(b)	Verify Truth Table without Load. $V_{IL} = 0V$, $V_{IH} = 3.0V$ $V_{OUT} = 1.5V$ $V_{DD} = 4.0V$, $V_{SS} = 0V$ $f = 1.0MHz$ Note 1	-	-	-
2	Functional Test 2	-	-	3(b)	Verify Truth Table without Load. $V_{IL} = 0V$, $V_{IH} = 3.0V$ $V_{OUT} = 1.5V$ $V_{DD} = 5.5V$, $V_{SS} = 0V$ $f = 1.0MHz$ Note 1	-	-	-
3	Functional Test 3	-	-	3(b)	Verify Truth Table without Load. $V_{IL} = 0.8V$, $V_{IH} = 2.2V$ $V_{OUT} = 1.5V$ $V_{DD} = 4.5V$, $V_{SS} = 0V$ $f = 1.0MHz$ Note 1	-	-	-
4	Functional Test 4	-	-	3(b)	Verify Truth Table without Load. $V_{IL} = 0.8V$, $V_{IH} = 2.2V$ $V_{OUT} = 1.5V$ $V_{DD} = 5.5V$, $V_{SS} = 0V$ $f = 1.0MHz$ Note 1	-	-	-
5	Functional Test 5	-	-	3(b)	Verify Truth Table with Load. $V_{IL} = 0V$, $V_{IH} = 3.0V$ $V_{OUT} = 1.5V$ $V_{DD} = 4.5V$, $V_{SS} = 0V$ $f = 1.0MHz$ Outputs: 1TTL + 50pF Note 1	-	-	-
6	Functional Test 6	-	-	3(b)	Verify Truth Table with Load. $V_{IL} = 0V$, $V_{IH} = 3.0V$ $V_{OUT} = 1.5V$ $V_{DD} = 5.5V$, $V_{SS} = 0V$ $f = 1.0MHz$ Outputs: 1TTL + 50pF Note 1	-	-	-

NOTES: See Page 49.



**TABLE 3 - ELECTRICAL MEASUREMENTS AT HIGH AND LOW TEMPERATURES -
d.c. PARAMETERS (CONT'D)**

No.	CHARACTERISTICS	SYMBOL	TEST METHOD MIL-STD 883	TEST FIG.	TEST CONDITIONS (PINS UNDER TEST D = D.I.L., J = JLCC, C = LCC)	LIMITS		UNIT
						MIN	MAX	
7	Functional Test 7	-	-	3(b)	Verify Truth Table with Load. $V_{IL} = 0V$, $V_{IH} = 3.0V$ $V_{OUT} = 1.5V$ $V_{DD} = 4.5V$, $V_{SS} = 0V$ $f = 12MHz$ Outputs: 1TTL + 50pF Note 1	-	-	-
8	Functional Test 8	-	-	3(b)	Verify Truth Table with Load. $V_{IL} = 0V$, $V_{IH} = 3.0V$ $V_{OUT} = 1.5V$ $V_{DD} = 5.5V$, $V_{SS} = 0V$ $f = 12MHz$ Outputs: 1TTL + 50pF Note 1	-	-	-
9	Quiescent Current	I_{DD}	3005	4(a)	$V_{DD} = 5.5V$, $V_{SS} = 0V$ $f = 30MHz$ Note 3 (Pin D 40) (Pin J 38) (Pin C 44)	-	15	mA
10	Supply Current	$I_{DD(S)}$	3005	4(a)	$V_{DD} = 5.5V$, $V_{SS} = 0V$ $f = 30MHz$ Note 4 (Pin D 40) (Pin J 38) (Pin C 44)	-	50	mA
11	Power Down Supply Current 1	$I_{DD(PD1)}$	-	4(a)	$V_{DD} = 2.0V$, $V_{SS} = 0V$ Notes 2 and 5 (Pin D 40) (Pin J 38) (Pin C 44)	-	75	μA
12	Power Down Supply Current 2	$I_{DD(PD2)}$	-	4(a)	$V_{DD} = 5.5V$, $V_{SS} = 0V$ Note 5 (Pin D 40) (Pin J 38) (Pin C 44)	-	75	μA
13 to 20	Input Leakage to Current Low Level 1	I_{IL1}	-	4(b)	V_{IN} (Under Test) = 0.45V $V_{DD} = 5.5V$, $V_{SS} = 0V$ (Pins D 32-33-34-35-36-37-38-39) (Pins J 30-31-32-33-34-35-36-37) (Pins C 36-37-38-39-40-41-42-43)	- 10	10	μA

NOTES: See Page 49.



**TABLE 3 - ELECTRICAL MEASUREMENTS AT HIGH AND LOW TEMPERATURES -
d.c. PARAMETERS (CONT'D)**

No.	CHARACTERISTICS	SYMBOL	TEST METHOD MIL-STD 883	TEST FIG.	TEST CONDITIONS (PINS UNDER TEST D = D.I.L., J = JLCC, C = LCC)	LIMITS		UNIT
						MIN	MAX	
21	Input Leakage Current Low Level 2	I_{IL2}	-	4(b)	V_{IN} (Under Test) = 0.45V $V_{DD} = 5.5V, V_{SS} = 0V$ (Pin D 31) (Pin J 29) (Pin C 35)	- 10	10	μA
22	Input Leakage Current High Level 1 29	I_{IH1}	-	4(b)	V_{IN} (Under Test) = 5.5V $V_{DD} = 5.5V, V_{SS} = 0V$ (Pins D 32-33-34-35-36-37-38-39) (Pins J 30-31-32-33-34-35-36-37) (Pins C 36-37-38-39-40-41-42-43)	- 10	10	μA
30	Input Leakage Current High Level 2	I_{IH2}	-	4(b)	V_{IN} (Under Test) = 5.5V $V_{DD} = 5.5V, V_{SS} = 0V$ (Pin D 31) (Pin J 29) (Pin C 35)	- 10	10	μA
31 to 54	Input Current Low Level	I_{IL}	3009	4(c)	V_{IN} (Under Test) = 0.45V V_{IN} (Remaining Inputs) = 0V $V_{DD} = 5.5V, V_{SS} = 0V$ (Pins D 1-2-3-4-5-6-7-8-10-11-12-13-14-15-16-17-21-22-23-24-25-26-27-28) (Pins J 1-2-3-5-7-8-9-10-11-12-13-18-19-20-21-22-23-24-25-40-41-42-43-44) (Pins C 2-3-4-5-6-7-8-9-11-13-14-15-16-17-18-19-24-25-26-27-28-29-30-31)	- 75	-	μA
55 to 78	High to Low Transition Current	I_{IT}	-	4(c)	V_{IN} (Under Test) = 2.0V V_{IN} (Remaining Inputs) = 0V $V_{DD} = 5.5V, V_{SS} = 0V$ (Pins D 1-2-3-4-5-6-7-8-10-11-12-13-14-15-16-17-21-22-23-24-25-26-27-28) (Pins J 1-2-3-5-7-8-9-10-11-12-13-18-19-20-21-22-23-24-25-40-41-42-43-44) (Pins C 2-3-4-5-6-7-8-9-11-13-14-15-16-17-18-19-24-25-26-27-28-29-30-31)	- 750	-	μA

NOTES: See Page 49.

**TABLE 3 - ELECTRICAL MEASUREMENTS AT HIGH AND LOW TEMPERATURES -
d.c. PARAMETERS (CONT'D)**

No.	CHARACTERISTICS	SYMBOL	TEST METHOD MIL-STD 883	TEST FIG.	TEST CONDITIONS (PINS UNDER TEST D = D.I.L., J = JLCC, C = LCC)	LIMITS		UNIT
						MIN	MAX	
79 to 86	Output Voltage Low Level 1	V _{OL1}	3007	4(d)	I _{OL} = 3.2mA V _{DD} = 4.5V, V _{SS} = 0V (Pins D 32-33-34-35-36-37-38-39) (Pins J 30-31-32-33-34-35-36-37) (Pins C 36-37-38-39-40-41-42-43)	-	0.45	V
87 to 110	Output Voltage Low Level 2	V _{OL2}	3007	4(d)	I _{OL} = 1.6mA V _{DD} = 4.5V, V _{SS} = 0V (Pins D 1-2-3-4-5-6-7-8-10-11-12-13-14-15-16-17-21-22-23-24-25-26-27-28) (Pins J 1-2-3-5-7-8-9-10-11-12-13-18-19-20-21-22-23-24-25-40-41-42-43-44) (Pins C 2-3-4-5-6-7-8-9-11-13-14-15-16-17-18-19-24-25-26-27-28-29-30-31)	-	0.45	V
111 to 112	Output Voltage Low Level 3	V _{OL3}	3007	4(d)	I _{OL} = 3.2mA V _{DD} = 4.5V, V _{SS} = 0V (Pins D 29-30) (Pins J 26-27) (Pins C 32-33)	-	0.45	V
113 to 120	Output Voltage High Level 1	V _{OH1}	3006	4(e)	I _{OH} = - 400µA V _{DD} = 4.5V, V _{SS} = 0V (Pins D 32-33-34-35-36-37-38-39) (Pins J 30-31-32-33-34-35-36-37) (Pins C 36-37-38-39-40-41-42-43)	2.4	-	V
121 to 144	Output Voltage High Level 2	V _{OH2}	3006	4(e)	I _{OH} = - 60µA V _{DD} = 4.5V, V _{SS} = 0V (Pins D 1-2-3-4-5-6-7-8-10-11-12-13-14-15-16-17-21-22-23-24-25-26-27-28) (Pins J 1-2-3-5-7-8-9-10-11-12-13-18-19-20-21-22-23-24-25-40-41-42-43-44) (Pins C 2-3-4-5-6-7-8-9-11-13-14-15-16-17-18-19-24-25-26-27-28-29-30-31)	2.4	-	V

NOTES: See Page 49.



**TABLE 3 - ELECTRICAL MEASUREMENTS AT HIGH AND LOW TEMPERATURES -
d.c. PARAMETERS (CONT'D)**

No.	CHARACTERISTICS	SYMBOL	TEST METHOD MIL-STD 883	TEST FIG.	TEST CONDITIONS (PINS UNDER TEST D = D.I.L., J = JLCC, C = LCC)	LIMITS		UNIT
						MIN	MAX	
145 to 152	Output Voltage High Level 3	V _{OH3}	3006	4(e)	I _{OH} = - 150µA V _{DD} = 4.5V, V _{SS} = 0V Note 2 (Pins D 32-33-34-35-36-37-38-39) (Pins J 30-31-32-33-34-35-36-37) (Pins C 36-37-38-39-40-41-42-43)	3.375	-	V
153 to 176	Output Voltage High Level 4	V _{OH4}	3006	4(e)	I _{OH} = - 25µA V _{DD} = 4.5V, V _{SS} = 0V Note 2 (Pins D 1-2-3-4-5-6-7-8-10-11-12-13-14-15-16-17-21-22-23-24-25-26-27-28) (Pins J 1-2-3-5-7-8-9-10-11-12-13-18-19-20-21-22-23-24-25-40-41-42-43-44) (Pins C 2-3-4-5-6-7-8-9-11-13-14-15-16-17-18-19-24-25-26-27-28-29-30-31)	3.375	-	V
177 to 184	Output Voltage High Level 5	V _{OH5}	3006	4(e)	I _{OH} = - 40µA V _{DD} = 4.5V, V _{SS} = 0V Note 2 (Pins D 32-33-34-35-36-37-38-39) (Pins J 30-31-32-33-34-35-36-37) (Pins C 36-37-38-39-40-41-42-43)	4.05	-	V
185 to 208	Output Voltage High Level 6	V _{OH6}	3006	4(e)	I _{OH} = - 10µA V _{DD} = 4.5V, V _{SS} = 0V Note 2 (Pins D 1-2-3-4-5-6-7-8-10-11-12-13-14-15-16-17-21-22-23-24-25-26-27-28) (Pins J 1-2-3-5-7-8-9-10-11-12-13-18-19-20-21-22-23-24-25-40-41-42-43-44) (Pins C 2-3-4-5-6-7-8-9-11-13-14-15-16-17-18-19-24-25-26-27-28-29-30-31)	4.04	-	V

NOTES: See Page 49.



**TABLE 3 - ELECTRICAL MEASUREMENTS AT HIGH AND LOW TEMPERATURES -
d.c. PARAMETERS (CONT'D)**

No.	CHARACTERISTICS	SYMBOL	TEST METHOD MIL-STD 883	TEST FIG.	TEST CONDITIONS (PINS UNDER TEST D = D.I.L., J = JLCC, C = LCC)	LIMITS		UNIT
						MIN	MAX	
209 to 210	Output Voltage High Level 7	V _{OH7}	3006	4(e)	I _{OH} = - 400µA V _{DD} = 4.5V, V _{SS} = 0V (Pins D 29-30) (Pins J 26-27) (Pins C 32-33)	2.4	-	V
211 to 212	Output Voltage High Level 8	V _{OH8}	3006	4(e)	I _{OH} = - 150µA V _{DD} = 4.5V, V _{SS} = 0V Note 2 (Pins D 29-30) (Pins J 26-27) (Pins C 32-33)	3.375	-	V
213 to 214	Output Voltage High Level 9	V _{OH9}	3006	4(e)	I _{OH} = - 40µA V _{DD} = 4.5V, V _{SS} = 0V Note 2 (Pins D 29-30) (Pins J 26-27) (Pins C 32-33)	4.05	-	V
215 to 252	Input Clamp Voltage (to V _{SS})	V _{IC1}	-	4(f)	I _{IN} (Under Test) = 100µA V _{DD} = Open, V _{SS} = 0V Note 2 (Pins D 1-2-3-4-5-6-7-8-9-10-11-12-13-14-15-16-17-18-19-21-22-23-24-25-26-27-28-29-30-31-32-33-34-35-36-37-38-39) (Pins J 1-2-3-4-5-7-8-9-10-11-12-13-14-15-18-19-20-21-22-23-24-25-26-27-29-30-31-32-33-34-35-36-37-40-41-42-43-44) (Pins C 2-3-4-5-6-7-8-9-10-11-13-14-15-16-17-18-19-20-21-24-25-26-27-28-29-30-31-32-33-35-36-37-38-39-40-41-42-43)	0.2	-	V

NOTES: See Page 49.



**TABLE 3 - ELECTRICAL MEASUREMENTS AT HIGH AND LOW TEMPERATURES -
d.c. PARAMETERS (CONT'D)**

No.	CHARACTERISTICS	SYMBOL	TEST METHOD MIL-STD 883	TEST FIG.	TEST CONDITIONS (PINS UNDER TEST D = D.I.L., J = JLCC, C = LCC)	LIMITS		UNIT
						MIN	MAX	
253 to 290	Input Clamp Voltage (to V _{DD})	V _{IC2}	-	4(f)	I _{IN} (Under Test) = 100µA V _{DD} = 0V, V _{SS} = Open Note 2 (Pins D 1-2-3-4-5-6-7-8-9-10-11-12-13-14-15-16-17-18-19-21-22-23-24-25-26-27-28-29-30-31-32-33-34-35-36-37-38-39) (Pins J 1-2-3-4-5-7-8-9-10-11-12-13-14-15-18-19-20-21-22-23-24-25-26-27-29-30-31-32-33-34-35-36-37-40-41-42-43-44) (Pins C 2-3-4-5-6-7-8-9-10-11-13-14-15-16-17-18-19-20-21-24-25-26-27-28-29-30-31-32-33-35-36-37-38-39-40-41-42-43)	-	- 0.2	V
291	Reset Resistor	RRST	-	-	V _{DD} = 4.5V (Pin D 9) (Pin J 4) (Pin C 10)	50	200	kΩ

NOTES: See Page 49.



**TABLE 3 - ELECTRICAL MEASUREMENTS AT HIGH AND LOW TEMPERATURES -
a.c. PARAMETERS**

No.	CHARACTERISTICS	SYMBOL	TEST METHOD MIL-STD 883	TEST FIG.	TEST CONDITIONS (PINS UNDER TEST D = D.I.L., J = JLCC, C = LCC)	LIMITS		UNIT
						MIN	MAX	
292 to 329	Input/Output Capacitance		-	4(f)	V _{IN/OUT} (Not Under Test) = 0V V _{DD} = V _{SS} = 0V f = 1.0MHz Note 6 (Pins D 1-2-3-4-5-6-7-8-9-10-11-12-13-14-15-16-17-18-19-21-22-23-24-25-26-27-28-29-30-31-32-33-34-35-36-37-38-39) (Pins J 1-2-3-4-5-7-8-9-10-11-12-13-14-15-18-19-20-21-22-23-24-25-26-27-29-30-31-32-33-34-35-36-37-40-41-42-43-44) (Pins C 2-3-4-5-6-7-8-9-10-11-13-14-15-16-17-18-19-20-21-24-25-26-27-28-29-30-31-32-33-35-36-37-38-39-40-41-42-43)	-	10	pF
330 to 331	ALE Pulse Width	TLHLL	-	4(g)	f = 30MHz V _{DD} = 4.5V and 5.5V, V _{SS} = 0V Note 7 (Pin D 30) (Pin J 27) (Pin C 33)	60	-	ns
332 to 333	Address Valid to ALE	TAVLL	-	4(g)	f = 30MHz V _{DD} = 4.5V and 5.5V, V _{SS} = 0V Note 7 (Pins D (32 to 39) to 30) (Pins J (30 to 37) to 27) (Pins C (36 to 43) to 33)	15	-	ns
334 to 335	Address Hold to ALE	TLLAX	-	4(g)	f = 30MHz V _{DD} = 4.5V and 5.5V, V _{SS} = 0V Note 7 (Pins D 30 to (32 to 39)) (Pins J 27 to (30 to 37)) (Pins C 33 to (36 to 43))	35	-	ns
336 to 337	ALE to Valid Inst. In	TLLIV	-	4(g)	f = 30MHz V _{DD} = 4.5V and 5.5V, V _{SS} = 0V Note 7 (Pins D 30 to (32 to 39)) (Pins J 27 to (30 to 37)) (Pins C 33 to (36 to 43))	100	-	ns

NOTES: See Page 49.



**TABLE 3 - ELECTRICAL MEASUREMENTS AT HIGH AND LOW TEMPERATURES -
a.c. PARAMETERS (CONT'D)**

No.	CHARACTERISTICS	SYMBOL	TEST METHOD MIL-STD 883	TEST FIG.	TEST CONDITIONS (PINS UNDER TEST D = D.I.L., J = JLCC, C = LCC)	LIMITS		UNIT
						MIN	MAX	
338 to 339	$\overline{\text{PSEN}}$ to Valid Inst. In	TPLIV	-	4(g)	f = 30MHz $V_{DD} = 4.5V$ and $5.5V$, $V_{SS} = 0V$ Note 7 (Pins D 29 to (32 to 39)) (Pins J 26 to (30 to 37)) (Pins C 32 to (36 to 43))	65	-	ns
340 to 341	Address to Valid Inst. In	TAVIV	-	4(g)	f = 30MHz $V_{DD} = 4.5V$ and $5.5V$, $V_{SS} = 0V$ Note 7 (Pins D (21 to 28) to (32 to 39)) (Pins J (18 to 25) to (30 to 37)) (Pins C (24 to 31) to (36 to 43))	130	-	ns
342 to 343	$\overline{\text{RD}}$ to Valid Data In	TRLDV	-	4(g)	f = 30MHz $V_{DD} = 4.5V$ and $5.5V$, $V_{SS} = 0V$ Note 7 (Pins D 17 to (32 to 39)) (Pins J 13 to (30 to 37)) (Pins C 19 to (36 to 43))	135	-	ns
344 to 345	ALE to Valid Data In	TLLDV	-	4(g)	f = 30MHz $V_{DD} = 4.5V$ and $5.5V$, $V_{SS} = 0V$ Note 7 (Pins D 30 to (32 to 39)) (Pins J 27 to (30 to 37)) (Pins C 33 to (36 to 43))	235	-	ns
346 to 347	ALE to $\overline{\text{WR}}$	TLLWL	-	4(g)	f = 30MHz $V_{DD} = 4.5V$ and $5.5V$, $V_{SS} = 0V$ Note 7 (Pins D 30 to 16) (Pins J 27 to 12) (Pins C 33 to 18)	90	115	ns
348 to 349	Address to $\overline{\text{WR}}$	TAVWL	-	4(g)	f = 30MHz $V_{DD} = 4.5V$ and $5.5V$, $V_{SS} = 0V$ Note 7 (Pins D (32 to 39) to 16) (Pins J (30 to 37) to 12) (Pins C (36 to 43) to 18)	115	-	ns
350 to 351	Address to $\overline{\text{RD}}$	TAVRL	-	4(g)	f = 30MHz $V_{DD} = 4.5V$ and $5.5V$, $V_{SS} = 0V$ Note 7 (Pins D (32 to 39) to 17) (Pins J (30 to 37) to 13) (Pins C (36 to 43) to 19)	115	-	ns

NOTES: See Page 49.

**TABLE 3 - ELECTRICAL MEASUREMENTS AT HIGH AND LOW TEMPERATURES -
a.c. PARAMETERS (CONT'D)**

No.	CHARACTERISTICS	SYMBOL	TEST METHOD MIL-STD 883	TEST FIG.	TEST CONDITIONS (PINS UNDER TEST D = D.I.L., J = JLCC, C = LCC)	LIMITS		UNIT
						MIN	MAX	
352 to 353	ALE to $\overline{\text{PSEN}}$	TLLPL	-	4(g)	f = 30MHz $V_{DD} = 4.5V$ and $5.5V$, $V_{SS} = 0V$ Note 2 (Pins D 30 to 29) (Pins J 27 to 26) (Pins C 33 to 32)	25	-	ns
354 to 355	$\overline{\text{PSEN}}$ Pulse Width	TPLPH	-	4(g)	f = 30MHz $V_{DD} = 4.5V$ and $5.5V$, $V_{SS} = 0V$ Note 2 (Pin D 29) (Pin J 26) (Pin C 32)	80	-	ns
356 to 357	$\overline{\text{PSEN}}$ to In Instr. Hold	TPXIX	-	4(g)	f = 30MHz $V_{DD} = 4.5V$ and $5.5V$, $V_{SS} = 0V$ Note 2 (Pins D 29 to (32 to 39)) (Pins J 26 to (30 to 37)) (Pins C 32 to (36 to 43))	-	0	ns
358 to 359	$\overline{\text{PSEN}}$ to Address Valid	TPXAV	-	4(g)	f = 30MHz $V_{DD} = 4.5V$ and $5.5V$, $V_{SS} = 0V$ Note 2 (Pins D 29 to (21 to 28)) (Pins J 26 to (18 to 25)) (Pins C 32 to (26 to 31))	30	-	ns
360 to 361	$\overline{\text{RD}}$ Pulse Width	TRLRH	-	4(g)	f = 30MHz $V_{DD} = 4.5V$ and $5.5V$, $V_{SS} = 0V$ Note 2 (Pin D 17) (Pin J 13) (Pin C 19)	180	-	ns
362 to 363	$\overline{\text{WR}}$ Pulse Width	TWLWH	-	4(g)	f = 30MHz $V_{DD} = 4.5V$ and $5.5V$, $V_{SS} = 0V$ Note 2 (Pin D 16) (Pin J 12) (Pin C 18)	180	-	ns
364 to 365	ALE to Data Address Hold	TLLAXR	-	4(g)	f = 30MHz $V_{DD} = 4.5V$ and $5.5V$, $V_{SS} = 0V$ Note 2 (Pins D 30 to (32 to 39)) (Pins J 27 to (30 to 37)) (Pins C 33 to (36 to 43))	55	-	ns

NOTES: See Page 49.



**TABLE 3 - ELECTRICAL MEASUREMENTS AT HIGH AND LOW TEMPERATURES -
a.c. PARAMETERS (CONT'D)**

No.	CHARACTERISTICS	SYMBOL	TEST METHOD MIL-STD 883	TEST FIG.	TEST CONDITIONS (PINS UNDER TEST D = D.I.L., J = JLCC, C = LCC)	LIMITS		UNIT
						MIN	MAX	
366 to 367	\overline{RD} to Data Hold	TRHDX	-	4(g)	f = 30MHz V _{DD} = 4.5V and 5.5V, V _{SS} = 0V Note 2 (Pins D 17 to (32 to 39)) (Pins J 13 to (30 to 37)) (Pins C 19 to (36 to 43))	-	0	ns
368 to 369	\overline{RD} to Data Float	TRHDZ	-	4(g)	f = 30MHz V _{DD} = 4.5V and 5.5V, V _{SS} = 0V Note 2 (Pins D 17 to (32 to 39)) (Pins J 13 to (30 to 37)) (Pins C 19 to (36 to 43))	60	-	ns
370 to 371	Address to Valid Data In	TAVDV	-	4(g)	f = 30MHz V _{DD} = 4.5V and 5.5V, V _{SS} = 0V Note 2 (Pins D (21 to 28) to (32 to 39)) (Pins J (18 to 25) to (30 to 37)) (Pins C (24 to 31) to (36 to 43))	260	-	ns
372 to 373	ALE to \overline{RD}	TLLRL	-	4(g)	f = 30MHz V _{DD} = 4.5V and 5.5V, V _{SS} = 0V Note 2 (Pins D 30 to 17) (Pins J 27 to 13) (Pins C 33 to 19)	90	115	ns
374 to 375	Data Valid to \overline{WR}	TQVWX	-	4(g)	f = 30MHz V _{DD} = 4.5V and 5.5V, V _{SS} = 0V Note 2 (Pins D (32 to 39) to 16) (Pins J (30 to 37) to 12) (Pins C (36 to 43) to 18)	20	-	ns
376 to 377	Data Setup to \overline{WR} High	TQVWH	-	4(g)	f = 30MHz V _{DD} = 4.5V and 5.5V, V _{SS} = 0V Note 2 (Pins D (32 to 39) to 16) (Pins J (30 to 37) to 12) (Pins C (36 to 43) to 18)	215	-	ns
378 to 379	\overline{WR} to Data Hold	TWHQX	-	4(g)	f = 30MHz V _{DD} = 4.5V and 5.5V, V _{SS} = 0V Note 2 (Pins D 16 to (32 to 39)) (Pins J 12 to (30 to 37)) (Pins C 18 to (36 to 43))	20	-	ns

NOTES: See Page 49.



**TABLE 3 - ELECTRICAL MEASUREMENTS AT HIGH AND LOW TEMPERATURES -
a.c. PARAMETERS (CONT'D)**

No.	CHARACTERISTICS	SYMBOL	TEST METHOD MIL-STD 883	TEST FIG.	TEST CONDITIONS (PINS UNDER TEST D = D.I.L., J = JLCC, C = LCC)	LIMITS		UNIT
						MIN	MAX	
380 to 381	\overline{RD} Low to Address Float	TRLAZ	-	4(g)	f = 30MHz $V_{DD} = 4.5V$ and $5.5V$, $V_{SS} = 0V$ Note 2 (Pins D 17 to (32 to 39)) (Pins J 13 to (30 to 37)) (Pins C 19 to (36 to 43))	-	0	ns
382 to 383	\overline{WR} High to ALE High	TWHLH	-	4(g)	f = 30MHz $V_{DD} = 4.5V$ and $5.5V$, $V_{SS} = 0V$ Note 2 (Pins D 16 to 30) (Pins J 12 to 27) (Pins C 18 to 33)	20	40	ns
384 to 385	\overline{RD} High to ALE High	TRHLH	-	4(g)	f = 30MHz $V_{DD} = 4.5V$ and $5.5V$, $V_{SS} = 0V$ Note 2 (Pins D 17 to 30) (Pins J 13 to 27) (Pins C 19 to 33)	20	40	ns
386 to 387	Serial Port Clock Cycle Time	TXLXL	-	4(g)	f = 30MHz $V_{DD} = 4.5V$ and $5.5V$, $V_{SS} = 0V$ Note 2	400	-	ns
388 to 389	Out Data Setup to Clock	TQVXH	-	4(g)	f = 30MHz $V_{DD} = 4.5V$ and $5.5V$, $V_{SS} = 0V$ Note 2	300	-	ns
390 to 391	Clock to Out Data Hold	TXHQX	-	4(g)	f = 30MHz $V_{DD} = 4.5V$ and $5.5V$, $V_{SS} = 0V$ Note 2	50	-	ns
392 to 393	Clock to In Data Hold	TXHDX	-	4(g)	f = 30MHz $V_{DD} = 4.5V$ and $5.5V$, $V_{SS} = 0V$ Note 2	-	0	ns
394 to 395	Clock High to In Data Valid	TXHDV	-	4(g)	f = 30MHz $V_{DD} = 4.5V$ and $5.5V$, $V_{SS} = 0V$ Note 2	300	-	ns

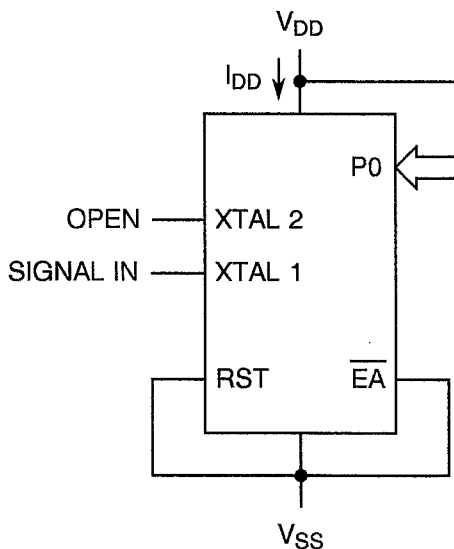
NOTES: See Page 49.



FIGURE 4 - CIRCUITS FOR ELECTRICAL MEASUREMENTS

FIGURE 4(a) - SUPPLY CURRENT

FIGURE 4(a)(i) - QUIESCENT CURRENT

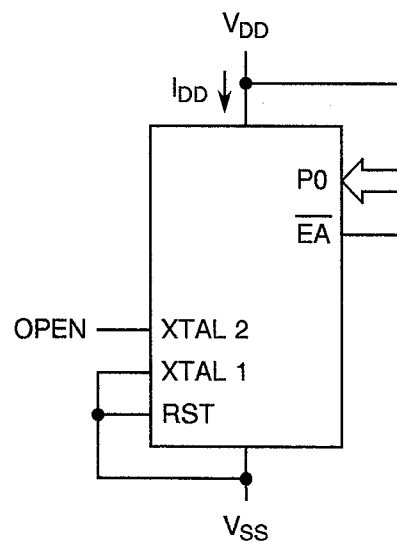
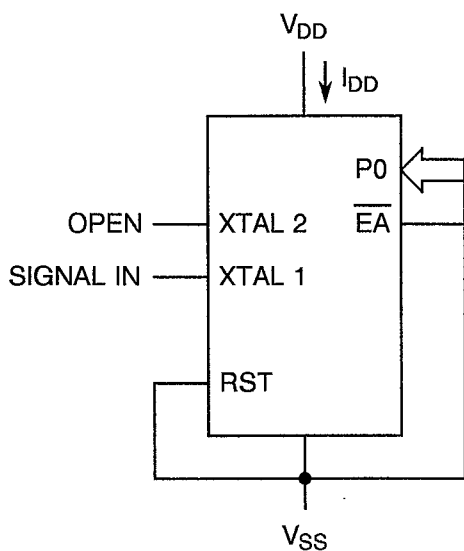


NOTES

- 1. All remaining pins open.

FIGURE 4(a)(ii) - ACTIVE CURRENT

FIGURE 4(a)(iii) - POWER DOWN CURRENT



NOTES

- 1. All remaining pins open.

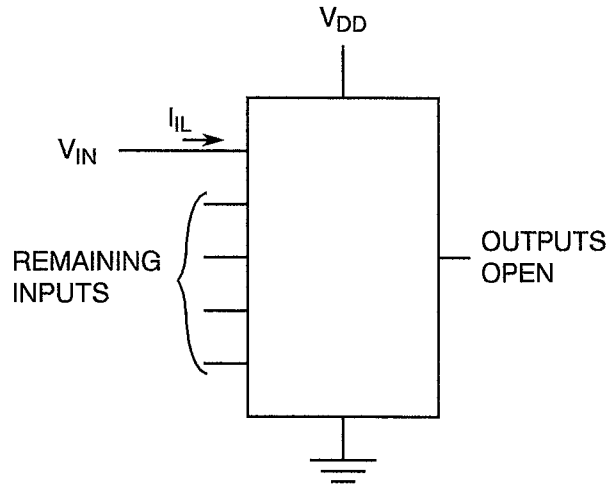
NOTES

- 1. All remaining pins open.



FIGURE 4 - CIRCUITS FOR ELECTRICAL MEASUREMENTS (CONTINUED)

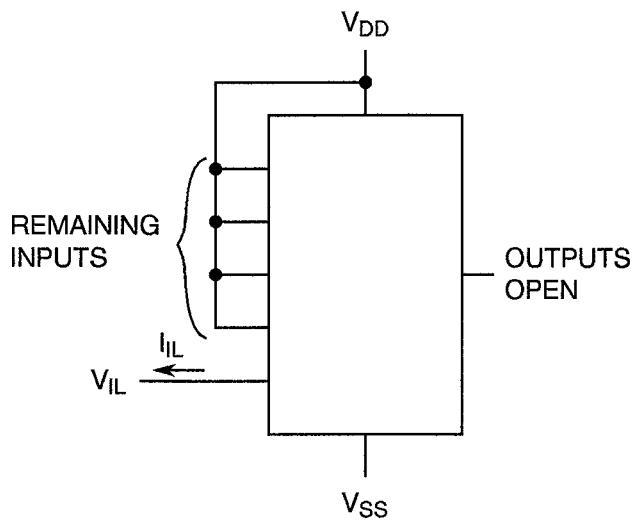
FIGURE 4(b) - INPUT LEAKAGE CURRENT



NOTES

1. Each input to be tested separately.

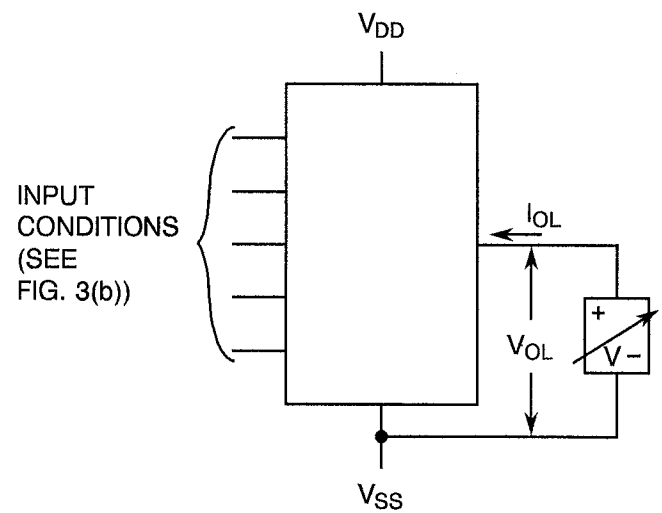
FIGURE 4(c) - INPUT CURRENT LOW LEVEL



NOTES

1. Each input to be tested separately.

FIGURE 4(d) - OUTPUT VOLTAGE LOW LEVEL



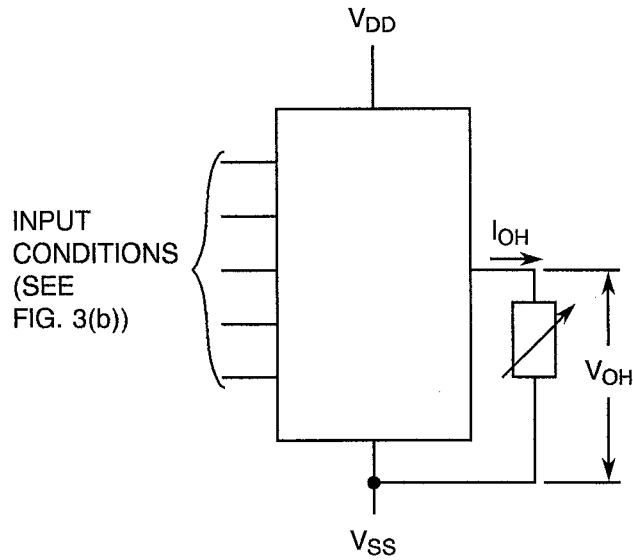
NOTES

1. Each output to be tested separately.



FIGURE 4 - CIRCUITS FOR ELECTRICAL MEASUREMENTS (CONTINUED)

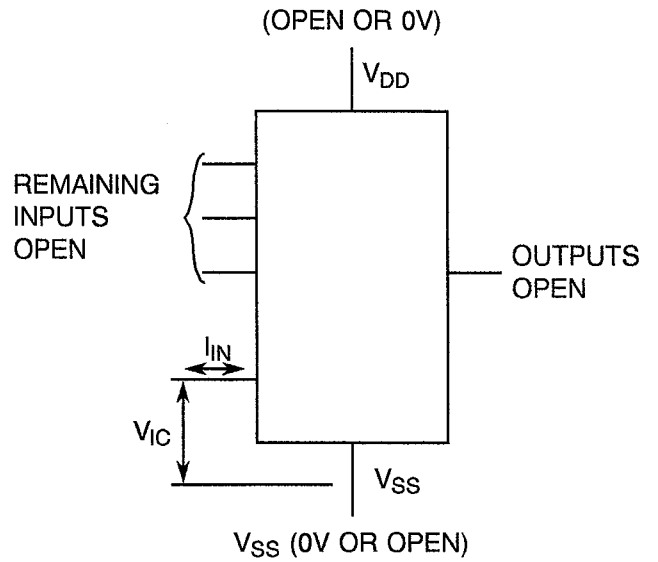
FIGURE 4(e) - OUTPUT VOLTAGE HIGH LEVEL



NOTES

1. Each output to be tested separately.

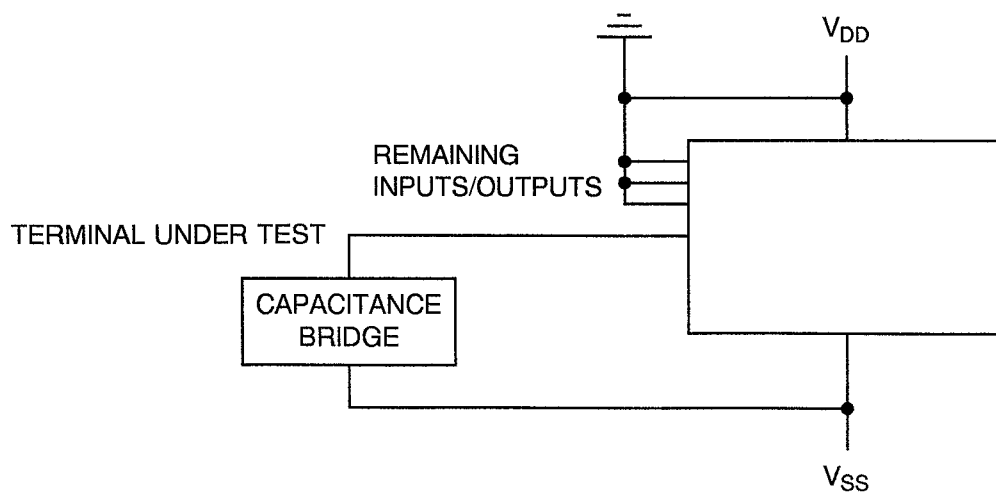
FIGURE 4(f) - INPUT CLAMP VOLTAGE



NOTES

1. Each input to be tested separately.

FIGURE 4(g) - INPUT AND OUTPUT CAPACITANCE



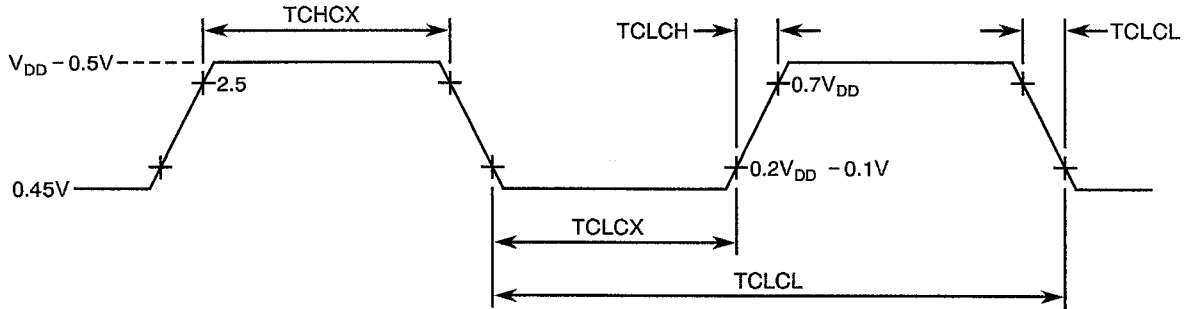
NOTES

1. Test frequency = 1.0MHz.
2. Each input and output is to be tested separately.



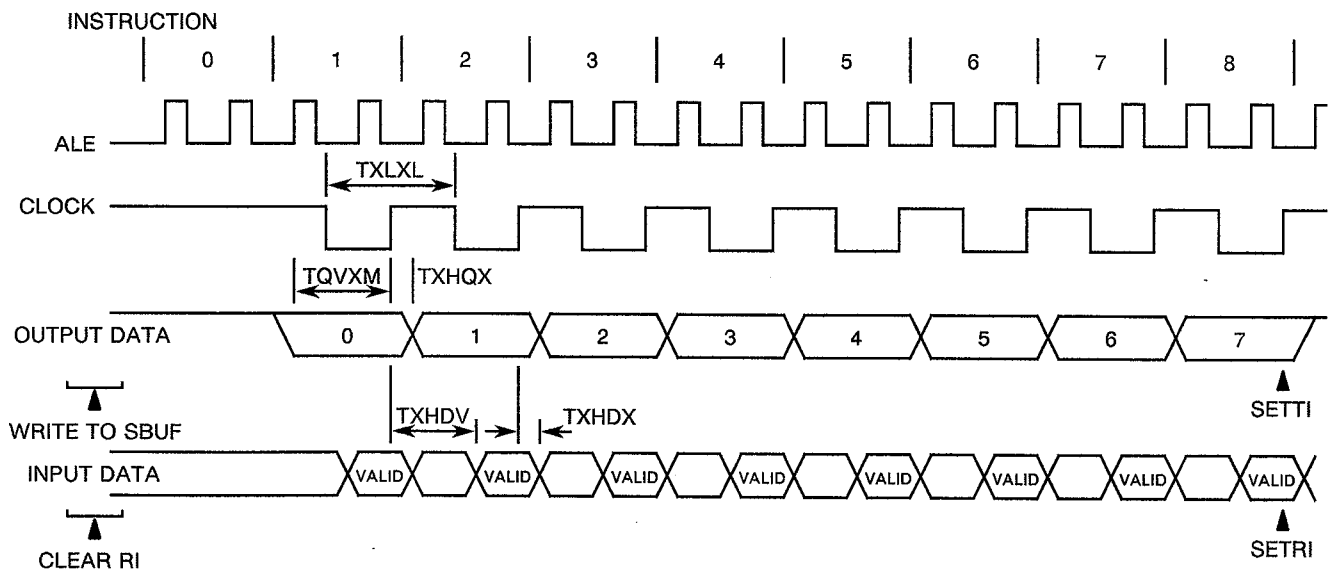
FIGURE 4 - CIRCUITS FOR ELECTRICAL MEASUREMENTS (CONTINUED)

EXTERNAL CLOCK WAVEFORMS



SHIFT REGISTER TIMING WAVEFORMS

SYMBOL	PARAMETER	MIN.	MAX.	UNIT
TXLXL	Serial Port Clock Time	$12TCLCL$	-	μs
TQVXH	Output Data Setup to Clock Rising Edge	$10TCLCL-133$	-	ns
TXHQX	Output Data Hold After Clock Rising Edge	$2TCLCL-117$	-	ns
TXHDX	Input Data Hold After Clock Rising Edge	0	-	ns
TXHDV	Clock Rising Edge to Input Data Valid	-	$10TCLCL-133$	ns



**TABLE 4 - PARAMETER DRIFT VALUES**

No.	CHARACTERISTICS	SYMBOL	SPEC. AND/OR TEST METHOD	TEST CONDITIONS	CHANGE LIMITS (Δ)	UNIT
10	Supply Current	$I_{DD(S)}$	As per Table 2	As per Table 2	± 5.0	mA
12	Power Down Supply Current 2	$I_{DD(PD2)}$	As per Table 2	As per Table 2	± 7.5	μA
13 to 20	Input Leakage Current Low Level 1	I_{IL1}	As per Table 2	As per Table 2	± 1.0	μA
21	Input Leakage Current Low Level 2	I_{IL2}	As per Table 2	As per Table 2	± 1.0	μA
22 to 29	Input Leakage Current High Level 1	I_{IH1}	As per Table 2	As per Table 2	± 1.0	μA
30	Input Leakage Current High Level 2	I_{IH2}	As per Table 2	As per Table 2	± 1.0	μA
31 to 54	Input Current Low Level	I_{IL}	As per Table 2	As per Table 2	± 7.5	μA
55 to 78	High to Low Transition Current	I_{IT}	As per Table 2	As per Table 2	± 75	μA
79 to 86	Output Voltage Low Level 1	V_{OL1}	As per Table 2	As per Table 2	± 0.04	V
87 to 110	Output Voltage Low Level 2	V_{OL2}	As per Table 2	As per Table 2	± 0.04	V
111 to 112	Output Voltage Low Level 3	V_{OL3}	As per Table 2	As per Table 2	± 0.04	V
113 to 120	Output Voltage High Level 1	V_{OH1}	As per Table 2	As per Table 2	± 0.2	V
121 to 144	Output Voltage High Level 2	V_{OH2}	As per Table 2	As per Table 2	± 0.2	V
209 to 210	Output Voltage High Level 7	V_{OH7}	As per Table 2	As per Table 2	± 0.2	V

**TABLE 5 - CONDITIONS FOR POWER BURN-IN AND OPERATING LIFE TESTS**

No.	CHARACTERISTICS	SYMBOL	CONDITION	UNIT
1	Ambient Temperature	T_{amb}	+125(+0-5)	°C
2	Outputs - (Pins1-2-3-4-5-6-7-8-10-11-12-13-14-15-16-17-21-22-23-24-25-26-27-28-29-30-32-33-34-35-36-37-38-39)	V_{OUT}	Parallel connected	-
3	Input - (Pin 18)	V_{IN}	V_{SS}	V
4	Inputs - (Pin 19)	V_{IN}	V_{GEN1}	Vac
5	Input - (Pin 9)	V_{IN}	V_{GEN2}	Vac
6	Pulse Voltage	V_{GEN}	0V to V_{DD}	Vac
7	Pulse Frequency Square Wave	f GEN1	400k ± 20% 50% Duty Cycle	Hz
8	Pulse Square Wave	GEN2	One 60µs positive pulse each 265µs	
9	Positive Supply Voltage (Pin 40)	V_{DD}	+5.5(+0-0.5)	V
10	Negative Supply Voltage (Pin 20)	V_{SS}	0	V

NOTES

1. Input Protection Resistor = Output Load = 1.0kΩ.

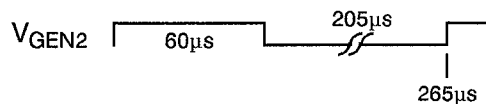
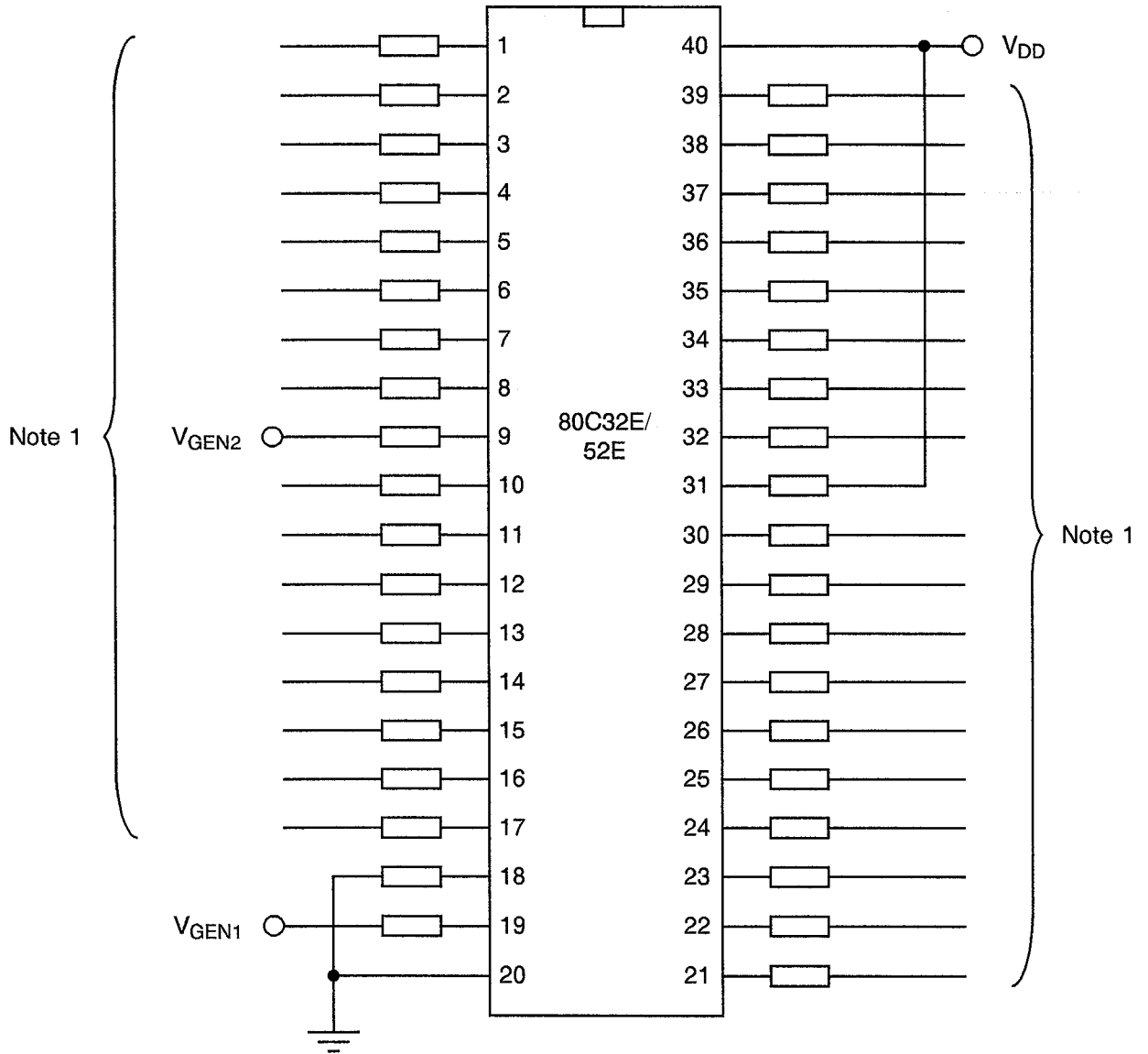
2. V_{GEN1} 



FIGURE 5 - ELECTRICAL CIRCUIT FOR POWER BURN-IN AND OPERATING LIFE TESTS



NOTES

1. D.U.T. pins are connected to their equivalent pins on each device by a bus common to all devices through individual 1.0kΩ resistors.



4.8 ENVIRONMENTAL AND ENDURANCE TESTS (CHARTS IV AND V OF ESA/SCC GENERIC SPECIFICATION No. 9000)

4.8.1 Electrical Measurements on Completion of Environmental Tests

The parameters to be measured on completion of environmental tests are scheduled in Table 6. Unless otherwise stated, the measurements shall be performed at $T_{amb} = +22 \pm 3$ °C.

4.8.2 Electrical Measurements at Intermediate Points during Endurance Tests

The parameters to be measured at intermediate points during endurance testing are as scheduled in Table 6 of this specification. Unless otherwise stated, the measurements shall be performed at $T_{amb} = +22 \pm 3$ °C.

4.8.3 Electrical Measurements on Completion of Endurance Tests

The parameters to be measured on completion of endurance testing are as scheduled in Table 6 of this specification. Unless otherwise stated, the measurements shall be performed at $T_{amb} = +22 \pm 3$ °C.

4.8.4 Conditions for Operating Life Tests

The requirements for operating life testing are specified in Section 9 of ESA/SCC Generic Specification No. 9000. The conditions for operating life testing shall be as specified in Table 5(b) of this specification.

4.8.5 Electrical Circuits for Operating Life Tests

Circuits for use in performing the operating life tests are shown in Figure 5(b) of this specification.

4.8.6 Conditions for High Temperature Storage Test

The requirements for the high temperature storage test are specified in ESA/SCC Generic Specification No. 9000. The temperature to be applied shall be the maximum storage temperature specified in Table 1(b) of this specification.

4.9 TOTAL DOSE IRRADIATION TESTING

4.9.1 Application

If specified in Para. 4.2.1 of this specification, total dose irradiation testing shall be performed in accordance with the requirements of ESA/SCC Basic Specification No. 22900.

4.9.2 Bias Conditions

Continuous bias shall be applied during irradiation testing as shown in Figure 6 of this specification.

4.9.3 Electrical Measurements

The parameters to be measured prior to irradiation exposure are scheduled in Table 2 of this specification. Only devices which meet the requirements of Table 2 shall be included in the test sample.

The parameters to be measured during and on completion of irradiation testing are scheduled in Table 7 of this specification.



TABLE 6 - ELECTRICAL MEASUREMENTS ON COMPLETION OF ENVIRONMENTAL TESTS AND AT INTERMEDIATE POINTS AND ON COMPLETION OF ENDURANCE TESTING

No.	CHARACTERISTICS	SYMBOL	SPEC. AND/OR TEST METHOD	TEST CONDITIONS	LIMITS		UNIT
					MIN	MAX	
1	Functional Test 1	-	As per Table 2	As per Table 2	-	-	-
2	Functional Test 2	-	As per Table 2	As per Table 2	-	-	-
3	Functional Test 3	-	As per Table 2	As per Table 2	-	-	-
4	Functional Test 4	-	As per Table 2	As per Table 2	-	-	-
5	Functional Test 5	-	As per Table 2	As per Table 2	-	-	-
6	Functional Test 6	-	As per Table 2	As per Table 2	-	-	-
7	Functional Test 7	-	As per Table 2	As per Table 2	-	-	-
8	Functional Test 8	-	As per Table 2	As per Table 2	-	-	-
9	Quiescent Current	I_{DD}	As per Table 2	As per Table 2	-	15	mA
10	Supply Current	$I_{DD(S)}$	As per Table 2	As per Table 2	-	50	mA
12	Power Down Supply Current 2	$I_{DD(PD2)}$	As per Table 2	As per Table 2	-	75	μ A
13 to 20	Input Leakage Current Low Level 1	I_{IL1}	As per Table 2	As per Table 2	-10	10	μ A
21	Input Leakage Current Low Level 2	I_{IL2}	As per Table 2	As per Table 2	-10	10	μ A
22 to 29	Input Leakage Current High Level 1	I_{IH1}	As per Table 2	As per Table 2	-10	10	μ A
30	Input Leakage Current High Level 2	I_{IH2}	As per Table 2	As per Table 2	-10	10	μ A
31 to 54	Input Current Low Level	I_{IL}	As per Table 2	As per Table 2	-75	-	μ A
55 to 78	High to Low Transition Current	I_{IT}	As per Table 2	As per Table 2	-750	-	μ A
79 to 86	Output Voltage Low Level 1	V_{OL1}	As per Table 2	As per Table 2	-	0.45	V
87 to 110	Output Voltage Low Level 2	V_{OL2}	As per Table 2	As per Table 2	-	0.45	V
111 to 112	Output Voltage Low Level 3	V_{OL3}	As per Table 2	As per Table 2	-	0.45	V

**TABLE 6 - ELECTRICAL MEASUREMENTS ON COMPLETION OF ENVIRONMENTAL TESTS AND AT INTERMEDIATE POINTS AND ON COMPLETION OF ENDURANCE TESTING (CONT'D)**

No.	CHARACTERISTICS	SYMBOL	SPEC. AND/OR TEST METHOD	TEST CONDITIONS	LIMITS		UNIT
					MIN	MAX	
113 to 120	Output Voltage High Level 1	V _{OH1}	As per Table 2	As per Table 2	2.4	-	V
121 to 144	Output Voltage High Level 2	V _{OH2}	As per Table 2	As per Table 2	2.4	-	V
209 to 210	Output Voltage High Level 7	V _{OH7}	As per Table 2	As per Table 2	2.4	-	V
291	Reset Resistor	RRST	As per Table 2	As per Table 2	50	200	kΩ
330 to 331	ALE Pulse Width	TLHLL	As per Table 2	As per Table 2	60	-	ns
332 to 333	Address Valid to ALE	TAVLL	As per Table 2	As per Table 2	15	-	ns
334 to 335	Address Hold to ALE	TLLAX	As per Table 2	As per Table 2	35	-	ns
336 to 337	ALE to Valid Inst. In	TLLIV	As per Table 2	As per Table 2	100	-	ns
338 to 339	$\overline{\text{PSEN}}$ to Valid Inst. In	TPLIV	As per Table 2	As per Table 2	65	-	ns
340 to 341	Address to Valid Inst. In	TAVIV	As per Table 2	As per Table 2	130	-	ns
342 to 343	$\overline{\text{RD}}$ to Valid Data In	TRLDV	As per Table 2	As per Table 2	135	-	ns
344 to 345	ALE to Valid Data In	TLLDV	As per Table 2	As per Table 2	235	-	ns
346 to 347	ALE to $\overline{\text{WR}}$	TLLWL	As per Table 2	As per Table 2	90	115	ns
348 to 349	Address to $\overline{\text{WR}}$	TAVWL	As per Table 2	As per Table 2	115	-	ns

**ESCA**ESA/SCC Detail Specification
No. 9521/002

PAGE 73

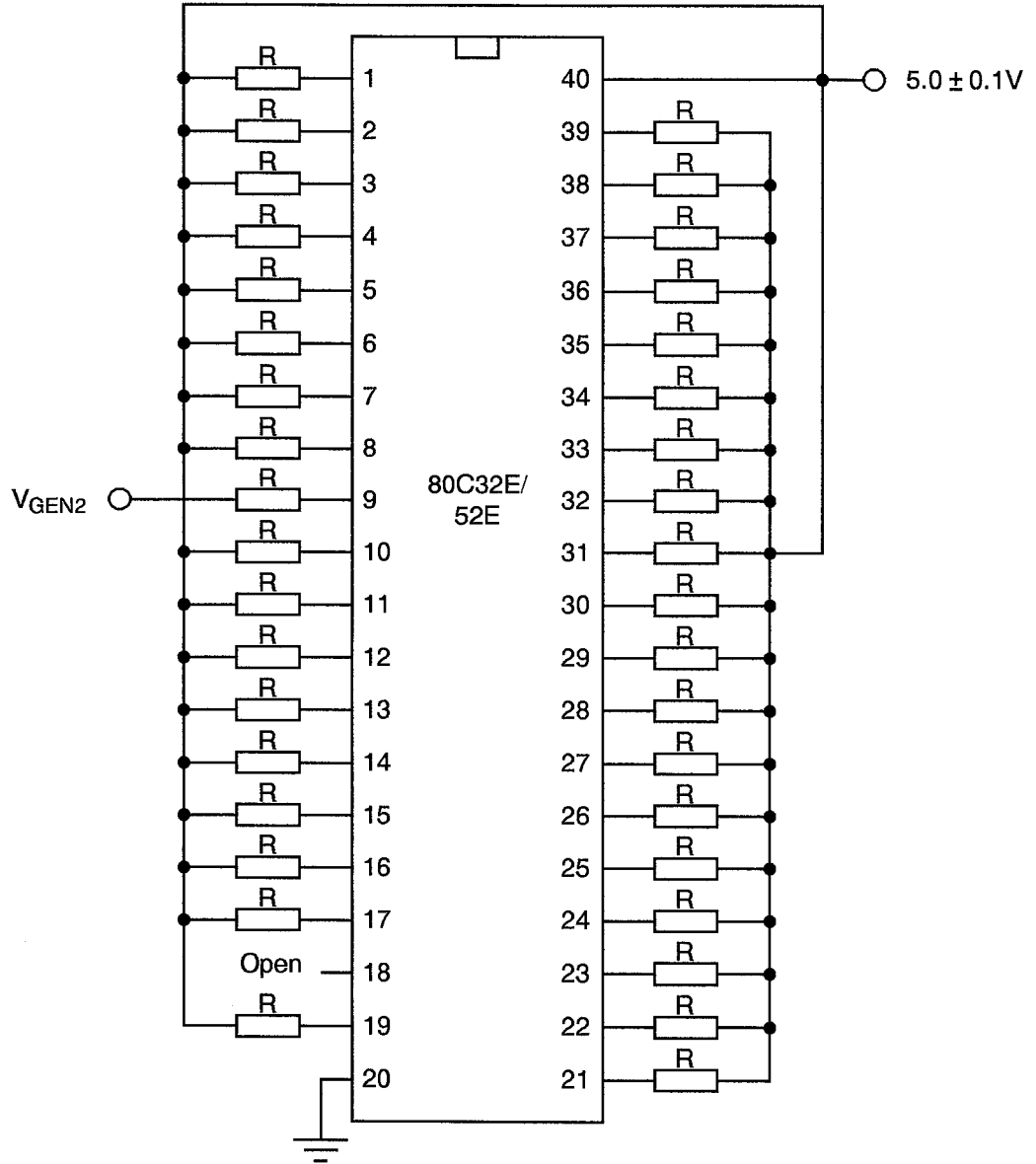
ISSUE 1

TABLE 6 - ELECTRICAL MEASUREMENTS ON COMPLETION OF ENVIRONMENTAL TESTS AND AT INTERMEDIATE POINTS AND ON COMPLETION OF ENDURANCE TESTING (CONT'D)

No.	CHARACTERISTICS	SYMBOL	SPEC. AND/OR TEST METHOD	TEST CONDITIONS	LIMITS		UNIT
					MIN	MAX	
350 to 351	Address to \overline{RD}	TAVRL	As per Table 2	As per Table 2	115	-	ns



FIGURE 6 - BIAS CONDITIONS FOR IRRADIATION TESTING



NOTES

1. R = Input/Output Protection Resistor = $1.0k\Omega$.

**TABLE 7 - ELECTRICAL MEASUREMENTS DURING AND ON COMPLETION OF IRRADIATION TESTING**

No.	CHARACTERISTICS	SYMBOL	SPEC. AND/OR TEST METHOD	TEST CONDITIONS	LIMITS		UNIT
					MIN	MAX	
9	Quiescent Current	I_{DD}	As per Table 2	As per Table 2	-	100	mA
10	Supply Current	$I_{DD(S)}$	As per Table 2	As per Table 2	-	100	mA
12	Power Down Supply Current 2	$I_{DD(PD2)}$	As per Table 2	As per Table 2	-	15.0	mA
13 to 20	Input Leakage Current Low Level 1	I_{IL1}	As per Table 2	As per Table 2	-10	10	μ A
21	Input Leakage Current Low Level 2	I_{IL2}	As per Table 2	As per Table 2	-10	10	μ A
22 to 29	Input Leakage Current High Level 1	I_{IH1}	As per Table 2	As per Table 2	-10	10	μ A
30	Input Leakage Current High Level 2	I_{IH2}	As per Table 2	As per Table 2	-10	10	μ A
31 to 54	Input Current Low Level	I_{IL}	As per Table 2	As per Table 2	-75	-	μ A
55 to 78	High to Low Transition Current	I_{IT}	As per Table 2	As per Table 2	-750	-	μ A
79 to 86	Output Voltage Low Level 1	V_{OL1}	As per Table 2	As per Table 2	-	0.45	V
87 to 110	Output Voltage Low Level 2	V_{OL2}	As per Table 2	As per Table 2	-	0.45	V
111 to 112	Output Voltage Low Level 3	V_{OL3}	As per Table 2	As per Table 2	-	0.45	V
113 to 120	Output Voltage High Level 1	V_{OH1}	As per Table 2	As per Table 2	2.4	-	V
121 to 144	Output Voltage High Level 2	V_{OH2}	As per Table 2	As per Table 2	2.4	-	V
209 to 210	Output Voltage High Level 7	V_{OH7}	As per Table 2	As per Table 2	2.4	-	V