



**INTEGRATED CIRCUITS, SILICON MONOLITHIC,  
CMOS ANALOGUE MULTIPLEXER/DEMULTIPLEXER,  
BASED ON TYPE 4067B**

**ESCC Detail Specification No. 9408/009**

**ISSUE 1  
October 2002**



	ESCC Detail Specification		PAGE ii ISSUE 1
--	---------------------------	--	--------------------

### **LEGAL DISCLAIMER AND COPYRIGHT**

European Space Agency, Copyright © 2002. All rights reserved.

The European Space Agency disclaims any liability or responsibility, to any person or entity, with respect to any loss or damage caused, or alleged to be caused, directly or indirectly by the use and application of this ESCC publication.

This publication, without the prior permission of the European Space Agency and provided that it is not used for a commercial purpose, may be:

- copied in whole in any medium without alteration or modification.
- copied in part, in any medium, provided that the ESCC document identification, comprising the ESCC symbol, document number and document issue, is removed.



europaean space agency  
agence spatiale européenne

Pages 1 to 61

**INTEGRATED CIRCUITS, SILICON MONOLITHIC,  
CMOS ANALOGUE MULTIPLEXER/DEMULTIPLEXER,  
BASED ON TYPE 4067B**

**ESA/SCC Detail Specification No. 9408/009**



**space components  
coordination group**

Issue/Rev.	Date	Approved by	
		SCCG Chairman	ESA Director General or his Deputy
Issue 2	March 1991		
Revision 'A'	March 1992		
Revision 'B'	October 1994		
Revision 'C'	April 2001		


**DOCUMENTATION CHANGE NOTICE**

Rev. Letter	Rev. Date	Reference	CHANGE Item	Approved DCR No.
		This Issue supersedes Issue 1 and incorporates all modifications defined in Revisions 'A' and 'B' to Issue 1 and the following DCR's:-		
		Cover Page		None
		DCN		None
		Para. 1.1	: "having fully buffered outputs" added to 1st sentence	23442
		Para. 1.10	: Last sentence rewritten to include ESD Class and Minimum Critical Path Failure Voltage	23385
		Table 1(a)	: Table amended	22398
		Table 1(b)	: No. 9, package soldering temperatures changed	22314
			: Notes - New Note 7 added	22314
			- Previous Note 7 renumbered "8" and corrected	23442
		Figure 2(a)	: Table corrected	23247/ 23270
		Figure 2(b)	: "CKT A" deleted from Title	22398
		Figure 2(c)	: Deleted in toto	22398
		Figure 2(d)	: Title amended to "2(c)"	22398
			: Table corrected	23247
		Notes to Figures	: In Title and Note 1, 2(d) amended to "2(c)"	22398
		Figure 3(a)	: DIL and FP outline rationalised	23442
		Figure 3(b)	: Column heading rationalised	23442
			: Inputs columns reversed	23442
			: In Outputs column "Y" and "-Z" deleted	23442
		Figure 3(c)	: Circuit 'A' drawing added from Figure 3(d) Circuit 'A'	23442
			: Circuit 'A' heading and Circuit 'B' entry deleted	22398
		Figure 3(d)	: Circuit 'A' drawing transferred to Figure 3(c) Circuit 'A'	23442
			: Circuit 'A' heading, Circuit 'B' entry and Circuits 'A' and 'B' headings deleted	22398
		Figure 3(e)	: Circuit 'A' heading and Circuit 'B' heading and drawing deleted	22398
		Para. 2	: Document "(c)" deleted	21025
		Para. 4.4.2	: PIND Test and Conditions added	22360
		Para. 4.5.2	: Third sentence amended to read "...2(c)"	22398
		Tables 2, 3(a), (b)	: Wherever applicable in Conditions column, ( $\bar{E}$ ), (Y), (Z) replaced by "(Inhibit), (Channel I/O) and (Common O/I)" respectively	23442
			: Nos. 29 to 44 and 45 to 60, Pins reversed	23442
			: Nos. 61 and 62, in Limits column, Circuit 'A' reference and Circuit 'B' reference and value deleted	23442
			: Nos. 63 to 286 and 287 to 542, in Conditions " $R_L = 10k\Omega$ " added	23442
			: No. 543, in Conditions column $V_{IH}$ corrected to "5Vdc"	23442
			: Nos. 543 and 544, Note number changed to "5" and all subsequent Note entries incremented by 1	23442
		Table 2	: Nos. 547 to 551, Limits column amended	22398
			: Nos. 552 to 556, "Circuit A" deleted from first measurement and "Circuit B" entry deleted in toto	22398
			: Nos. 562 to 577, 578, 579, 580, 583, in Limits column, Circuit 'A' reference and Circuit 'B' reference and value deleted	23442

**DOCUMENTATION CHANGE NOTICE**

Rev. Letter	Rev. Date	Reference	CHANGE Item	Approved DCR No.
			: Nos. 579, 580, Figure number changed to "4(p)" and in Conditions " $R_L = 10k\Omega$ " added	23442
			: Nos. 581, 584, Figure number changed to "4(q)" and in Conditions " $V_{IL} = .0Vdc$ , $V_{IH} = 5Vdc$ and $R_L = 200k\Omega$ " added	23442
			: Nos. 582, 583, Figure number changed to "4(p)" and in Conditions " $R_L = 300\Omega$ " added	23442
			: No. 584, in Conditions, " $V_{IN}$ (All other Channels) = 0Vdc" added	23442
		Tables 3(a), (b)	: No. 544, in Conditions, " $V_{DD} = 15Vdc$ , $V_{SS} = 0Vdc$ " added	23442
		Table 3(b)	: Nos. 287 to 542, $V_{IH}$ and $V_{DD}$ corrected to "15Vdc"	23442
		Figure 4(a)	: Note 2 corrected.	23442
		Figure 4(b)	: In Note 3, "Ground" corrected to " $V_{SS}$ "	23442
		Figures 4(c), (d)	: In Note 2, "Ground" corrected to " $V_{SS}$ "	23442
		Figure 4(e), (f)	: Figures corrected	23442
		Figure 4(g), (i)	: Figures rationalised	23442
		Figure 4(g) (ii), (iii)	: Note 1 standardised	23442
		Figure 4(h)	: Figures rationalised	23442
		Figure 4(i), (j)	: Figure corrected	23442
		Figure 4(l)	: Input Conditions specified	23442
			: Circuit 'A' heading and Circuit 'B' heading and drawing deleted	22398
		Figure 4(n), (o)	: Figures rationalised	23442
		Figure 4(p)	: Figure deleted	23442
		Figure 4(q)	: Figure renumbered to "4(p)"	23442
		Figure 4(r)	: Figure renumbered to "4(q)"	23442
		Figures 4(s), (t)	: Figures deleted	23442
		Tables 5(a), (b)	: Titles amended	23162
		Table 5(c)	: Nos. 2 and 3, Symbols corrected	23422
		Figure 5(a)	: Title amended	23162
			: Resistors added to each input at $V_{DD}$	23442
		Figure 5(b)	: Title amended	23162
			: Resistors added to each input at $V_{SS}$	23442
		Figure 5(c)	: Resistors added to each input at $V_{DD}$ and $V_{GEN}$	23442
			: Pin 15 disconnected from Ground and connected to Binary counter	23442
			: On Binary Counter, "C" and "D" connections reversed	23442
		Paras. 4.8.4 and 4.8.5	: Reference to Table and Figure amended to "5(c)"	23442
		Table 6	: Nos. 61 and 62, in Limits column, Circuit 'A' reference and Circuit 'B' reference and value deleted	23442
'A'	March'92	P1. Cover page		None
		P2A. DCN		None
		P6. Table 1(a)	: Lead Material and/or Finish amended	23465
		P15. Para. 4.2.2	: Deviation deleted, "None" added	21048
		Para. 4.2.4	: Deviation deleted, "None" added	22919
		P16. Para. 4.2.5	: Deviation deleted, "None" added	22919
		Para. 4.4.2	: Material Type and Finishes amended	23465



 <b>SCC</b>	ESA/SCC Detail Specification No. 9408/009		PAGE 3 ISSUE 2
---	--	--	-------------------

## TABLE OF CONTENTS

		<u>Page</u>
1.	<b><u>GENERAL</u></b>	<b>5</b>
1.1	Scope	5
1.2	Component Type Variants	5
1.3	Maximum Ratings	5
1.4	Parameter Derating Information	5
1.5	Physical Dimensions	5
1.6	Pin Assignment	5
1.7	Truth Table	5
1.8	Circuit Schematic	5
1.9	Functional Diagram	5
1.10	Handling Precautions	5
1.11	Input Protection Networks	5
2.	<b><u>APPLICABLE DOCUMENTS</u></b>	<b>15</b>
3.	<b><u>TERMS, DEFINITIONS, ABBREVIATIONS, SYMBOLS AND UNITS</u></b>	<b>15</b>
4.	<b><u>REQUIREMENTS</u></b>	<b>15</b>
4.1	General	15
4.2	Deviations from Generic Specification	15
4.2.1	Deviations from Special In-process Controls	15
4.2.2	Deviations from Final Production Tests	15
4.2.3	Deviations from Burn-in Tests	15
4.2.4	Deviations from Qualification, Environmental and Endurance Tests	15
4.2.5	Deviations from Lot Acceptance Tests	16
4.3	Mechanical Requirements	16
4.3.1	Dimension Check	16
4.3.2	Weight	16
4.4	Materials and Finishes	16
4.4.1	Case	16
4.4.2	Lead Material and Finish	16
4.5	Marking	16
4.5.1	General	16
4.5.2	Lead Identification	16
4.5.3	The SCC Component Number	17
4.5.4	Traceability Information	17
4.6	Electrical Measurements	17
4.6.1	Electrical Measurements at Room Temperature	17
4.6.2	Electrical Measurements at High and Low Temperatures	17
4.6.3	Circuits for Electrical Measurements	17
4.7	Burn-in Tests	17
4.7.1	Parameter Drift Values	17
4.7.2	Conditions for H.T.R.B. and Burn-in	17
4.7.3	Electrical Circuits for H.T.R.B. and Burn-in	17
4.8	Environmental and Endurance Tests	59
4.8.1	Electrical Measurements on Completion of Environmental Tests	59
4.8.2	Electrical Measurements at Intermediate Points during Endurance Tests	59
4.8.3	Electrical Measurements on Completion of Endurance Tests	59
4.8.4	Conditions for Operating Life Test	59
4.8.5	Electrical Circuits for Operating Life Tests	59
4.8.6	Conditions for High Temperature Storage Test	59

**TABLES**

	<u>Page</u>
1(a) Type Variants	6
1(b) Maximum Ratings	6
2 Electrical Measurements at Room Temperature, D.C. Parameters	18
Electrical Measurements at Room Temperature, A.C. Parameters	24
3(a) Electrical Measurements at High Temperature	26
3(b) Electrical Measurements at Low Temperature	32
4 Parameter Drift Values	54
5(a) Conditions for Burn-in High Temperature Reverse Bias, N-Channels	55
5(b) Conditions for Burn-in High Temperature Reverse Bias, P-Channels	55
5(c) Conditions for Burn-in Dynamic	56
6 Electrical Measurements on Completion of Environmental Tests and at Intermediate Points and on Completion of Endurance Testing	60

**FIGURES**

1 Not applicable	
2 Physical Dimensions	7
3(a) Pin Assignment	11
3(b) Truth Table	12
3(c) Circuit Schematic	13
3(d) Functional Diagram	14
3(e) Input Protection Network	14
4 Circuits for Electrical Measurements	38
5(a) Electrical Circuit for Burn-in High Temperature Reverse Bias, N-Channels	57
5(b) Electrical Circuit for Burn-in High Temperature Reverse Bias, P-Channels	57
5(c) Electrical Circuit for Burn-in Dynamic	58

**APPENDICES (Applicable to specific Manufacturers only)**

'A' Agreed Deviations for STMicroelectronics (F)	61
--	----



**1. GENERAL****1.1 SCOPE**

This specification details the ratings, physical and electrical characteristics, test and inspection data for a silicon monolithic CMOS Analogue Multiplexer/Demultiplexer, having fully buffered outputs, based on Type 4067B. It shall be read in conjunction with ESA/SCC Generic Specification No. 9000, the requirements of which are supplemented herein.

**1.2 COMPONENT TYPE VARIANTS**

Variants of the basic type integrated circuits specified herein, which are also covered by this specification, are given in Table 1(a).

**1.3 MAXIMUM RATINGS**

The maximum ratings, which shall not be exceeded at any time during use or storage, applicable to the integrated circuits specified herein, are as scheduled in Table 1(b).

Maximum ratings shall only be exceeded during testing to the extent specified in this specification and when stipulated in Test Methods and Procedures of the applicable ESA/SCC Generic Specification.

**1.4 PARAMETER DERATING INFORMATION (FIGURE 1)**

Not applicable.

**1.5 PHYSICAL DIMENSIONS**

As per Figure 2.

**1.6 PIN ASSIGNMENT**

As per Figure 3(a).

**1.7 TRUTH TABLE**

As per Figure 3(b).

**1.8 CIRCUIT SCHEMATIC**

As per Figure 3(c).

**1.9 FUNCTIONAL DIAGRAM**

As per Figure 3(d).

**1.10 HANDLING PRECAUTIONS**

These devices are susceptible to damage by electrostatic discharge. Therefore, suitable precautions shall be employed for protection during all phases of manufacture, testing, packaging, shipment and any handling. These components are categorised as Class 1 with a Minimum Critical Path Failure Voltage of 400Volts.

**1.11 INPUT PROTECTION NETWORK**

Double diode protection shall be incorporated into each input as shown in Figure 3(e).

**TABLE 1(a) - TYPE VARIANTS**

VARIANT	CASE	FIGURE	LEAD MATERIAL AND/OR FINISH
01	FLAT	2(a)	G2 or G8
02	FLAT	2(a)	G4
03	D.I.L.	2(b)	G2 or G8
04	D.I.L.	2(b)	G4
07	CHIP CARRIER	2(c)	2
08	SO CERAMIC	2(d)	G2
09	SO CERAMIC	2(d)	G4

**TABLE 1(b) - MAXIMUM RATINGS**

NO.	CHARACTERISTICS	SYMBOL	MAXIMUM RATINGS	UNIT	REMARKS (Note 8)
1	Supply Voltage	$V_{DD}$	-0.5 to +18	V	Note 1
2	Input Voltage	$V_{IN}$	-0.5 to $V_{DD} + 0.5$	V	Note 2 Power on
3	D.C. Input Current	$\pm I_{IN}$	10	mA	Note 3
4	D.C. Output Current	$\pm I_O$	10	mA	Note 4
5	Device Dissipation	$P_D$	200	mW	Per Package
6	Output Dissipation	$P_{DSO}$	100	mW	Note 5
7	Operating Temperature Range	$T_{op}$	-55 to +125	°C	-
8	Storage Temperature Range	$T_{stg}$	-65 to +150	°C	-
9	Soldering Temperature For FP and DIP For CCP	$T_{sol}$	+300 +245	°C	Note 6 Note 7

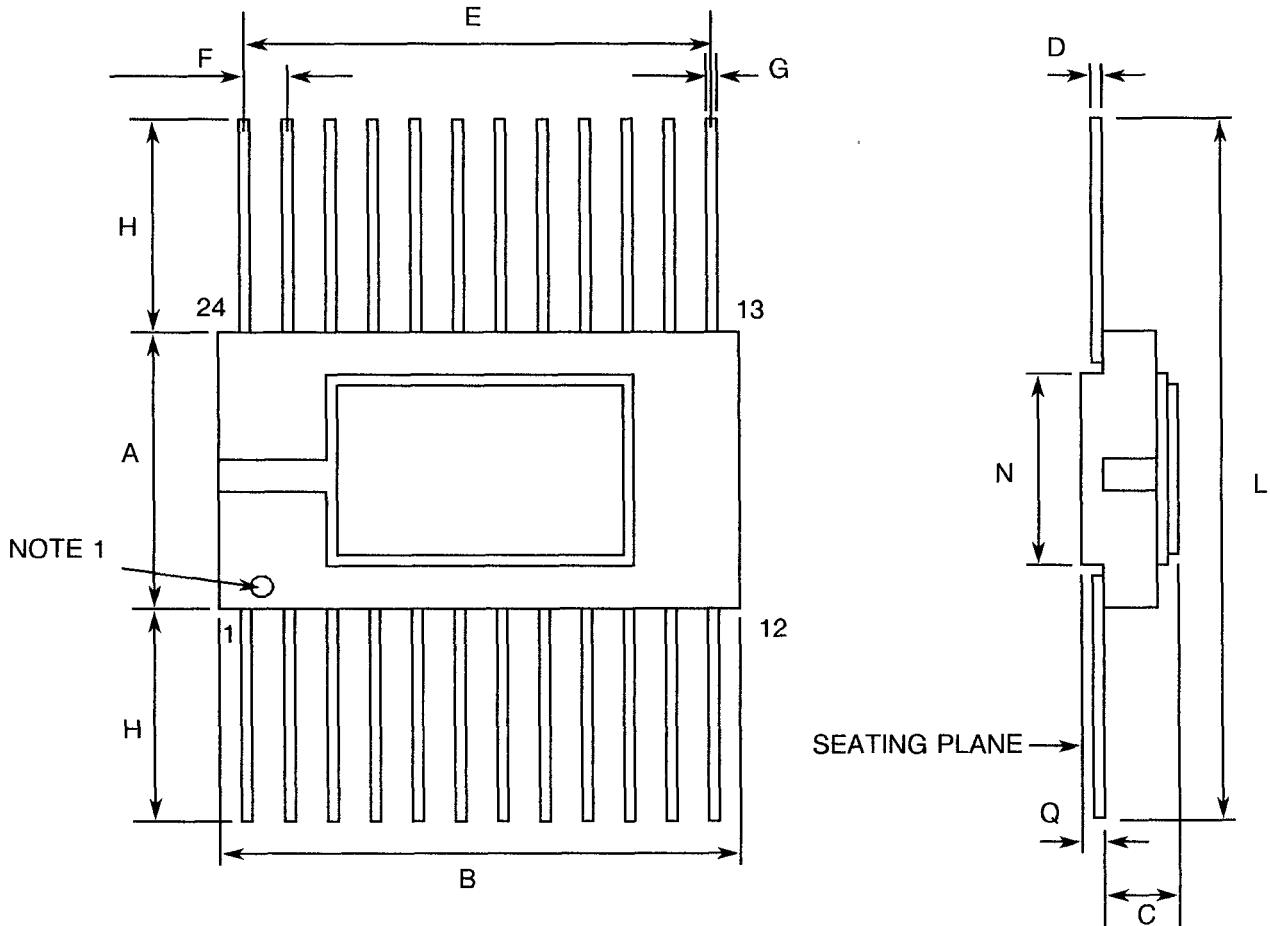
**NOTES**

- Device is functional from +3V to +15V with reference to  $V_{SS}$ .
- $V_{DD} + 0.5V$  should not exceed +18V.
- Any one input.
- The maximum output current of any single output.
- The maximum power dissipation of any single output.
- Duration 10 seconds maximum at a distance of not less than 1.5mm from the device body and the same lead shall not be resoldered until 3 minutes have elapsed.
- Duration 30 seconds maximum and the same terminal shall not be resoldered until 3 minutes have elapsed.
- When current is drawn from Common OUT/IN to Channel IN/OUT, the voltage drop across the bidirectional switch shall not exceed 0.4V.



**FIGURE 2- PHYSICAL DIMENSIONS**

**FIGURE 2 (a) - FLAT PACKAGE, 24-PIN**



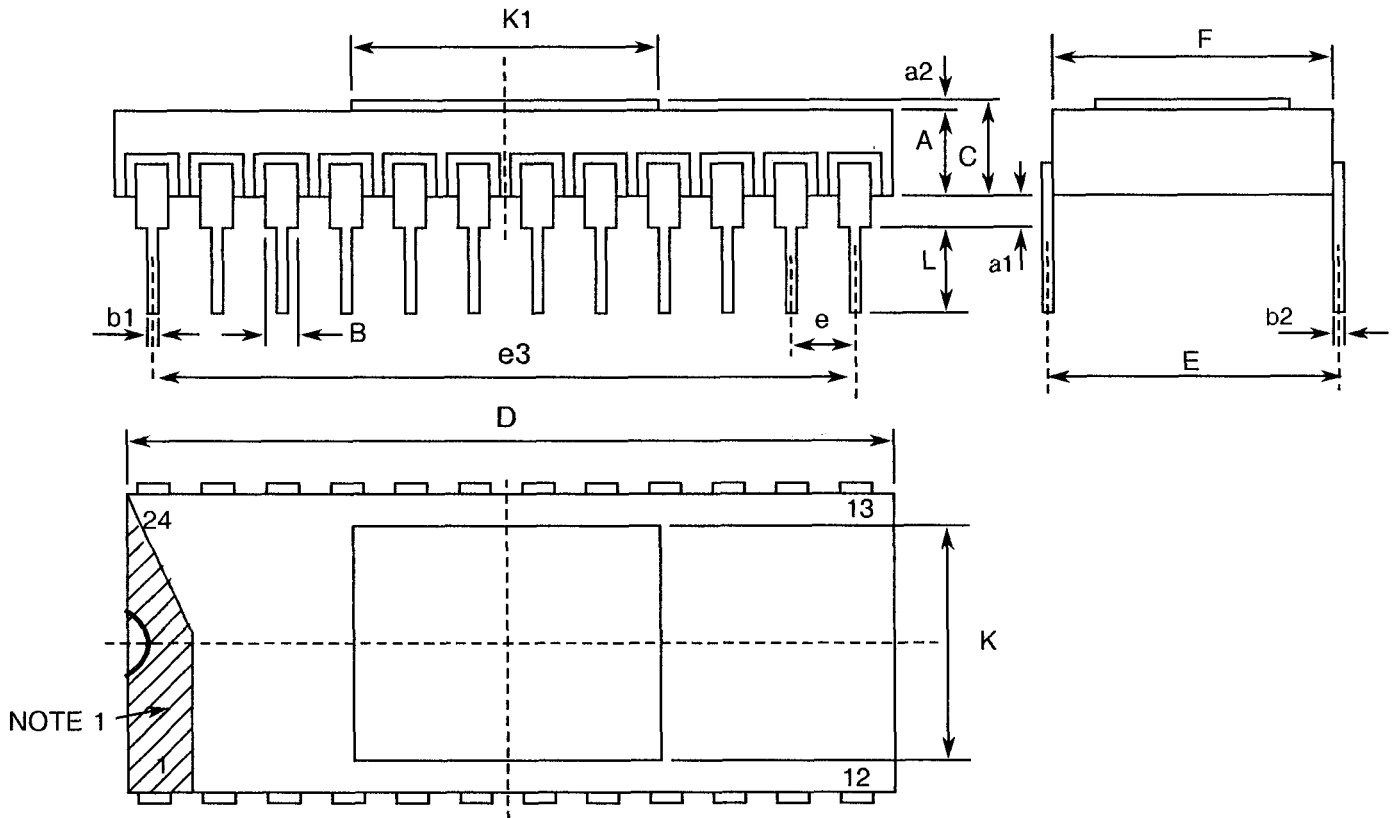
SYMBOL	MILLIMETRES		NOTES
	MIN	MAX	
A	10.70	11.30	
B	15.30	15.70	
C	1.45	1.90	
D	0.23	0.30	
E	13.84	14.10	
F	1.20	1.30	4
G	0.45	0.55	3
H	7.25	8.25	
L	25.00	28.00	
N	7.00	TYPICAL	
Q	0.45	0.55	2

**NOTES:** See Page 10.



**FIGURE 2 - PHYSICAL DIMENSIONS (CONTINUED)**

**FIGURE 2 (b) - DUAL-IN-LINE PACKAGE, 24-PIN**



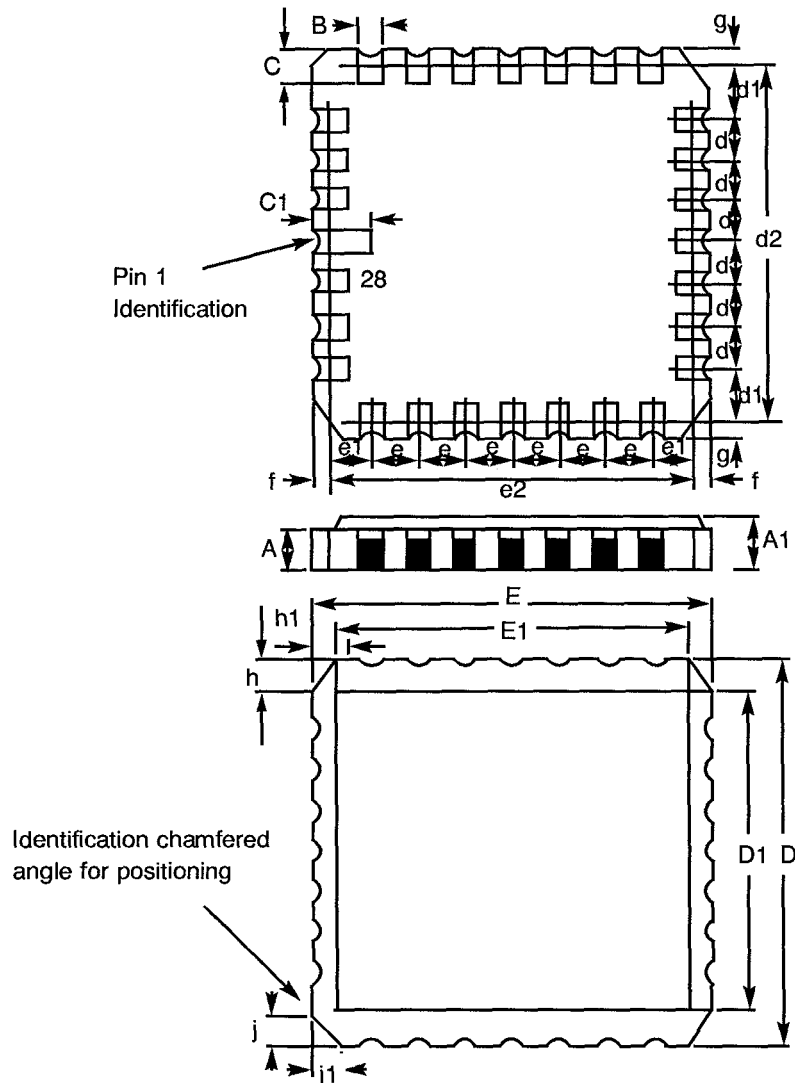
SYMBOL	MILLIMETRES		NOTES
	MIN	MAX	
A	1.931	2.387	
a <sub>1</sub>	1.016	1.524	2
a <sub>2</sub>	0.274	0.340	
B	1.274 TYPICAL		3
b <sub>1</sub>	0.407	0.507	3
b <sub>2</sub>	0.229	0.304	3
C	2.205	2.727	
D	30.784	30.784	
E	14.986	15.494	
e	2.413	2.667	4
e <sub>3</sub>	27.813	28.067	
F	14.859	15.367	
L	3.0	3.8	
K	12.6	13.0	
k <sub>1</sub>	12.6	13.0	

**NOTES:** See Page 10.



**FIGURE 2 - PHYSICAL DIMENSIONS (CONTINUED)**

**FIGURE 2(c) - CHIP CARRIER - 28-TERMINAL**



DIMENSIONS	MILLIMETRES		NOTES
	MIN	MAX	
A	1.14	1.95	
A1	1.63	2.36	
B	0.55	0.72	3
C	1.06	1.47	3
C <sub>1</sub>	1.91	2.41	
D	8.67	9.09	
D1	7.21	7.52	
d, d1	1.27	TYPICAL	4
d2	7.62	TYPICAL	
E	8.67	9.09	
E1	7.21	7.52	
e, e1	1.27	TYPICAL	4
e2	7.62	TYPICAL	
f, g	-	0.76	
h, h1	1.01	TYPICAL	6
j, j1	0.51	TYPICAL	5

**NOTES:** See Page 10.

**FIGURE 2 - PHYSICAL DIMENSIONS (CONTINUED)****NOTES TO FIGURES 2(a) TO 2(d) INCLUSIVE**

1. Index area: a notch, letter, metallised tab or dot shall be located adjacent to Pin 1 or 2 and shall be within the shaded area shown.

For chip carrier packages the index shall be as defined in Figure 2(c).

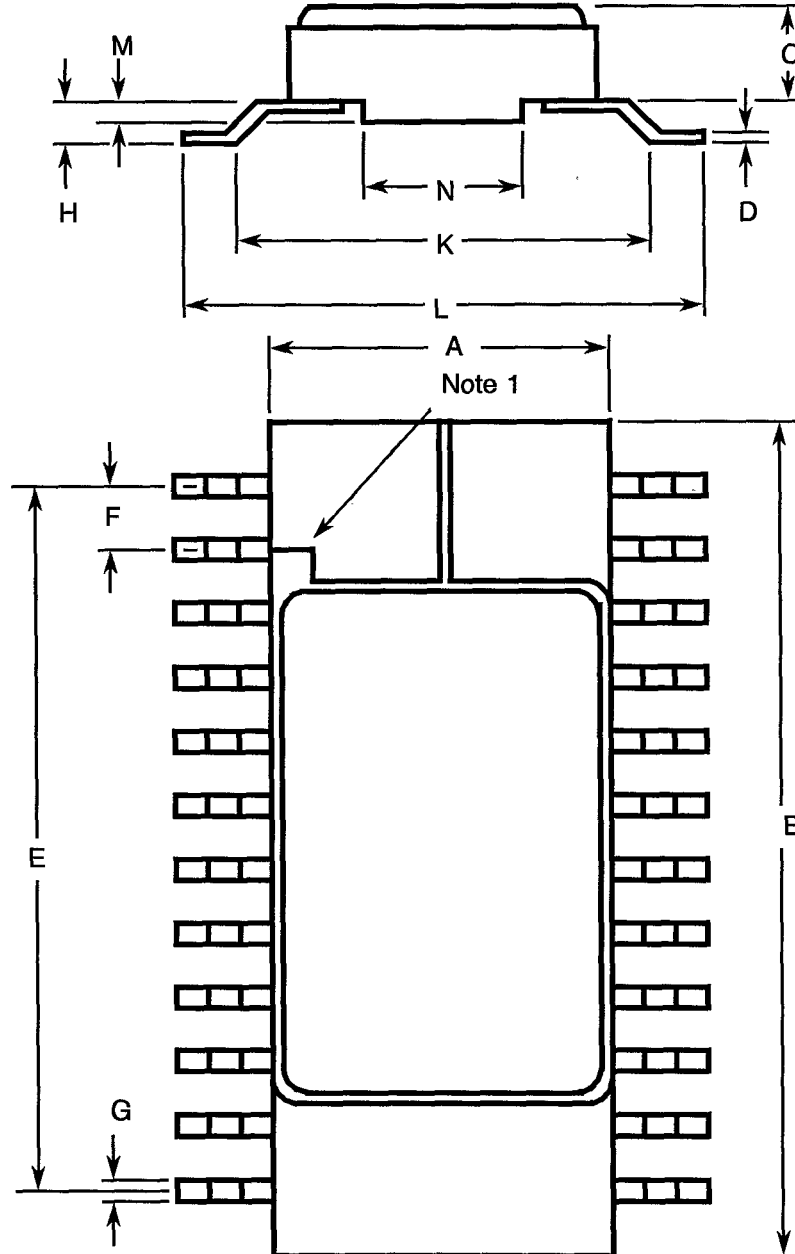
For SO packages, a dot shall also be located adjacent to Pin 1 on the bottom of the package.

2. The dimension shall be measured from the seating plane to the base plane.
3. All leads or terminals.
4. 24 pin packages : 22 spaces.  
28 terminal packages : 16 spaces.
5. Index corner only.
6. Three non-index corners.



**FIGURE 2 - PHYSICAL DIMENSIONS (CONTINUED)**

**FIGURE 2(d) - SMALL OUTLINE CERAMIC PACKAGE, 24-PIN**



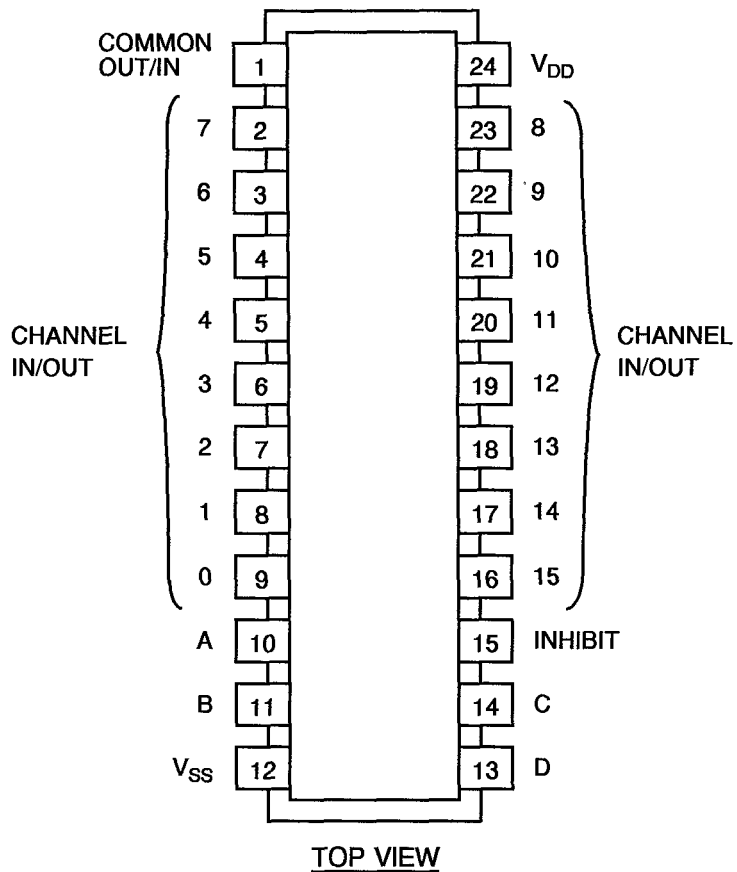
SYMBOL	MILLIMETRES		NOTES
	MIN.	MAX.	
A	7.30	7.60	
B	15.20	15.60	
C	1.58	1.88	
D	0.17	0.23	3
E	13.82	14.12	
F	1.27 TYPICAL		4
G	0.37	0.47	3
H	0.60	0.90	3
K	9.00 TYPICAL		
L	10	10.65	
M	0.55 TYPICAL		
N	4.31 TYPICAL		

**NOTES:** See Page 10.

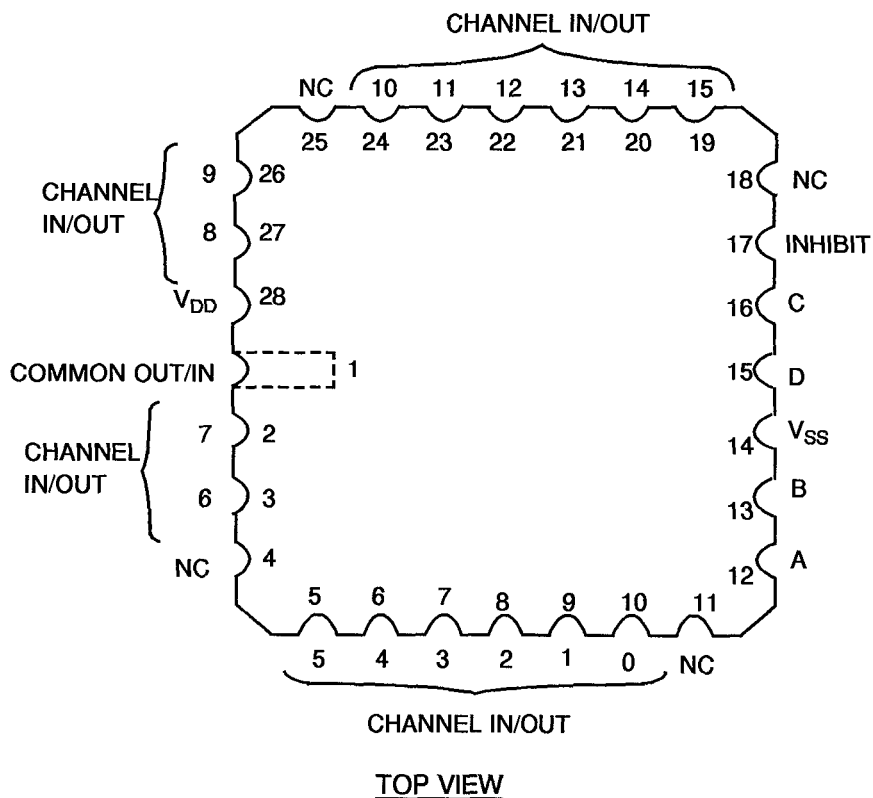


**FIGURE 3(a) - PIN ASSIGNMENT**

DUAL-IN-LINE, SO AND FLAT PACKAGES



CHIP CARRIER PACKAGE







**FIGURE 3(a) - PIN ASSIGNMENT (CONTINUED)**

FLAT PACKAGE, SO AND DUAL-IN-LINE TO CHIP CARRIER PIN ASSIGNMENT

FLAT PACKAGE, SO AND 1 2 3 4 5 6 7 8 9 10 11 12 13 14 15 16 17 18 19 20 21 22 23 24  
DUAL-IN-LINE PIN OUTS

CHIP CARRIER PIN OUTS 1 2 3 5 6 7 8 9 10 12 13 14 15 16 17 19 20 21 22 23 24 26 27 28

**FIGURE 3 (b) - TRUTH TABLE**

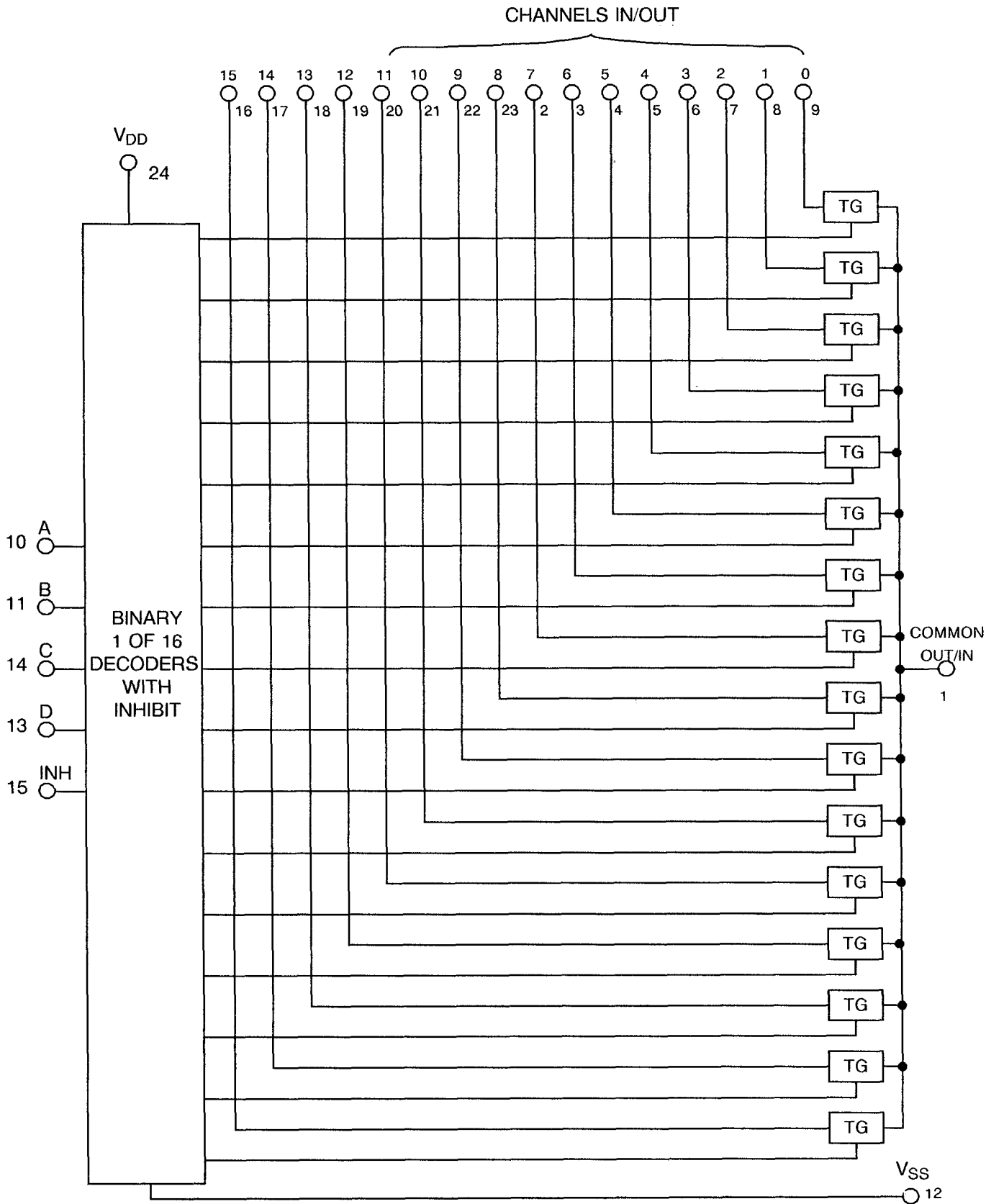
INPUTS					SELECTED CHANNEL ON
INHIBIT	A	B	C	D	
L	L	L	L	L	0
L	H	L	L	L	1
L	L	H	L	L	2
L	H	H	L	L	3
L	L	L	H	L	4
L	H	L	H	L	5
L	L	H	H	L	6
L	H	H	H	L	7
L	L	L	L	H	8
L	H	L	L	H	9
L	L	H	L	H	10
L	H	H	L	H	11
L	L	L	H	H	12
L	H	L	H	H	13
L	L	H	H	H	14
L	H	H	H	H	15
H	X	X	X	X	NONE

**NOTES**

1. Logic Level Definitions: L = Low Level, H = High Level, X = Irrelevant.

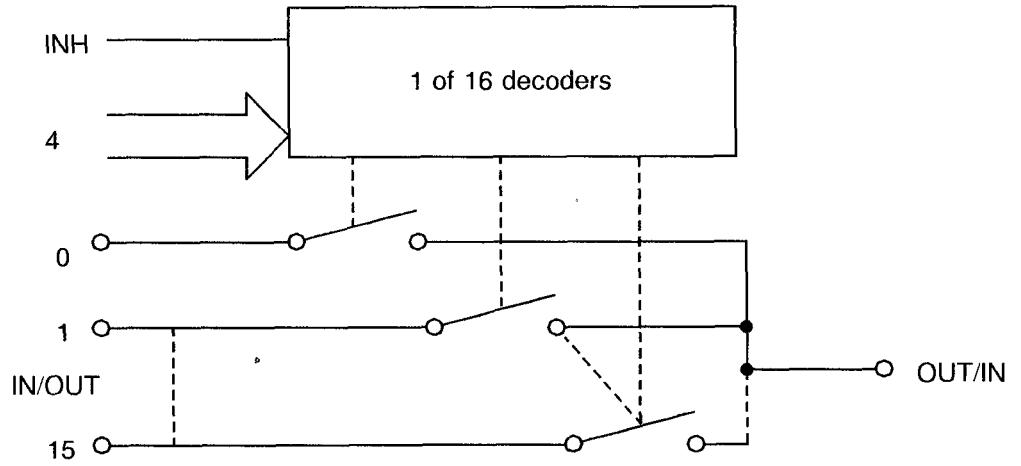


FIGURE 3(c) - CIRCUIT SCHEMATIC

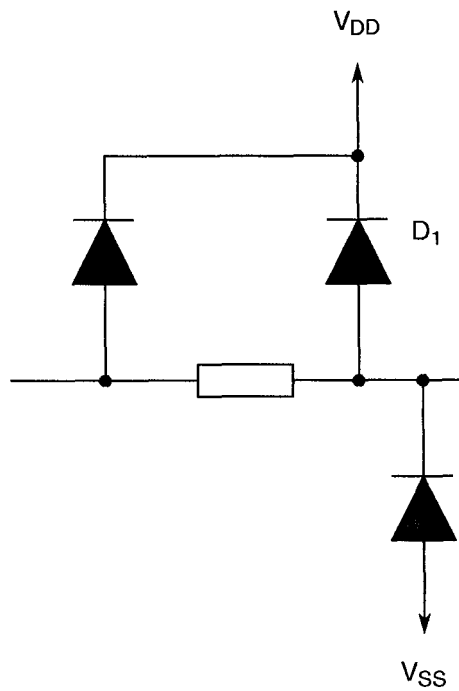






**FIGURE 3(d) - FUNCTIONAL DIAGRAM**



**FIGURE 3 (e) - INPUT PROTECTION NETWORK**



 	<p style="text-align: center;">ESA/SCC Detail Specification No. 9408/009</p>	<p style="text-align: center;">Rev. 'A'</p>	<p style="text-align: right;">PAGE 15 ISSUE 2</p>
---	--	---	---

**2. APPLICABLE DOCUMENTS**

The following documents form part of this specification and shall be read in conjunction with it:-

- (a) ESA/SCC Generic Specification No. 9000 for Integrated Circuits.
- (b) MIL-STD-883, Test Methods and Procedures for Micro-electronics.

**3. TERMS, DEFINITIONS, ABBREVIATIONS, SYMBOLS AND UNITS**

For the purpose of this specification, the terms, definitions, abbreviations, symbols and units specified in ESA/SCC Basic Specification No. 21300 shall apply. In addition, the following abbreviations are used:

- $V_{IC}$  = Input Clamp Voltage
- $P_{DSO}$  = Single Output Power Dissipation
- CKT = Circuit
- $I_{OFF}$  = Channel Off Leakage Current
- $R_{ON}$  = Channel On Resistance
- $C_{INC}$  = Channel Input Capacitance
- $C_{OC}$  = Channel Output Capacitance

**4. REQUIREMENTS**

**4.1 GENERAL**

The complete requirements for procurement of the integrated circuits specified herein are stated in this specification and ESA/SCC Generic Specification No. 9000 for Integrated Circuits. Deviations from the Generic Specification, applicable to this specification only, are listed in Para. 4.2.

Deviations from the applicable Generic Specification and this Detail Specification, formally agreed with specific Manufacturers on the basis that the alternative requirements are equivalent to the ESA/SCC requirement and do not affect the components' reliability, are listed in the appendices attached to this specification.

**4.2 DEVIATIONS FROM GENERIC SPECIFICATION**

**4.2.1 Deviations from Special In-process Controls**

None.

**4.2.2 Deviations from Final Production Tests (Chart II)**

None.

**4.2.3 Deviations from Burn-in Tests (Chart III)**

**4.2.3.1 Deviations from High Temperature Reverse Bias (H.T.R.B.)**

Prior to operating power burn-in, a high temperature reverse bias (H.T.R.B.) screen at +125°C shall be added for the N-Channel and then for the P-Channel in accordance with Tables 5(a) and 5(b) of this specification. Each exposure to H.T.R.B. shall be 72 hours and Table 4 Parameter Drift Values shall be applied at 0 and 144 hours.

**4.2.4 Deviations from Qualification, Environmental and Endurance Tests (Chart IV)**

None.



#### 4.2.5 Deviations from Lot Acceptance Tests (Chart V)

None.

### 4.3 MECHANICAL REQUIREMENTS

#### 4.3.1 Dimension Check

The dimensions of the integrated circuits specified herein shall be checked. They shall conform to those shown in Figure 2.

#### 4.3.2 Weight

The maximum weight of the integrated circuits specified herein shall be 4.25 grammes for the dual-in-line package, 1.55 grammes for the flat package, 1.1 grammes for the SO package and 0.79 grammes for the chip carrier package.

### 4.4 MATERIALS AND FINISHES

The materials shall be as specified herein. Where a definite material is not specified, a material which will enable the integrated circuits specified herein to meet the performance requirements of this specification shall be used. Acceptance or approval of any constituent material does not guarantee acceptance of the finished product.

#### 4.4.1 Case

The case shall be hermetically sealed and have a metal body with hard glass seals or a ceramic body and the lids shall be welded, brazed or preform-soldered.

#### 4.4.2 Lead Material and Finish

For dual-in-line and flat packages, the material shall be Type 'G' with either Type '4' or Type '2 or 8' finish in accordance with ESA/SCC Basic Specification No. 23500. For chip carrier packages the finish shall be Type '2' in accordance with ESA/SCC Basic Specification No. 23500. For SO ceramic packages, the material shall be Type 'G' with either Type '2' or Type '4' finish in accordance with ESA/SCC Basic Specification No. 23500. (See Table 1(a) for Type Variants).

### 4.5 MARKING

#### 4.5.1 General

The marking of all components delivered to this specification shall be in accordance with the requirements of ESA/SCC Basic Specification No. 21700. Each component shall be marked in respect of:-

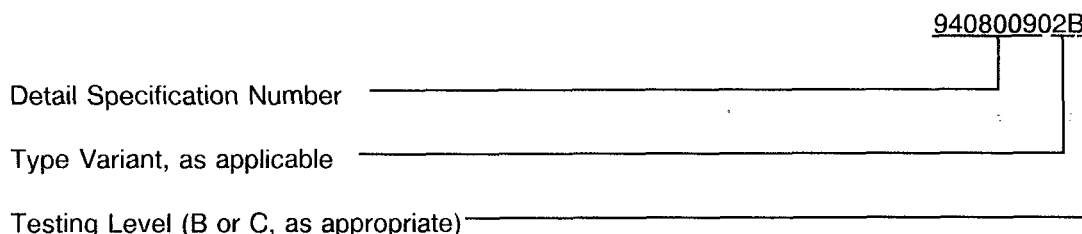
- (a) Lead Identification.
- (b) The SCC Component Number.
- (c) Traceability Information.

#### 4.5.2 Lead Identification

For dual-in-line, flat and SO packages, an index shall be located at the top of the package in the position defined in Note 1 to Figure 2 or, alternatively, a tab may be used to identify Pin No. 1. The pin numbering must be read with the index or tab on the left-hand side. For chip carrier packages, the index shall be as defined by Figure 2(c).

4.5.3 The SCC Component Number

Each component shall bear the SCC Component Number which shall be constituted and marked as follows:-



4.5.4 Traceability Information

Each component shall be marked in respect of traceability information in accordance with the requirements of ESA/SCC Basic Specification No. 21700.

4.6 ELECTRICAL MEASUREMENTS

4.6.1 Electrical Measurements at Room Temperature

The parameters to be measured in respect of electrical characteristics are scheduled in Table 2. Unless otherwise specified, the measurements shall be performed at  $T_{amb} = +22 \pm 3 \text{ }^\circ\text{C}$ .

4.6.2 Electrical Measurements at High and Low Temperatures

The parameters to be measured at high and low temperatures are scheduled in Table 3. The measurements shall be performed at  $T_{amb} = +125(+0-5) \text{ }^\circ\text{C}$  and  $-55(+5-0) \text{ }^\circ\text{C}$  respectively.

4.6.3 Circuits for Electrical Measurements

Circuits and functional test sequence for use in performing electrical measurements listed in Tables 2 and 3 of this specification are shown in Figure 4.

4.7 BURN-IN TESTS

4.7.1 Parameter Drift Values

The parameter drift values applicable to burn-in are specified in Table 4 of this specification. Unless otherwise stated, measurements shall be performed at  $+22 \pm 3 \text{ }^\circ\text{C}$ . The parameter drift values ( $\Delta$ ) applicable to the parameters scheduled, shall not be exceeded. In addition to these drift value requirements, the appropriate limit value specified for a given parameter in Table 2 shall not be exceeded.

4.7.2 Conditions for H.T.R.B. and Burn-in

The requirements for H.T.R.B. and Burn-in are specified in Section 7 of ESA/SCC Generic Specification No. 9000. The conditions for H.T.R.B. and Burn-in shall be as specified in Tables 5(a), 5(b) and 5(c) of this specification.

4.7.3 Electrical Circuits for H.T.R.B and Burn-in

Circuits for use in performing the H.T.R.B. and Burn-in tests are shown in Figures 5(a), 5(b) and 5(c) of this specification.

**TABLE 2 - ELECTRICAL MEASUREMENTS AT ROOM TEMPERATURE - D.C. PARAMETERS**

NO.	CHARACTERISTICS	SYMBOL	TEST METHOD MIL-STD 883	TEST FIG.	TEST CONDITIONS (PINS UNDER TEST D/F = DIP AND FP C = CCP)	LIMITS		UNIT
						MIN	MAX	
1	Functional Test	-	-	4 (a)	Verify Truth Table without Load. $V_{DD} = 3V_{dc}$ , $V_{SS} = 0V_{dc}$ Notes 1 and 2	-	-	-
2	Functional Test	-	-	4 (a)	Verify Truth Table without Load. $V_{DD} = 15V_{dc}$ , $V_{SS} = 0V_{dc}$ Notes 1 and 2	-	-	-
3 to 18	Quiescent Current	$I_{DD}$	3005	4 (b)	$V_{IL} = 0V_{dc}$ , $V_{IH} = 15V_{dc}$ $V_{DD} = 15V_{dc}$ , $V_{SS} = 0V_{dc}$ Note 3 (Pin D/F 24) (Pin C 28)	-	500	nA
19 to 23	Input Current Low Level Address or Inhibit	$I_{IL}$	3009	4 (c)	$V_{IN}$ (Under Test) = $0V_{dc}$ $V_{IN}$ (Other Inputs) = $15V_{dc}$ $V_{DD} = 15V_{dc}$ , $V_{SS} = 0V_{dc}$ (Pins D/F 10-11-13-14-15) (Pins C 12-13-15-16-17)	-	-50	nA
24 to 28	Input Current High Level Address or Inhibit	$I_{IH}$	3010	4 (d)	$V_{IN}$ (Under Test) = $15V_{dc}$ $V_{IN}$ (Other Inputs) = $0V_{dc}$ $V_{DD} = 15V_{dc}$ , $V_{SS} = 0V_{dc}$ (Pins D/F 10-11-13-14-15) (Pins C 12-13-15-16-17)	-	50	nA

**NOTES:** See Page 25.



**TABLE 2 - ELECTRICAL MEASUREMENTS AT ROOM TEMPERATURE - D.C. PARAMETERS (CONT'D)**

NO.	CHARACTERISTICS	SYMBOL	TEST METHOD MIL-STD 883	TEST FIG.	TEST CONDITIONS (PINS UNDER TEST D/F = DIP AND FP C = CCP)	LIMITS		UNIT																																		
						MIN	MAX																																			
29 to 44	Channel Off Leakage Current (Any Channel)	$I_{OFF1}$	-	4 (e)	$V_{IN}$ (INHIBIT) = 15Vdc $V_{IN}$ (Address Inputs) = 0Vdc $V_{IN}$ (CHANNEL I/O) = 15Vdc $V_{IN}$ (COMMON O/I) = 0Vdc $V_{DD}$ = 15Vdc, $V_{SS}$ = 0Vdc <table border="1"> <thead> <tr> <th>Pins D/F</th> <th>Pins C</th> </tr> </thead> <tbody> <tr><td>2 to 1</td><td>2 to 1</td></tr> <tr><td>3 to 1</td><td>3 to 1</td></tr> <tr><td>4 to 1</td><td>5 to 1</td></tr> <tr><td>5 to 1</td><td>6 to 1</td></tr> <tr><td>6 to 1</td><td>7 to 1</td></tr> <tr><td>7 to 1</td><td>8 to 1</td></tr> <tr><td>8 to 1</td><td>9 to 1</td></tr> <tr><td>9 to 1</td><td>10 to 1</td></tr> <tr><td>16 to 1</td><td>19 to 1</td></tr> <tr><td>17 to 1</td><td>20 to 1</td></tr> <tr><td>18 to 1</td><td>21 to 1</td></tr> <tr><td>19 to 1</td><td>22 to 1</td></tr> <tr><td>20 to 1</td><td>23 to 1</td></tr> <tr><td>21 to 1</td><td>24 to 1</td></tr> <tr><td>22 to 1</td><td>26 to 1</td></tr> <tr><td>23 to 1</td><td>27 to 1</td></tr> </tbody> </table>	Pins D/F	Pins C	2 to 1	2 to 1	3 to 1	3 to 1	4 to 1	5 to 1	5 to 1	6 to 1	6 to 1	7 to 1	7 to 1	8 to 1	8 to 1	9 to 1	9 to 1	10 to 1	16 to 1	19 to 1	17 to 1	20 to 1	18 to 1	21 to 1	19 to 1	22 to 1	20 to 1	23 to 1	21 to 1	24 to 1	22 to 1	26 to 1	23 to 1	27 to 1	-	-100	nA
Pins D/F	Pins C																																									
2 to 1	2 to 1																																									
3 to 1	3 to 1																																									
4 to 1	5 to 1																																									
5 to 1	6 to 1																																									
6 to 1	7 to 1																																									
7 to 1	8 to 1																																									
8 to 1	9 to 1																																									
9 to 1	10 to 1																																									
16 to 1	19 to 1																																									
17 to 1	20 to 1																																									
18 to 1	21 to 1																																									
19 to 1	22 to 1																																									
20 to 1	23 to 1																																									
21 to 1	24 to 1																																									
22 to 1	26 to 1																																									
23 to 1	27 to 1																																									
45 to 60	Channel Off Leakage Current (Any Channel)	$I_{OFF2}$	-	4 (e)	$V_{IN}$ (INHIBIT) = 15Vdc $V_{IN}$ (Address Inputs) = 0Vdc $V_{IN}$ (CHANNEL I/O) = 0Vdc $V_{IN}$ (COMMON I/O) = 15Vdc $V_{DD}$ = 15Vdc, $V_{SS}$ = 0Vdc <table border="1"> <thead> <tr> <th>Pins D/F</th> <th>Pins C</th> </tr> </thead> <tbody> <tr><td>1 to 2</td><td>1 to 2</td></tr> <tr><td>1 to 3</td><td>1 to 3</td></tr> <tr><td>1 to 4</td><td>1 to 5</td></tr> <tr><td>1 to 5</td><td>1 to 6</td></tr> <tr><td>1 to 6</td><td>1 to 7</td></tr> <tr><td>1 to 7</td><td>1 to 8</td></tr> <tr><td>1 to 8</td><td>1 to 9</td></tr> <tr><td>1 to 9</td><td>1 to 10</td></tr> <tr><td>1 to 16</td><td>1 to 19</td></tr> <tr><td>1 to 17</td><td>1 to 20</td></tr> <tr><td>1 to 18</td><td>1 to 21</td></tr> <tr><td>1 to 19</td><td>1 to 22</td></tr> <tr><td>1 to 20</td><td>1 to 23</td></tr> <tr><td>1 to 21</td><td>1 to 24</td></tr> <tr><td>1 to 22</td><td>1 to 26</td></tr> <tr><td>1 to 23</td><td>1 to 27</td></tr> </tbody> </table>	Pins D/F	Pins C	1 to 2	1 to 2	1 to 3	1 to 3	1 to 4	1 to 5	1 to 5	1 to 6	1 to 6	1 to 7	1 to 7	1 to 8	1 to 8	1 to 9	1 to 9	1 to 10	1 to 16	1 to 19	1 to 17	1 to 20	1 to 18	1 to 21	1 to 19	1 to 22	1 to 20	1 to 23	1 to 21	1 to 24	1 to 22	1 to 26	1 to 23	1 to 27	-	100	nA
Pins D/F	Pins C																																									
1 to 2	1 to 2																																									
1 to 3	1 to 3																																									
1 to 4	1 to 5																																									
1 to 5	1 to 6																																									
1 to 6	1 to 7																																									
1 to 7	1 to 8																																									
1 to 8	1 to 9																																									
1 to 9	1 to 10																																									
1 to 16	1 to 19																																									
1 to 17	1 to 20																																									
1 to 18	1 to 21																																									
1 to 19	1 to 22																																									
1 to 20	1 to 23																																									
1 to 21	1 to 24																																									
1 to 22	1 to 26																																									
1 to 23	1 to 27																																									

**NOTES:** See Page 25.





**TABLE 2 - ELECTRICAL MEASUREMENTS AT ROOM TEMPERATURE - D.C. PARAMETERS (CONT'D)**

NO.	CHARACTERISTICS	SYMBOL	TEST METHOD MIL-STD 883	TEST FIG.	TEST CONDITIONS (PINS UNDER TEST D/F = DIP AND FP C = CCP)	LIMITS		UNIT																																																																				
						MIN	MAX																																																																					
61	Channel Off Leakage Current (All Channels)	$I_{OFF3}$	-	4 (f)	$V_{IN}$ (INHIBIT) = 15Vdc $V_{IN}$ (Address Inputs) = 0Vdc $V_{IN}$ (ALL CHANNEL I/O) = 0Vdc $V_{IN}$ (COMMON O/I) = 15Vdc $V_{DD}$ = 15Vdc, $V_{SS}$ = 0Vdc <table border="1"> <thead> <tr> <th colspan="2">Pins D/F</th> <th colspan="2">Pins C</th> </tr> </thead> <tbody> <tr><td>1 to 2</td><td></td><td>1 to 2</td><td></td></tr> <tr><td>1 to 3</td><td></td><td>1 to 3</td><td></td></tr> <tr><td>1 to 4</td><td></td><td>1 to 5</td><td></td></tr> <tr><td>1 to 5</td><td></td><td>1 to 6</td><td></td></tr> <tr><td>1 to 6</td><td></td><td>1 to 7</td><td></td></tr> <tr><td>1 to 7</td><td></td><td>1 to 8</td><td></td></tr> <tr><td>1 to 8</td><td></td><td>1 to 9</td><td></td></tr> <tr><td>1 to 9</td><td></td><td>1 to 10</td><td></td></tr> <tr><td>1 to 16</td><td></td><td>1 to 19</td><td></td></tr> <tr><td>1 to 17</td><td></td><td>1 to 20</td><td></td></tr> <tr><td>1 to 18</td><td></td><td>1 to 21</td><td></td></tr> <tr><td>1 to 19</td><td></td><td>1 to 22</td><td></td></tr> <tr><td>1 to 20</td><td></td><td>1 to 23</td><td></td></tr> <tr><td>1 to 21</td><td></td><td>1 to 24</td><td></td></tr> <tr><td>1 to 22</td><td></td><td>1 to 26</td><td></td></tr> <tr><td>1 to 23</td><td></td><td>1 to 27</td><td></td></tr> </tbody> </table>	Pins D/F		Pins C		1 to 2		1 to 2		1 to 3		1 to 3		1 to 4		1 to 5		1 to 5		1 to 6		1 to 6		1 to 7		1 to 7		1 to 8		1 to 8		1 to 9		1 to 9		1 to 10		1 to 16		1 to 19		1 to 17		1 to 20		1 to 18		1 to 21		1 to 19		1 to 22		1 to 20		1 to 23		1 to 21		1 to 24		1 to 22		1 to 26		1 to 23		1 to 27		-	100	nA
Pins D/F		Pins C																																																																										
1 to 2		1 to 2																																																																										
1 to 3		1 to 3																																																																										
1 to 4		1 to 5																																																																										
1 to 5		1 to 6																																																																										
1 to 6		1 to 7																																																																										
1 to 7		1 to 8																																																																										
1 to 8		1 to 9																																																																										
1 to 9		1 to 10																																																																										
1 to 16		1 to 19																																																																										
1 to 17		1 to 20																																																																										
1 to 18		1 to 21																																																																										
1 to 19		1 to 22																																																																										
1 to 20		1 to 23																																																																										
1 to 21		1 to 24																																																																										
1 to 22		1 to 26																																																																										
1 to 23		1 to 27																																																																										
62	Channel Off Leakage Current (All Channels)	$I_{OFF4}$	-	4 (f)	$V_{IN}$ (INHIBIT) = 15Vdc $V_{IN}$ (Address Inputs) = 0Vdc $V_{IN}$ (ALL CHANNEL I/O) = 15Vdc $V_{IN}$ (COMMON I/O) = 0Vdc $V_{DD}$ = 15Vdc, $V_{SS}$ = 0Vdc <table border="1"> <thead> <tr> <th colspan="2">Pins D/F</th> <th colspan="2">Pins C</th> </tr> </thead> <tbody> <tr><td>2 to 1</td><td></td><td>2 to 1</td><td></td></tr> <tr><td>3 to 1</td><td></td><td>3 to 1</td><td></td></tr> <tr><td>4 to 1</td><td></td><td>5 to 1</td><td></td></tr> <tr><td>5 to 1</td><td></td><td>6 to 1</td><td></td></tr> <tr><td>6 to 1</td><td></td><td>7 to 1</td><td></td></tr> <tr><td>7 to 1</td><td></td><td>8 to 1</td><td></td></tr> <tr><td>8 to 1</td><td></td><td>9 to 1</td><td></td></tr> <tr><td>9 to 1</td><td></td><td>10 to 1</td><td></td></tr> <tr><td>16 to 1</td><td></td><td>19 to 1</td><td></td></tr> <tr><td>17 to 1</td><td></td><td>20 to 1</td><td></td></tr> <tr><td>18 to 1</td><td></td><td>21 to 1</td><td></td></tr> <tr><td>19 to 1</td><td></td><td>22 to 1</td><td></td></tr> <tr><td>20 to 1</td><td></td><td>23 to 1</td><td></td></tr> <tr><td>21 to 1</td><td></td><td>24 to 1</td><td></td></tr> <tr><td>22 to 1</td><td></td><td>26 to 1</td><td></td></tr> <tr><td>23 to 1</td><td></td><td>27 to 1</td><td></td></tr> </tbody> </table>	Pins D/F		Pins C		2 to 1		2 to 1		3 to 1		3 to 1		4 to 1		5 to 1		5 to 1		6 to 1		6 to 1		7 to 1		7 to 1		8 to 1		8 to 1		9 to 1		9 to 1		10 to 1		16 to 1		19 to 1		17 to 1		20 to 1		18 to 1		21 to 1		19 to 1		22 to 1		20 to 1		23 to 1		21 to 1		24 to 1		22 to 1		26 to 1		23 to 1		27 to 1		-	-100	nA
Pins D/F		Pins C																																																																										
2 to 1		2 to 1																																																																										
3 to 1		3 to 1																																																																										
4 to 1		5 to 1																																																																										
5 to 1		6 to 1																																																																										
6 to 1		7 to 1																																																																										
7 to 1		8 to 1																																																																										
8 to 1		9 to 1																																																																										
9 to 1		10 to 1																																																																										
16 to 1		19 to 1																																																																										
17 to 1		20 to 1																																																																										
18 to 1		21 to 1																																																																										
19 to 1		22 to 1																																																																										
20 to 1		23 to 1																																																																										
21 to 1		24 to 1																																																																										
22 to 1		26 to 1																																																																										
23 to 1		27 to 1																																																																										

**NOTES:** See Page 25.



**TABLE 2 - ELECTRICAL MEASUREMENTS AT ROOM TEMPERATURE - D.C. PARAMETERS (CONT'D)**

NO.	CHARACTERISTICS	SYMBOL	TEST METHOD MIL-STD 883	TEST FIG.	TEST CONDITIONS (PINS UNDER TEST D/F = DIP AND FP C = CCP)	LIMITS		UNIT																																																																		
						MIN	MAX																																																																			
63 to 286	Channel On Resistance	R <sub>ON1</sub>	-	4 (g)	V <sub>IN</sub> (INHIBIT) = 0Vdc V <sub>IN</sub> (Address Inputs): V <sub>IL</sub> = 0Vdc, V <sub>IH</sub> = 5Vdc I <sub>IN</sub> = 100μAdc, R <sub>L</sub> = 10kΩ Channel Input Conditions: See Test Table Figure 4(g)(i). V <sub>DD</sub> = 5Vdc, V <sub>SS</sub> = 0Vdc Note 4 <table border="0" style="margin-left: 20px;"> <tr> <td style="text-align: center;"><u>Pins D/F</u></td> <td style="text-align: center;"><u>Pins C</u></td> </tr> <tr> <td>1 to 2</td> <td>1 to 2</td> </tr> <tr> <td>1 to 3</td> <td>1 to 3</td> </tr> <tr> <td>1 to 4</td> <td>1 to 5</td> </tr> <tr> <td>1 to 5</td> <td>1 to 6</td> </tr> <tr> <td>1 to 6</td> <td>1 to 7</td> </tr> <tr> <td>1 to 7</td> <td>1 to 8</td> </tr> <tr> <td>1 to 8</td> <td>1 to 9</td> </tr> <tr> <td>1 to 9</td> <td>1 to 10</td> </tr> <tr> <td>1 to 16</td> <td>1 to 19</td> </tr> <tr> <td>1 to 17</td> <td>1 to 20</td> </tr> <tr> <td>1 to 18</td> <td>1 to 21</td> </tr> <tr> <td>1 to 19</td> <td>1 to 22</td> </tr> <tr> <td>1 to 20</td> <td>1 to 23</td> </tr> <tr> <td>1 to 21</td> <td>1 to 24</td> </tr> <tr> <td>1 to 22</td> <td>1 to 26</td> </tr> <tr> <td>1 to 23</td> <td>1 to 27</td> </tr> <tr> <td>2 to 1</td> <td>2 to 1</td> </tr> <tr> <td>3 to 1</td> <td>3 to 1</td> </tr> <tr> <td>4 to 1</td> <td>5 to 1</td> </tr> <tr> <td>5 to 1</td> <td>6 to 1</td> </tr> <tr> <td>6 to 1</td> <td>7 to 1</td> </tr> <tr> <td>7 to 1</td> <td>8 to 1</td> </tr> <tr> <td>8 to 1</td> <td>9 to 1</td> </tr> <tr> <td>9 to 1</td> <td>10 to 1</td> </tr> <tr> <td>16 to 1</td> <td>19 to 1</td> </tr> <tr> <td>17 to 1</td> <td>20 to 1</td> </tr> <tr> <td>18 to 1</td> <td>21 to 1</td> </tr> <tr> <td>19 to 1</td> <td>22 to 1</td> </tr> <tr> <td>20 to 1</td> <td>23 to 1</td> </tr> <tr> <td>21 to 1</td> <td>24 to 1</td> </tr> <tr> <td>22 to 1</td> <td>26 to 1</td> </tr> <tr> <td>23 to 1</td> <td>27 to 1</td> </tr> </table>	<u>Pins D/F</u>	<u>Pins C</u>	1 to 2	1 to 2	1 to 3	1 to 3	1 to 4	1 to 5	1 to 5	1 to 6	1 to 6	1 to 7	1 to 7	1 to 8	1 to 8	1 to 9	1 to 9	1 to 10	1 to 16	1 to 19	1 to 17	1 to 20	1 to 18	1 to 21	1 to 19	1 to 22	1 to 20	1 to 23	1 to 21	1 to 24	1 to 22	1 to 26	1 to 23	1 to 27	2 to 1	2 to 1	3 to 1	3 to 1	4 to 1	5 to 1	5 to 1	6 to 1	6 to 1	7 to 1	7 to 1	8 to 1	8 to 1	9 to 1	9 to 1	10 to 1	16 to 1	19 to 1	17 to 1	20 to 1	18 to 1	21 to 1	19 to 1	22 to 1	20 to 1	23 to 1	21 to 1	24 to 1	22 to 1	26 to 1	23 to 1	27 to 1	-	1050	Ω
<u>Pins D/F</u>	<u>Pins C</u>																																																																									
1 to 2	1 to 2																																																																									
1 to 3	1 to 3																																																																									
1 to 4	1 to 5																																																																									
1 to 5	1 to 6																																																																									
1 to 6	1 to 7																																																																									
1 to 7	1 to 8																																																																									
1 to 8	1 to 9																																																																									
1 to 9	1 to 10																																																																									
1 to 16	1 to 19																																																																									
1 to 17	1 to 20																																																																									
1 to 18	1 to 21																																																																									
1 to 19	1 to 22																																																																									
1 to 20	1 to 23																																																																									
1 to 21	1 to 24																																																																									
1 to 22	1 to 26																																																																									
1 to 23	1 to 27																																																																									
2 to 1	2 to 1																																																																									
3 to 1	3 to 1																																																																									
4 to 1	5 to 1																																																																									
5 to 1	6 to 1																																																																									
6 to 1	7 to 1																																																																									
7 to 1	8 to 1																																																																									
8 to 1	9 to 1																																																																									
9 to 1	10 to 1																																																																									
16 to 1	19 to 1																																																																									
17 to 1	20 to 1																																																																									
18 to 1	21 to 1																																																																									
19 to 1	22 to 1																																																																									
20 to 1	23 to 1																																																																									
21 to 1	24 to 1																																																																									
22 to 1	26 to 1																																																																									
23 to 1	27 to 1																																																																									

**NOTES:** See Page 25.



**TABLE 2 - ELECTRICAL MEASUREMENTS AT ROOM TEMPERATURE - D.C. PARAMETERS (CONT'D)**

NO.	CHARACTERISTICS	SYMBOL	TEST METHOD MIL-STD 883	TEST FIG.	TEST CONDITIONS (PINS UNDER TEST D/F = DIP AND FP C = CCP)	LIMITS		UNIT																																																																		
						MIN	MAX																																																																			
287 to 542	Channel On Resistance	R <sub>ON2</sub>	-	4 (g)	V <sub>IN</sub> (INHIBIT) = 0Vdc V <sub>IN</sub> (Address Inputs): V <sub>IL</sub> = 0Vdc, V <sub>IH</sub> = 15Vdc I <sub>IN</sub> = 100µAdc, R <sub>L</sub> = 10kΩ Channel Input Conditions: See Test Table Figure 4(g)(i). V <sub>DD</sub> = 15Vdc, V <sub>SS</sub> = 0Vdc Note 4 <table style="margin-left: 20px;"> <tr> <td style="text-align: center;">Pins D/F</td> <td style="text-align: center;">Pins C</td> </tr> <tr> <td>1 to 2</td> <td>1 to 2</td> </tr> <tr> <td>1 to 3</td> <td>1 to 3</td> </tr> <tr> <td>1 to 4</td> <td>1 to 5</td> </tr> <tr> <td>1 to 5</td> <td>1 to 6</td> </tr> <tr> <td>1 to 6</td> <td>1 to 7</td> </tr> <tr> <td>1 to 7</td> <td>1 to 8</td> </tr> <tr> <td>1 to 8</td> <td>1 to 9</td> </tr> <tr> <td>1 to 9</td> <td>1 to 10</td> </tr> <tr> <td>1 to 16</td> <td>1 to 19</td> </tr> <tr> <td>1 to 17</td> <td>1 to 20</td> </tr> <tr> <td>1 to 18</td> <td>1 to 21</td> </tr> <tr> <td>1 to 19</td> <td>1 to 22</td> </tr> <tr> <td>1 to 20</td> <td>1 to 23</td> </tr> <tr> <td>1 to 21</td> <td>1 to 24</td> </tr> <tr> <td>1 to 22</td> <td>1 to 26</td> </tr> <tr> <td>1 to 23</td> <td>1 to 27</td> </tr> <tr> <td>2 to 1</td> <td>2 to 1</td> </tr> <tr> <td>3 to 1</td> <td>3 to 1</td> </tr> <tr> <td>4 to 1</td> <td>5 to 1</td> </tr> <tr> <td>5 to 1</td> <td>6 to 1</td> </tr> <tr> <td>6 to 1</td> <td>7 to 1</td> </tr> <tr> <td>7 to 1</td> <td>8 to 1</td> </tr> <tr> <td>8 to 1</td> <td>9 to 1</td> </tr> <tr> <td>9 to 1</td> <td>10 to 1</td> </tr> <tr> <td>16 to 1</td> <td>19 to 1</td> </tr> <tr> <td>17 to 1</td> <td>20 to 1</td> </tr> <tr> <td>18 to 1</td> <td>21 to 1</td> </tr> <tr> <td>19 to 1</td> <td>22 to 1</td> </tr> <tr> <td>20 to 1</td> <td>23 to 1</td> </tr> <tr> <td>21 to 1</td> <td>24 to 1</td> </tr> <tr> <td>22 to 1</td> <td>26 to 1</td> </tr> <tr> <td>23 to 1</td> <td>27 to 1</td> </tr> </table>	Pins D/F	Pins C	1 to 2	1 to 2	1 to 3	1 to 3	1 to 4	1 to 5	1 to 5	1 to 6	1 to 6	1 to 7	1 to 7	1 to 8	1 to 8	1 to 9	1 to 9	1 to 10	1 to 16	1 to 19	1 to 17	1 to 20	1 to 18	1 to 21	1 to 19	1 to 22	1 to 20	1 to 23	1 to 21	1 to 24	1 to 22	1 to 26	1 to 23	1 to 27	2 to 1	2 to 1	3 to 1	3 to 1	4 to 1	5 to 1	5 to 1	6 to 1	6 to 1	7 to 1	7 to 1	8 to 1	8 to 1	9 to 1	9 to 1	10 to 1	16 to 1	19 to 1	17 to 1	20 to 1	18 to 1	21 to 1	19 to 1	22 to 1	20 to 1	23 to 1	21 to 1	24 to 1	22 to 1	26 to 1	23 to 1	27 to 1	-	240	Ω
Pins D/F	Pins C																																																																									
1 to 2	1 to 2																																																																									
1 to 3	1 to 3																																																																									
1 to 4	1 to 5																																																																									
1 to 5	1 to 6																																																																									
1 to 6	1 to 7																																																																									
1 to 7	1 to 8																																																																									
1 to 8	1 to 9																																																																									
1 to 9	1 to 10																																																																									
1 to 16	1 to 19																																																																									
1 to 17	1 to 20																																																																									
1 to 18	1 to 21																																																																									
1 to 19	1 to 22																																																																									
1 to 20	1 to 23																																																																									
1 to 21	1 to 24																																																																									
1 to 22	1 to 26																																																																									
1 to 23	1 to 27																																																																									
2 to 1	2 to 1																																																																									
3 to 1	3 to 1																																																																									
4 to 1	5 to 1																																																																									
5 to 1	6 to 1																																																																									
6 to 1	7 to 1																																																																									
7 to 1	8 to 1																																																																									
8 to 1	9 to 1																																																																									
9 to 1	10 to 1																																																																									
16 to 1	19 to 1																																																																									
17 to 1	20 to 1																																																																									
18 to 1	21 to 1																																																																									
19 to 1	22 to 1																																																																									
20 to 1	23 to 1																																																																									
21 to 1	24 to 1																																																																									
22 to 1	26 to 1																																																																									
23 to 1	27 to 1																																																																									

**NOTES:** See Page 25.



**TABLE 2 - ELECTRICAL MEASUREMENTS AT ROOM TEMPERATURE - D.C. PARAMETERS (CONT'D)**

NO.	CHARACTERISTICS	SYMBOL	TEST METHOD MIL-STD 883	TEST FIG.	TEST CONDITIONS (PINS UNDER TEST D/F = DIP AND FP C = CCP)	LIMITS		UNIT
						MIN	MAX	
543	Input Voltage Low Level (Noise Immunity) (Functional Test)	$V_{IL1}$	-	4 (h)	Address and Inhibit Inputs: $V_{IL} = 1.5V_{dc}$ , $V_{IH} = 3.5V_{dc}$ Channel Inputs: $V_{IL} = 0V_{dc}$ , $V_{IH} = 5V_{dc}$ $V_{DD} = 5V_{dc}$ , $V_{SS} = 0V_{dc}$ Note 5 (Pins D/F 2-3-4-5-6-7-8-9- 16-17-18-19-20-21-22-23) (Pins C 2-3-5-6-7-8-9-10- 19-21-22-23-24-26-27)	-	0.5	V
	Input Voltage High Level (Noise Immunity) (Functional Test)	$V_{IH1}$				4.5	-	
544	Input Voltage Low Level (Noise Immunity) (Functional Test)	$V_{IL2}$	-	4 (h)	Address and Inhibit Inputs: $V_{IL} = 4V_{dc}$ , $V_{IH} = 11V_{dc}$ Channel Inputs: $V_{IL} = 0V_{dc}$ , $V_{IH} = 15V_{dc}$ $V_{DD} = 15V_{dc}$ , $V_{SS} = 0V_{dc}$ Note 5 (Pins D/F 2-3-4-5-6-7-8-9- 16-17-18-19-20-21-22-23) (Pins C 2-3-5-6-7-8-9-10- 19-21-22-23-24-26-27)	-	1.5	V
	Input Voltage High Level (Noise Immunity) (Functional Test)	$V_{IH2}$				13.5	-	
545	Threshold Voltage N-Channel	$V_{THN}$	-	4 (i)	Inhibit Input at Ground. All Other Inputs: $V_{IN} = 5V_{dc}$ $V_{DD} = 5V_{dc}$ , $I_{SS} = -10\mu A$ (Pin D/F 12) (Pin C 14)	-0.7	-3.0	V
546	Threshold Voltage P-Channel	$V_{THP}$	-	4 (j)	Inhibit Input at Ground. All Other Inputs: $V_{IN} = -5V_{dc}$ $V_{SS} = -5V_{dc}$ , $I_{DD} = 10\mu A$ (Pin D/F 24) (Pin C 28)	0.7	3.0	V
547 to 551	Input Clamp Voltage (to $V_{SS}$ )	$V_{IC1}$	-	4 (k)	$I_{IN}$ (Under Test) = $-100\mu A$ $V_{DD} = \text{Open}$ , $V_{SS} = 0V_{dc}$ All Other Pins Open (Pins D/F 10-11-13-14-15) (Pins C 12-13-15-16-17)	-	-2.0	V
552 to 556	Input Clamp Voltage (to $V_{DD}$ )	$V_{IC2}$	-	4 (l)	$V_{IN}$ (Under Test) = $6V_{dc}$ $V_{SS} = \text{Open}$ , $R = 30k\Omega$ (Pins D/F 10-11-13-14-15) (Pins C 12-13-15-16-17)	3.0	-	V

**NOTES:** See Page 25.

**TABLE 2 - ELECTRICAL MEASUREMENTS AT ROOM TEMPERATURE - A.C. PARAMETERS**

NO.	CHARACTERISTICS	SYMBOL	TEST METHOD MIL-STD 883	TEST FIG.	TEST CONDITIONS (PINS UNDER TEST D/F = DIP AND FP C = CCP)	LIMITS		UNIT
						MIN	MAX	
557 to 561	Input Capacitance Address or Inhibit	$C_{IN}$	3012	4 (m)	$V_{IN}$ (Not under Test) = 0Vdc $V_{DD} = V_{SS} = 0Vdc$ Note 6 (Pins D/F 10-11-13-14-15) (Pins C 12-13-15-16-17)	-	7.5	pF
562 to 577	Channel Capacitance (Input)	$C_{INC}$	3012	4 (n)	$V_{DD} = V_{SS} = 0Vdc$ Note 6 (Pins D/F 2-3-4-5-6-7-8-9-16-17-18-19-20-21-22-23) (Pins C 2-3-5-6-7-8-9-10-19-20-21-22-23-24-26-27)	-	7.5	pF
578	Channel Capacitance (Output)	$C_{OC}$	3012	4 (o)	$V_{DD} = V_{SS} = 0Vdc$ Note 6 (Pin D/F 1) (Pin C 1)	-	120	pF
579	Propagation Delay Address to Signal OUT (Channel turning ON)	$t_{PLH1}$	3003	4 (p)	$V_{IN}$ (Under Test) = Pulse Generator $V_{IL} = 0Vdc$ , $V_{IH} = 5Vdc$ $R_L = 10k\Omega$ $V_{DD} = 5Vdc$ , $V_{SS} = 0Vdc$ Note 7 <u>Pins D/F</u> <u>Pins C</u> 10 to 1      12 to 1	-	650	ns
580	Propagation Delay Inhibit to Signal OUT (Channel turning ON)	$t_{PLH2}$	3003	4 (p)	$V_{IN}$ (Under Test) = Pulse Generator $V_{IL} = 0Vdc$ , $V_{IH} = 5Vdc$ $R_L = 10k\Omega$ $V_{DD} = 5Vdc$ , $V_{SS} = 0Vdc$ Note 7 <u>Pins D/F</u> <u>Pins C</u> 15 to 1      17 to 1	-	650	ns
581	Propagation Delay Channel Input to Channel Output	$t_{PLH3}$	3003	4 (q)	$V_{IN}$ (Under Test) = Pulse Generator $V_{IL} = 0Vdc$ , $V_{IH} = 5Vdc$ $V_{IN}$ (All other channels) = 0Vdc $R_L = 200k\Omega$ $V_{DD} = 5Vdc$ , $V_{SS} = 0Vdc$ Note 7 <u>Pins D/F</u> <u>Pins C</u> 9 to 1        10 to 1	-	60	ns

**NOTES:** See Page 25.

**TABLE 2 - ELECTRICAL MEASUREMENTS AT ROOM TEMPERATURE - A.C. PARAMETERS (CONT'D)**

NO.	CHARACTERISTICS	SYMBOL	TEST METHOD MIL-STD 883	TEST FIG.	TEST CONDITIONS (PINS UNDER TEST D/F = DIP AND FP C = CCP)	LIMITS		UNIT
						MIN	MAX	
582	Propagation Delay Address to Signal OUT (Channel turning OFF)	t <sub>PHL1</sub>	3003	4 (p)	V <sub>IN</sub> (Under Test) = Pulse Generator V <sub>IL</sub> = 0Vdc, V <sub>IH</sub> = 5Vdc R <sub>L</sub> = 300Ω V <sub>DD</sub> = 5Vdc, V <sub>SS</sub> = 0Vdc Note 7 <u>Pins D/F</u> <u>Pins C</u> 10 to 1      12 to 1	-	440	ns
583	Propagation Delay Inhibit to Signal OUT (Channel turning OFF)	t <sub>PHL2</sub>	3003	4 (p)	V <sub>IN</sub> (Under Test) = Pulse Generator V <sub>IL</sub> = 0Vdc, V <sub>IH</sub> = 5Vdc R <sub>L</sub> = 300Ω V <sub>DD</sub> = 5Vdc, V <sub>SS</sub> = 0Vdc Note 7 <u>Pins D/F</u> <u>Pins C</u> 15 to 1      17 to 1	-	440	ns
584	Propagation Delay Channel Input to Channel Output	t <sub>PHL3</sub>	3003	4 (q)	V <sub>IN</sub> (Under Test) = Pulse Generator V <sub>IL</sub> = 0Vdc, V <sub>IH</sub> = 5Vdc V <sub>IN</sub> (All other channels) = 0Vdc R <sub>L</sub> = 200kΩ V <sub>DD</sub> = 5Vdc, V <sub>SS</sub> = 0Vdc Note 7 <u>Pins D/F</u> <u>Pins C</u> 9 to 1        10 to 1	-	60	ns

**NOTES**

- GO-NO-GO Test, each pattern of Test Table 4(a).  
VOH ≥ VDD - 0.5V      VOL ≤ 0.5V
- Maximum time to output comparator strobe 300μsec.
- Measure each value of IDD for the input conditions given in Table 4(b).
- For characterisation during qualification, the incremental method or the method shown in Figure 4(g)(ii), which incorporates a plotter, shall apply. For procurement, the Orderer may accept that the devices are tested go-no-go to the maximum limits of Table 2. In the case that go-no-go testing is performed, it is necessary that at least one discrete value shall be measured and recorded in order that drift values may be applied. Figure 4(g)(iii) shall be used for the discrete value measurement.
- This is performed as a Functional Test in which extreme VIN conditions are applied and output voltage is measured.
- Measurement performed on a sample basis LTPD 7, or less, with a Capacitance Bridge connected between each input under test and VSS, only for Lots where LAT Level 2 is to be performed. (For LTPD sampling plan, see Annexe I of ESA/SCC 9000).
- Measurement performed on a sample basis, LTPD 7 or less, (see Annexe I of ESA/SCC 9000).

**TABLE 3(a) - ELECTRICAL MEASUREMENTS AT HIGH TEMPERATURE, +125(+0 - 5) °C**

NO.	CHARACTERISTICS	SYMBOL	TEST METHOD MIL-STD 883	TEST FIG.	TEST CONDITIONS (PINS UNDER TEST D/F = DIP AND FP C = CCP)	LIMITS		UNIT
						MIN	MAX	
1	Functional Test	-	-	4 (a)	Verify Truth Table without Load. $V_{DD} = 3V_{dc}$ , $V_{SS} = 0V_{dc}$ Notes 1 and 2	-	-	-
2	Functional Test	-	-	4 (a)	Verify Truth Table without Load. $V_{DD} = 15V_{dc}$ , $V_{SS} = 0V_{dc}$ Notes 1 and 2	-	-	-
3 to 18	Quiescent Current	$I_{DD}$	3005	4 (b)	$V_{IL} = 0V_{dc}$ , $V_{IH} = 15V_{dc}$ $V_{DD} = 15V_{dc}$ , $V_{SS} = 0V_{dc}$ Note 3 (Pin D/F 24) (Pin C 28)	-	15	$\mu A$
19 to 23	Input Current Low Level Address or Inhibit	$I_{IL}$	3009	4 (c)	$V_{IN}$ (Under Test) = $0V_{dc}$ $V_{IN}$ (Other Inputs) = $15V_{dc}$ $V_{DD} = 15V_{dc}$ , $V_{SS} = 0V_{dc}$ (Pins D/F 10-11-13-14-15) (Pins C 12-13-15-16-17)	-	-100	nA
24 to 28	Input Current High Level Address or Inhibit	$I_{IH}$	3010	4 (d)	$V_{IN}$ (Under Test) = $15V_{dc}$ $V_{IN}$ (Other Inputs) = $0V_{dc}$ $V_{DD} = 15V_{dc}$ , $V_{SS} = 0V_{dc}$ (Pins D/F 10-11-13-14-15) (Pins C 12-13-15-16-17)	-	100	nA

**NOTES:** See Page 25.



**TABLE 3(a) - ELECTRICAL MEASUREMENTS AT HIGH TEMPERATURE, +125(+0 - 5) °C (CONT'D)**

NO.	CHARACTERISTICS	SYMBOL	TEST METHOD MIL-STD 883	TEST FIG.	TEST CONDITIONS (PINS UNDER TEST D/F = DIP AND FP C = CCP)	LIMITS		UNIT																																																																				
						MIN	MAX																																																																					
29 to 44	Channel Off Leakage Current (Any Channel)	I <sub>OFF1</sub>	-	4 (e)	V <sub>IN</sub> (INHIBIT) = 15Vdc V <sub>IN</sub> (Address Inputs) = 0Vdc V <sub>IN</sub> (CHANNEL I/O) = 15Vdc V <sub>IN</sub> (COMMON O/I) = 0Vdc V <sub>DD</sub> = 15Vdc, V <sub>SS</sub> = 0Vdc <table border="1"> <thead> <tr> <th colspan="2">Pins D/F</th> <th colspan="2">Pins C</th> </tr> </thead> <tbody> <tr><td>2 to 1</td><td>1</td><td>2 to 1</td><td>1</td></tr> <tr><td>3 to 1</td><td>1</td><td>3 to 1</td><td>1</td></tr> <tr><td>4 to 1</td><td>1</td><td>5 to 1</td><td>1</td></tr> <tr><td>5 to 1</td><td>1</td><td>6 to 1</td><td>1</td></tr> <tr><td>6 to 1</td><td>1</td><td>7 to 1</td><td>1</td></tr> <tr><td>7 to 1</td><td>1</td><td>8 to 1</td><td>1</td></tr> <tr><td>8 to 1</td><td>1</td><td>9 to 1</td><td>1</td></tr> <tr><td>9 to 1</td><td>1</td><td>10 to 1</td><td>1</td></tr> <tr><td>16 to 1</td><td>1</td><td>19 to 1</td><td>1</td></tr> <tr><td>17 to 1</td><td>1</td><td>20 to 1</td><td>1</td></tr> <tr><td>18 to 1</td><td>1</td><td>21 to 1</td><td>1</td></tr> <tr><td>19 to 1</td><td>1</td><td>22 to 1</td><td>1</td></tr> <tr><td>20 to 1</td><td>1</td><td>23 to 1</td><td>1</td></tr> <tr><td>21 to 1</td><td>1</td><td>24 to 1</td><td>1</td></tr> <tr><td>22 to 1</td><td>1</td><td>26 to 1</td><td>1</td></tr> <tr><td>23 to 1</td><td>1</td><td>27 to 1</td><td>1</td></tr> </tbody> </table>	Pins D/F		Pins C		2 to 1	1	2 to 1	1	3 to 1	1	3 to 1	1	4 to 1	1	5 to 1	1	5 to 1	1	6 to 1	1	6 to 1	1	7 to 1	1	7 to 1	1	8 to 1	1	8 to 1	1	9 to 1	1	9 to 1	1	10 to 1	1	16 to 1	1	19 to 1	1	17 to 1	1	20 to 1	1	18 to 1	1	21 to 1	1	19 to 1	1	22 to 1	1	20 to 1	1	23 to 1	1	21 to 1	1	24 to 1	1	22 to 1	1	26 to 1	1	23 to 1	1	27 to 1	1	-	-1.0	μA
Pins D/F		Pins C																																																																										
2 to 1	1	2 to 1	1																																																																									
3 to 1	1	3 to 1	1																																																																									
4 to 1	1	5 to 1	1																																																																									
5 to 1	1	6 to 1	1																																																																									
6 to 1	1	7 to 1	1																																																																									
7 to 1	1	8 to 1	1																																																																									
8 to 1	1	9 to 1	1																																																																									
9 to 1	1	10 to 1	1																																																																									
16 to 1	1	19 to 1	1																																																																									
17 to 1	1	20 to 1	1																																																																									
18 to 1	1	21 to 1	1																																																																									
19 to 1	1	22 to 1	1																																																																									
20 to 1	1	23 to 1	1																																																																									
21 to 1	1	24 to 1	1																																																																									
22 to 1	1	26 to 1	1																																																																									
23 to 1	1	27 to 1	1																																																																									
45 to 60	Channel Off Leakage Current (Any Channel)	I <sub>OFF2</sub>	-	4 (e)	V <sub>IN</sub> (INHIBIT) = 15Vdc V <sub>IN</sub> (Address Inputs) = 0Vdc V <sub>IN</sub> (CHANNEL I/O) = 0Vdc V <sub>IN</sub> (COMMON I/O) = 15Vdc V <sub>DD</sub> = 15Vdc, V <sub>SS</sub> = 0Vdc <table border="1"> <thead> <tr> <th colspan="2">Pins D/F</th> <th colspan="2">Pins C</th> </tr> </thead> <tbody> <tr><td>1 to 2</td><td>2</td><td>1 to 2</td><td>2</td></tr> <tr><td>1 to 3</td><td>3</td><td>1 to 3</td><td>3</td></tr> <tr><td>1 to 4</td><td>4</td><td>1 to 5</td><td>5</td></tr> <tr><td>1 to 5</td><td>5</td><td>1 to 6</td><td>6</td></tr> <tr><td>1 to 6</td><td>6</td><td>1 to 7</td><td>7</td></tr> <tr><td>1 to 7</td><td>7</td><td>1 to 8</td><td>8</td></tr> <tr><td>1 to 8</td><td>8</td><td>1 to 9</td><td>9</td></tr> <tr><td>1 to 9</td><td>9</td><td>1 to 10</td><td>10</td></tr> <tr><td>1 to 16</td><td>16</td><td>1 to 19</td><td>19</td></tr> <tr><td>1 to 17</td><td>17</td><td>1 to 20</td><td>20</td></tr> <tr><td>1 to 18</td><td>18</td><td>1 to 21</td><td>21</td></tr> <tr><td>1 to 19</td><td>19</td><td>1 to 22</td><td>22</td></tr> <tr><td>1 to 20</td><td>20</td><td>1 to 23</td><td>23</td></tr> <tr><td>1 to 21</td><td>21</td><td>1 to 24</td><td>24</td></tr> <tr><td>1 to 22</td><td>22</td><td>1 to 26</td><td>26</td></tr> <tr><td>1 to 23</td><td>23</td><td>1 to 27</td><td>27</td></tr> </tbody> </table>	Pins D/F		Pins C		1 to 2	2	1 to 2	2	1 to 3	3	1 to 3	3	1 to 4	4	1 to 5	5	1 to 5	5	1 to 6	6	1 to 6	6	1 to 7	7	1 to 7	7	1 to 8	8	1 to 8	8	1 to 9	9	1 to 9	9	1 to 10	10	1 to 16	16	1 to 19	19	1 to 17	17	1 to 20	20	1 to 18	18	1 to 21	21	1 to 19	19	1 to 22	22	1 to 20	20	1 to 23	23	1 to 21	21	1 to 24	24	1 to 22	22	1 to 26	26	1 to 23	23	1 to 27	27	-	1.0	μA
Pins D/F		Pins C																																																																										
1 to 2	2	1 to 2	2																																																																									
1 to 3	3	1 to 3	3																																																																									
1 to 4	4	1 to 5	5																																																																									
1 to 5	5	1 to 6	6																																																																									
1 to 6	6	1 to 7	7																																																																									
1 to 7	7	1 to 8	8																																																																									
1 to 8	8	1 to 9	9																																																																									
1 to 9	9	1 to 10	10																																																																									
1 to 16	16	1 to 19	19																																																																									
1 to 17	17	1 to 20	20																																																																									
1 to 18	18	1 to 21	21																																																																									
1 to 19	19	1 to 22	22																																																																									
1 to 20	20	1 to 23	23																																																																									
1 to 21	21	1 to 24	24																																																																									
1 to 22	22	1 to 26	26																																																																									
1 to 23	23	1 to 27	27																																																																									

**NOTES:** See Page 25.





**TABLE 3(a) - ELECTRICAL MEASUREMENTS AT HIGH TEMPERATURE, +125(+0 - 5) °C (CONT'D)**

NO.	CHARACTERISTICS	SYMBOL	TEST METHOD MIL-STD 883	TEST FIG.	TEST CONDITIONS (PINS UNDER TEST D/F = DIP AND FP C = CCP)	LIMITS		UNIT																																		
						MIN	MAX																																			
61	Channel Off Leakage Current (All Channels)	$I_{OFF3}$	-	4 (f)	$V_{IN}$ (INHIBIT) = 15Vdc $V_{IN}$ (Address Inputs) = 0Vdc $V_{IN}$ (ALL CHANNEL I/O) = 0Vdc $V_{IN}$ (COMMON O/I) = 15Vdc $V_{DD}$ = 15Vdc, $V_{SS}$ = 0Vdc <table border="1"> <thead> <tr> <th>Pins D/F</th> <th>Pins C</th> </tr> </thead> <tbody> <tr><td>1 to 2</td><td>1 to 2</td></tr> <tr><td>1 to 3</td><td>1 to 3</td></tr> <tr><td>1 to 4</td><td>1 to 5</td></tr> <tr><td>1 to 5</td><td>1 to 6</td></tr> <tr><td>1 to 6</td><td>1 to 7</td></tr> <tr><td>1 to 7</td><td>1 to 8</td></tr> <tr><td>1 to 8</td><td>1 to 9</td></tr> <tr><td>1 to 9</td><td>1 to 10</td></tr> <tr><td>1 to 16</td><td>1 to 19</td></tr> <tr><td>1 to 17</td><td>1 to 20</td></tr> <tr><td>1 to 18</td><td>1 to 21</td></tr> <tr><td>1 to 19</td><td>1 to 22</td></tr> <tr><td>1 to 20</td><td>1 to 23</td></tr> <tr><td>1 to 21</td><td>1 to 24</td></tr> <tr><td>1 to 22</td><td>1 to 26</td></tr> <tr><td>1 to 23</td><td>1 to 27</td></tr> </tbody> </table>	Pins D/F	Pins C	1 to 2	1 to 2	1 to 3	1 to 3	1 to 4	1 to 5	1 to 5	1 to 6	1 to 6	1 to 7	1 to 7	1 to 8	1 to 8	1 to 9	1 to 9	1 to 10	1 to 16	1 to 19	1 to 17	1 to 20	1 to 18	1 to 21	1 to 19	1 to 22	1 to 20	1 to 23	1 to 21	1 to 24	1 to 22	1 to 26	1 to 23	1 to 27	-	1.0	$\mu$ A
Pins D/F	Pins C																																									
1 to 2	1 to 2																																									
1 to 3	1 to 3																																									
1 to 4	1 to 5																																									
1 to 5	1 to 6																																									
1 to 6	1 to 7																																									
1 to 7	1 to 8																																									
1 to 8	1 to 9																																									
1 to 9	1 to 10																																									
1 to 16	1 to 19																																									
1 to 17	1 to 20																																									
1 to 18	1 to 21																																									
1 to 19	1 to 22																																									
1 to 20	1 to 23																																									
1 to 21	1 to 24																																									
1 to 22	1 to 26																																									
1 to 23	1 to 27																																									
62	Channel Off Leakage Current (All Channels)	$I_{OFF4}$	-	4 (f)	$V_{IN}$ (INHIBIT) = 15Vdc $V_{IN}$ (Address Inputs) = 0Vdc $V_{IN}$ (ALL CHANNEL I/O) = 15Vdc $V_{IN}$ (COMMON I/O) = 0Vdc $V_{DD}$ = 15Vdc, $V_{SS}$ = 0Vdc <table border="1"> <thead> <tr> <th>Pins D/F</th> <th>Pins C</th> </tr> </thead> <tbody> <tr><td>2 to 1</td><td>2 to 1</td></tr> <tr><td>3 to 1</td><td>3 to 1</td></tr> <tr><td>4 to 1</td><td>5 to 1</td></tr> <tr><td>5 to 1</td><td>6 to 1</td></tr> <tr><td>6 to 1</td><td>7 to 1</td></tr> <tr><td>7 to 1</td><td>8 to 1</td></tr> <tr><td>8 to 1</td><td>9 to 1</td></tr> <tr><td>9 to 1</td><td>10 to 1</td></tr> <tr><td>16 to 1</td><td>19 to 1</td></tr> <tr><td>17 to 1</td><td>20 to 1</td></tr> <tr><td>18 to 1</td><td>21 to 1</td></tr> <tr><td>19 to 1</td><td>22 to 1</td></tr> <tr><td>20 to 1</td><td>23 to 1</td></tr> <tr><td>21 to 1</td><td>24 to 1</td></tr> <tr><td>22 to 1</td><td>26 to 1</td></tr> <tr><td>23 to 1</td><td>27 to 1</td></tr> </tbody> </table>	Pins D/F	Pins C	2 to 1	2 to 1	3 to 1	3 to 1	4 to 1	5 to 1	5 to 1	6 to 1	6 to 1	7 to 1	7 to 1	8 to 1	8 to 1	9 to 1	9 to 1	10 to 1	16 to 1	19 to 1	17 to 1	20 to 1	18 to 1	21 to 1	19 to 1	22 to 1	20 to 1	23 to 1	21 to 1	24 to 1	22 to 1	26 to 1	23 to 1	27 to 1	-	-1.0	$\mu$ A
Pins D/F	Pins C																																									
2 to 1	2 to 1																																									
3 to 1	3 to 1																																									
4 to 1	5 to 1																																									
5 to 1	6 to 1																																									
6 to 1	7 to 1																																									
7 to 1	8 to 1																																									
8 to 1	9 to 1																																									
9 to 1	10 to 1																																									
16 to 1	19 to 1																																									
17 to 1	20 to 1																																									
18 to 1	21 to 1																																									
19 to 1	22 to 1																																									
20 to 1	23 to 1																																									
21 to 1	24 to 1																																									
22 to 1	26 to 1																																									
23 to 1	27 to 1																																									

**NOTES:** See Page 25.



**TABLE 3(a) - ELECTRICAL MEASUREMENTS AT HIGH TEMPERATURE, +125(+0 - 5) °C (CONT'D)**

NO.	CHARACTERISTICS	SYMBOL	TEST METHOD MIL-STD 883	TEST FIG.	TEST CONDITIONS (PINS UNDER TEST D/F = DIP AND FP C = CCP)	LIMITS		UNIT																																																																																																																																				
						MIN	MAX																																																																																																																																					
63 to 286	Channel On Resistance	R <sub>ON1</sub>	-	4 (g)	V <sub>IN</sub> (INHIBIT) = 0Vdc V <sub>IN</sub> (Address Inputs): V <sub>IL</sub> = 0Vdc, V <sub>IH</sub> = 5Vdc I <sub>IN</sub> = 100µAdc, R <sub>L</sub> = 10kΩ Channel Input Conditions: See Test Table Figure 4(g)(i). V <sub>DD</sub> = 5Vdc, V <sub>SS</sub> = 0Vdc Note 4 <table style="margin-left: 20px;"> <tr> <th colspan="2">Pins D/F</th> <th colspan="2">Pins C</th> </tr> <tr><td>1 to 2</td><td>2</td><td>1 to 2</td><td>2</td></tr> <tr><td>1 to 3</td><td>3</td><td>1 to 3</td><td>3</td></tr> <tr><td>1 to 4</td><td>4</td><td>1 to 5</td><td>5</td></tr> <tr><td>1 to 5</td><td>5</td><td>1 to 6</td><td>6</td></tr> <tr><td>1 to 6</td><td>6</td><td>1 to 7</td><td>7</td></tr> <tr><td>1 to 7</td><td>7</td><td>1 to 8</td><td>8</td></tr> <tr><td>1 to 8</td><td>8</td><td>1 to 9</td><td>9</td></tr> <tr><td>1 to 9</td><td>9</td><td>1 to 10</td><td>10</td></tr> <tr><td>1 to 16</td><td>16</td><td>1 to 19</td><td>19</td></tr> <tr><td>1 to 17</td><td>17</td><td>1 to 20</td><td>20</td></tr> <tr><td>1 to 18</td><td>18</td><td>1 to 21</td><td>21</td></tr> <tr><td>1 to 19</td><td>19</td><td>1 to 22</td><td>22</td></tr> <tr><td>1 to 20</td><td>20</td><td>1 to 23</td><td>23</td></tr> <tr><td>1 to 21</td><td>21</td><td>1 to 24</td><td>24</td></tr> <tr><td>1 to 22</td><td>22</td><td>1 to 26</td><td>26</td></tr> <tr><td>1 to 23</td><td>23</td><td>1 to 27</td><td>27</td></tr> <tr><td>2 to 1</td><td>1</td><td>2 to 1</td><td>1</td></tr> <tr><td>3 to 1</td><td>1</td><td>3 to 1</td><td>1</td></tr> <tr><td>4 to 1</td><td>1</td><td>5 to 1</td><td>1</td></tr> <tr><td>5 to 1</td><td>1</td><td>6 to 1</td><td>1</td></tr> <tr><td>6 to 1</td><td>1</td><td>7 to 1</td><td>1</td></tr> <tr><td>7 to 1</td><td>1</td><td>8 to 1</td><td>1</td></tr> <tr><td>8 to 1</td><td>1</td><td>9 to 1</td><td>1</td></tr> <tr><td>9 to 1</td><td>1</td><td>10 to 1</td><td>1</td></tr> <tr><td>16 to 1</td><td>1</td><td>19 to 1</td><td>1</td></tr> <tr><td>17 to 1</td><td>1</td><td>20 to 1</td><td>1</td></tr> <tr><td>18 to 1</td><td>1</td><td>21 to 1</td><td>1</td></tr> <tr><td>19 to 1</td><td>1</td><td>22 to 1</td><td>1</td></tr> <tr><td>20 to 1</td><td>1</td><td>23 to 1</td><td>1</td></tr> <tr><td>21 to 1</td><td>1</td><td>24 to 1</td><td>1</td></tr> <tr><td>22 to 1</td><td>1</td><td>26 to 1</td><td>1</td></tr> <tr><td>23 to 1</td><td>1</td><td>27 to 1</td><td>1</td></tr> </table>	Pins D/F		Pins C		1 to 2	2	1 to 2	2	1 to 3	3	1 to 3	3	1 to 4	4	1 to 5	5	1 to 5	5	1 to 6	6	1 to 6	6	1 to 7	7	1 to 7	7	1 to 8	8	1 to 8	8	1 to 9	9	1 to 9	9	1 to 10	10	1 to 16	16	1 to 19	19	1 to 17	17	1 to 20	20	1 to 18	18	1 to 21	21	1 to 19	19	1 to 22	22	1 to 20	20	1 to 23	23	1 to 21	21	1 to 24	24	1 to 22	22	1 to 26	26	1 to 23	23	1 to 27	27	2 to 1	1	2 to 1	1	3 to 1	1	3 to 1	1	4 to 1	1	5 to 1	1	5 to 1	1	6 to 1	1	6 to 1	1	7 to 1	1	7 to 1	1	8 to 1	1	8 to 1	1	9 to 1	1	9 to 1	1	10 to 1	1	16 to 1	1	19 to 1	1	17 to 1	1	20 to 1	1	18 to 1	1	21 to 1	1	19 to 1	1	22 to 1	1	20 to 1	1	23 to 1	1	21 to 1	1	24 to 1	1	22 to 1	1	26 to 1	1	23 to 1	1	27 to 1	1	-	1300	Ω
Pins D/F		Pins C																																																																																																																																										
1 to 2	2	1 to 2	2																																																																																																																																									
1 to 3	3	1 to 3	3																																																																																																																																									
1 to 4	4	1 to 5	5																																																																																																																																									
1 to 5	5	1 to 6	6																																																																																																																																									
1 to 6	6	1 to 7	7																																																																																																																																									
1 to 7	7	1 to 8	8																																																																																																																																									
1 to 8	8	1 to 9	9																																																																																																																																									
1 to 9	9	1 to 10	10																																																																																																																																									
1 to 16	16	1 to 19	19																																																																																																																																									
1 to 17	17	1 to 20	20																																																																																																																																									
1 to 18	18	1 to 21	21																																																																																																																																									
1 to 19	19	1 to 22	22																																																																																																																																									
1 to 20	20	1 to 23	23																																																																																																																																									
1 to 21	21	1 to 24	24																																																																																																																																									
1 to 22	22	1 to 26	26																																																																																																																																									
1 to 23	23	1 to 27	27																																																																																																																																									
2 to 1	1	2 to 1	1																																																																																																																																									
3 to 1	1	3 to 1	1																																																																																																																																									
4 to 1	1	5 to 1	1																																																																																																																																									
5 to 1	1	6 to 1	1																																																																																																																																									
6 to 1	1	7 to 1	1																																																																																																																																									
7 to 1	1	8 to 1	1																																																																																																																																									
8 to 1	1	9 to 1	1																																																																																																																																									
9 to 1	1	10 to 1	1																																																																																																																																									
16 to 1	1	19 to 1	1																																																																																																																																									
17 to 1	1	20 to 1	1																																																																																																																																									
18 to 1	1	21 to 1	1																																																																																																																																									
19 to 1	1	22 to 1	1																																																																																																																																									
20 to 1	1	23 to 1	1																																																																																																																																									
21 to 1	1	24 to 1	1																																																																																																																																									
22 to 1	1	26 to 1	1																																																																																																																																									
23 to 1	1	27 to 1	1																																																																																																																																									

**NOTES:** See Page 25.



**TABLE 3(a) - ELECTRICAL MEASUREMENTS AT HIGH TEMPERATURE, +125(+0 - 5) °C (CONT'D)**

NO.	CHARACTERISTICS	SYMBOL	TEST METHOD MIL-STD 883	TEST FIG.	TEST CONDITIONS (PINS UNDER TEST D/F = DIP AND FP C = CCP)	LIMITS		UNIT																																																																		
						MIN	MAX																																																																			
287 to 542	Channel On Resistance	R <sub>ON2</sub>	-	4 (g)	V <sub>IN</sub> (INHIBIT) = 0Vdc V <sub>IN</sub> (Address Inputs): V <sub>IL</sub> = 0Vdc, V <sub>IH</sub> = 15Vdc I <sub>IN</sub> = 100µAdc, R <sub>L</sub> = 10kΩ Channel Input Conditions: See Test Table Figure 4(g)(i). V <sub>DD</sub> = 15Vdc, V <sub>SS</sub> = 0Vdc Note 4 <table border="0" style="margin-left: 20px;"> <tr> <td style="text-align: center;"><u>Pins D/E</u></td> <td style="text-align: center;"><u>Pins C</u></td> </tr> <tr> <td>1 to 2</td> <td>1 to 2</td> </tr> <tr> <td>1 to 3</td> <td>1 to 3</td> </tr> <tr> <td>1 to 4</td> <td>1 to 5</td> </tr> <tr> <td>1 to 5</td> <td>1 to 6</td> </tr> <tr> <td>1 to 6</td> <td>1 to 7</td> </tr> <tr> <td>1 to 7</td> <td>1 to 8</td> </tr> <tr> <td>1 to 8</td> <td>1 to 9</td> </tr> <tr> <td>1 to 9</td> <td>1 to 10</td> </tr> <tr> <td>1 to 16</td> <td>1 to 19</td> </tr> <tr> <td>1 to 17</td> <td>1 to 20</td> </tr> <tr> <td>1 to 18</td> <td>1 to 21</td> </tr> <tr> <td>1 to 19</td> <td>1 to 22</td> </tr> <tr> <td>1 to 20</td> <td>1 to 23</td> </tr> <tr> <td>1 to 21</td> <td>1 to 24</td> </tr> <tr> <td>1 to 22</td> <td>1 to 26</td> </tr> <tr> <td>1 to 23</td> <td>1 to 27</td> </tr> <tr> <td>2 to 1</td> <td>2 to 1</td> </tr> <tr> <td>3 to 1</td> <td>3 to 1</td> </tr> <tr> <td>4 to 1</td> <td>5 to 1</td> </tr> <tr> <td>5 to 1</td> <td>6 to 1</td> </tr> <tr> <td>6 to 1</td> <td>7 to 1</td> </tr> <tr> <td>7 to 1</td> <td>8 to 1</td> </tr> <tr> <td>8 to 1</td> <td>9 to 1</td> </tr> <tr> <td>9 to 1</td> <td>10 to 1</td> </tr> <tr> <td>16 to 1</td> <td>19 to 1</td> </tr> <tr> <td>17 to 1</td> <td>20 to 1</td> </tr> <tr> <td>18 to 1</td> <td>21 to 1</td> </tr> <tr> <td>19 to 1</td> <td>22 to 1</td> </tr> <tr> <td>20 to 1</td> <td>23 to 1</td> </tr> <tr> <td>21 to 1</td> <td>24 to 1</td> </tr> <tr> <td>22 to 1</td> <td>26 to 1</td> </tr> <tr> <td>23 to 1</td> <td>27 to 1</td> </tr> </table>	<u>Pins D/E</u>	<u>Pins C</u>	1 to 2	1 to 2	1 to 3	1 to 3	1 to 4	1 to 5	1 to 5	1 to 6	1 to 6	1 to 7	1 to 7	1 to 8	1 to 8	1 to 9	1 to 9	1 to 10	1 to 16	1 to 19	1 to 17	1 to 20	1 to 18	1 to 21	1 to 19	1 to 22	1 to 20	1 to 23	1 to 21	1 to 24	1 to 22	1 to 26	1 to 23	1 to 27	2 to 1	2 to 1	3 to 1	3 to 1	4 to 1	5 to 1	5 to 1	6 to 1	6 to 1	7 to 1	7 to 1	8 to 1	8 to 1	9 to 1	9 to 1	10 to 1	16 to 1	19 to 1	17 to 1	20 to 1	18 to 1	21 to 1	19 to 1	22 to 1	20 to 1	23 to 1	21 to 1	24 to 1	22 to 1	26 to 1	23 to 1	27 to 1	-	320	Ω
<u>Pins D/E</u>	<u>Pins C</u>																																																																									
1 to 2	1 to 2																																																																									
1 to 3	1 to 3																																																																									
1 to 4	1 to 5																																																																									
1 to 5	1 to 6																																																																									
1 to 6	1 to 7																																																																									
1 to 7	1 to 8																																																																									
1 to 8	1 to 9																																																																									
1 to 9	1 to 10																																																																									
1 to 16	1 to 19																																																																									
1 to 17	1 to 20																																																																									
1 to 18	1 to 21																																																																									
1 to 19	1 to 22																																																																									
1 to 20	1 to 23																																																																									
1 to 21	1 to 24																																																																									
1 to 22	1 to 26																																																																									
1 to 23	1 to 27																																																																									
2 to 1	2 to 1																																																																									
3 to 1	3 to 1																																																																									
4 to 1	5 to 1																																																																									
5 to 1	6 to 1																																																																									
6 to 1	7 to 1																																																																									
7 to 1	8 to 1																																																																									
8 to 1	9 to 1																																																																									
9 to 1	10 to 1																																																																									
16 to 1	19 to 1																																																																									
17 to 1	20 to 1																																																																									
18 to 1	21 to 1																																																																									
19 to 1	22 to 1																																																																									
20 to 1	23 to 1																																																																									
21 to 1	24 to 1																																																																									
22 to 1	26 to 1																																																																									
23 to 1	27 to 1																																																																									

**NOTES:** See Page 25.



**TABLE 3(a) - ELECTRICAL MEASUREMENTS AT HIGH TEMPERATURE, +125(+0 - 5) °C (CONT'D)**

NO.	CHARACTERISTICS	SYMBOL	TEST METHOD MIL-STD 883	TEST FIG.	TEST CONDITIONS (PINS UNDER TEST D/F = DIP AND FP C = CCP)	LIMITS		UNIT
						MIN	MAX	
543	Input Voltage Low Level (Noise Immunity) (Functional Test)	$V_{IL1}$	-	4 (h)	Address and Inhibit Inputs: $V_{IL} = 1.5V_{dc}$ , $V_{IH} = 3.5V_{dc}$ Channel Inputs: $V_{IL} = 0V_{dc}$ , $V_{IH} = 5V_{dc}$ $V_{DD} = 5V_{dc}$ , $V_{SS} = 0V_{dc}$ Note 5 (Pins D/F 2-3-4-5-6-7-8-9- 16-17-18-19-20-21-22-23) (Pins C 2-3-5-6-7-8-9-10- 19-21-22-23-24-26-27)	-	0.5	V
	Input Voltage High Level (Noise Immunity) (Functional Test)	$V_{IH1}$				4.5	-	
544	Input Voltage Low Level (Noise Immunity) (Functional Test)	$V_{IL2}$	-	4 (h)	Address and Inhibit Inputs: $V_{IL} = 4V_{dc}$ , $V_{IH} = 11V_{dc}$ Channel Inputs: $V_{IL} = 0V_{dc}$ , $V_{IH} = 15V_{dc}$ $V_{DD} = 15V_{dc}$ , $V_{SS} = 0V_{dc}$ Note 5 (Pins D/F 2-3-4-5-6-7-8-9- 16-17-18-19-20-21-22-23) (Pins C 2-3-5-6-7-8-9-10- 19-21-22-23-24-26-27)	-	1.5	V
	Input Voltage High Level (Noise Immunity) (Functional Test)	$V_{IH2}$				13.5	-	
545	Threshold Voltage N-Channel	$V_{THN}$	-	4 (i)	Inhibit Input at Ground. All Other Inputs: $V_{IN} = 5V_{dc}$ $V_{DD} = 5V_{dc}$ , $I_{SS} = -10\mu A$ (Pin D/F 12) (Pin C 14)	-0.3	-3.5	V
546	Threshold Voltage P-Channel	$V_{THP}$	-	4 (j)	Inhibit Input at Ground. All Other Inputs: $V_{IN} = -5V_{dc}$ $V_{SS} = -5V_{dc}$ , $I_{DD} = 10\mu A$ (Pin D/F 24) (Pin C 28)	0.3	3.5	V

**NOTES:** See Page 25.

**TABLE 3(b) - ELECTRICAL MEASUREMENTS AT LOW TEMPERATURE, -55(+5-0) °C**

NO.	CHARACTERISTICS	SYMBOL	TEST METHOD MIL-STD 883	TEST FIG.	TEST CONDITIONS (PINS UNDER TEST D/F = DIP AND FP C = CCP)	LIMITS		UNIT
						MIN	MAX	
1	Functional Test	-	-	4 (a)	Verify Truth Table without Load. $V_{DD} = 3V_{dc}$ , $V_{SS} = 0V_{dc}$ Notes 1 and 2	-	-	-
2	Functional Test	-	-	4 (a)	Verify Truth Table without Load. $V_{DD} = 15V_{dc}$ , $V_{SS} = 0V_{dc}$ Notes 1 and 2	-	-	-
3 to 18	Quiescent Current	$I_{DD}$	3005	4 (b)	$V_{IL} = 0V_{dc}$ , $V_{IH} = 15V_{dc}$ $V_{DD} = 15V_{dc}$ , $V_{SS} = 0V_{dc}$ Note 3 (Pin D/F 24) (Pin C 28)	-	500	nA
19 to 23	Input Current Low Level Address or Inhibit	$I_{IL}$	3009	4 (c)	$V_{IN}$ (Under Test) = $0V_{dc}$ $V_{IN}$ (Other Inputs) = $15V_{dc}$ $V_{DD} = 15V_{dc}$ , $V_{SS} = 0V_{dc}$ (Pins D/F 10-11-13-14-15) (Pins C 12-13-15-16-17)	-	-50	nA
24 to 28	Input Current High Level Address or Inhibit	$I_{IH}$	3010	4 (d)	$V_{IN}$ (Under Test) = $15V_{dc}$ $V_{IN}$ (Other Inputs) = $0V_{dc}$ $V_{DD} = 15V_{dc}$ , $V_{SS} = 0V_{dc}$ (Pins D/F 10-11-13-14-15) (Pins C 12-13-15-16-17)	-	50	nA

**NOTES:** See Page 25.



**TABLE 3(b) - ELECTRICAL MEASUREMENTS AT LOW TEMPERATURE, - 55(+ 5 - 0) °C (CONT'D)**

NO.	CHARACTERISTICS	SYMBOL	TEST METHOD MIL-STD 883	TEST FIG.	TEST CONDITIONS (PINS UNDER TEST D/F = DIP AND FP C = CCP)	LIMITS		UNIT																																		
						MIN	MAX																																			
29 to 44	Channel Off Leakage Current (Any Channel)	$I_{OFF1}$	-	4 (e)	$V_{IN}$ (INHIBIT) = 15Vdc $V_{IN}$ (Address Inputs) = 0Vdc $V_{IN}$ (CHANNEL I/O) = 15Vdc $V_{IN}$ (COMMON O/I) = 0Vdc $V_{DD}$ = 15Vdc, $V_{SS}$ = 0Vdc <table border="1"> <thead> <tr> <th>Pins D/F</th> <th>Pins C</th> </tr> </thead> <tbody> <tr><td>2 to 1</td><td>2 to 1</td></tr> <tr><td>3 to 1</td><td>3 to 1</td></tr> <tr><td>4 to 1</td><td>5 to 1</td></tr> <tr><td>5 to 1</td><td>6 to 1</td></tr> <tr><td>6 to 1</td><td>7 to 1</td></tr> <tr><td>7 to 1</td><td>8 to 1</td></tr> <tr><td>8 to 1</td><td>9 to 1</td></tr> <tr><td>9 to 1</td><td>10 to 1</td></tr> <tr><td>16 to 1</td><td>19 to 1</td></tr> <tr><td>17 to 1</td><td>20 to 1</td></tr> <tr><td>18 to 1</td><td>21 to 1</td></tr> <tr><td>19 to 1</td><td>22 to 1</td></tr> <tr><td>20 to 1</td><td>23 to 1</td></tr> <tr><td>21 to 1</td><td>24 to 1</td></tr> <tr><td>22 to 1</td><td>26 to 1</td></tr> <tr><td>23 to 1</td><td>27 to 1</td></tr> </tbody> </table>	Pins D/F	Pins C	2 to 1	2 to 1	3 to 1	3 to 1	4 to 1	5 to 1	5 to 1	6 to 1	6 to 1	7 to 1	7 to 1	8 to 1	8 to 1	9 to 1	9 to 1	10 to 1	16 to 1	19 to 1	17 to 1	20 to 1	18 to 1	21 to 1	19 to 1	22 to 1	20 to 1	23 to 1	21 to 1	24 to 1	22 to 1	26 to 1	23 to 1	27 to 1	-	-100	nA
Pins D/F	Pins C																																									
2 to 1	2 to 1																																									
3 to 1	3 to 1																																									
4 to 1	5 to 1																																									
5 to 1	6 to 1																																									
6 to 1	7 to 1																																									
7 to 1	8 to 1																																									
8 to 1	9 to 1																																									
9 to 1	10 to 1																																									
16 to 1	19 to 1																																									
17 to 1	20 to 1																																									
18 to 1	21 to 1																																									
19 to 1	22 to 1																																									
20 to 1	23 to 1																																									
21 to 1	24 to 1																																									
22 to 1	26 to 1																																									
23 to 1	27 to 1																																									
45 to 60	Channel Off Leakage Current (Any Channel)	$I_{OFF2}$	-	4 (e)	$V_{IN}$ (INHIBIT) = 15Vdc $V_{IN}$ (Address Inputs) = 0Vdc $V_{IN}$ (CHANNEL I/O) = 0Vdc $V_{IN}$ (COMMON I/O) = 15Vdc $V_{DD}$ = 15Vdc, $V_{SS}$ = 0Vdc <table border="1"> <thead> <tr> <th>Pins D/F</th> <th>Pins C</th> </tr> </thead> <tbody> <tr><td>1 to 2</td><td>1 to 2</td></tr> <tr><td>1 to 3</td><td>1 to 3</td></tr> <tr><td>1 to 4</td><td>1 to 5</td></tr> <tr><td>1 to 5</td><td>1 to 6</td></tr> <tr><td>1 to 6</td><td>1 to 7</td></tr> <tr><td>1 to 7</td><td>1 to 8</td></tr> <tr><td>1 to 8</td><td>1 to 9</td></tr> <tr><td>1 to 9</td><td>1 to 10</td></tr> <tr><td>1 to 16</td><td>1 to 19</td></tr> <tr><td>1 to 17</td><td>1 to 20</td></tr> <tr><td>1 to 18</td><td>1 to 21</td></tr> <tr><td>1 to 19</td><td>1 to 22</td></tr> <tr><td>1 to 20</td><td>1 to 23</td></tr> <tr><td>1 to 21</td><td>1 to 24</td></tr> <tr><td>1 to 22</td><td>1 to 26</td></tr> <tr><td>1 to 23</td><td>1 to 27</td></tr> </tbody> </table>	Pins D/F	Pins C	1 to 2	1 to 2	1 to 3	1 to 3	1 to 4	1 to 5	1 to 5	1 to 6	1 to 6	1 to 7	1 to 7	1 to 8	1 to 8	1 to 9	1 to 9	1 to 10	1 to 16	1 to 19	1 to 17	1 to 20	1 to 18	1 to 21	1 to 19	1 to 22	1 to 20	1 to 23	1 to 21	1 to 24	1 to 22	1 to 26	1 to 23	1 to 27	-	100	nA
Pins D/F	Pins C																																									
1 to 2	1 to 2																																									
1 to 3	1 to 3																																									
1 to 4	1 to 5																																									
1 to 5	1 to 6																																									
1 to 6	1 to 7																																									
1 to 7	1 to 8																																									
1 to 8	1 to 9																																									
1 to 9	1 to 10																																									
1 to 16	1 to 19																																									
1 to 17	1 to 20																																									
1 to 18	1 to 21																																									
1 to 19	1 to 22																																									
1 to 20	1 to 23																																									
1 to 21	1 to 24																																									
1 to 22	1 to 26																																									
1 to 23	1 to 27																																									

**NOTES:** See Page 25.



**TABLE 3(b) - ELECTRICAL MEASUREMENTS AT LOW TEMPERATURE, - 55(+ 5 - 0) °C (CONT'D)**

NO.	CHARACTERISTICS	SYMBOL	TEST METHOD MIL-STD 883	TEST FIG.	TEST CONDITIONS (PINS UNDER TEST D/F = DIP AND FP C = CCP)	LIMITS		UNIT																																		
						MIN	MAX																																			
61	Channel Off Leakage Current (All Channels)	I <sub>OFF3</sub>	-	4 (f)	V <sub>IN</sub> (INHIBIT) = 15Vdc V <sub>IN</sub> (Address Inputs) = 0Vdc V <sub>IN</sub> (ALL CHANNEL I/O) = 0Vdc V <sub>IN</sub> (COMMON O/I) = 15Vdc V <sub>DD</sub> = 15Vdc, V <sub>SS</sub> = 0Vdc <table border="1"> <thead> <tr> <th>Pins D/F</th> <th>Pins C</th> </tr> </thead> <tbody> <tr><td>1 to 2</td><td>1 to 2</td></tr> <tr><td>1 to 3</td><td>1 to 3</td></tr> <tr><td>1 to 4</td><td>1 to 5</td></tr> <tr><td>1 to 5</td><td>1 to 6</td></tr> <tr><td>1 to 6</td><td>1 to 7</td></tr> <tr><td>1 to 7</td><td>1 to 8</td></tr> <tr><td>1 to 8</td><td>1 to 9</td></tr> <tr><td>1 to 9</td><td>1 to 10</td></tr> <tr><td>1 to 16</td><td>1 to 19</td></tr> <tr><td>1 to 17</td><td>1 to 20</td></tr> <tr><td>1 to 18</td><td>1 to 21</td></tr> <tr><td>1 to 19</td><td>1 to 22</td></tr> <tr><td>1 to 20</td><td>1 to 23</td></tr> <tr><td>1 to 21</td><td>1 to 24</td></tr> <tr><td>1 to 22</td><td>1 to 26</td></tr> <tr><td>1 to 23</td><td>1 to 27</td></tr> </tbody> </table>	Pins D/F	Pins C	1 to 2	1 to 2	1 to 3	1 to 3	1 to 4	1 to 5	1 to 5	1 to 6	1 to 6	1 to 7	1 to 7	1 to 8	1 to 8	1 to 9	1 to 9	1 to 10	1 to 16	1 to 19	1 to 17	1 to 20	1 to 18	1 to 21	1 to 19	1 to 22	1 to 20	1 to 23	1 to 21	1 to 24	1 to 22	1 to 26	1 to 23	1 to 27	-	100	nA
Pins D/F	Pins C																																									
1 to 2	1 to 2																																									
1 to 3	1 to 3																																									
1 to 4	1 to 5																																									
1 to 5	1 to 6																																									
1 to 6	1 to 7																																									
1 to 7	1 to 8																																									
1 to 8	1 to 9																																									
1 to 9	1 to 10																																									
1 to 16	1 to 19																																									
1 to 17	1 to 20																																									
1 to 18	1 to 21																																									
1 to 19	1 to 22																																									
1 to 20	1 to 23																																									
1 to 21	1 to 24																																									
1 to 22	1 to 26																																									
1 to 23	1 to 27																																									
62	Channel Off Leakage Current (All Channels)	I <sub>OFF4</sub>	-	4 (f)	V <sub>IN</sub> (INHIBIT) = 15Vdc V <sub>IN</sub> (Address Inputs) = 0Vdc V <sub>IN</sub> (ALL CHANNEL I/O) = 15Vdc V <sub>IN</sub> (COMMON I/O) = 0Vdc V <sub>DD</sub> = 15Vdc, V <sub>SS</sub> = 0Vdc <table border="1"> <thead> <tr> <th>Pins D/F</th> <th>Pins C</th> </tr> </thead> <tbody> <tr><td>2 to 1</td><td>2 to 1</td></tr> <tr><td>3 to 1</td><td>3 to 1</td></tr> <tr><td>4 to 1</td><td>5 to 1</td></tr> <tr><td>5 to 1</td><td>6 to 1</td></tr> <tr><td>6 to 1</td><td>7 to 1</td></tr> <tr><td>7 to 1</td><td>8 to 1</td></tr> <tr><td>8 to 1</td><td>9 to 1</td></tr> <tr><td>9 to 1</td><td>10 to 1</td></tr> <tr><td>16 to 1</td><td>19 to 1</td></tr> <tr><td>17 to 1</td><td>20 to 1</td></tr> <tr><td>18 to 1</td><td>21 to 1</td></tr> <tr><td>19 to 1</td><td>22 to 1</td></tr> <tr><td>20 to 1</td><td>23 to 1</td></tr> <tr><td>21 to 1</td><td>24 to 1</td></tr> <tr><td>22 to 1</td><td>26 to 1</td></tr> <tr><td>23 to 1</td><td>27 to 1</td></tr> </tbody> </table>	Pins D/F	Pins C	2 to 1	2 to 1	3 to 1	3 to 1	4 to 1	5 to 1	5 to 1	6 to 1	6 to 1	7 to 1	7 to 1	8 to 1	8 to 1	9 to 1	9 to 1	10 to 1	16 to 1	19 to 1	17 to 1	20 to 1	18 to 1	21 to 1	19 to 1	22 to 1	20 to 1	23 to 1	21 to 1	24 to 1	22 to 1	26 to 1	23 to 1	27 to 1	-	-100	nA
Pins D/F	Pins C																																									
2 to 1	2 to 1																																									
3 to 1	3 to 1																																									
4 to 1	5 to 1																																									
5 to 1	6 to 1																																									
6 to 1	7 to 1																																									
7 to 1	8 to 1																																									
8 to 1	9 to 1																																									
9 to 1	10 to 1																																									
16 to 1	19 to 1																																									
17 to 1	20 to 1																																									
18 to 1	21 to 1																																									
19 to 1	22 to 1																																									
20 to 1	23 to 1																																									
21 to 1	24 to 1																																									
22 to 1	26 to 1																																									
23 to 1	27 to 1																																									

**NOTES:** See Page 25.



**TABLE 3(b) - ELECTRICAL MEASUREMENTS AT LOW TEMPERATURE, -55(+5-0) °C (CONT'D)**

NO.	CHARACTERISTICS	SYMBOL	TEST METHOD MIL-STD 883	TEST FIG.	TEST CONDITIONS (PINS UNDER TEST D/F = DIP AND FP C = CCP)	LIMITS		UNIT																																																																		
						MIN	MAX																																																																			
63 to 286	Channel On Resistance	R <sub>ON1</sub>	-	4 (g)	V <sub>IN</sub> (INHIBIT) = 0Vdc V <sub>IN</sub> (Address Inputs): V <sub>IL</sub> = 0Vdc, V <sub>IH</sub> = 5Vdc I <sub>IN</sub> = 100µAdc, R <sub>L</sub> = 10kΩ Channel Input Conditions: See Test Table Figure 4(g)(i). V <sub>DD</sub> = 5Vdc, V <sub>SS</sub> = 0Vdc Note 4 <table style="margin-left: 20px;"> <tr> <td><u>Pins D/F</u></td> <td><u>Pins C</u></td> </tr> <tr><td>1 to 2</td><td>1 to 2</td></tr> <tr><td>1 to 3</td><td>1 to 3</td></tr> <tr><td>1 to 4</td><td>1 to 5</td></tr> <tr><td>1 to 5</td><td>1 to 6</td></tr> <tr><td>1 to 6</td><td>1 to 7</td></tr> <tr><td>1 to 7</td><td>1 to 8</td></tr> <tr><td>1 to 8</td><td>1 to 9</td></tr> <tr><td>1 to 9</td><td>1 to 10</td></tr> <tr><td>1 to 16</td><td>1 to 19</td></tr> <tr><td>1 to 17</td><td>1 to 20</td></tr> <tr><td>1 to 18</td><td>1 to 21</td></tr> <tr><td>1 to 19</td><td>1 to 22</td></tr> <tr><td>1 to 20</td><td>1 to 23</td></tr> <tr><td>1 to 21</td><td>1 to 24</td></tr> <tr><td>1 to 22</td><td>1 to 26</td></tr> <tr><td>1 to 23</td><td>1 to 27</td></tr> <tr><td>2 to 1</td><td>2 to 1</td></tr> <tr><td>3 to 1</td><td>3 to 1</td></tr> <tr><td>4 to 1</td><td>5 to 1</td></tr> <tr><td>5 to 1</td><td>6 to 1</td></tr> <tr><td>6 to 1</td><td>7 to 1</td></tr> <tr><td>7 to 1</td><td>8 to 1</td></tr> <tr><td>8 to 1</td><td>9 to 1</td></tr> <tr><td>9 to 1</td><td>10 to 1</td></tr> <tr><td>16 to 1</td><td>19 to 1</td></tr> <tr><td>17 to 1</td><td>20 to 1</td></tr> <tr><td>18 to 1</td><td>21 to 1</td></tr> <tr><td>19 to 1</td><td>22 to 1</td></tr> <tr><td>20 to 1</td><td>23 to 1</td></tr> <tr><td>21 to 1</td><td>24 to 1</td></tr> <tr><td>22 to 1</td><td>26 to 1</td></tr> <tr><td>23 to 1</td><td>27 to 1</td></tr> </table>	<u>Pins D/F</u>	<u>Pins C</u>	1 to 2	1 to 2	1 to 3	1 to 3	1 to 4	1 to 5	1 to 5	1 to 6	1 to 6	1 to 7	1 to 7	1 to 8	1 to 8	1 to 9	1 to 9	1 to 10	1 to 16	1 to 19	1 to 17	1 to 20	1 to 18	1 to 21	1 to 19	1 to 22	1 to 20	1 to 23	1 to 21	1 to 24	1 to 22	1 to 26	1 to 23	1 to 27	2 to 1	2 to 1	3 to 1	3 to 1	4 to 1	5 to 1	5 to 1	6 to 1	6 to 1	7 to 1	7 to 1	8 to 1	8 to 1	9 to 1	9 to 1	10 to 1	16 to 1	19 to 1	17 to 1	20 to 1	18 to 1	21 to 1	19 to 1	22 to 1	20 to 1	23 to 1	21 to 1	24 to 1	22 to 1	26 to 1	23 to 1	27 to 1	-	800	Ω
<u>Pins D/F</u>	<u>Pins C</u>																																																																									
1 to 2	1 to 2																																																																									
1 to 3	1 to 3																																																																									
1 to 4	1 to 5																																																																									
1 to 5	1 to 6																																																																									
1 to 6	1 to 7																																																																									
1 to 7	1 to 8																																																																									
1 to 8	1 to 9																																																																									
1 to 9	1 to 10																																																																									
1 to 16	1 to 19																																																																									
1 to 17	1 to 20																																																																									
1 to 18	1 to 21																																																																									
1 to 19	1 to 22																																																																									
1 to 20	1 to 23																																																																									
1 to 21	1 to 24																																																																									
1 to 22	1 to 26																																																																									
1 to 23	1 to 27																																																																									
2 to 1	2 to 1																																																																									
3 to 1	3 to 1																																																																									
4 to 1	5 to 1																																																																									
5 to 1	6 to 1																																																																									
6 to 1	7 to 1																																																																									
7 to 1	8 to 1																																																																									
8 to 1	9 to 1																																																																									
9 to 1	10 to 1																																																																									
16 to 1	19 to 1																																																																									
17 to 1	20 to 1																																																																									
18 to 1	21 to 1																																																																									
19 to 1	22 to 1																																																																									
20 to 1	23 to 1																																																																									
21 to 1	24 to 1																																																																									
22 to 1	26 to 1																																																																									
23 to 1	27 to 1																																																																									

**NOTES:** See Page 25.





**TABLE 3(b) - ELECTRICAL MEASUREMENTS AT LOW TEMPERATURE, - 55(+ 5 - 0) °C (CONT'D)**

NO.	CHARACTERISTICS	SYMBOL	TEST METHOD MIL-STD 883	TEST FIG.	TEST CONDITIONS (PINS UNDER TEST D/F = DIP AND FP C = CCP)	LIMITS		UNIT																																																																		
						MIN	MAX																																																																			
287 to 542	Channel On Resistance	R <sub>ON2</sub>	-	4 (g)	V <sub>IN</sub> (INHIBIT) = 0Vdc V <sub>IN</sub> (Address Inputs): V <sub>IL</sub> = 0Vdc, V <sub>IH</sub> = 15Vdc I <sub>IN</sub> = 100µAdc, R <sub>L</sub> = 10kΩ Channel Input Conditions: See Test Table Figure 4(g)(i). V <sub>DD</sub> = 15Vdc, V <sub>SS</sub> = 0Vdc Note 4 <table style="margin-left: 20px;"> <tr> <th>Pins D/F</th> <th>Pins C</th> </tr> <tr><td>1 to 2</td><td>1 to 2</td></tr> <tr><td>1 to 3</td><td>1 to 3</td></tr> <tr><td>1 to 4</td><td>1 to 5</td></tr> <tr><td>1 to 5</td><td>1 to 6</td></tr> <tr><td>1 to 6</td><td>1 to 7</td></tr> <tr><td>1 to 7</td><td>1 to 8</td></tr> <tr><td>1 to 8</td><td>1 to 9</td></tr> <tr><td>1 to 9</td><td>1 to 10</td></tr> <tr><td>1 to 16</td><td>1 to 19</td></tr> <tr><td>1 to 17</td><td>1 to 20</td></tr> <tr><td>1 to 18</td><td>1 to 21</td></tr> <tr><td>1 to 19</td><td>1 to 22</td></tr> <tr><td>1 to 20</td><td>1 to 23</td></tr> <tr><td>1 to 21</td><td>1 to 24</td></tr> <tr><td>1 to 22</td><td>1 to 26</td></tr> <tr><td>1 to 23</td><td>1 to 27</td></tr> <tr><td>2 to 1</td><td>2 to 1</td></tr> <tr><td>3 to 1</td><td>3 to 1</td></tr> <tr><td>4 to 1</td><td>5 to 1</td></tr> <tr><td>5 to 1</td><td>6 to 1</td></tr> <tr><td>6 to 1</td><td>7 to 1</td></tr> <tr><td>7 to 1</td><td>8 to 1</td></tr> <tr><td>8 to 1</td><td>9 to 1</td></tr> <tr><td>9 to 1</td><td>10 to 1</td></tr> <tr><td>16 to 1</td><td>19 to 1</td></tr> <tr><td>17 to 1</td><td>20 to 1</td></tr> <tr><td>18 to 1</td><td>21 to 1</td></tr> <tr><td>19 to 1</td><td>22 to 1</td></tr> <tr><td>20 to 1</td><td>23 to 1</td></tr> <tr><td>21 to 1</td><td>24 to 1</td></tr> <tr><td>22 to 1</td><td>26 to 1</td></tr> <tr><td>23 to 1</td><td>27 to 1</td></tr> </table>	Pins D/F	Pins C	1 to 2	1 to 2	1 to 3	1 to 3	1 to 4	1 to 5	1 to 5	1 to 6	1 to 6	1 to 7	1 to 7	1 to 8	1 to 8	1 to 9	1 to 9	1 to 10	1 to 16	1 to 19	1 to 17	1 to 20	1 to 18	1 to 21	1 to 19	1 to 22	1 to 20	1 to 23	1 to 21	1 to 24	1 to 22	1 to 26	1 to 23	1 to 27	2 to 1	2 to 1	3 to 1	3 to 1	4 to 1	5 to 1	5 to 1	6 to 1	6 to 1	7 to 1	7 to 1	8 to 1	8 to 1	9 to 1	9 to 1	10 to 1	16 to 1	19 to 1	17 to 1	20 to 1	18 to 1	21 to 1	19 to 1	22 to 1	20 to 1	23 to 1	21 to 1	24 to 1	22 to 1	26 to 1	23 to 1	27 to 1	-	200	Ω
Pins D/F	Pins C																																																																									
1 to 2	1 to 2																																																																									
1 to 3	1 to 3																																																																									
1 to 4	1 to 5																																																																									
1 to 5	1 to 6																																																																									
1 to 6	1 to 7																																																																									
1 to 7	1 to 8																																																																									
1 to 8	1 to 9																																																																									
1 to 9	1 to 10																																																																									
1 to 16	1 to 19																																																																									
1 to 17	1 to 20																																																																									
1 to 18	1 to 21																																																																									
1 to 19	1 to 22																																																																									
1 to 20	1 to 23																																																																									
1 to 21	1 to 24																																																																									
1 to 22	1 to 26																																																																									
1 to 23	1 to 27																																																																									
2 to 1	2 to 1																																																																									
3 to 1	3 to 1																																																																									
4 to 1	5 to 1																																																																									
5 to 1	6 to 1																																																																									
6 to 1	7 to 1																																																																									
7 to 1	8 to 1																																																																									
8 to 1	9 to 1																																																																									
9 to 1	10 to 1																																																																									
16 to 1	19 to 1																																																																									
17 to 1	20 to 1																																																																									
18 to 1	21 to 1																																																																									
19 to 1	22 to 1																																																																									
20 to 1	23 to 1																																																																									
21 to 1	24 to 1																																																																									
22 to 1	26 to 1																																																																									
23 to 1	27 to 1																																																																									

**NOTES:** See Page 25.



**TABLE 3(b) - ELECTRICAL MEASUREMENTS AT LOW TEMPERATURE, -55(+5 - 0) °C (CONT'D)**

NO.	CHARACTERISTICS	SYMBOL	TEST METHOD MIL-STD 883	TEST FIG.	TEST CONDITIONS (PINS UNDER TEST D/F = DIP AND FP C = CCP)	LIMITS		UNIT
						MIN	MAX	
543	Input Voltage Low Level (Noise Immunity) (Functional Test)	$V_{IL1}$	-	4 (h)	Address and Inhibit Inputs: $V_{IL} = 1.5V_{dc}$ , $V_{IH} = 3.5V_{dc}$ Channel Inputs: $V_{IL} = 0V_{dc}$ , $V_{IH} = 5V_{dc}$ $V_{DD} = 5V_{dc}$ , $V_{SS} = 0V_{dc}$ Note 5 (Pins D/F 2-3-4-5-6-7-8-9- 16-17-18-19-20-21-22-23) (Pins C 2-3-5-6-7-8-9-10- 19-21-22-23-24-26-27)	-	0.5	V
	Input Voltage High Level (Noise Immunity) (Functional Test)	$V_{IH1}$				4.5	-	
544	Input Voltage Low Level (Noise Immunity) (Functional Test)	$V_{IL2}$	-	4 (h)	Address and Inhibit Inputs: $V_{IL} = 4V_{dc}$ , $V_{IH} = 11V_{dc}$ Channel Inputs: $V_{IL} = 0V_{dc}$ , $V_{IH} = 15V_{dc}$ $V_{DD} = 15V_{dc}$ , $V_{SS} = 0V_{dc}$ Note 5 (Pins D/F 2-3-4-5-6-7-8-9- 16-17-18-19-20-21-22-23) (Pins C 2-3-5-6-7-8-9-10- 19-21-22-23-24-26-27)	-	1.5	V
	Input Voltage High Level (Noise Immunity) (Functional Test)	$V_{IH2}$				13.5	-	
545	Threshold Voltage N-Channel	$V_{THN}$	-	4 (i)	Inhibit Input at Ground. All Other Inputs: $V_{IN} = 5V_{dc}$ $V_{DD} = 5V_{dc}$ , $I_{SS} = -10\mu A$ (Pin D/F 12) (Pin C 14)	-0.7	-3.5	V
546	Threshold Voltage P-Channel	$V_{THP}$	-	4 (j)	Inhibit Input at Ground. All Other Inputs: $V_{IN} = -5V_{dc}$ $V_{SS} = -5V_{dc}$ , $I_{DD} = 10\mu A$ (Pin D/F 24) (Pin C 28)	0.7	3.5	V

**NOTES:** See Page 25.







**FIGURE 4 - CIRCUITS FOR ELECTRICAL MEASUREMENTS (CONTINUED)**

FIGURE 4 (a) - FUNCTIONAL TEST TABLE (CONT'D)

PATTERN NO.	PIN NUMBERS																							D.C. SUPPLY	
	1	2	3	4	5	6	7	8	9	10	11	13	14	15	16	17	18	19	20	21	22	23	12	24	
89	1	0	0	0	0	0	0	0	0	0	0	1	0	0	0	0	0	0	0	0	0	1	0	V <sub>DD</sub>	
90	1	0	0	0	0	0	0	0	0	1	0	1	0	0	0	0	0	0	0	0	1	0			
91	1	0	0	0	0	0	0	0	0	0	0	1	0	0	0	0	0	0	0	0	0	1			
92	1	0	0	0	0	0	0	0	0	0	1	1	0	0	0	0	0	0	0	0	1	0			
93	1	0	0	0	0	0	0	0	0	0	0	1	0	0	0	0	0	0	0	0	0	1			
94	1	0	0	0	0	0	0	0	0	0	0	1	1	0	0	0	0	1	0	0	0	0			
95	1	0	0	0	0	0	0	0	0	0	0	1	0	0	0	0	0	0	0	0	0	0			
96	1	0	0	0	0	0	0	0	1	0	0	0	0	0	0	0	0	0	0	0	0	0			
97	1	0	0	0	0	0	0	0	0	0	0	1	0	0	0	0	0	0	0	0	0	1			
98	1	0	0	0	0	0	0	0	0	0	0	1	0	1	0	0	0	0	0	0	0	0			
99	1	0	0	0	0	0	0	0	0	0	0	1	0	0	0	0	0	0	0	0	0	1			
100	1	0	0	0	0	0	0	0	0	1	0	1	0	0	0	0	0	0	0	0	1	0			
101	1	0	0	0	0	0	0	0	0	0	0	1	0	0	0	0	0	0	0	0	0	1			
102	1	0	0	0	0	0	0	0	0	1	0	1	0	0	0	0	0	0	0	0	1	0			
103	1	0	0	0	0	0	0	0	0	1	1	1	0	0	0	0	0	0	1	0	0	0			
104	1	0	0	0	0	0	0	0	0	1	0	1	0	0	0	0	0	0	0	0	1	0			
105	1	0	0	0	0	0	0	0	0	1	0	1	1	0	0	0	1	0	0	0	0	0			
106	1	0	0	0	0	0	0	0	0	1	0	1	0	0	0	0	0	0	0	0	1	0			
107	1	0	0	0	0	0	0	1	0	1	0	0	0	0	0	0	0	0	0	0	0	0			
108	1	0	0	0	0	0	0	0	0	1	0	1	0	0	0	0	0	0	0	0	1	0			
109	1	0	0	0	0	0	0	0	0	1	0	1	0	1	0	0	0	0	0	0	0	0			
110	1	0	0	0	0	0	0	0	0	1	0	1	0	0	0	0	0	0	0	0	1	0			
111	1	0	0	0	0	0	0	0	0	0	1	1	0	0	0	0	0	0	0	1	0	0			
112	1	0	0	0	0	0	0	0	0	1	1	1	0	0	0	0	0	0	1	0	0	0			
113	1	0	0	0	0	0	0	0	0	0	1	1	0	0	0	0	0	0	0	1	0	0			
114	1	0	0	0	0	0	0	0	0	0	1	0	0	0	0	0	0	0	0	0	0	1			
115	1	0	0	0	0	0	0	0	0	0	1	1	0	0	0	0	0	0	0	1	0	0			
116	1	0	0	0	0	0	0	0	0	0	1	1	1	0	0	1	0	0	0	0	0	0			
117	1	0	0	0	0	0	0	0	0	0	1	1	0	0	0	0	0	0	0	1	0	0			
118	1	0	0	0	0	0	1	0	0	0	1	0	0	0	0	0	0	0	0	0	0	0			
119	1	0	0	0	0	0	0	0	0	0	1	1	0	0	0	0	0	0	0	1	0	0			
120	1	0	0	0	0	0	0	0	0	0	1	1	0	1	0	0	0	0	0	0	0	0			
121	1	0	0	0	0	0	0	0	0	0	1	1	0	0	0	0	0	0	0	1	0	0			
122	1	0	0	0	0	0	0	0	0	1	1	1	0	0	0	0	0	0	0	1	0	0			
123	1	0	0	0	0	0	0	0	0	0	1	1	0	0	0	0	0	0	0	1	0	0			
124	1	0	0	0	0	0	0	0	0	1	1	1	0	0	0	0	0	0	0	1	0	0			
125	1	0	0	0	0	0	0	0	0	1	0	1	0	0	0	0	0	0	0	0	1	0			
126	1	0	0	0	0	0	0	0	0	1	1	1	0	0	0	0	0	0	1	0	0	0			
127	1	0	0	0	0	0	0	0	0	1	1	1	1	0	1	0	0	0	0	0	0	0			
128	1	0	0	0	0	0	0	0	0	1	1	1	0	0	0	0	0	0	0	1	0	0			
129	1	0	0	0	0	1	0	0	0	1	1	0	0	0	0	0	0	0	0	0	0	0			
130	1	0	0	0	0	0	0	0	0	1	1	1	0	0	0	0	0	0	0	1	0	0			
131	1	0	0	0	0	0	0	0	0	1	1	1	0	1	0	0	0	0	0	0	0	0			
132	1	0	0	0	0	0	0	0	0	1	1	1	0	0	0	0	0	0	0	1	0	0			

**NOTES:** See Page 42.



**FIGURE 4 - CIRCUITS FOR ELECTRICAL MEASUREMENTS (CONTINUED)**

FIGURE 4 (a) - FUNCTIONAL TEST TABLE (CONT'D)

**NOTES**

1. Figure 4 (a) illustrates one series of Test Patterns. Any other test pattern series must be agreed with the Qualifying Space Agency and shall be included as an Appendix.
  
2. Test Set-up:
  - Common Switch Output connected to  $V_{DD}$  supply.
  - Switch Inputs connected individually through  $33k\Omega$  to  $V_{SS}$  supply and to the digital comparator and through  $100k\Omega$  at  $V_{DD} = 3V_{dc}$ .
  
3. Logic Level Definitions:  $1 = V_{IH} = V_{DD}$ ,  $0 = V_{IL} = V_{SS}$ .

FIGURE 4 (b) - QUIESCENT CURRENT TEST TABLE

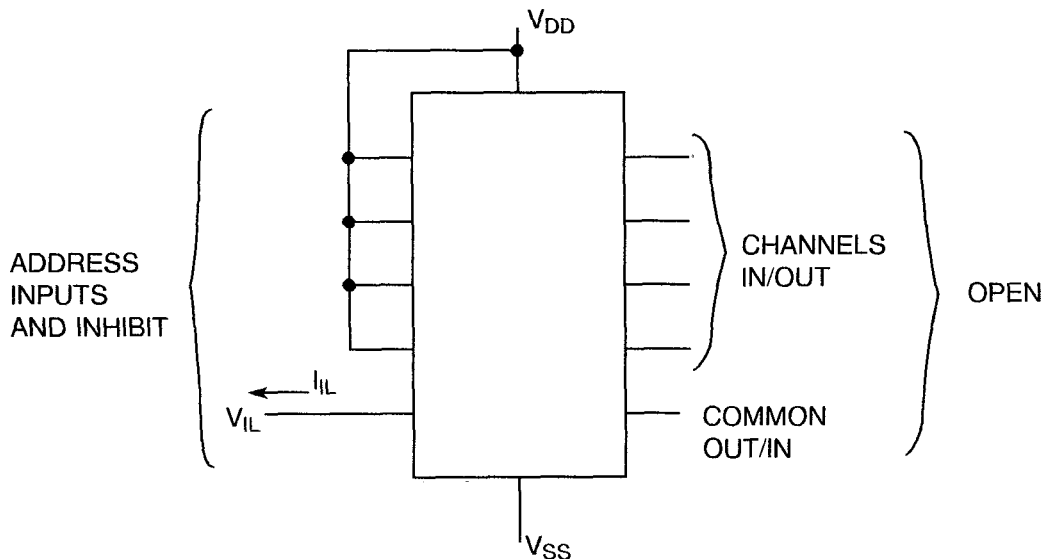
PATTERN NO.	PIN NUMBERS																							D.C. SUPPLY	
	1	2	3	4	5	6	7	8	9	10	11	13	14	15	16	17	18	19	20	21	22	23	12	24	
1	1	0	0	0	0	0	0	0	1	0	0	0	0	0	0	0	0	0	0	0	0	0	0	$V_{DD}$	
2	1	0	0	0	0	0	0	1	0	1	0	0	0	0	0	0	0	0	0	0	0	0	<div style="display: flex; justify-content: space-between; width: 100%;"> <div style="width: 40%; text-align: center;">↓</div> <div style="width: 40%; text-align: center;">↓</div> </div>		
3	1	0	0	0	0	0	1	0	0	0	1	0	0	0	0	0	0	0	0	0	0	0			
4	1	0	0	0	0	1	0	0	0	1	1	0	0	0	0	0	0	0	0	0	0	0			
5	1	0	0	0	1	0	0	0	0	0	0	0	1	0	0	0	0	0	0	0	0	0			
6	1	0	0	1	0	0	0	0	0	1	0	0	1	0	0	0	0	0	0	0	0	0			
7	1	0	1	0	0	0	0	0	0	0	1	0	1	0	0	0	0	0	0	0	0	0			
8	1	1	0	0	0	0	0	0	0	1	1	0	1	0	0	0	0	0	0	0	0	0			
9	1	0	0	0	0	0	0	0	0	0	0	1	0	0	0	0	0	0	0	0	0	1			
10	1	0	0	0	0	0	0	0	0	1	0	1	0	0	0	0	0	0	0	0	0	1			
11	1	0	0	0	0	0	0	0	0	0	1	1	0	0	0	0	0	0	0	1	0	0			
12	1	0	0	0	0	0	0	0	0	1	1	1	0	0	0	0	0	0	1	0	0	0			
13	1	0	0	0	0	0	0	0	0	0	0	1	1	0	0	0	0	1	0	0	0	0			
14	1	0	0	0	0	0	0	0	0	1	0	1	1	0	0	0	1	0	0	0	0	0			
15	1	0	0	0	0	0	0	0	0	0	1	1	1	0	0	1	0	0	0	0	0	0			
16	1	0	0	0	0	0	0	0	0	1	1	1	1	0	1	0	0	0	0	0	0	0			
VR	0	0	0	0	0	0	0	0	0	0	0	0	0	0	0	0	0	0	0	0	0	0			

**NOTES**

1. Figure 4 (b) illustrates one series of Test Patterns. Any other pattern series must be agreed with the Qualifying Space Agency and shall be included as an Appendix.
  
2. Logic Level Definitions:  $1 = V_{IH} = V_{DD}$ ,  $0 = V_{IL} = V_{SS}$ .

**FIGURE 4 - CIRCUITS FOR ELECTRICAL MEASUREMENTS (CONTINUED)**

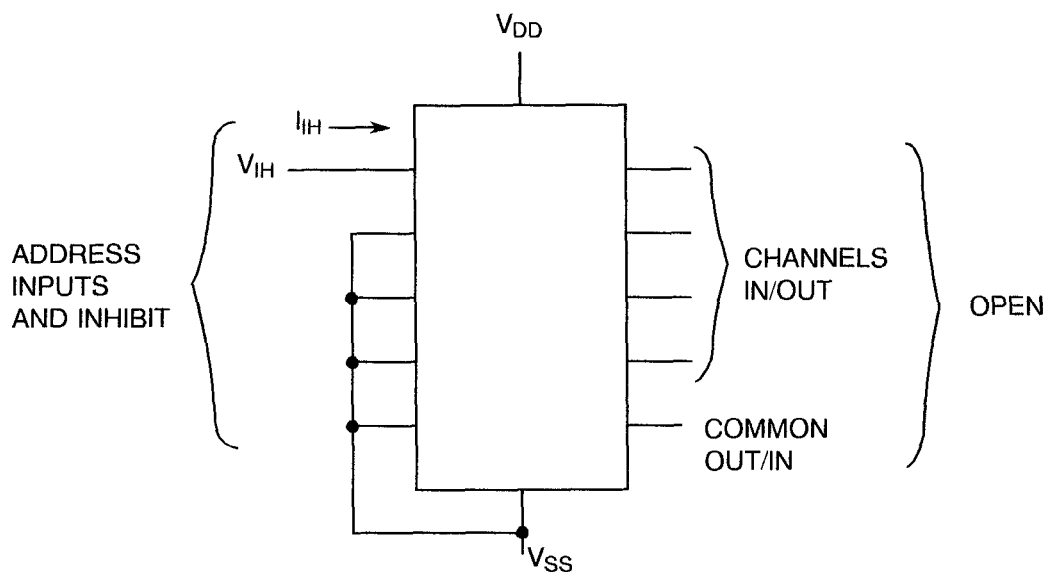
**FIGURE 4(c) - INPUT CURRENT LOW LEVEL**



**NOTES**

1. Each input to be tested separately.

**FIGURE 4(d) - INPUT CURRENT HIGH LEVEL**



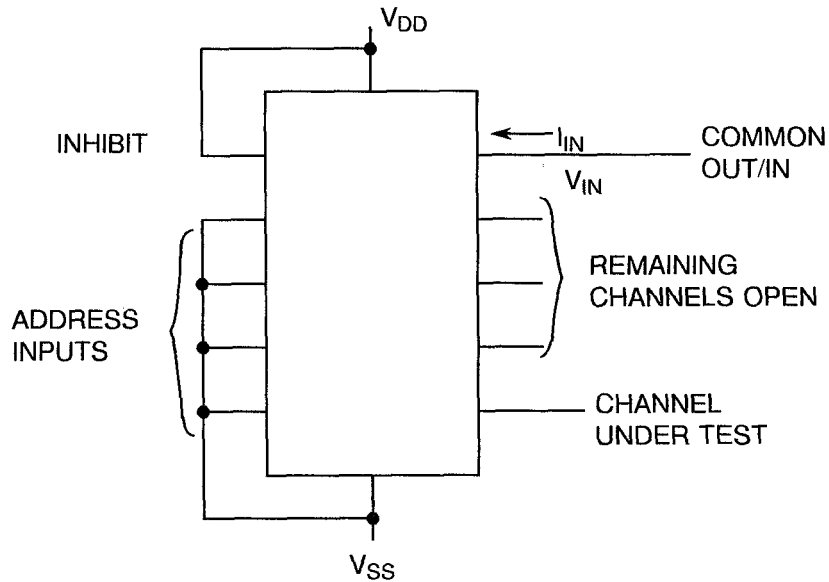
**NOTES**

1. Each input to be tested separately.



**FIGURE 4 - CIRCUITS FOR ELECTRICAL MEASUREMENTS (CONTINUED)**

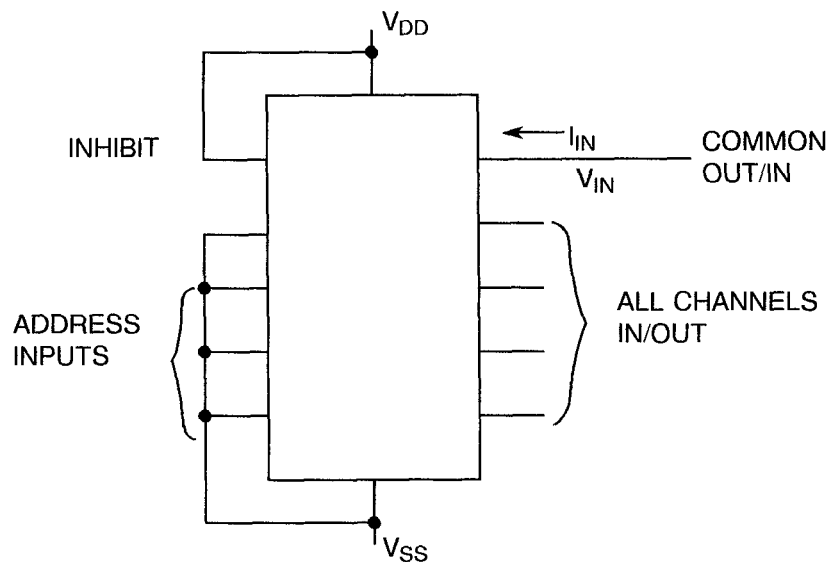
**FIGURE 4(e) - CHANNEL OFF LEAKAGE CURRENT**



**NOTES**

1. Each output to be tested separately.

**FIGURE 4(f) - CHANNEL TOTAL OFF LEAKAGE CURRENT**



**NOTES**

1. Each output to be tested separately.



**FIGURE 4 - CIRCUITS FOR ELECTRICAL MEASUREMENTS (CONTINUED)**

**FIGURE 4 (g)(i) - TEST TABLE FOR CHANNEL ON RESISTANCE**

TEST NO.	INH.	INPUT CONDITIONS (PIN NUMBERS)																			Z	NOTES 1, 2 & 3	
		ADDRESS				CHANNEL NUMBERS																	
		A	B	C	D	0	1	2	3	4	5	6	7	8	9	10	11	12	13	14			15
1	0	0	0	0	0																	$V_{IS}$	
2		1	0	0	0	0																	
3		0	1	0	0		0																
4		1	1	0	0			0															
5		0	0	1	0				0														
6		1	0	1	0					0													
7		0	1	1	0						0												
8		1	1	1	0							0											
9		0	0	0	1								0										
10		1	0	0	1									0									
11		0	1	0	1										0								
12		1	1	0	1											0							
13		0	0	1	1												0						
14		1	0	1	1													0					
15		0	1	1	1														0				
16		1	1	1	1															0			
17		0	0	0	0	$V_{IS}$															0		
18		1	0	0	0		$V_{IS}$																
19		0	1	0	0			$V_{IS}$															
20		1	1	0	0				$V_{IS}$														
21		0	0	1	0					$V_{IS}$													
22		1	0	1	0						$V_{IS}$												
23		0	1	1	0							$V_{IS}$											
24		1	1	1	0								$V_{IS}$										
25		0	0	0	1									$V_{IS}$									
26		1	0	0	1										$V_{IS}$								
27		0	1	0	1											$V_{IS}$							
28		1	1	0	0												$V_{IS}$						
29		0	0	1	1													$V_{IS}$					
30		1	0	1	1														$V_{IS}$				
31		0	1	1	1															$V_{IS}$			
32		1	1	1	1																$V_{IS}$		

**NOTES:** See Page 46.

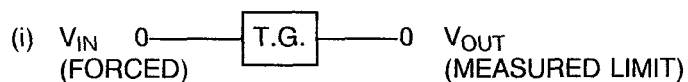
**FIGURE 4 - CIRCUITS FOR ELECTRICAL MEASUREMENTS (CONTINUED)**

**FIGURE 4 (a)(i) - TEST TABLE FOR CHANNEL ON RESISTANCE (CONTINUED)**

**NOTES**

1. Logic Level Definitions: 1 =  $V_{IH}$  =  $V_{DD}$ , 0 =  $V_{IL}$  =  $V_{SS}$ .

2. For  $V_{IS}$  the following notes apply:-



(ii)  $R_{ON}$  5V:  $V_{IN}$  = 1.5V, 1.9V, 2.3V, 2.7V, 3.3V, 3.7V, 4.1V,  
 $V_{OUT}$  =  $V_{IN}$  - 200mV

(iii)  $R_{ON}$  15V:  $V_{IN}$  = 1.5V, 1.9V, 2.3V, 2.7V, 13.3V, 13.7V, 14.1V, 14.5V,  
 $V_{OUT}$  =  $V_{IN}$  - 200mV



**FIGURE 4 - CIRCUITS FOR ELECTRICAL MEASUREMENTS (CONTINUED)**

FIGURE 4(g)(ii) - CHANNEL ON RESISTANCE

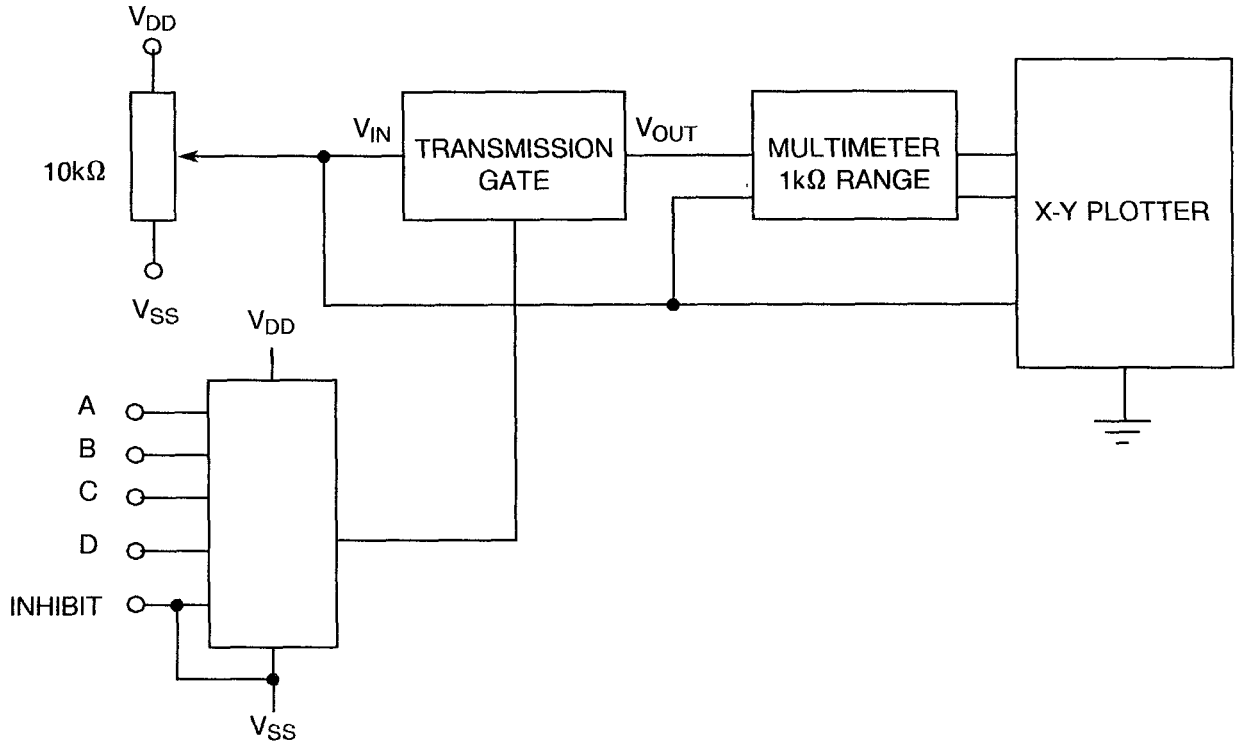
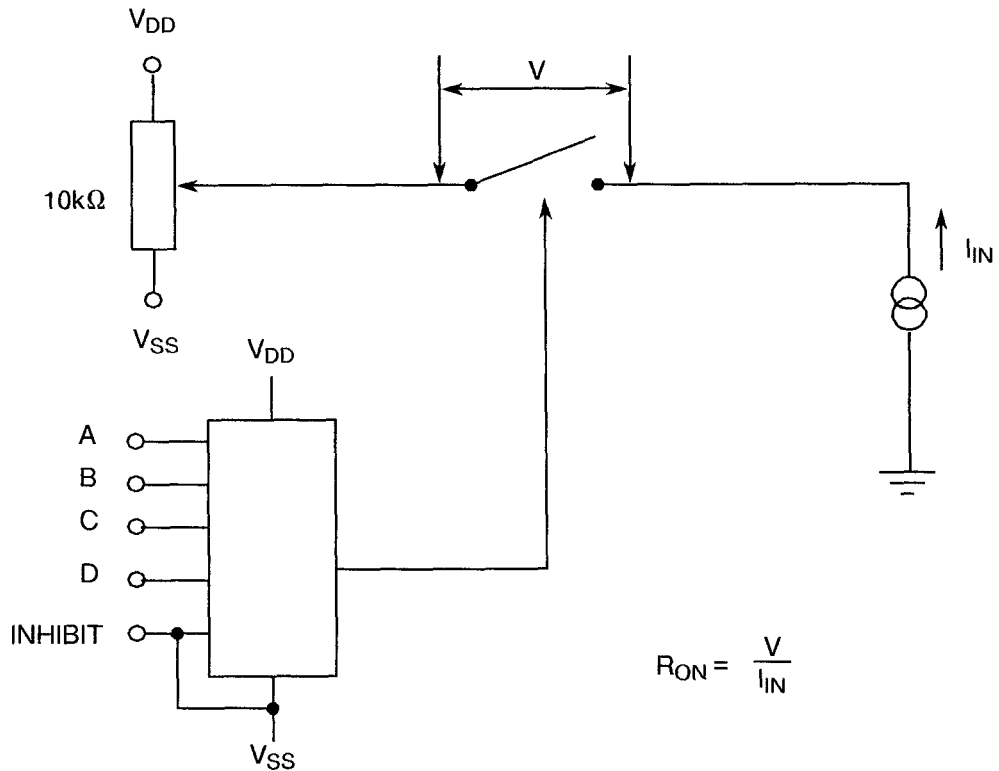
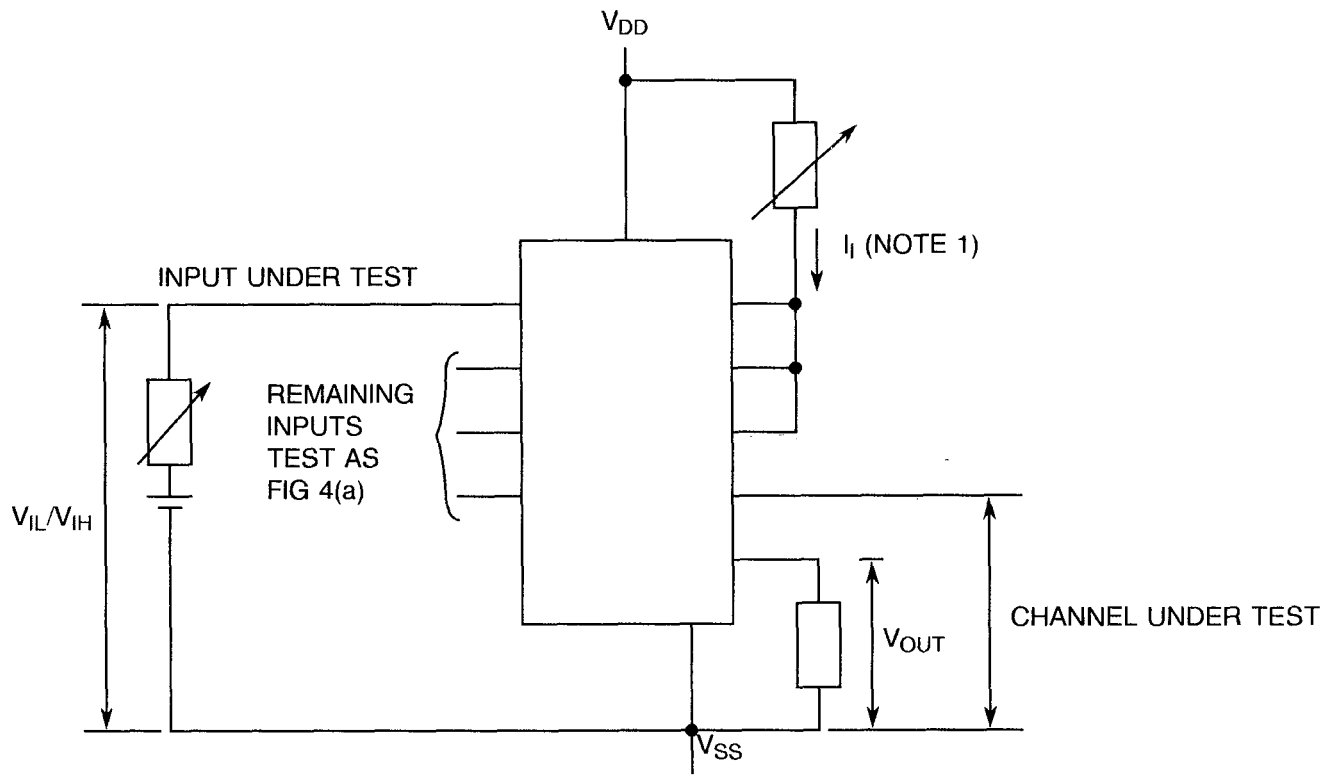


FIGURE 4(g)(iii) - CHANNEL ON RESISTANCE



**FIGURE 4 - CIRCUITS FOR ELECTRICAL MEASUREMENTS (CONTINUED)**

FIGURE 4(h) - INPUT VOLTAGE HIGH AND LOW LEVEL

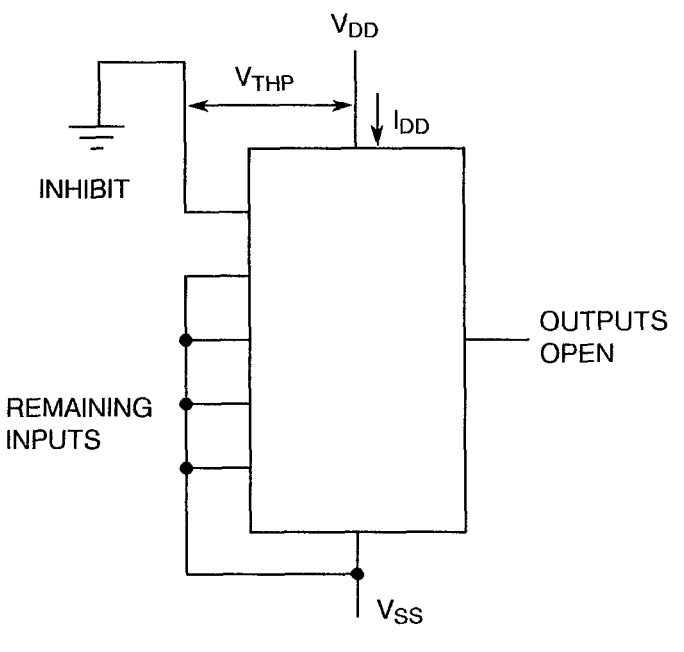
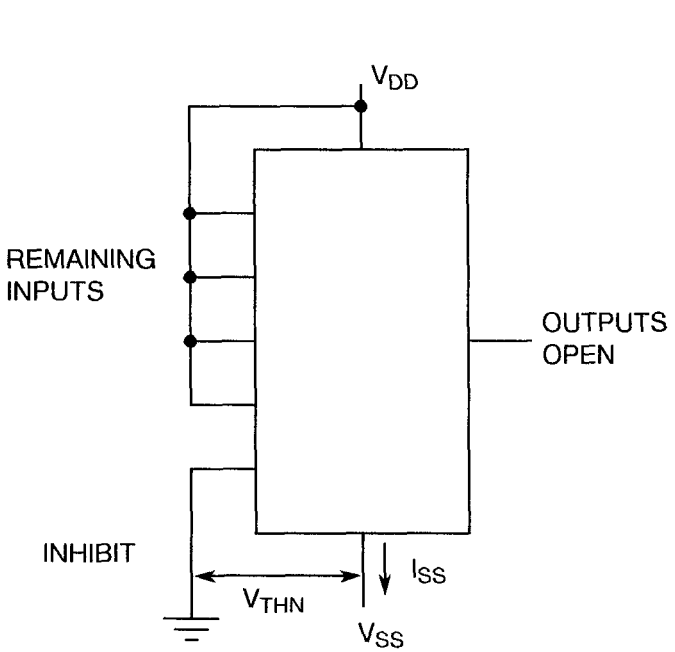


**NOTES**

1.  $I_I < 2\mu A$  for all OFF Channels.

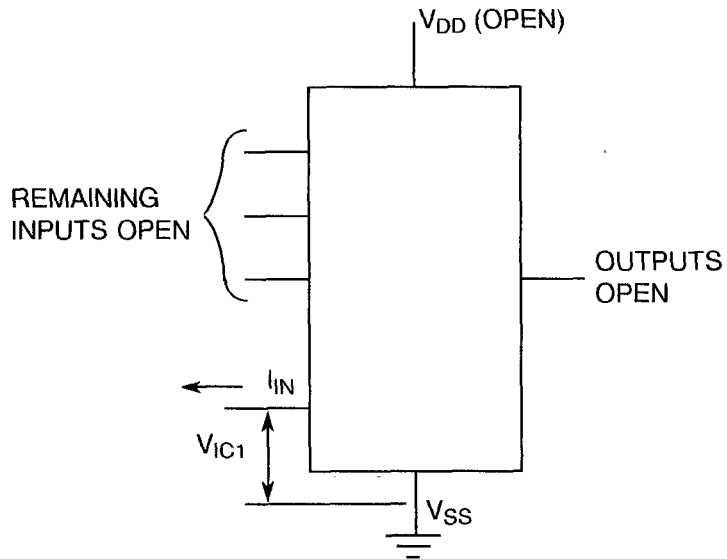
FIGURE 4(i) - THRESHOLD VOLTAGE N-CHANNEL

FIGURE 4(j) - THRESHOLD VOLTAGE P-CHANNEL



**FIGURE 4 - CIRCUITS FOR ELECTRICAL MEASUREMENTS (CONTINUED)**

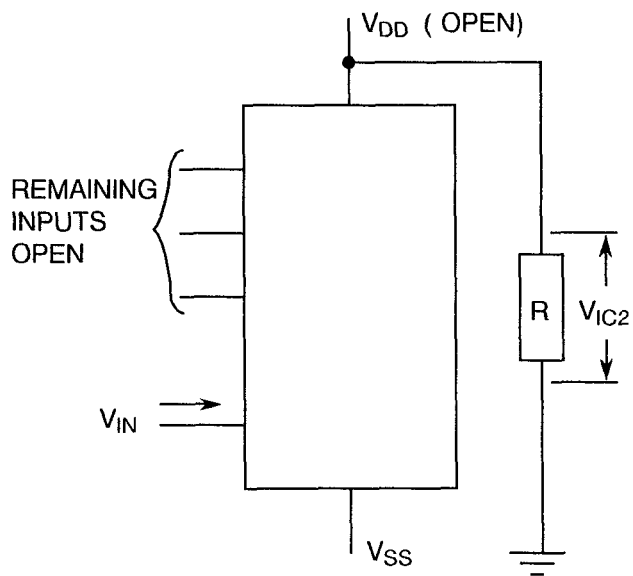
**FIGURE 4(k) - INPUT CLAMP VOLTAGE ( $V_{SS}$ )**



**NOTES**

1. Each input to be tested separately.

**FIGURE 4(l) - INPUT CLAMP VOLTAGE ( $V_{DD}$ )**

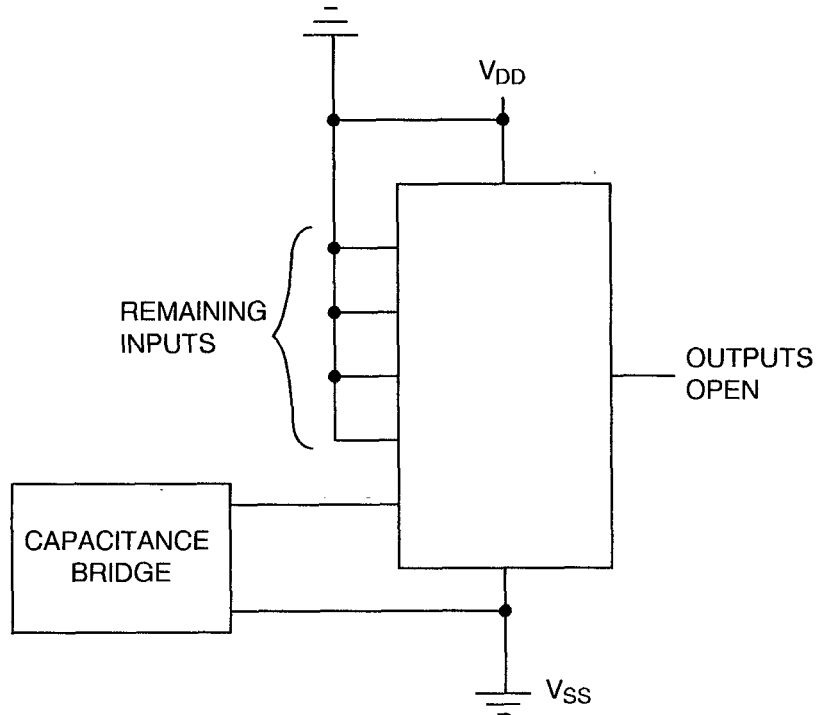


**NOTES**

1. Each input to be tested separately.

**FIGURE 4 - CIRCUITS FOR ELECTRICAL MEASUREMENTS (CONTINUED)**

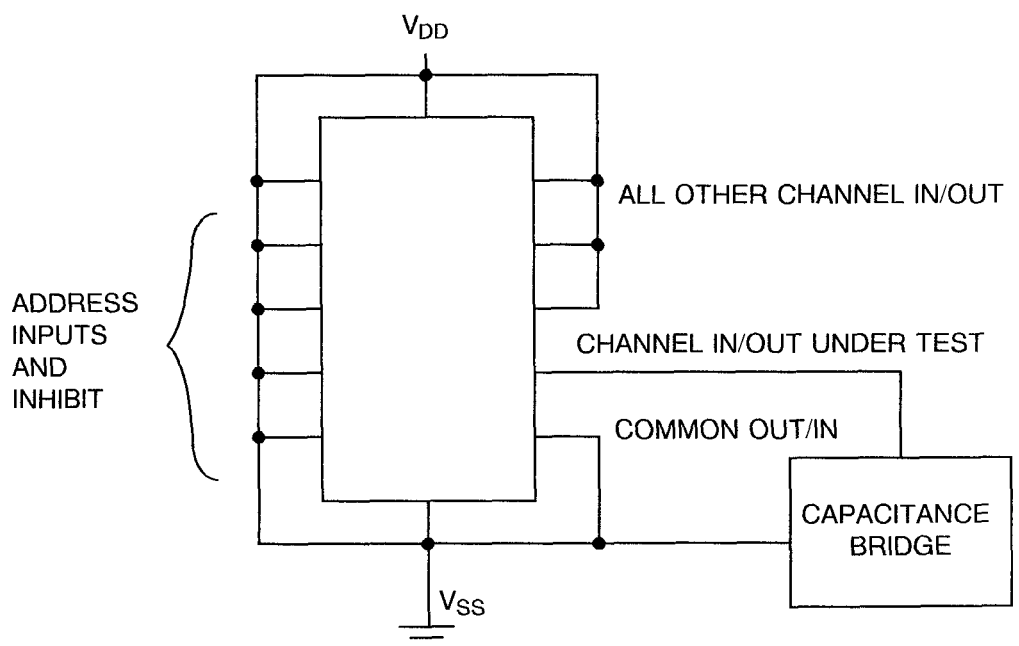
FIGURE 4(m) - INPUT CAPACITANCE, ADDRESS AND INHIBIT



**NOTES**

1. Each input to be tested separately.
2.  $f = 100\text{kHz to }1\text{MHz}$ .

FIGURE 4(n) - CHANNEL INPUT CAPACITANCE



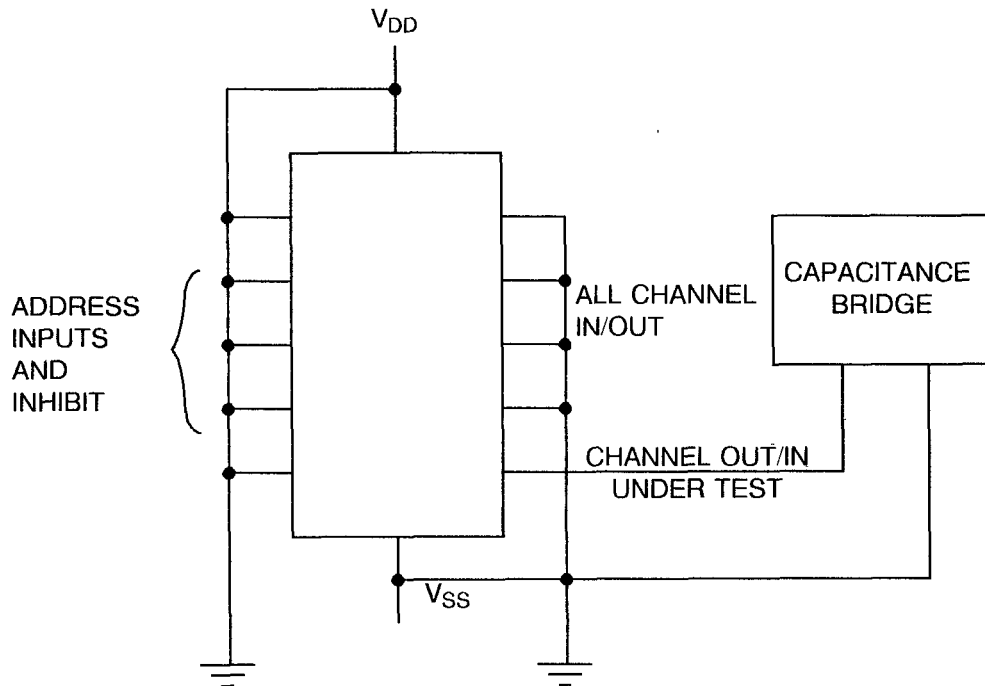
**NOTES**

1. Each input to be tested separately.
2.  $f = 100\text{kHz to }1\text{MHz}$ .



**FIGURE 4 - CIRCUITS FOR ELECTRICAL MEASUREMENTS (CONTINUED)**

**FIGURE 4(o) - CHANNEL OUTPUT CAPACITANCE**



**NOTES**

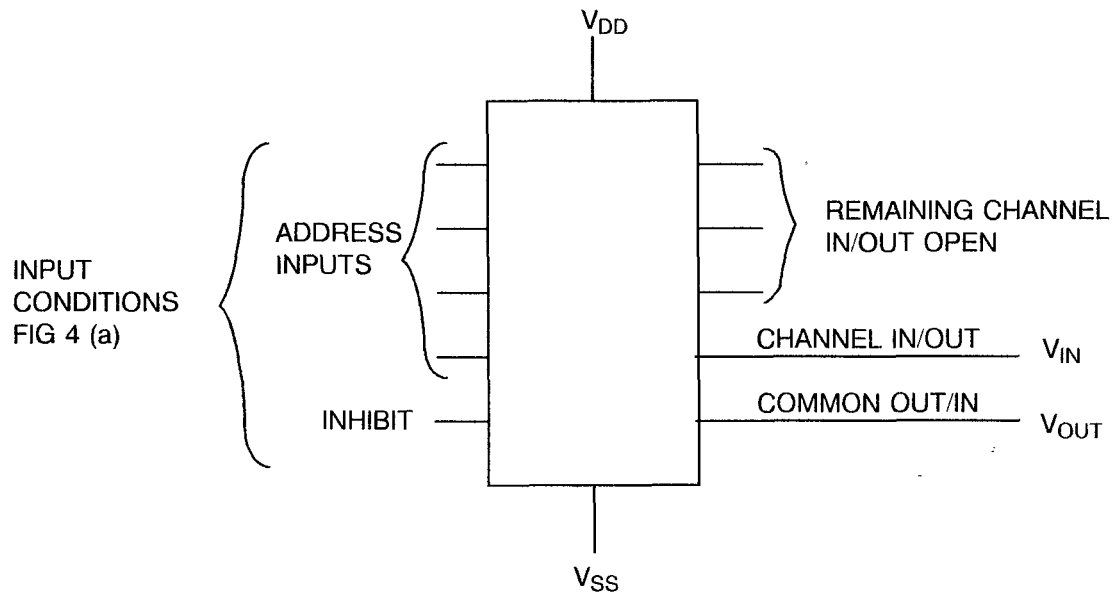
1. Each output to be tested separately.
2.  $f = 100\text{kHz to }1\text{MHz}$ .



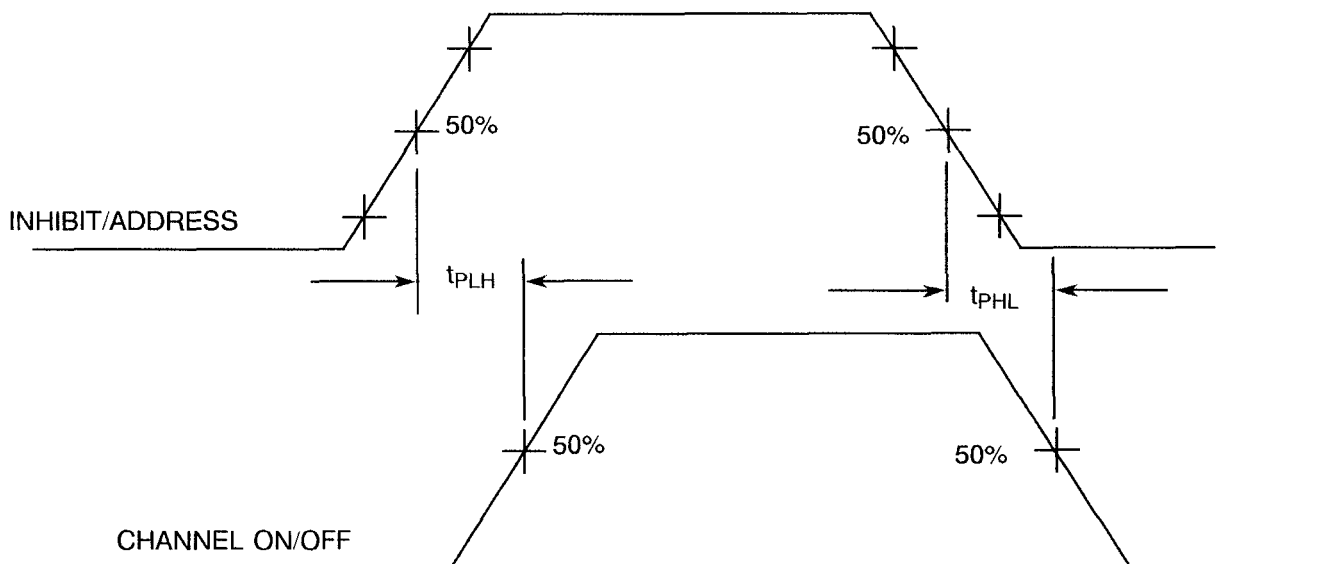


**FIGURE 4 - CIRCUITS FOR ELECTRICAL MEASUREMENTS (CONTINUED)**

**FIGURE 4 (p) - PROPAGATION DELAY, INHIBIT OR ADDRESS INPUTS TO CHANNEL ON OR OFF**



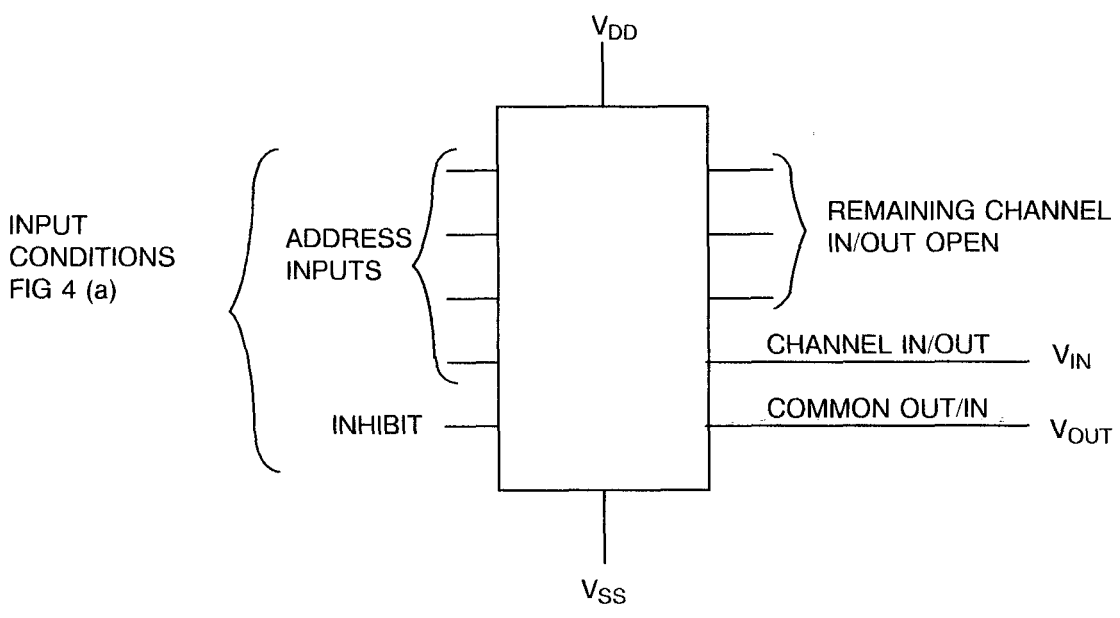
VOLTAGE WAVEFORMS



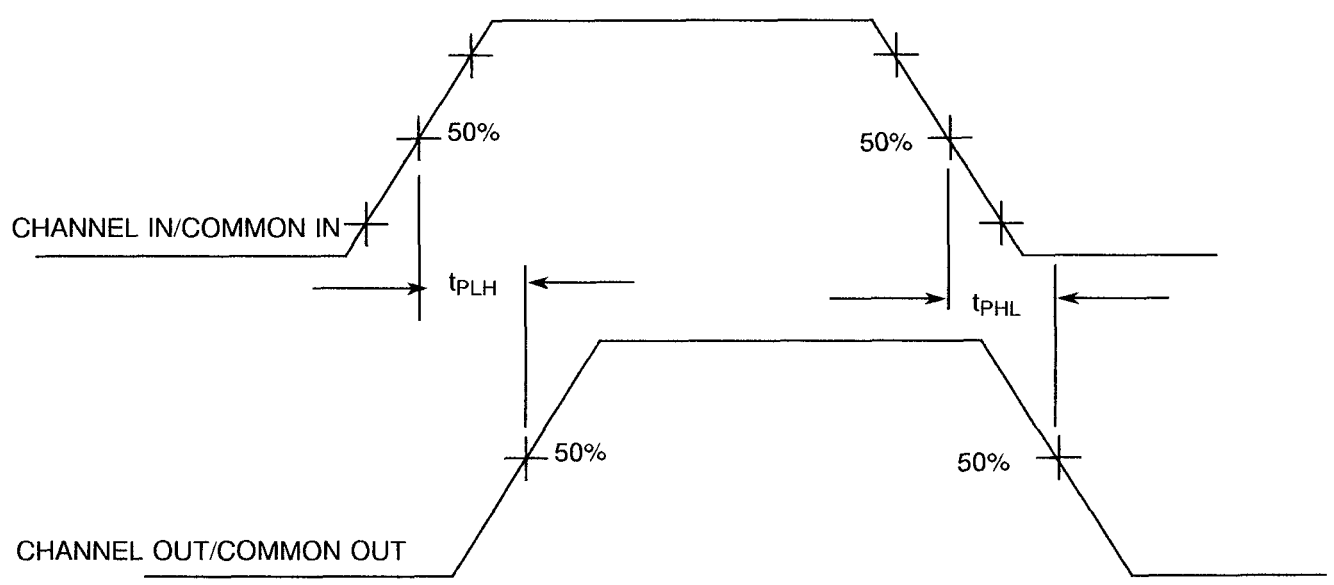
**NOTES** 1. Pulse Generator -  $V_P = V_{DD}$ ,  $t_r$  and  $t_f \leq 15\text{ns}$ ,  $f = 500\text{kHz}$ .

**FIGURE 4 - CIRCUITS FOR ELECTRICAL MEASUREMENTS (CONTINUED)**

FIGURE 4 (q) - PROPAGATION DELAY, CHANNEL OR COMMON IN TO COMMON OR CHANNEL OUT



VOLTAGE WAVEFORMS



**NOTES** 1. Pulse Generator -  $V_P = 0$  to  $V_{DD}$ ,  $t_r$  and  $t_f \leq 15ns$ ,  $f = 500kHz$ .

**TABLE 4 - PARAMETER DRIFT VALUES**

NO.	CHARACTERISTICS	SYMBOL	SPEC. AND/OR TEST METHOD	TEST CONDITIONS	CHANGE LIMITS ( $\Delta$ )	UNIT
3 to 18	Quiescent Current	$I_{DD}$	As per Table 2	As per Table 2	$\pm 75$	nA
Note (1)	Channel on Resistance	$R_{ON1}$	As per Table 2	As per Table 2	$\pm 50$	$\Omega$
Note (2)	Channel on Resistance	$R_{ON2}$	As per Table 2	As per Table 2	$\pm 15$	$\Omega$
545	Threshold Voltage N-Channel	$V_{THN}$	As per Table 2	As per Table 2	$\pm 0.3$	V
546	Threshold Voltage P-Channel	$V_{THP}$	As per Table 2	As per Table 2	$\pm 0.3$	V

**NOTES**

1. Test Numbers: 63, 68, 73, 78, 83, 88, 93, 175, 180, 185, 190, 195, 200, 205.
2. Test Numbers: 278, 292, 297, 302, 307, 312, 317, 322, 415, 420, 425, 430, 435, 440, 445, 450.

**TABLE 5(a) - CONDITIONS FOR BURN-IN HIGH TEMPERATURE REVERSE BIAS, N-CHANNELS**

NO.	CHARACTERISTICS	SYMBOL	CONDITION	UNIT
1	Ambient Temperature	$T_{amb}$	+ 125 (+ 0 -5)	°C
2	Outputs - (Pins D/F 2-3-4-5-6-7-8-9-16-17-18-19-20-21-22-23) (Pins C 2-3-5-6-7-8-9-10-19-20-21-22-23-24-26-27)	$V_{CH}$	$V_{DD}$	Vdc
3	Common Out/In (Pin D/F 1) (Pin C 1)	$V_{COM}$	Ground	Vdc
4	Inputs - (Pins D/F 10-11-13-14-15) (Pins C 12-13-15-16-17)	$V_{IN}$	$V_{DD}$	Vdc
5	Positive Supply Voltage (Pin D/F 24) (Pin C 28)	$V_{DD}$	15	Vdc
6	Negative Supply Voltage (Pin D/F 12) (Pin C 14)	$V_{SS}$	Ground	Vdc

**NOTES**

1. Common OUT/IN Protection Resistor = 2k $\Omega$  minimum to 47k $\Omega$  maximum.

**TABLE 5(b) - CONDITIONS FOR BURN-IN HIGH TEMPERATURE REVERSE BIAS, P-CHANNELS**

NO.	CHARACTERISTICS	SYMBOL	CONDITION	UNIT
1	Ambient Temperature	$T_{amb}$	+ 125 (+ 0 -5)	°C
2	Outputs - (Pins D/F 2-3-4-5-6-7-8-9-16-17-18-19-20-21-22-23) (Pins C 2-3-5-6-7-8-9-10-19-20-21-22-23-24-26-27)	$V_{CH}$	Ground	Vdc
3	Common In/Out (Pin D/F 1) (Pin C 1)	$V_{COM}$	Ground	Vdc
4	Inputs - (Pins D/F 10-11-13-14-15) (Pins C 12-13-15-16-17)	$V_{IN}$	$V_{SS}$	Vdc
5	Positive Supply Voltage (Pin D/F 24) (Pin C 28)	$V_{DD}$	15	Vdc
6	Negative Supply Voltage (Pin D/F 12) (Pin C 14)	$V_{SS}$	Ground	Vdc

**NOTES**

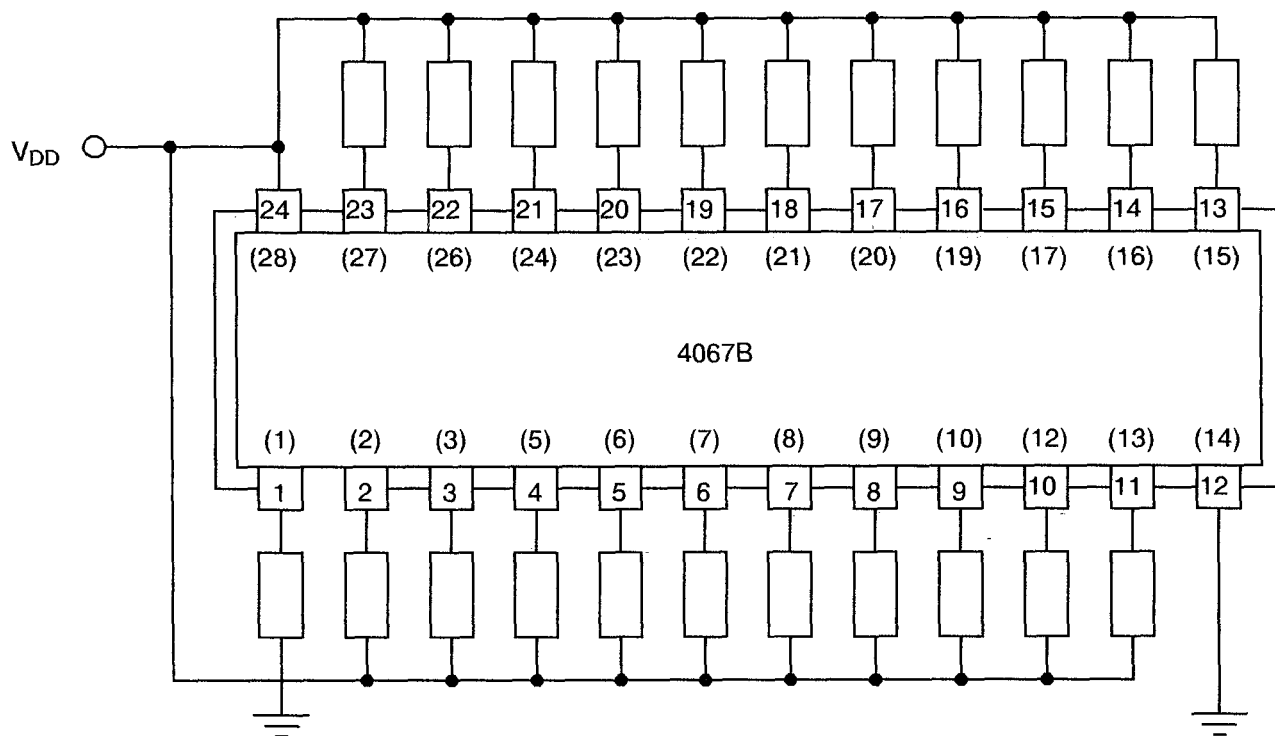
1. Common OUT/IN Protection Resistor = 2k $\Omega$  minimum to 47k $\Omega$  maximum.

**TABLE 5(c) - CONDITIONS FOR BURN-IN DYNAMIC**

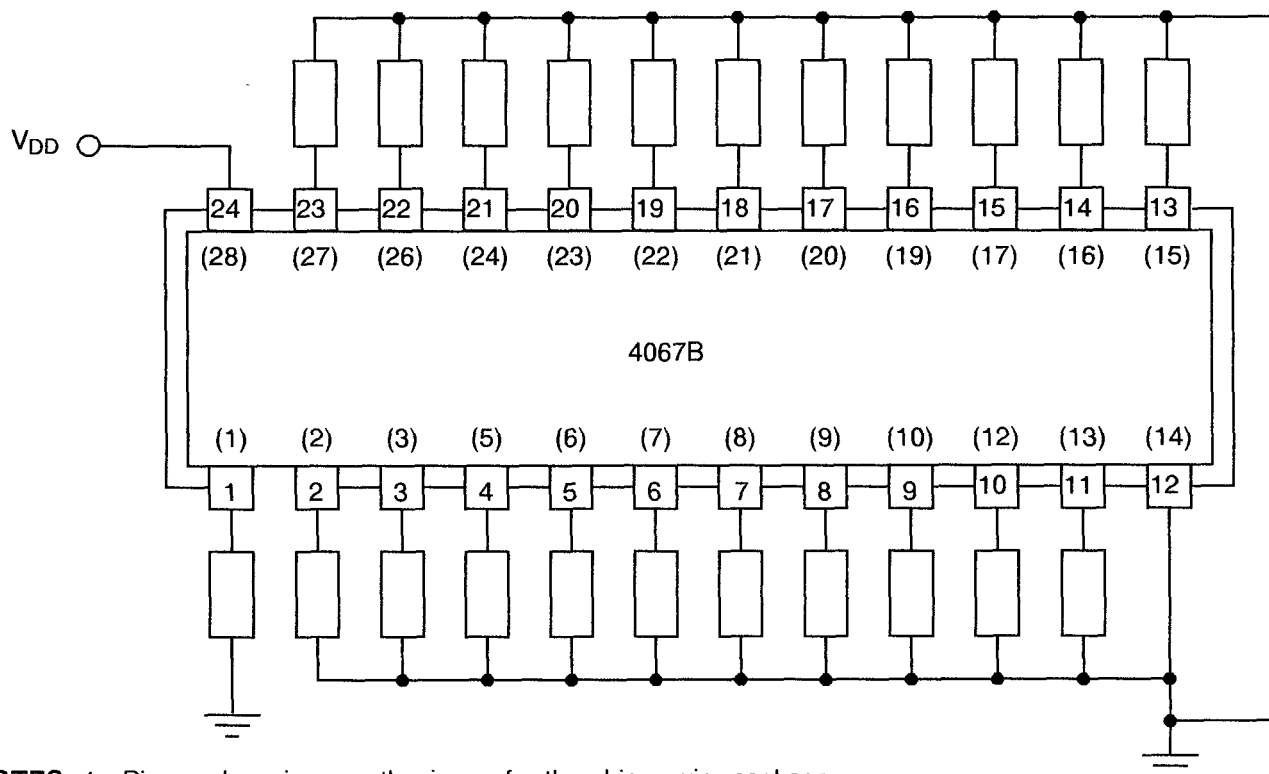
NO.	CHARACTERISTICS	SYMBOL	CONDITION	UNIT
1	Ambient Temperature	$T_{amb}$	+ 125 +0 -5	°C
2	Outputs - (Pins D/F 2-3-4-5-6-7-8-9-16-17-18-19-20-21-22-23) (Pins C 2-3-5-6-7-8-9-10-19-20-21-22-23-24-26-27)	$V_{CH}$	$V_{DD}$	Vdc
3	Common OUT/IN (Pin D/F 1) (Pin C 1)	$V_{COM}$	Ground	Vdc
4	Inputs - (Pins D/F 10-11-13-14-15) (Pins C 12-13-15-16-17)	$V_{IN}$	$V_{GEN}$	Vdc
7	Pulse Voltage (Binary Counter)	$V_{GEN}$	0 to $V_{DD}$	Vac
8	Pulse Frequency Binary Counter Square Wave	f	500k	Hz
10	Positive Supply Voltage (Pin D/F 24) (Pin C 28)	$V_{DD}$	15	Vdc
11	Negative Supply Voltage (Pin D/F 12) (Pin C 14)	$V_{SS}$	Ground	Vdc

**NOTES**

1. Common OUT/IN Protection Resistor = 2k $\Omega$  minimum to 47k $\Omega$  maximum.

**FIGURE 5 (a) - ELECTRICAL CIRCUIT FOR BURN-IN HIGH TEMPERATURE REVERSE BIAS, N-CHANNELS**


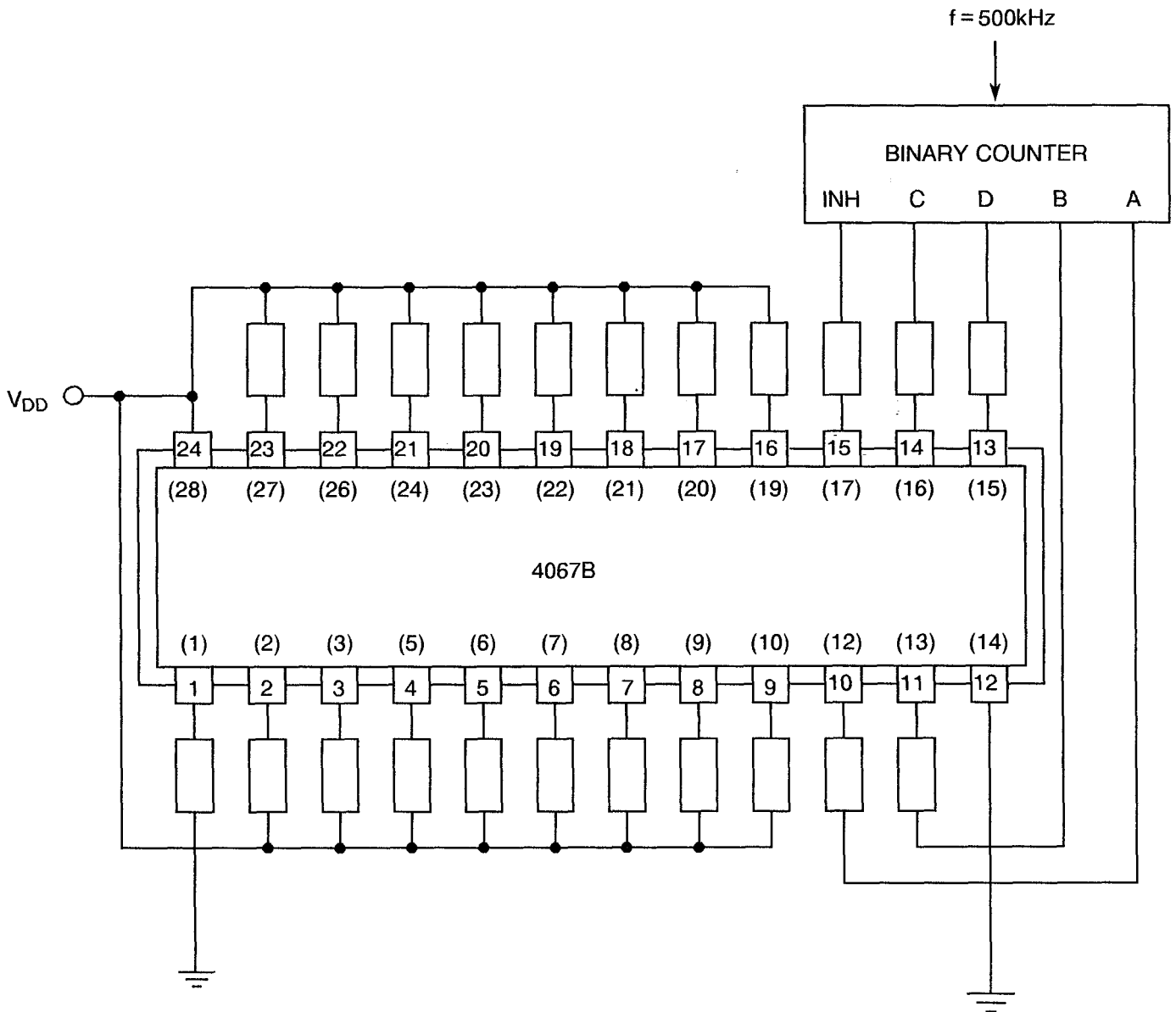
**NOTES** 1. Pin numbers in parenthesis are for the chip carrier package.

**FIGURE 5(b) - ELECTRICAL CIRCUIT FOR BURN-IN HIGH TEMPERATURE REVERSE BIAS, P-CHANNELS**




**NOTES** 1. Pin numbers in parenthesis are for the chip carrier package.



**FIGURE 5 (c) - ELECTRICAL CIRCUIT FOR BURN-IN DYNAMIC**



**NOTES** 1. Pin numbers in parenthesis are for the chip carrier package.

 	<p style="text-align: center;">ESA/SCC Detail Specification No. 9408/009</p>	<p style="text-align: center;">Rev. 'C'</p>	<p>PAGE 59 ISSUE 2</p>
---	--	---	----------------------------

#### 4.8 ENVIRONMENTAL AND ENDURANCE TESTS

##### 4.8.1 Electrical Measurements on Completion of Environmental Tests

The parameters to be measured on completion of environmental tests are scheduled in Table 6. Unless otherwise stated, the measurements shall be performed at  $T_{amb} = +22 \pm 3$  °C.

##### 4.8.2 Electrical Measurements at Intermediate Points during Endurance Tests

The parameters to be measured at intermediate points during endurance tests are as scheduled in Table 6 of this specification.

##### 4.8.3 Electrical Measurements on Completion of Endurance Tests

The parameters to be measured on completion of endurance testing are as scheduled in Table 6 of this specification. Unless otherwise stated, the measurements shall be performed at  $T_{amb} = +22 \pm 3$  °C.

##### 4.8.4 Conditions for Operating Life Test

The requirements for operating life testing are specified in Section 9 of ESA/SCC Generic Specification No. 9000. The conditions for operating life testing shall be as specified in Table 5(c) of this specification.

##### 4.8.5 Electrical Circuits for Operating Life Tests

Circuits for use in performing the operating life test are shown in Figure 5(c) of this specification.

##### 4.8.6 Conditions for High Temperature Storage Test

The requirements for the high temperature storage test are specified in ESA/SCC Generic Specification No. 9000. The temperature to be applied shall be the maximum storage temperature specified in Table 1(b) of this specification.





**TABLE 6 - ELECTRICAL MEASUREMENTS ON COMPLETION OF ENVIRONMENTAL TESTS AND AT INTERMEDIATE POINTS AND ON COMPLETION OF ENDURANCE TESTING**

NO.	CHARACTERISTICS	SYMBOL	SPEC. AND/OR TEST METHOD	TEST CONDITIONS	CHANGE LIMITS ( $\Delta$ )			UNIT
						MIN	MAX	
1	Functional Test	-	As per Table 2	As per Table 2	-	-	-	-
3 to 18	Quiescent Current	$I_{DD}$	As per Table 2	As per Table 2	$\pm 75$	-	-	nA
19 to 23	Input Current Low Level Address or Inhibit	$I_{IL}$	As per Table 2	As per Table 2	-	-	-50	nA
24 to 28	Input Current High Level Address or Inhibit	$I_{IH}$	As per Table 2	As per Table 2	-	-	50	nA
29 to 44	Channel Off Leakage Current (Any Channel)	$I_{OFF1}$	As per Table 2	As per Table 2	-	-	-100	nA
45 to 60	Channel Off Leakage Current (Any Channel)	$I_{OFF2}$	As per Table 2	As per Table 2	-	-	100	nA
61	Channel Off Leakage Current (All Channels)	$I_{OFF3}$	As per Table 2	As per Table 2	-	-	100	nA
62	Channel Off Leakage Current (All Channels)	$I_{OFF4}$	As per Table 2	As per Table 2	-	-	-100	nA
63 to 286	Channel On Resistance	$R_{ON1}$	As per Table 2	As per Table 2	$\pm 50$	-	-	$\Omega$
287 to 542	Channel On Resistance	$R_{ON2}$	As per Table 2	As per Table 2	$\pm 15$	-	-	$\Omega$
543	Input Voltage Low Level (Noise Immunity) (Functional Test)	$V_{IL1}$	As per Table 2	As per Table 2	-	-	0.5	V
	Input Voltage High Level (Noise Immunity) (Functional Test)	$V_{IH1}$			-	4.5	-	
545	Threshold Voltage N-Channel	$V_{THN}$	As per Table 2	As per Table 2	$\pm 0.3$	-	-	V
546	Threshold Voltage P-Channel	$V_{THP}$	As per Table 2	As per Table 2	$\pm 0.3$	-	-	V

**APPENDIX 'A'**

Page 1 of 1

**AGREED DEVIATIONS FOR STMICROELECTRONICS (F)**

ITEMS AFFECTED	DESCRIPTION OF DEVIATION
Para. 4.2.3	<p>Para. 9.23, High Temperature Reverse Bias Burn-in: The temperature limits of MIL-STD-883, Para. 4.5.8(c) may be used.</p> <p>Para. 9.24, Power Burn-in: The temperature limits of MIL-STD-883, Para. 4.5.8(c) may be used.</p>
Para. 4.2.4	Para. 9.21.1, Operating Life during Qualification Testing: The temperature limits of MIL-STD-883, Para. 4.5.8(c) may be used.
Para. 4.2.5	Para. 9.21.2, Operating Life during Lot Acceptance Testing: The temperature limits of MIL-STD-883, Para. 4.5.8(c) may be used.