



Pages 1 to 40

**CONNECTORS, ELECTRICAL, RECTANGULAR,  
MICROMINIATURE,  
BASED ON TYPE MDM**

**ESCC Detail Specification No. 3401/029**

**ISSUE 4  
November 2005**



Document Custodian: European Space Agency - see <https://escies.org>

	ESCC Detail Specification No. 3401/029		PAGE 2 ISSUE 4
---	---	--	-------------------

### LEGAL DISCLAIMER AND COPYRIGHT

European Space Agency, Copyright © 2005. All rights reserved.

The European Space Agency disclaims any liability or responsibility, to any person or entity, with respect to any loss or damage caused, or alleged to be caused, directly or indirectly by the use and application of this ESCC publication.


This publication, without the prior permission of the European Space Agency and provided that it is not used for a commercial purpose, may be:

- copied in whole in any medium without alteration or modification.
- copied in part, in any medium, provided that the ESCC document identification, comprising the ESCC symbol, document number and document issue, is removed.

**DOCUMENTATION CHANGE NOTICE**

(Refer to <https://escies.org> for ESCC DCR content)

DCR No.	CHANGE DESCRIPTION
176, 177	Specification upissued to incorporate editorial and technical changes per DCRs.

	<p style="text-align: center;">ESCC Detail Specification No. 3401/029</p>		<p>PAGE 4 ISSUE 4</p>
---	---	--	---------------------------

**TABLE OF CONTENTS**

	<u>Page</u>
<b>1. <u>GENERAL</u></b>	<b>6</b>
1.1 Scope	6
1.2 Range of Components	6
1.3 Maximum Ratings	6
1.4 Parameter Derating Information	6
1.5 Physical Dimensions	6
1.6 Contact Arrangements	6
<b>2. <u>APPLICABLE DOCUMENTS</u></b>	<b>6</b>
<b>3. <u>TERMS, DEFINITIONS, ABBREVIATIONS, SYMBOLS AND UNITS</u></b>	<b>6</b>
<b>4. <u>REQUIREMENTS</u></b>	<b>31</b>
4.1 General	31
4.2 Deviations from Generic Specification	31
4.2.1 Deviations from Special In-process Controls	31
4.2.2 Deviations from Final Production Tests	31
4.2.3 Deviations from Burn-in and Electrical Measurements	31
4.2.4 Deviations from Qualification Tests	31
4.2.5 Deviations from Lot Acceptance Tests	32
4.3 Mechanical Requirements	32
4.3.1 Dimension Check	32
4.3.2 Weight	32
4.3.3 Contact Capability	32
4.3.4 Contact Retention (In Insert)	32
4.3.5 Mating and Unmating Forces	32
4.3.6 Insert Retention (In Shell)	32
4.3.7 Jackscrew Retention	32
4.3.8 Contact Insertion and Withdrawal Forces	32
4.3.9 Engagement and Separation Forces	33
4.3.10 Oversize Pin Exclusion	33
4.3.11 Probe Damage	33
4.3.12 Solderability	33
4.4 Materials and Finishes	33
4.4.1 Shells	33
4.4.2 Inserts	33
4.4.3 Contacts	33
4.4.4 Seals, Interfacial	33
4.4.5 Insulated Wires	33
4.4.6 Uninsulated Solid Wire	33
4.4.7 Rear Potting	34
4.5 Marking	34
4.5.1 General	34
4.5.2 The ESCC Component Number	34
4.5.3 Characteristics	35
4.5.4 Traceability Information	35
4.6 Electrical Measurements	35
4.6.1 Electrical Measurements at Room Temperature	35
4.6.2 Electrical Measurements at High and Low Temperatures	35
4.6.3 Circuits for Electrical Measurements	35
4.7 Burn-in and Electrical Measurements	35

	<u>Page</u>
4.8 Environmental and Endurance Tests	38
4.8.1 Measurements and Inspection on Completion of Environmental Tests	38
4.8.2 Measurements and Inspections at Intermediate Points during Endurance Tests	38
4.8.3 Measurements and Inspections on Completion of Endurance Tests	38
4.8.4 Conditions for Operating Life Tests	38
4.8.5 Electrical Circuits for Operating Life Tests	38
4.8.6 Conditions for High Temperature Storage Test	38

**TABLES**


1(a) Range of Components	7
1(b) Maximum Ratings	7
2 Electrical Measurements at Room Temperature	36
3 Not applicable	
4 Not applicable	
5 Not applicable	
6 Measurements and Inspections on Completion of Environmental and Endurance Tests	39

**FIGURES**

1 Parameter Derating Information	8
2 Physical Dimensions	9
3 Contact Arrangements	30
4 Gauge Fixture	37

**APPENDICES (Applicable to specific Manufacturers only)**

None.

	<p style="text-align: center;">ESCC Detail Specification No. 3401/029</p>	<p style="text-align: right;">PAGE 6 ISSUE 4</p>
---	---	--

## 1. GENERAL

### 1.1 SCOPE

This specification details the ratings, physical and electrical characteristics, test and inspection data of Electrical, Rectangular, Microminiature Connectors with Non-removable Crimp-type Contacts and their associated insulated wires and uninsulated solid wires, based on Type MDM.

It shall be read in conjunction with:

- (a) ESCC Generic Specification No. 3401, Connectors, Electrical, Rectangular and Circular.
- (b) ESCC Detail Specification No. 3401/032, Accessories for Connectors, Microminiature, 3401/029.

the requirements of which are supplemented herein.

### 1.2 RANGE OF COMPONENTS

The different sizes of the basic type connectors specified herein, which are also covered by this specification, together with their mechanical characteristics, are scheduled in Table 1(a). The different sizes of associated insulated wires and uninsulated solid wires are given in Figure 2.

### 1.3 MAXIMUM RATINGS

The maximum ratings, which shall not be exceeded at any time during use or storage, applicable to the contacts specified herein, are scheduled in Table 1(b).

### 1.4 PARAMETER DERATING INFORMATION

The derating information applicable to the contacts specified herein is shown in Figure 1.

### 1.5 PHYSICAL DIMENSIONS

The physical dimensions of the connectors, insulated wires and uninsulated solid wires specified herein are shown in Figure 2.

### 1.6 CONTACT ARRANGEMENTS

Contact arrangement are shown in Figure 3.

## 2. APPLICABLE DOCUMENTS

The following documents form part of this specification and shall be read in conjunction with it:-

- (a) ESCC Generic Specification No. 3401, Connectors, Electrical, Circular and Rectangular.
- (b) ESCC Detail Specification No. 3401/032, Accessories for Connectors, Microminiature for 3401/029.
- (c) ESCC Detail Specification No. 3901/002, Polyimide Insulated Wires and Cables, Low Frequency, 600V, -100 to +200°C.
- (c) ESCC Detail Specification No. 3901/013, PTFE Insulated Wires and Cables, 600V, -100 to +200°C.
- (d) QQ-W-343, Wires, Electrical Uninsulated.
- (e) MIL-G-45204, Gold Plating, Electro-deposited.
- (f) MIL-C-14550, Copper Plating, Electro-deposited.
- (g) MIL-PRF-83513, Connectors Electrical, Rectangular, Microminiature, Polarised Shell, Generic Specification for.

## 3. TERMS, DEFINITIONS, ABBREVIATIONS, SYMBOLS AND UNITS

For the purpose of this specification, the terms, definitions, abbreviations, symbols and units specified in ESCC Basic Specification No. 21300 shall apply.

**TABLE 1(a) - RANGE OF COMPONENTS**

Variant		Shell Size	Max. Weight (g)				Mating Force	Unmating Force	
			FR112 to FR116 FR112A to FR116A FR123 and FR123A (1)	FR136 (2)	FR136A (2)	FR139 (2)		N.Max	N. Max.
Nickel	Gold								
01	02	9	2.2	7.4	7.4	4.6	20	20	1.3
01	02	15	3	7.8	N/A	5	33	33	2
01	02	21	3.8	8.5	N/A	5.4	47	47	2.9
01	02	25	4.3	10.2	N/A	6.5	55	55	3.5
01	02	31	5.1	12.2	N/A	7.7	69	69	4.3
01	02	37	5.9	14.4	N/A	9.2	82	82	5.1
01	02	51	7.2	16.5	N/A	N/A	113	113	7.1

**NOTES**

1. Connector contacts and rear potting, without cables, without floating eyelets and without captive nut. Add 0.4g for connectors with floating mounts and 1g for connectors with captive nuts. See Figures 2-4 and 2-5 for the weight of cable.
2. Connector with contacts and rear potting.

**TABLE 1(b) - MAXIMUM RATINGS**

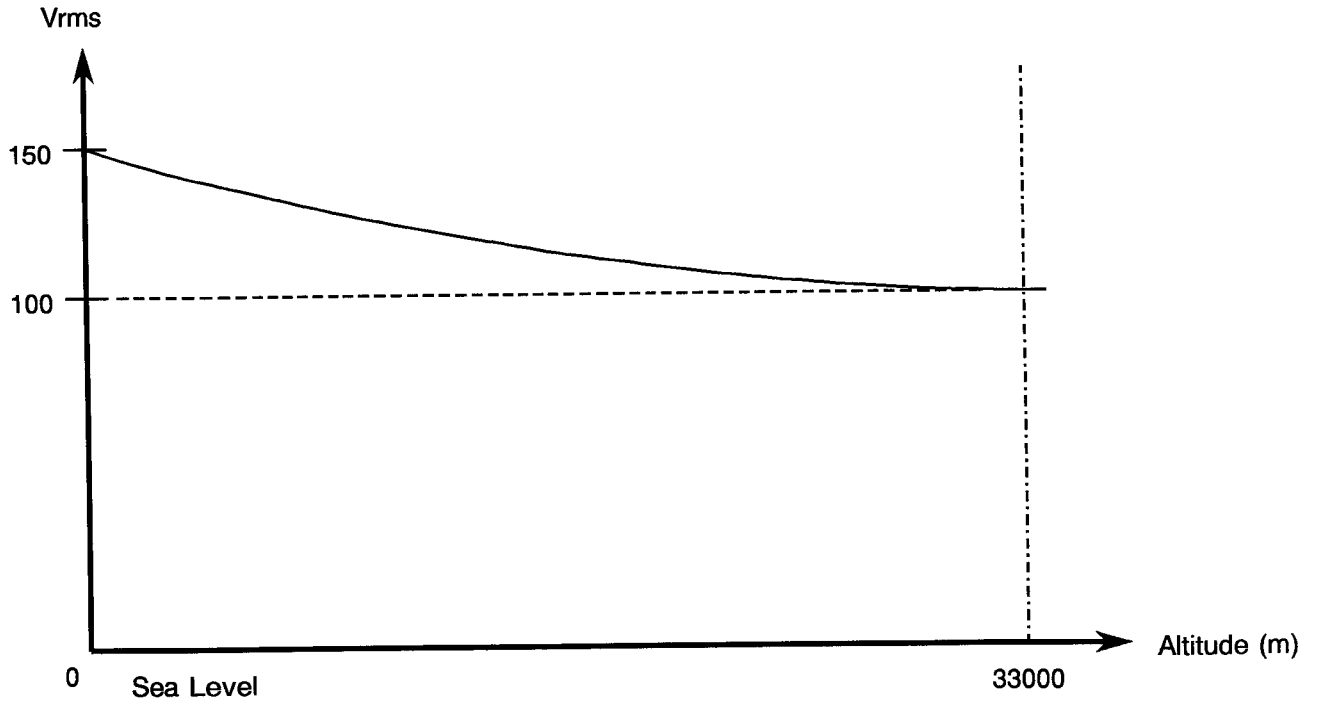
NO.	CHARACTERISTICS	SYMBOL	MAXIMUM RATING	UNIT	REMARKS
1	Working Voltage Sea Level	$U_R$	150	Vrms	Note 1
2	Rated Current: (AWG26 and uninsulated solid wire)	$I_R$	2.5	A	
3	Rated Current (AWG28)	$I_R$	1.5	A	
4	Operating Temperature Range	$T_{op}$	- 55 to + 125	°C	
5	Storage Temperature Range	$T_{stg}$	- 55 to + 125	°C	

**NOTES**

1. Between contacts, and contact and shell.

**FIGURE 1 - PARAMETER DERATING INFORMATION**

**FIGURE 1(a) - WORKING VOLTAGE VERSUS ALTITUDE**



**FIGURE 1(b) - MAXIMUM CURRENT VERSUS NUMBER OF CONTACTS**

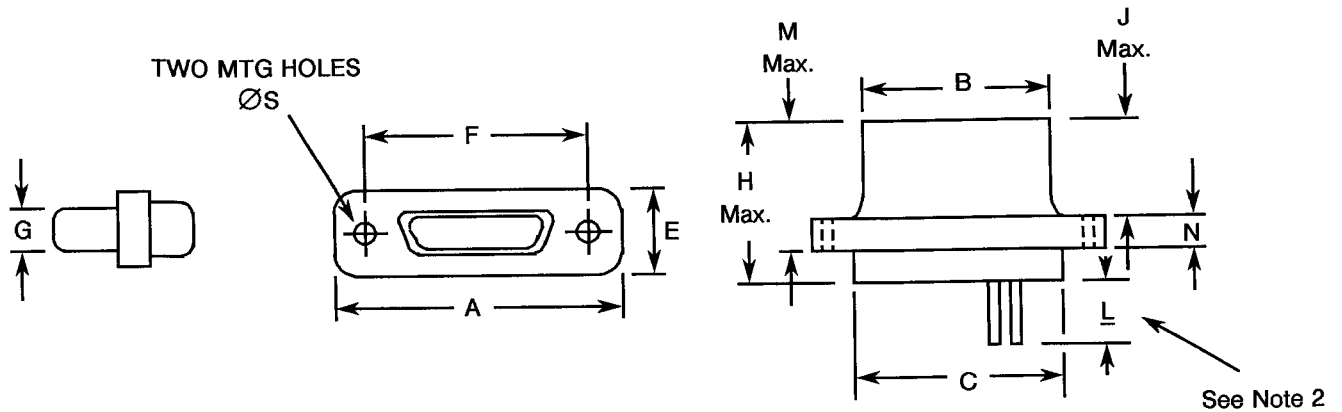
NUMBER OF CONTACTS PER CONNECTOR	MAXIMUM CURRENT PER CONTACT	
	WIRE SIZE	
	AWG 26 AND UNINSULATED SOLID WIRE	AWG 28
2 - 4	2.0	1.4
5 - 14	1.8	1.2
15 and over	1.4	0.9



**FIGURE 2 - PHYSICAL DIMENSIONS**

**FIGURE 2.1A - CONNECTOR SHELLS**

**PLUG MALE CONTACTS**



Shell Size	A Max.	B Max.	C Max.	D Max.	E Max.	E		G Max.	H Max.	J Max.	M Max.	N		ØS	
						Min.	Max.					Min.	Max.	Min.	Max.
9	19.94	8.46	10.16	6.86	7.82	14.22	14.48	4.69	10.57	4.72	7.26	2.23	2.49	2.23	2.39
15	23.75	12.27	13.97	6.86	7.82	18.03	18.29	4.69	10.57	4.72	7.26	2.23	2.49	2.23	2.39
21	27.56	16.08	17.78	6.86	7.82	21.84	22.10	4.69	10.57	4.72	7.26	2.23	2.49	2.23	2.39
25	30.10	18.62	20.32	6.86	7.82	24.38	24.64	4.69	10.57	4.72	7.26	2.23	2.49	2.23	2.39
31	33.91	22.43	24.13	6.86	7.82	28.19	28.45	4.69	10.57	4.72	7.26	2.23	2.49	2.23	2.39
37	37.72	26.24	27.94	6.86	7.82	32.0	32.26	4.69	10.57	4.72	7.26	2.23	2.49	2.23	2.39
51	36.45	24.97	26.67	7.87	8.92	30.73	30.99	5.78	10.57	4.72	7.26	2.23	2.49	2.23	2.39

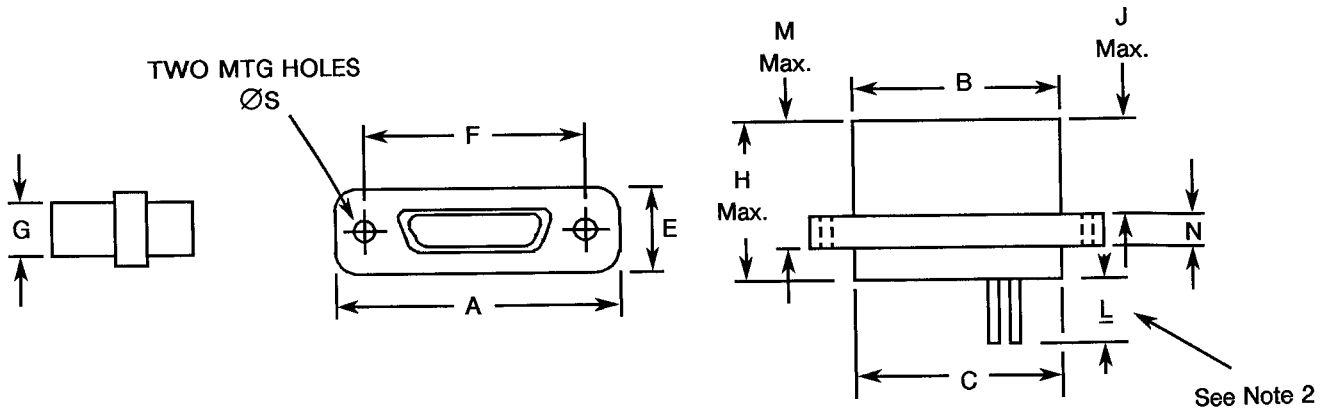
**NOTES**

- All dimensions are in millimetres.
- For minimum length of 'L' refer to Para. 4.5.3.3 of this specification.

**FIGURE 2 - PHYSICAL DIMENSIONS (CONTINUED)**

**FIGURE 2.1B - CONNECTOR SHELLS**

**RECEPTACLE FEMALE CONTACTS**



Shell Size	A Max.	B Max.	C Max.	D Max.	E Max.	F		G Max.	H Max.	J Max.	M Max.	N		ØS	
						Min.	Max.					Min.	Max.	Min.	Max.
9	19.94	10.16	10.16	6.86	7.82	14.22	14.48	6.38	10.90	5.05	7.59	2.23	2.49	2.23	2.39
15	23.75	13.97	13.97	6.86	7.82	18.03	18.29	6.38	10.90	5.05	7.59	2.23	2.49	2.23	2.39
21	27.56	17.78	17.78	6.86	7.82	21.84	22.10	6.38	10.90	5.05	7.59	2.23	2.49	2.23	2.39
25	30.10	20.32	20.32	6.86	7.82	24.38	24.64	6.38	10.90	5.05	7.59	2.23	2.49	2.23	2.39
31	33.91	24.13	24.13	6.86	7.82	28.19	28.45	6.38	10.90	5.05	7.59	2.23	2.49	2.23	2.39
37	37.72	27.94	27.94	6.86	7.82	32.00	32.26	6.38	10.90	5.05	7.59	2.23	2.49	2.23	2.39
51	36.45	26.67	26.67	7.87	8.92	30.73	30.99	7.47	10.90	5.05	7.59	2.23	2.49	2.23	2.39

**NOTES**

1. All dimensions are in millimetres.
2. For minimum length of 'L' refer to Para. 4.5.3.3 of this specification.





**FIGURE 2 - PHYSICAL DIMENSIONS (CONTINUED)**

**FIGURE 2.2A - CONNECTOR TYPE - FR136 (CONTINUED)**

**PLUG MALE CONTACTS (CONTINUED)**

Shell Size	A	B		ØB (4)		C		D	E	E		G		H	J
		Min.	Max.	Min.	Max.	Min.	Max.			Min.	Max.	Min.	Max.		
9	35.31	29.03	29.39	2.31	2.59	14.22	14.48	8.46	4.69	4.15	4.85	1.3	1.7	4.72	9.53
15	39.12	32.84	33.2	2.31	2.59	18.03	18.29	12.27	4.69	4.15	4.85	1.3	1.7	4.72	7.62
21	42.93	36.65	37.01	2.31	2.59	21.84	22.1	16.08	4.69	4.15	4.85	1.3	1.7	4.72	5.72
25	45.47	39.19	39.55	2.31	2.59	24.38	24.64	18.62	4.69	4.15	4.85	1.3	1.7	4.72	4.45
31	51.82	45.54	45.9	2.31	2.59	28.19	28.45	22.43	4.69	4.15	4.85	1.3	1.7	4.72	3.81
37	59.44	53.16	53.52	2.31	2.59	32	32.26	26.24	4.69	4.15	4.85	1.3	1.7	4.72	3.81

Shell Size	K	K1		M		N		P		Q		R		S		T		U
		Min.	Max.	Min.	Max.	Min.	Max.	Min.	Max.	Min.	Max.	Min.	Max.	Min.	Max.	Min.	Max.	
9	2.54	3.56	4.06	9.0	9.2	5.15	5.45	2.79	3.55	2.0	2.1	4.6	0.2	0.4	2.23	2.49	11.56	
15	2.54	3.56	4.06	9.0	9.2	5.15	5.45	2.79	3.55	2.0	2.1	4.6	0.2	0.4	2.23	2.49	11.56	
21	2.54	3.56	4.06	9.0	9.2	5.15	5.45	2.79	3.55	2.0	2.1	4.6	0.2	0.4	2.23	2.49	11.56	
25	2.54	3.56	4.06	9.0	9.2	5.15	5.45	2.79	3.55	2.0	2.1	4.6	0.2	0.4	2.23	2.49	11.56	
31	2.54	3.56	4.06	9.0	9.2	5.15	5.45	2.79	3.55	2.0	2.1	4.6	0.2	0.4	2.23	2.49	11.56	
37	2.54	3.56	4.06	9.0	9.2	5.15	5.45	2.79	3.55	2.0	2.1	4.6	0.2	0.4	2.23	2.49	11.56	

**NOTES**

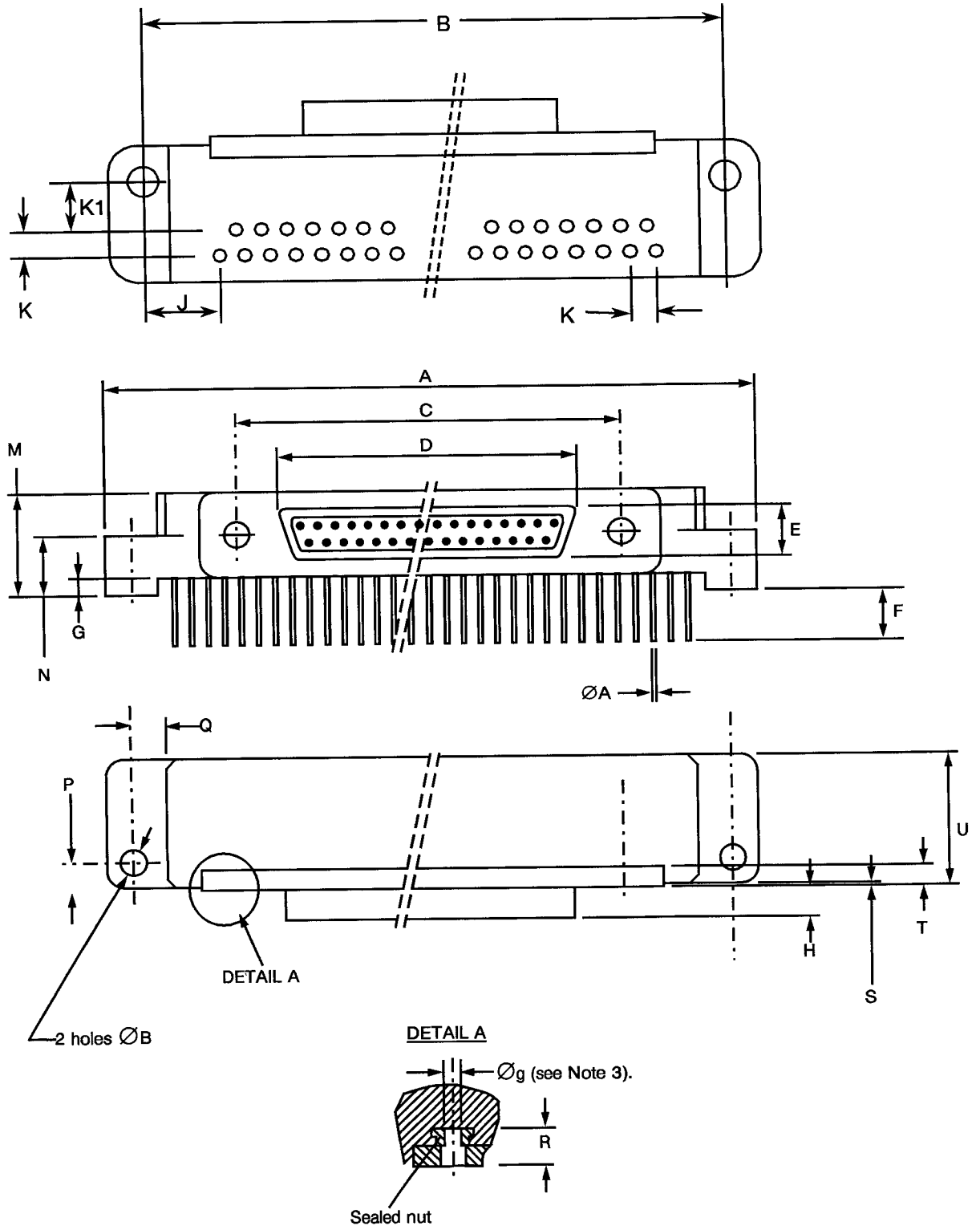
1. All dimensions are in millimetres.
2. For ØA refer to Para. 4.5.3.3 of this specification.
3. Øg: 2-56-UNC-2B.
4. Maximum torque 0.44 Nm.



**FIGURE 2 - PHYSICAL DIMENSIONS (CONTINUED)**

**FIGURE 2.2B - CONNECTORS TYPE -FR136**

**RECEPTACLE FEMALE CONTACTS**





**FIGURE 2 - PHYSICAL DIMENSIONS (CONTINUED)**

**FIGURE 2.2B - CONNECTOR TYPE - FR136 (CONTINUED)**

**RECEPTACLE FEMALE CONTACTS (CONTINUED)**

Shell Size	A		B		ØB (4)		C		D		E		F		G		H	J
	Max.	Min.	Max.	Min.	Max.	Min.	Max.	Min.	Max.	Min.	Max.	Min.	Max.	Min.	Max.	Min.	Max.	Typ.
9	35.31	29.03	29.39	2.31	2.59	14.22	14.48	10.16	6.38	4.15	4.85	1.3	1.7	5.05	9.53			
15	39.12	32.84	33.2	2.31	2.59	18.03	18.29	13.97	6.38	4.15	4.85	1.3	1.7	5.05	7.62			
21	42.93	36.65	37.01	2.31	2.59	21.84	22.1	17.78	6.38	4.15	4.85	1.3	1.7	5.05	5.72			
25	45.47	39.19	39.55	2.31	2.59	24.38	24.64	20.32	6.38	4.15	4.85	1.3	1.7	5.05	4.45			
31	51.82	45.54	45.9	2.31	2.59	28.19	28.45	24.13	6.38	4.15	4.85	1.3	1.7	5.05	3.81			
37	59.44	53.16	53.52	2.31	2.59	32.0	32.26	27.94	6.38	4.15	4.85	1.3	1.7	5.05	3.81			

Shell Size	K	K1		M		N		P		Q		R		S		T	U
		Min.	Max.	Min.	Max.	Min.	Max.	Min.	Max.	Min.	Max.	Min.	Max.	Min.	Max.	Min.	Max.
9	2.54	3.56	4.06	9.0	9.2	5.15	5.45	2.79	3.55	2.0	2.1	4.6	0.2	0.4	2.23	2.49	11.56
15	2.54	3.56	4.06	9.0	9.2	5.15	5.45	2.79	3.55	2.0	2.1	4.6	0.2	0.4	2.23	2.49	11.56
21	2.54	3.56	4.06	9.0	9.2	5.15	5.45	2.79	3.55	2.0	2.1	4.6	0.2	0.4	2.23	2.49	11.56
25	2.54	3.56	4.06	9.0	9.2	5.15	5.45	2.79	3.55	2.0	2.1	4.6	0.2	0.4	2.23	2.49	11.56
31	2.54	3.56	4.06	9.0	9.2	5.15	5.45	2.79	3.55	2.0	2.1	4.6	0.2	0.4	2.23	2.49	11.56
37	2.54	3.56	4.06	9.0	9.2	5.15	5.45	2.79	3.55	2.0	2.1	4.6	0.2	0.4	2.23	2.49	11.56

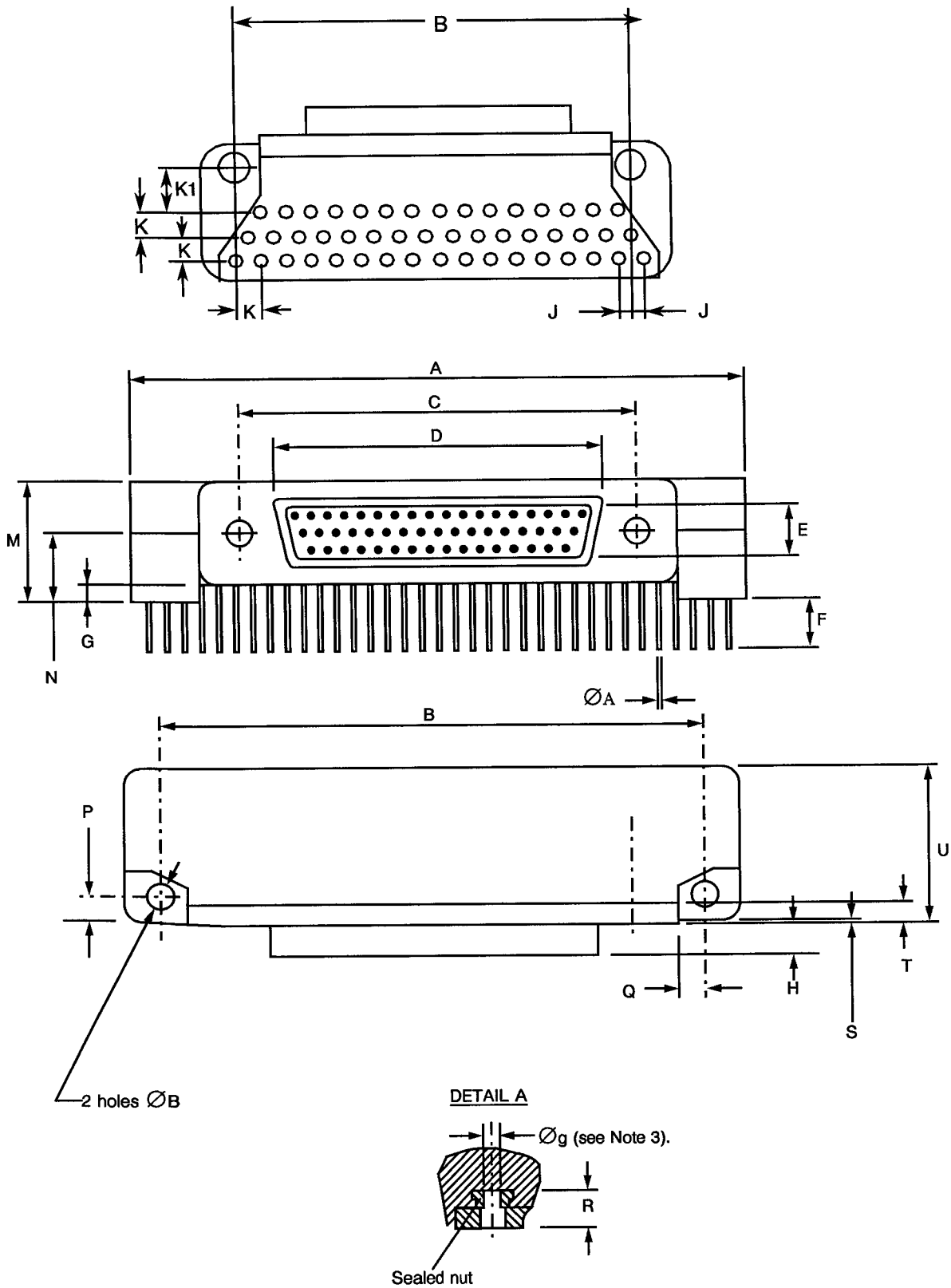
**NOTES**

1. All dimensions are in millimetres.
2. For ØA refer to Para. 4.5.3.3 of this specification.
3. Øg: 2-56-UNC-2B.
4. Maximum torque 0.44Nm.

**FIGURE 2 - PHYSICAL DIMENSIONS (CONTINUED)**

**FIGURE 2.2C - CONNECTORS TYPE -FR136**

**PLUG MALE CONTACTS**





**FIGURE 2 - PHYSICAL DIMENSIONS (CONTINUED)**

**FIGURE 2.2C - CONNECTOR TYPE - FR136 (CONTINUED)**

**PLUG MALE CONTACTS (CONTINUED)**

Shell Size	A	B		ØB (4)		C	D	E	E		G		H	J
		Min.	Max.	Min.	Max.				Min.	Max.	Min.	Max.		
51	47.63	40.46	40.82	2.31	2.59	30.73	24.97	5.78	4.15	4.85	1.3	1.7	4.72	1.27

Shell Size	K	K1		M		N	P	Q	R	S		T	U
		Min.	Max.	Min.	Max.					Min.	Max.		
51	2.54	3.56	4.06	10.10	10.40	5.81	2.79	2.05	4.5	0.2	0.4	2.23	14.35

**NOTES**

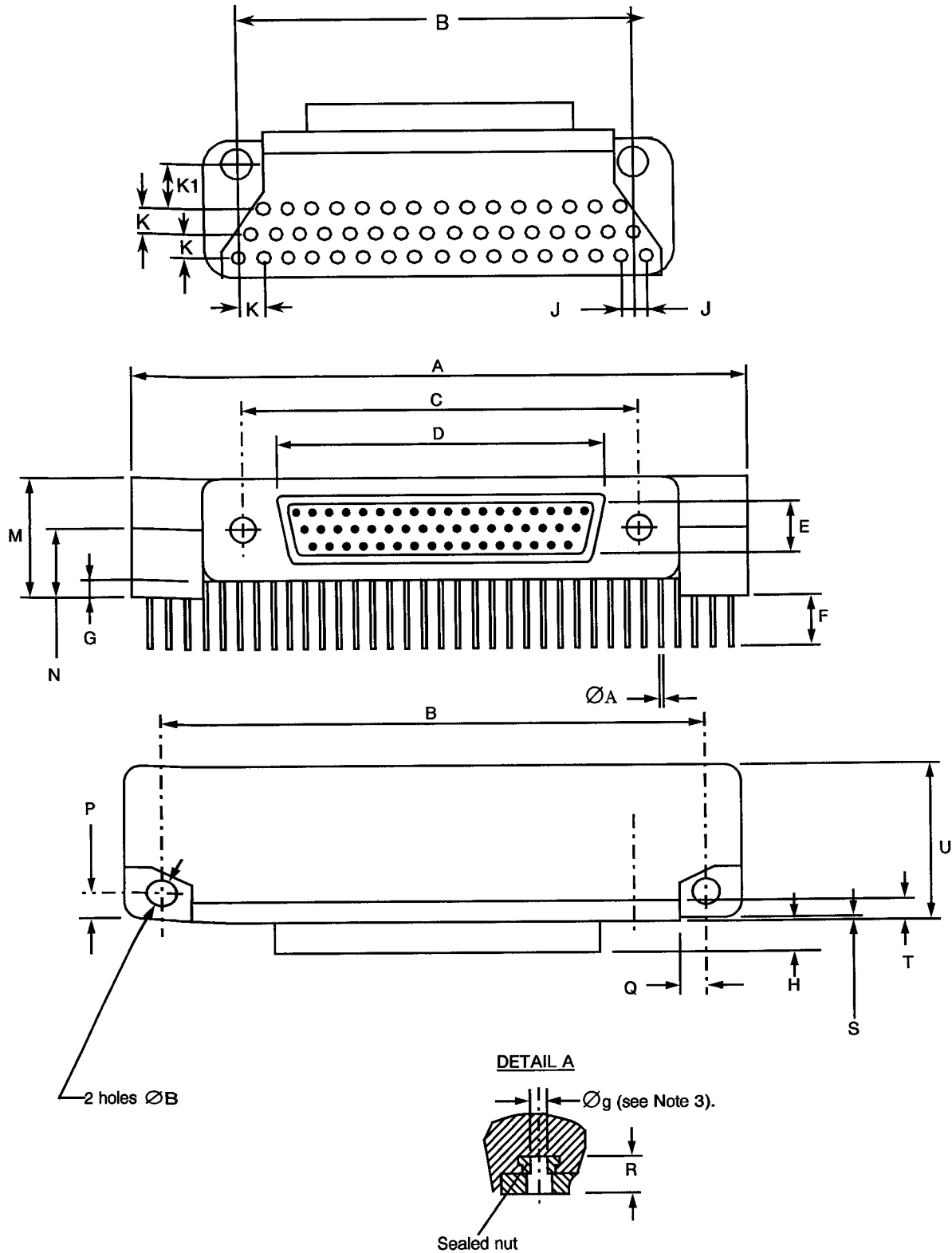
1. All dimensions are in millimetres.
2. For ØA refer to Para. 4.5.3.3 of this specification.
3. Øg: 2-56-UNC-2B.
4. Maximum torque 0.44Nm.



**FIGURE 2 - PHYSICAL DIMENSIONS (CONTINUED)**

**FIGURE 2.2D - CONNECTORS TYPE -FR136**

**RECEPTACLE FEMALE CONTACTS**





**FIGURE 2 - PHYSICAL DIMENSIONS (CONTINUED)**

**FIGURE 2.2D - CONNECTOR TYPE - FR136 (CONTINUED)**

**RECEPTACLE FEMALE CONTACTS (CONTINUED)**

Shell Size	A	B		ØB (4)		C		D	E	F		G		H	J
		Min.	Max.	Min.	Max.	Min.	Max.			Min.	Max.	Min.	Max.		
51	47.63	40.46	40.82	2.31	2.59	30.73	30.99	26.67	7.47	4.15	4.85	1.3	1.7	5.05	1.27

Shell Size	K	K1		M	N		P		Q		R	S		T	U			
		Min.	Max.		Min.	Max.	Min.	Max.	Min.	Max.		Min.	Max.					
51	2.54	3.56	4.06	10.10	10.40	5.81	6.11	2.79	3.55	2.05	2.15	4.5	0.2	0.4	2.23	2.49	2.49	14.35

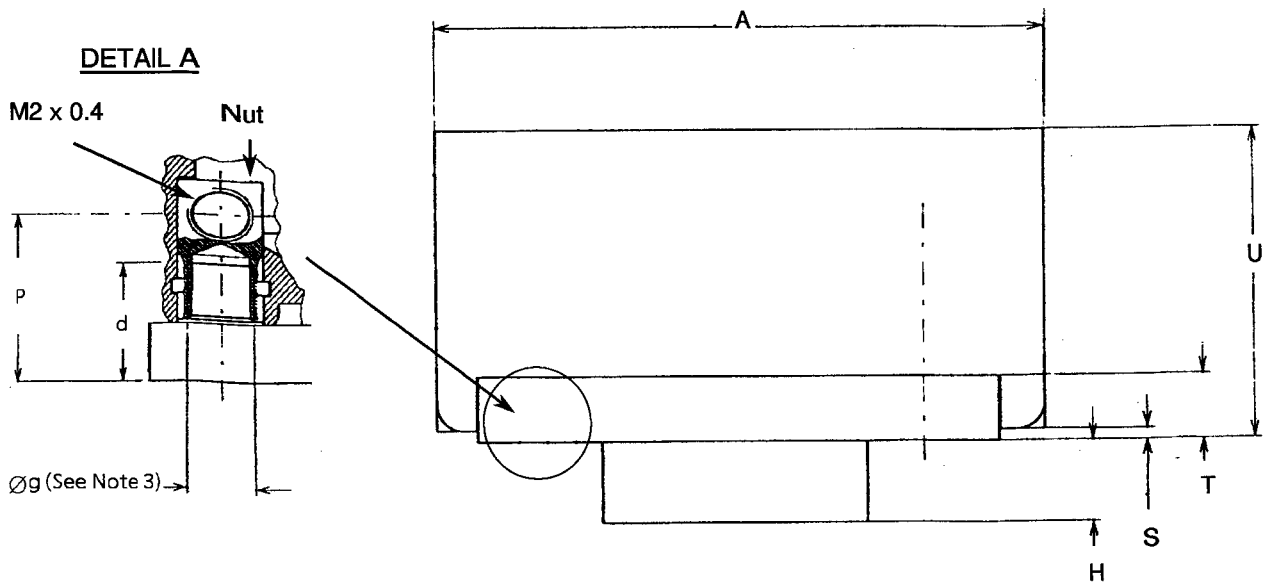
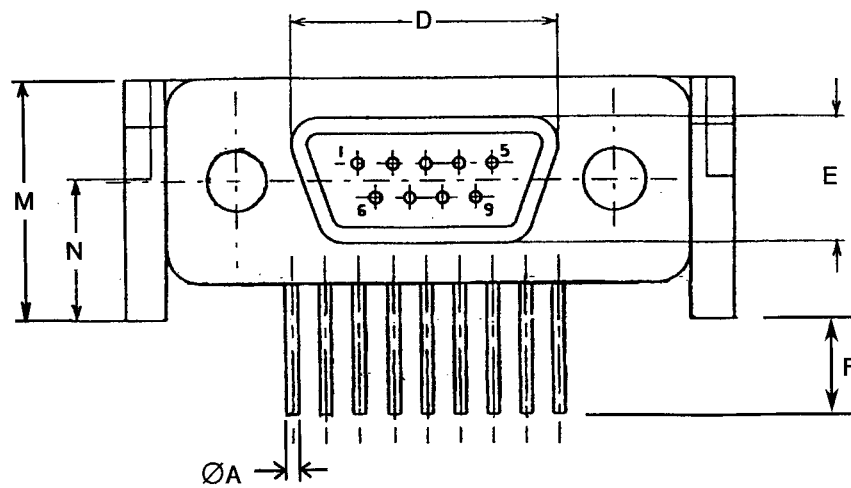
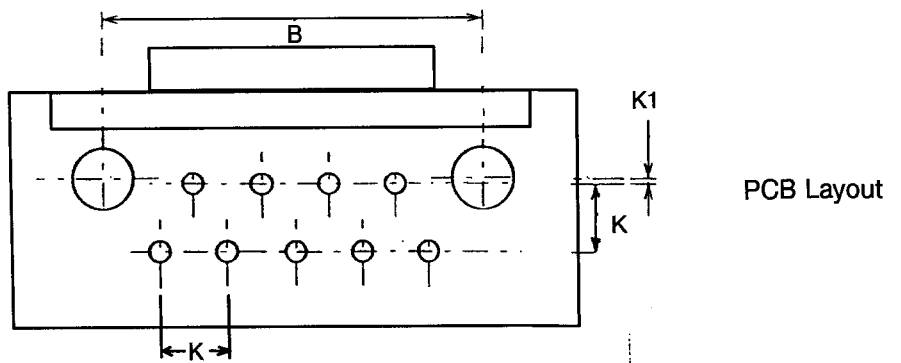
**NOTES**

1. All dimensions are in millimetres.
2. For ØA refer to Para. 4.5.3.3 of this specification.
3. Øg: 2-56-UNC-2B.
4. Maximum torque 0.44Nm.

**FIGURE 2 - PHYSICAL DIMENSIONS (CONTINUED)**

**FIGURE 2.2E - CONNECTORS TYPE - FR136A**

**PLUG MALE CONTACTS**





**FIGURE 2 - PHYSICAL DIMENSIONS (CONTINUED)**

**FIGURE 2.2E - CONNECTOR TYPE - FR136A (CONTINUED)**

**PLUG MALE CONTACTS (CONTINUED)**

Shell Size	A	B		d	D	E	E		H	K	K1
	Max.	Min.	Max.	Min.	Max.	Max.	Min.	Max.	Max.	Typ.	
9	23.12	14.22	14.48	4.6	8.46	4.69	3.3	3.7	4.72	2.54	0.2

Shell Size	M		N		P		S		T		U
	Min.	Max.	Min.	Max.	Min.	Max.	Min.	Max.	Min.	Max.	
9	9.0	9.2	5.15	5.45	6.48	7.24	0.2	0.4	2.23	2.49	11.5

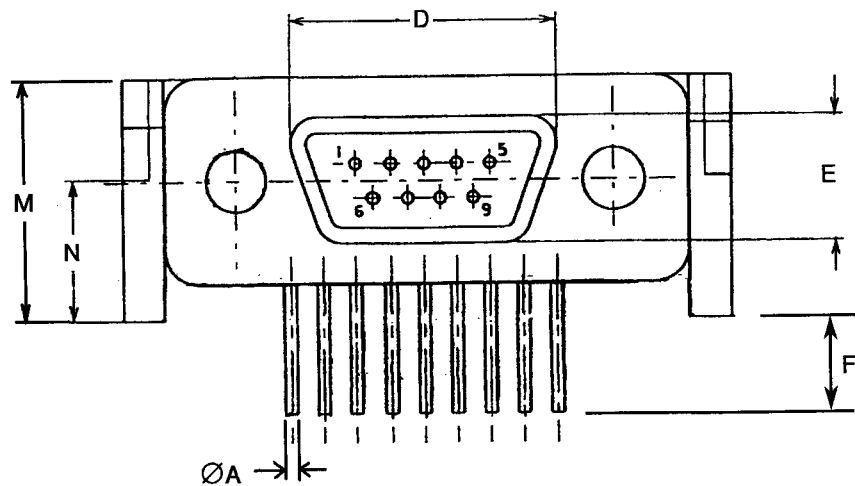
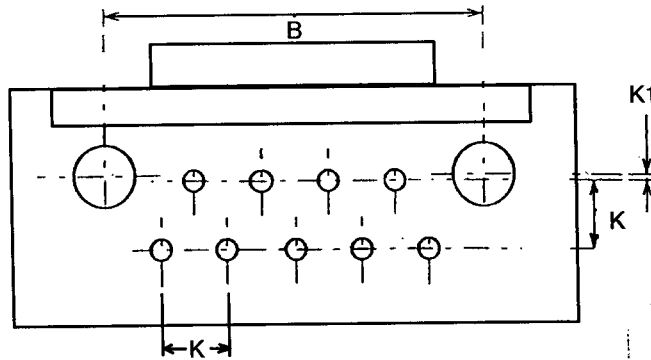
**NOTES**

1. All dimensions are in millimetres.
2. For ØA refer to Para. 4.5.3.3 of this specification.
3. Øg: 2-56-UNC-2B.

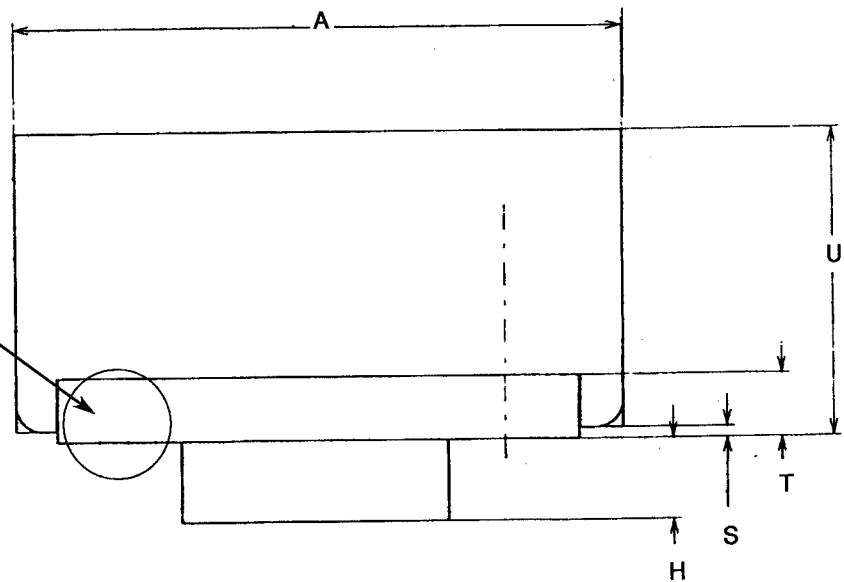
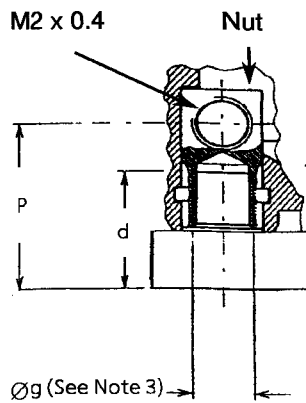
**FIGURE 2 - PHYSICAL DIMENSIONS (CONTINUED)**

**FIGURE 2.2F - CONNECTORS TYPE - FR136A (CONTINUED)**

**RECEPTACLE FEMALE CONTACTS**



**DETAIL A**





ESCC Detail Specification  
No. 3401/029

**FIGURE 2 - PHYSICAL DIMENSIONS (CONTINUED)**

**FIGURE 2.2F - CONNECTOR TYPE - FR136A (CONTINUED)**

**RECEPTACLE FEMALE CONTACTS (CONTINUED)**

Shell Size	A	B		d	D	E	E		H	K	K1
	Max.	Min.	Max.	Min.	Max.	Max.	Min.	Max.	Max.	Typ.	
9	23.12	14.22	14.48	4.6	10.16	6.38	3.3	3.7	5.05	2.54	0.2

Shell Size	M		N		P		S		T		U
	Min.	Max.	Min.	Max.	Min.	Max.	Min.	Max.	Min.	Max.	
9	9.0	9.2	5.15	5.45	6.48	7.24	0.2	0.4	2.23	2.49	11.5

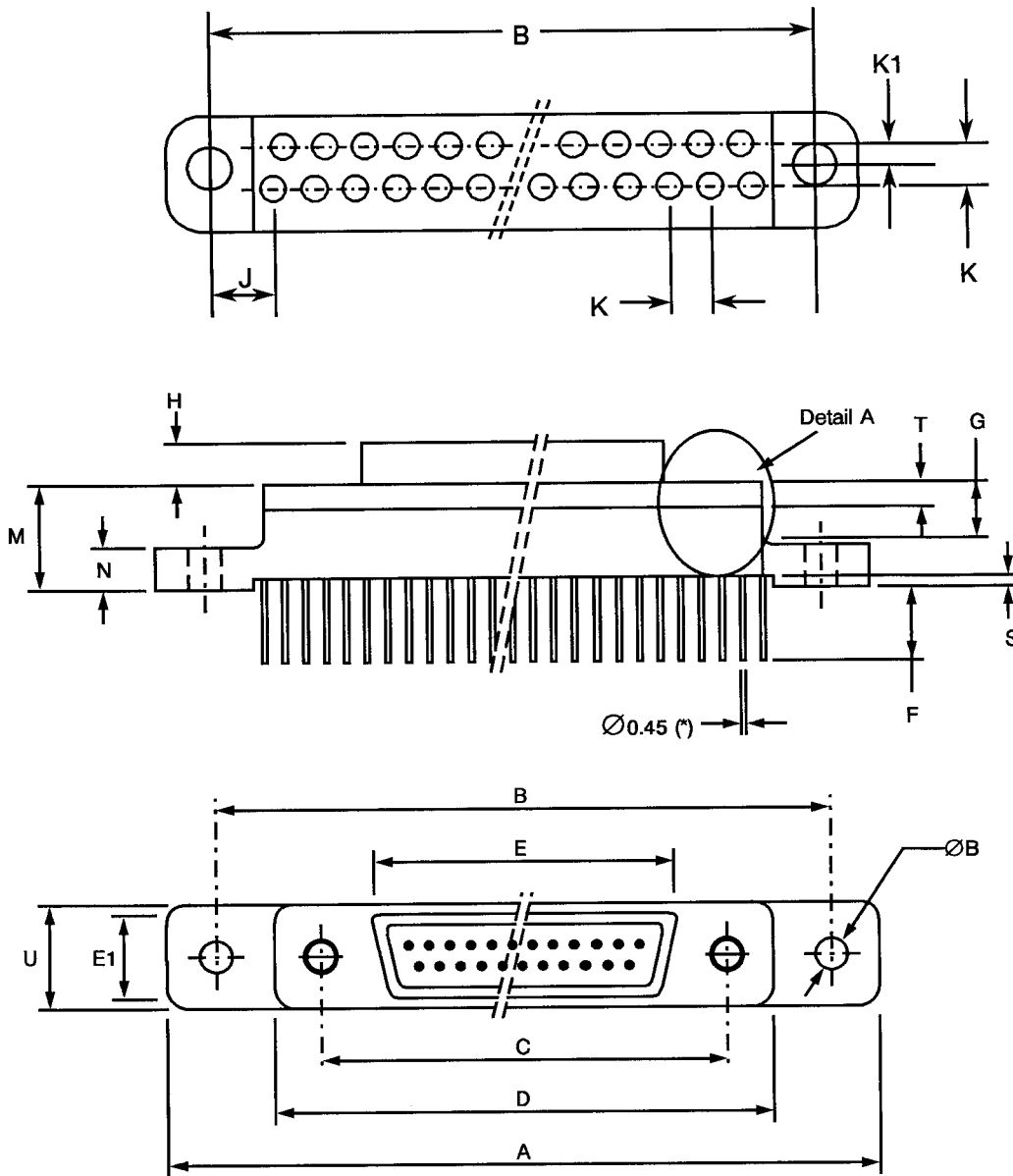
**NOTES**

1. All dimensions are in millimetres.
2. For ØA refer to Para. 4.5.3.3 of this specification.
3. Øg: 2-56-UNC-2B.

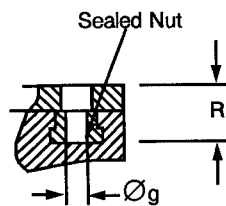
**FIGURE 2 - PHYSICAL DIMENSIONS (CONTINUED)**

**FIGURE 2.2G - CONNECTORS TYPE -FR139**

**PLUG MALE CONTACTS**



**DETAIL A**





**FIGURE 2 - PHYSICAL DIMENSIONS (CONTINUED)**

**FIGURE 2.2G - CONNECTOR TYPE - FR139 (CONTINUED)**

**PLUG MALE CONTACTS (CONTINUED)**

Shell Size	A		B		ØB (4)		C		D	E	E1	E		G	H	J
	Max.	Min.	Max.	Min.	Max.	Min.	Max.	Min.	Max.	Max.	Max.	Min.	Max.	Min.	Max.	Typ.
9	35.31	29.03	29.39	2.31	2.59	14.22	14.48	19.94	8.46	4.69	4.15	4.85	4.6	4.72	9.53	
15	35.31	29.03	29.39	2.31	2.59	18.03	18.29	23.75	12.27	4.69	4.15	4.85	4.6	4.72	5.72	
21	42.93	36.65	37.01	2.31	2.59	21.84	22.1	27.56	16.08	4.69	4.15	4.85	4.6	4.72	5.72	
25	44.2	37.92	38.28	2.31	2.59	24.38	24.64	30.10	18.62	4.69	4.15	4.85	4.6	4.72	3.81	
31	51.82	45.54	45.9	2.31	2.59	28.19	28.45	33.91	22.43	4.69	4.15	4.85	4.6	4.72	3.81	
37	59.44	53.16	53.52	2.31	2.59	32.0	32.26	37.72	26.24	4.69	4.15	4.85	4.6	4.72	3.81	

Shell Size	K	K1	M		N		R	S		T		U
	Typ.	Typ.	Min.	Max.	Min.	Max.	Min.	Min.	Max.	Min.	Max.	Max.
9	2.54	1.27	8.62	9.02	4.0	4.2	4.6	0.9	1.1	2.23	2.49	7.82
15	2.54	1.27	8.62	9.02	4.0	4.2	4.6	0.9	1.1	2.23	2.49	7.82
21	2.54	1.27	8.62	9.02	4.0	4.2	4.6	0.9	1.1	2.23	2.49	7.82
25	2.54	1.27	8.62	9.02	4.0	4.2	4.6	0.9	1.1	2.23	2.49	7.82
31	2.54	1.27	8.62	9.02	4.0	4.2	4.6	0.9	1.1	2.23	2.49	7.82
37	2.54	1.27	8.62	9.02	4.0	4.2	4.6	0.9	1.1	2.23	2.49	7.82

**NOTES**

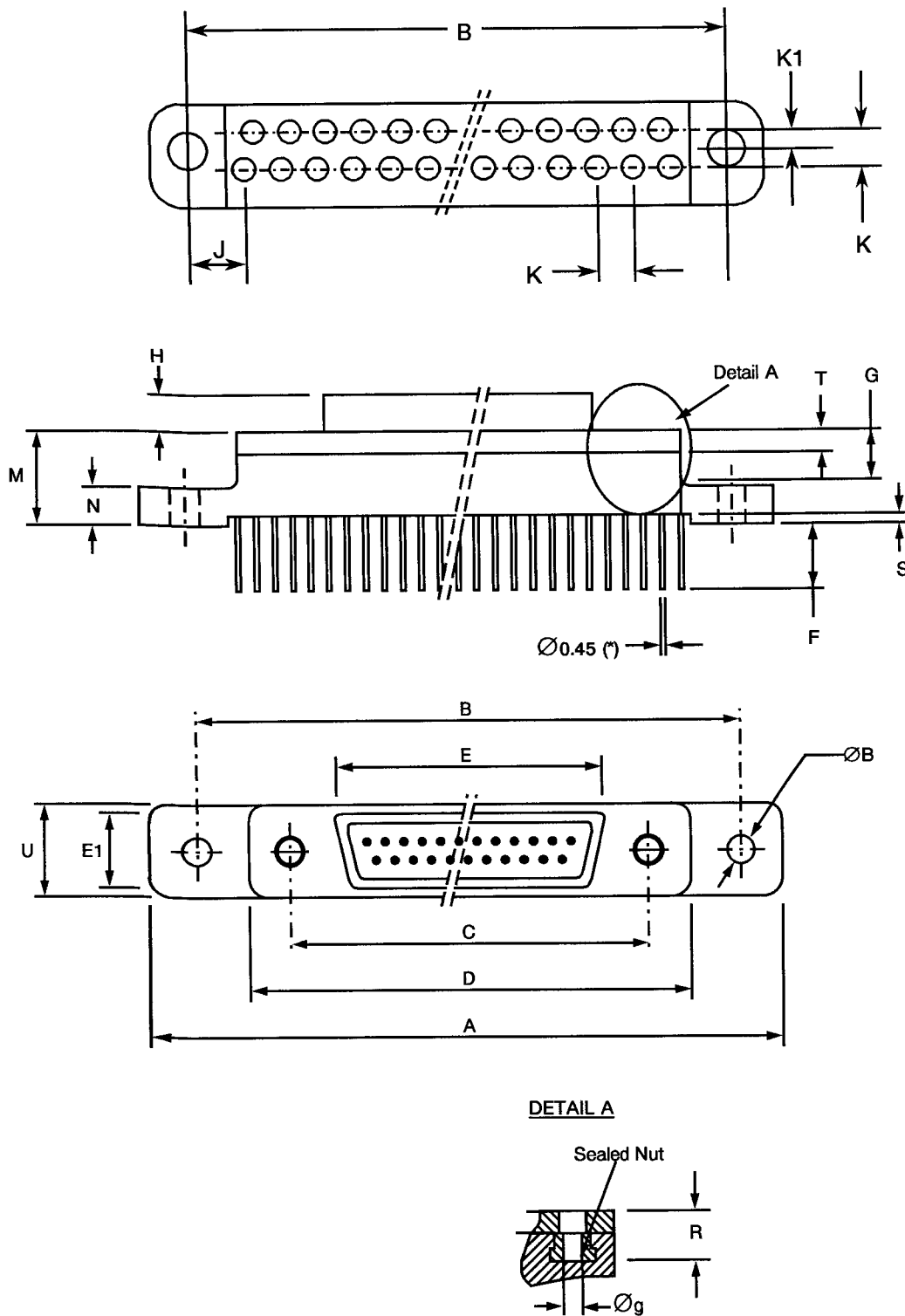
1. All dimensions are in millimetres.
2. For ØA refer to Para. 4.5.3.3 of this specification.
3. Øg: 2-56-UNC-2B.
4. Maximum torque 0.44Nm.



**FIGURE 2 - PHYSICAL DIMENSIONS (CONTINUED)**

**FIGURE 2.2H - CONNECTORS TYPE -FR139**

**RECEPTACLE FEMALE CONTACTS**





**FIGURE 2 - PHYSICAL DIMENSIONS (CONTINUED)**

**FIGURE 2.2H - CONNECTOR TYPE - FR139 (CONTINUED)**

RECEPTACLE FEMALE CONTACTS (CONTINUED)

Shell Size	A		B		ØB (4)		C		D	E	E1	F		G	H	J	K
	Max.	Min.	Max.	Min.	Max.	Min.	Max.	Min.	Max.	Max.	Max.	Min.	Max.	Min.	Max.	Typ.	Typ.
9	35.31	29.03	29.39	2.31	2.59	14.22	14.48	19.94	10.16	6.38	4.15	4.85	4.6	5.05	9.53	2.54	
15	35.31	29.03	29.39	2.31	2.59	18.03	18.29	23.35	13.97	6.38	4.15	4.85	4.6	5.05	5.72	2.54	
21	42.93	36.65	37.01	2.31	2.59	21.84	22.1	27.56	17.78	6.38	4.15	4.85	4.6	5.05	5.72	2.54	
25	44.2	37.92	38.28	2.31	2.59	24.38	24.64	30.10	20.32	6.38	4.15	4.85	4.6	5.05	3.81	2.54	
31	51.82	45.54	45.9	2.31	2.59	28.19	28.45	33.91	24.13	6.38	4.15	4.85	4.6	5.05	3.81	2.54	
37	59.44	53.16	53.52	2.31	2.59	32.0	32.26	37.72	27.94	6.38	4.15	4.85	4.6	5.05	3.81	2.54	

Shell Size	K1		M		N		R	S		T		U
	Min.	Max.	Min.	Max.	Min.	Max.	Min.	Max.	Min.	Max.	Max.	
9	1.27	9.02	8.62	9.02	4.0	4.2	4.6	0.9	1.1	2.23	2.49	7.82
15	1.27	9.02	8.62	9.02	4.0	4.2	4.6	0.9	1.1	2.23	2.49	7.82
21	1.27	9.02	8.62	9.02	4.0	4.2	4.6	0.9	1.1	2.23	2.49	7.82
25	1.27	9.02	8.62	9.02	4.0	4.2	4.6	0.9	1.1	2.23	2.49	7.82
31	1.27	9.02	8.62	9.02	4.0	4.2	4.6	0.9	1.1	2.23	2.49	7.82
37	1.27	9.02	8.62	9.02	4.0	4.2	4.6	0.9	1.1	2.23	2.49	7.82

**NOTES**

1. All dimensions are in millimetres.
2. For ØA refer to Para. 4.5.3.3 of this specification.
3. Øg: 2-56-UNC-2B.
4. Maximum torque 0.44Nm.

**FIGURE 2 - PHYSICAL DIMENSIONS (CONTINUED)**

**FIGURE 2.3 - CONTACT POSITION**

Figure 2.3.1 - Mounting Condition

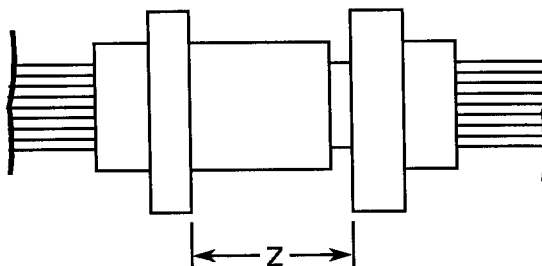


Figure 2.3.2 - Plug Male Contact

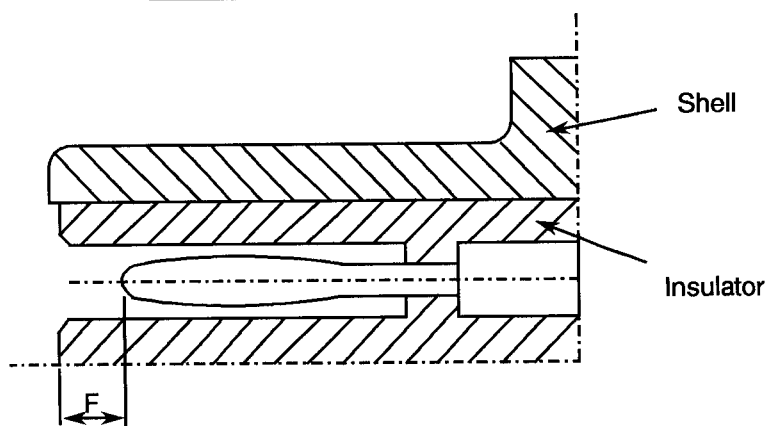
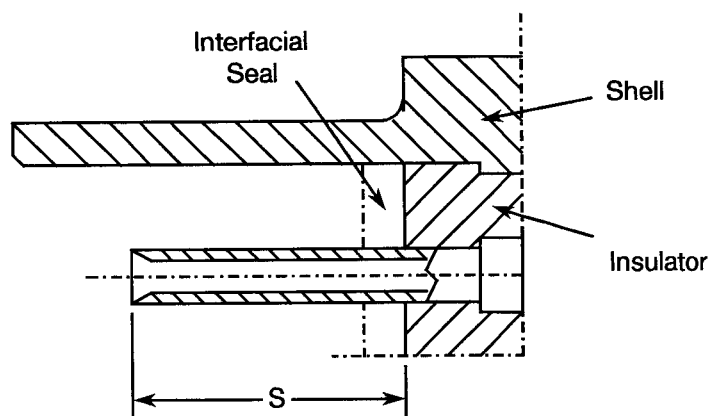


Figure 2.3.3 - Receptacle Female Contact



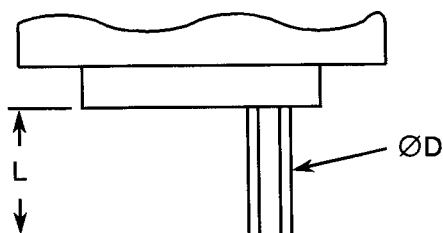
F		S		Z
Min.	Max.	Min.	Max.	Max.
0.25	0.91	3.30	3.66	5.49

**NOTES**

1. All dimensions are in millimetres.

**FIGURE 2 - PHYSICAL DIMENSIONS (CONTINUED)**

**FIGURE 2-4 - UNINSULATED SOLID WIRES**

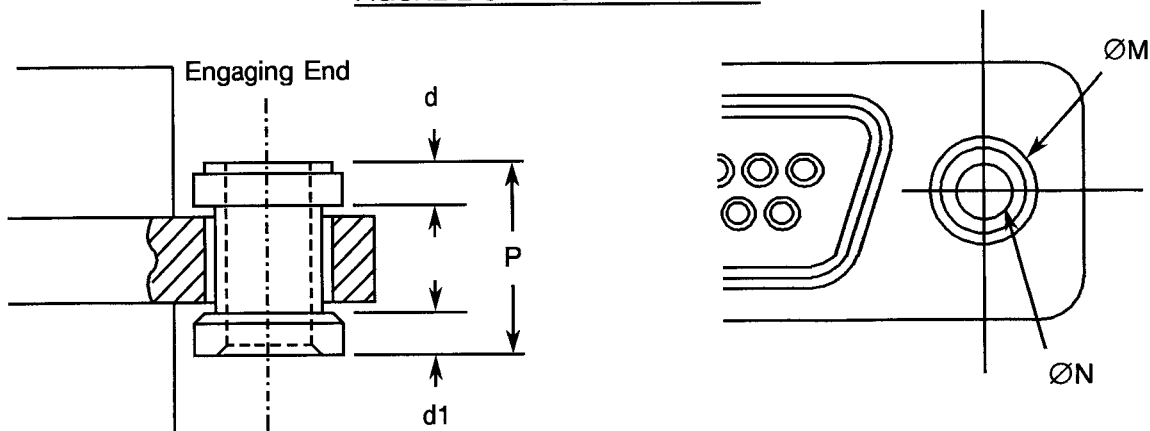


Wire Size (AWG)	25
Max. Diameter 'D' (mm)	0.46
Min. Diameter 'D' (mm)	0.45
Min. Gold Plating Thickness ( $\mu\text{m}$ )	0.5
Max. Weight (g/m)	1.6
Min. Length 'L'	See Para. 4.5.3.3

**FIGURE 2-5 INSULATED WIRES**

		ESCC 3901/002		ESCC 3901/013	
		Wire Size (AWG)			
		26	28	26	28
Conductor Characteristics	Maximum Diameter (mm)	0.53	0.43	0.5	0.42
	Nominal Cross-section ( $\text{mm}^2$ )	0.15	0.1	0.14	0.1
Wire Characteristics	Maximum diameter (mm)	0.78	0.68	0.89	0.82
	Maximum Weight (g/m)	1.93	1.23	2.3	1.8
	Colour	Black	Brown	Natural	Natural
	Minimum Length	See Para. 4.5.3.3			

**FIGURE 2-6 - FLOATING MOUNT**



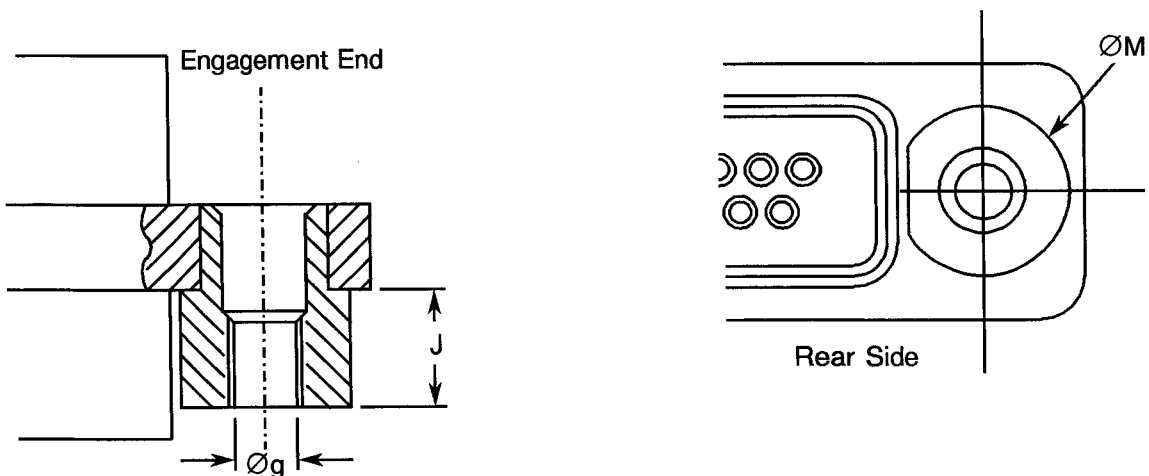
P Max.	d	d1	$\varnothing M$ Max.	$\varnothing N$ Min.
4.70	1.0	0.8	4.0	2.26

**NOTES**

1. All dimensions are in millimetres.
2. Total Lateral Float 0.4 typical.
3. Total Axial Float 0.4 typical.

**FIGURE 2 - PHYSICAL DIMENSIONS (CONTINUED)**

**FIGURE 2.7 - CAPTIVE NUT**



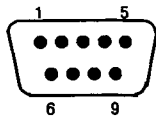
$\varnothing g$	J Max.	$\varnothing M$ Max.
Note 2	2.60	5.1

**NOTES**

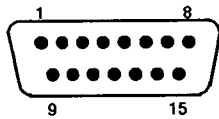
1. All dimensions are in millimetres.
2.  $\varnothing g$ : 2-56 UNC 2B, Maximum Torque 0.44Nm.

**FIGURE 3 - CONTACT ARRANGEMENTS**

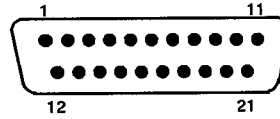
FRONT VIEW OF MALE INSERT - USE MIRROR VIEW FOR FEMALE INSERT



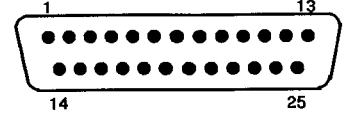
9 CONTACTS



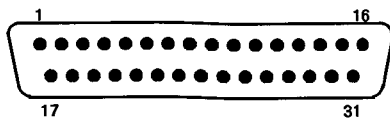
15 CONTACTS



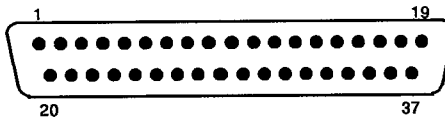
21 CONTACTS



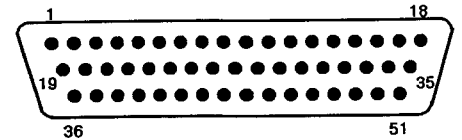
25 CONTACTS



31 CONTACTS



37 CONTACTS

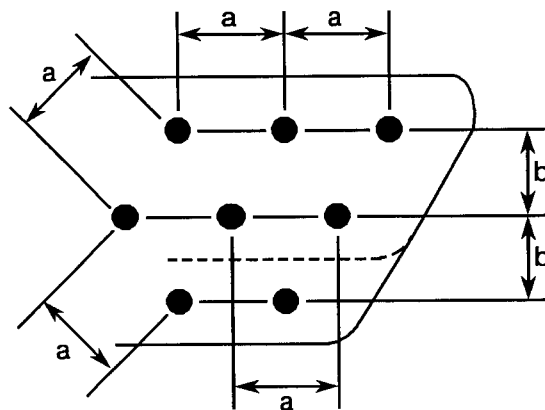


51 CONTACTS

**NOTES**

1. Only the outside contact cavities on each row are identified in the drawing, the remainder follow sequentially. Contact numbers are shown outside the insert for readability.

Contact Centres



**NOTES**

1. a = Distance between contact centres: 1.27mm typical.
2. b = Distance between rows: 1.09mm typical.



**4. REQUIREMENTS**

**4.1 GENERAL**

The complete requirements for procurement of the connectors specified herein are stated in this specification and ESCC Generic Specification No. 3401. Deviations from the Generic Specification, applicable to this specification only, are listed in Para. 4.2.

Deviations from the applicable Generic Specification and this Detail Specification, formally agreed with specific Manufacturers on the basis that the alternative requirements are equivalent to the ESCC requirements and do not affect the components' reliability, are listed in the appendices attached to this specification.

**4.2 DEVIATIONS FROM GENERIC SPECIFICATION**

**4.2.1 Deviations from Special In-process Controls**

Para. 9.15, Joint Strength: The contacts shall be crimped to insulated stranded wire AWG26 and AWG28, and to uninsulated solid wire AWG25. The value of failure shall be recorded together with the information as to whether the failure was "pull-out", "break in crimp" or "break in wire". The minimum tensile strength shall be as follows:

WIRE	MALE AND FEMALE CONTACTS		
	AWG26	AWG28	AWG25 - Solid Uninsulated
Tensile Strength (N)	22	13	22

**4.2.2 Deviations from Final Production Tests (Chart II)**

(a) Para. 9.4, Contact Capability: This test shall be performed on the male contacts. For details see Para. 4.3.3 of this specification.

(b) Para. 9.5, Magnetism Level: Not applicable.

**4.2.3 Deviations from Burn-in and Electrical Measurements (Chart III)**

None.

**4.2.4 Deviations from Qualification Tests (Chart IV)**

(a) Para. 9.15, Joint Strength: Not applicable.

(b) Para. 9.17, Contact Retention (In insert): Not applicable with male contact.

(c) Para. 9.27, Maintenance Ageing: Not applicable.

(d) Para. 9.29, Oversize Pin Exclusion: Not applicable.

(e) Para. 9.30, Probe Damage: Not applicable.

**4.2.5 Deviations from Lot Acceptance Tests (Chart V)**

(a) Para. 9.15, Joint Strength: Not applicable.

(b) Para. 9.17, Contact Retention (In insert): Not applicable with male contact.

(c) Para. 9.27, Maintenance Ageing: Not applicable.

(d) Para. 9.29, Oversize Pin Exclusion: Not applicable.

(e) Para. 9.30, Probe Damage: Not applicable.

4.3 MECHANICAL REQUIREMENTS

4.3.1 Dimension Check

The dimensions of the connectors specified herein shall be verified in accordance with the requirements set out in Para. 9.6 of ESCC Generic Specification No. 3401 and shall conform to those shown in Figure 2 of this specification. Only the underlined dimensions shall be checked during procurement.

4.3.2 Weight

The maximum weight of the connectors specified herein shall be calculated on the basis of, and be in accordance with the values given in Table 1(a) and in Figures 2-4 and 2-5 of this specification.

4.3.3 Contact Capability

For the purpose of this test, the pick-up and drop weights shall be as follows.

MEASUREMENTS	PICK-UP WEIGHT	DROP WEIGHT
Weight (g)	14	170
Inner Gauge Diameter (mm) (1)	0.582 - 0.587	0.559 - 0.564
Insertion Depth (mm)	1.5	1.5

**NOTES**

1. See Figure 4 for  $\varnothing A$ .

4.3.4 Contact Retention (In insert)

Contact retention within the insert shall be 22.25 Newtons. There shall be no displacement of the contact. Not applicable to male contacts.

4.3.5 Mating and Unmating Forces

The forces applied for the mating and unmating of the connectors shall conform to the values specified in Table 1(a).

4.3.6 Insert Retention (In shell)

Connector inserts shall withstand a pressure of 34.4N/cm<sup>2</sup> applied from the mating side to the rear side.

4.3.7 Jackscrew Retention

Not applicable.

4.3.8 Contact Insertion and Withdrawal Forces

Not applicable.

4.3.9 Engagement and Separation Forces (Male Contacts)

The contact engagement and separation forces of the male contacts shall be tested to a depth of 1.5mm with the applicable test gauge fixtures specified in Figure 4 of this specification, and shall not exceed the values of the table hereunder.

MEASUREMENTS	INNER DIAMETER (mm)		SEPARATION FORCE Min. (N)	ENGAGEMENT FORCE Max. (N)
	Min.	Max.		
Max. Gauge Fixture	0.559	0.564	-	1.667
Min. Gauge Fixture	0.582	0.587	0.137	-





4.3.10 Oversize Pin Exclusion

Not applicable.

4.3.11 Probe Damage

Not applicable.

4.3.12 Solderability

Not applicable.

4.4 MATERIALS AND FINISHES

The materials and finishes shall be as specified herein. Where a definite material is not specified, a material which will enable the connectors specified herein to meet the performance requirements of this specification shall be used. Acceptance or approval of any constituent material does not guarantee acceptance of the finished product.

4.4.1 Shells

Shells shall be made of aluminium alloy. The plating shall be 25.4µm minimum of electroless nickel (Variant 01) or with a minimum thickness of 2.54µm of gold over an electroless nickel underlay (Variant 02).

4.4.2 Inserts

Inserts shall be made of glass fibre-filled diallylphthalate resin or suitable thermoplastic material.

4.4.3 Contacts

4.4.3.1 Female Contacts

The contact body shall be made of copper alloy with an underplate of 1.0µm minimum of copper to MIL-C-14550, gold plated with 1.27µm minimum of gold, Type 2, Grade C of MIL-G-45204. Measurement of thickness shall be performed at a distance of 1.5mm from the engagement end.

4.4.3.2 Male Contacts

The contact body and the bundle shall be made of copper alloy with an underplate of 1.0µm minimum of copper to MIL-C-14550, gold plated with 1.27µm minimum of gold, Type 2, Grade C of MIL-G-45204. Measurement of thickness shall be performed at a distance of 1.5mm from the engagement end.

4.4.4 Seals Interfacial

Interfacial seals shall be made of silicon base rubber.

4.4.5 Insulated Wires

Wire materials and finishes shall be in accordance with the requirements specified in Para. 4.4 of ESCC Detail Specifications No. 3902/002 and 3901/013.

4.4.6 Uninsulated Solid Wire

Uninsulated solid wires shall be made of copper alloy in accordance with Type 'S' as specified in QQ-W-343. They shall be gold-plated in accordance with Class  $\emptyset\emptyset$ , Grade C or D, as specified in MIL-G-45204.

4.4.7 Rear Potting

Rear potting shall be made of epoxy resin. For connectors Type FR136, Type FR136A and Type FR139, the rear container shall be made from glass-fibre filled diallylphthalate resin.

4.5 MARKING

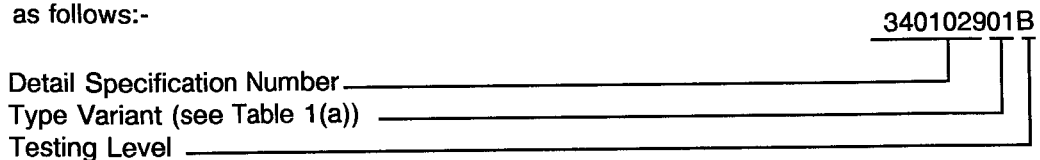
4.5.1 General

The marking of all components delivered to this specification shall be in accordance with the requirements of ESCC Basic Specification No. 21700 and the following paragraphs. Each component shall be marked in respect of:-

- (a) The ESCC Component Number.
- (b) Characteristics.
- (c) Traceability Information.

4.5.2 The ESCC Component Number

Each component shall bear the ESCC Component Number which shall be constituted and marked as follows:-



**N.B.**

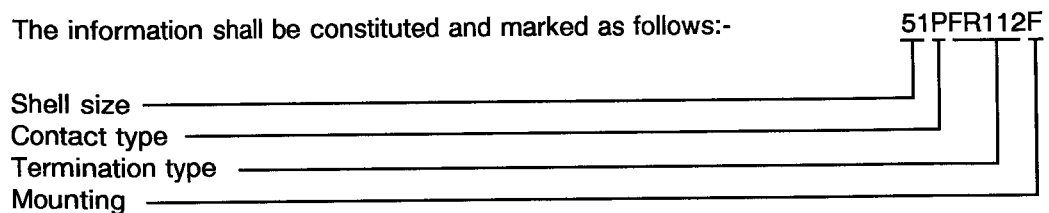
Marking of the Type Variant is mandatory. No further reference to type variant is made in this specification.

4.5.3 Characteristics

The characteristics to be marked in the following order of precedence are:-

- (a) Shell Size.
- (b) Contact Type.
- (c) Termination Type.
- (d) Mounting.

The information shall be constituted and marked as follows:-



4.5.3.1 Shell Size

Shell size shall be designated by the number of contacts.

Specified numbers are: 9, 15, 21, 25, 31, 37 and 51.

4.5.3.2 Contact Type

Contact types shall be indicated by the following code letters.

Code Letter	Contact Type
P	Male
S	Female

#### 4.5.3.3 Termination Type

Codes defining the termination type and details according to Figures 2.1, 2.2, 2.4 and 2.5 as follows:-

CODE	TYPE	MIN. LENGTH (mm)
FR112	AWG26 Wire 390101302B	508
FR112A	AWG26 Wire 390100256B	508
FR113	AWG26 Wire 390101302B	914
FR113A	AWG26 Wire 390100256B	914
FR123	AWG26 Wire 390101302B	4000
FR123A	AWG26 Wire 390100256B	4000
FR114	AWG28 Wire 390101302B	508
FR114A	AWG28 Wire 390100256B	508
FR115	AWG28 Wire 390101302B	914
FR115A	AWG28 Wire 390100256B	914
FR116	Uninsulated Wire	25.4
FR136 FR136A	90° Mounting on P.C.B.	-
FR139	Straight Mounting on P.C.B.	-

#### 4.5.3.4 Mounting

The letter "E" indicates a captive nut.

The letter "F" shall indicate a floating mount.

If the shell has fixed mounting holes, these letters shall be omitted.

#### 4.5.4 Traceability Information

Traceability information shall be marked in accordance with the requirements of ESCC Basic Specification No. 21700.

#### 4.6 ELECTRICAL MEASUREMENTS

##### 4.6.1 Electrical Measurements at Room Temperature

The parameters to be measured in respect of electrical characteristics are scheduled in Table 2. Unless otherwise specified, the measurements shall be performed at  $T_{amb} = +22 \pm 3$  °C.

##### 4.6.2 Electrical Measurements at High and Low Temperatures

Not applicable.

##### 4.6.3 Circuits for Electrical Measurements (Figure 4)

Not applicable.

#### 4.7 BURN-IN AND ELECTRICAL MEASUREMENTS (TABLES 4 AND 5)

Not applicable.

**TABLE 2 - ELECTRICAL MEASUREMENTS AT ROOM TEMPERATURE**

No.	Characteristic	Symbol	ESCC 3401 Test Method	Test Condition	Limits		Unit
					Min.	Max.	
1	Insulation Resistance	Ri	Para. 9.1.1.1	Para. 9.1.1.1	5 000	-	MΩ
2	Voltage Proof Leakage Current	I <sub>L</sub>	Para. 9.1.1.2	600 Vrms	-	2.0	mA
3	Mated Shell Conductivity (Voltage Drop) (1)	Vd	Para. 9.1.1.4	Para. 9.1.1.4	Not applicable		mV
4	Contact Resistance (Low Level Current)	Rcl max.	Para. 9.1.1.3	Para. 9.1.1.3	-	6.0	mΩ
5	Contact Resistance (Rated Current)	Rcr max.	Para. 9.1.1.3	Table 1(b)	-	5.0	mΩ

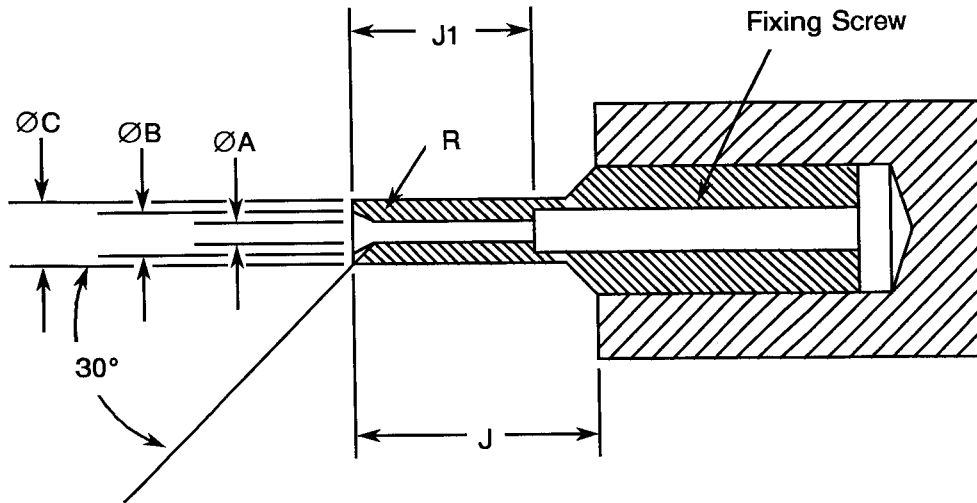
**NOTES**

1. Applicable to mated connectors with grounding option.

**TABLES 3, 4 AND 5**

Not applicable

**FIGURE 4 - GAUGE FIXTURE**



**MAXIMUM GAUGE**


WEIGHT (g) 170			REMARKS
	MIN.	MAX.	
ØA	0.559	0.564	-
ØB	0.749	0.775	-
ØC	0.813	0.825	-
J	4.0	-	-
J1	3.13	3.23	-
R	0.381	0.483	Note 1

**MINIMUM GAUGE**

WEIGHT (g) 14			REMARKS
	MIN.	MAX.	
ØA	0.582	0.587	-
ØB	0.749	0.775	-
ØC	0.813	0.825	-
J	4.0	-	-
J1	3.13	3.23	-
R	0.381	0.483	Note 1

**NOTES**

1. Radius 'R', must be tangent to entry chamfer and ØA.
2. ØA and entry chamfer must be polished to  $\frac{NB}{\sqrt{}}$ .

	ESCC Detail Specification No. 3401/029		PAGE 38 ISSUE 4
--	---	--	--------------------

- 4.8 ENVIRONMENTAL AND ENDURANCE TESTS (CHARTS IV AND V OF ESCC GENERIC SPECIFICATION NO. 3401)
- 4.8.1 Measurements and Inspections on Completion of Environmental Tests  
The parameters to be measured and inspections to be performed on completion of environmental testing shall be those specified in Table 6. Unless otherwise specified, these measurements shall be performed at  $T_{amb} = +22 \pm 3 \text{ }^{\circ}\text{C}$ .
- 4.8.2 Measurements and Inspections at Intermediate Points during Endurance Tests  
Not applicable.
- 4.8.3 Measurement and Inspections on Completion of Endurance Tests  
The parameters to be measured and inspections to be performed on completion of endurance testing shall be those specified in Table 6. Unless otherwise specified, these measurements shall be performed at  $T_{amb} = +22 \pm 3 \text{ }^{\circ}\text{C}$ .
- 4.8.4 Conditions for Operating Life Tests (Part of Endurance Testing)  
Not applicable.
- 4.8.5 Electrical Circuits for Operating Life Tests (Figure 5)  
Not applicable.
- 4.8.6 Conditions for High Temperature Storage Test (Part of Endurance Testing)  
The requirements for the high temperature storage test are specified in Section 9 of ESCC Generic Specification No. 3401. The temperature to be applied shall be the maximum storage temperature specified in Table 1(b) of this specification.





**TABLE 6 - MEASUREMENTS AND INSPECTIONS ON COMPLETION OF ENVIRONMENTAL AND ENDURANCE TESTING (CONTINUED)**

No.	ESCC GENERIC SPEC. NO. 3401		MEASUREMENTS AND INSPECTIONS		SYMBOL	LIMITS		UNIT
	ENVIRONMENTAL AND ENDURANCE TESTS (1)	TEST METHOD AND CONDITIONS	IDENTIFICATION	CONDITIONS		MIN.	MAX.	
12	Mating/Unmating Forces	Para. 9.20	Force	-	F	Para. 4.3.5 of this spec.		-
13	High Temperature Storage	Para. 9.21	<b>Initial Measurements</b> Low Level Contact Resistance Mated Shell Conductivity <b>Final Measurements</b> Visual Examination Mating/Unmating Forces  Low Level Contact Resistance Drift Rated Current Contact Resis. Mated Shell Conductivity Insulation Resistance Voltage Proof Leakage Current Contact Retention (In insert)	Table 2 Item 4  - -  Table 2 Item 4  Table 2 Item 5 Table 2 Item 3 Table 2 Item 1 Table 2 Item 2 Para. 4.3.4 of this spec.	Rcl Vd  - F  ΔRcl  Rcr Vd Ri I <sub>L</sub>	Record Values Not applicable  -   - Para. 4.3.5 of this spec. -   3.0 Table 2, Item 5 Not applicable Table 2, Item 1 Table 2, Item 2 ESCC 3401 Para. 9.17	mΩ	
14	Corrosion	Para. 9.22	Visual Examination	-	-	-	-	-
15	Insert Retention (In Shell)	Para. 9.23 & Para. 4.3.6 of this spec.	Visual Examination	-	-	Para. 4.3.6 of this spec.		-
16	Jackscrew Retention	Para. 9.24 and Para. 4.2.7 of this spec.	Visual Examination	-	-	Not applicable		-
17	High Temperature Measurements	Para. 9.25	Insulation Resistance	Table 2 Item 1 (2)	Ri	10	-	MΩ
18	Overload Test	Para. 9.26	Internal Temperature Rated Current Contact Resis. Mated Shell Conductivity Insulation Resistance Voltage Proof Leakage Current	- Table 2 Item 5 Table 2 Item 3 Table 2 Item 1 Table 2 Item 2	T Rcr Vd Ri I <sub>L</sub>	-	+100	°C
19	Maintenance Ageing	Para. 9.27 & Para. 4.2.4 of this spec.	Visual Examination Contact Retention (In insert)	Para. 4.3.4 of this spec.	-	Not applicable		-
20	Engage/Separation Forces	Para. 9.28 & Para. 4.3.9 of this spec.	Force	-	F	Para. 4.3.9 of this spec.		-
21	Oversize Pin Exclusion	Para. 9.29 and Para. 4.3.10 of this spec.	-	-	-	Not applicable		-
22	Probe Damage	Para. 9.30 and Para. 4.3.11 of this spec.	Contact Separation Force	-	F	Not applicable		-
23	Solderability	Para. 9.31 & Para. 4.3.12 of this spec.	-	-	-	Not applicable		-

**NOTES**

- The tests in this table refer to either Chart IV or V and shall be used as applicable.
- T<sub>amb</sub> = +125°C.