



**TRANSISTORS, MATCHED DUAL, NPN
BASED ON TYPE 2N2919, 2N2920 AND 2N2920A**

ESCC Detail Specification No. 5207/002

| | |
|----------|---------------|
| Issue 11 | November 2024 |
|----------|---------------|



LEGAL DISCLAIMER AND COPYRIGHT

European Space Agency, Copyright © 2024. All rights reserved.

The European Space Agency disclaims any liability or responsibility, to any person or entity, with respect to any loss or damage caused, or alleged to be caused, directly or indirectly by the use and application of this ESCC publication.

This publication, without the prior permission of the European Space Agency and provided that it is not used for a commercial purpose, may be:

- copied in whole, in any medium, without alteration or modification.
- copied in part, in any medium, provided that the ESCC document identification, comprising the ESCC symbol, document number and document issue, is removed.

DOCUMENTATION CHANGE NOTICE

(Refer to <https://escies.org> for ESCC DCR content)

| DCR No. | CHANGE DESCRIPTION |
|---------|---|
| 1684 | Specification updated to incorporate changes per DCR. |

TABLE OF CONTENTS

| | | |
|---------|---|----|
| 1 | GENERAL | 5 |
| 1.1 | SCOPE | 5 |
| 1.2 | APPLICABLE DOCUMENTS | 5 |
| 1.3 | TERMS, DEFINITIONS, ABBREVIATIONS, SYMBOLS AND UNITS | 5 |
| 1.4 | THE ESCC COMPONENT NUMBER AND COMPONENT TYPE VARIANTS | 5 |
| 1.4.1 | The ESCC Component Number | 5 |
| 1.4.2 | Component Type Variants | 5 |
| 1.5 | MAXIMUM RATINGS | 6 |
| 1.6 | PHYSICAL DIMENSIONS AND TERMINAL IDENTIFICATION | 7 |
| 1.6.1 | Chip Carrier Package (CCP) - 6 terminal (Variants 10, 11, 12, 13, 14, 15) | 7 |
| 1.6.2 | Flat Package (FP) - 8 Pin (Variants 16, 17) | 8 |
| 1.6.3 | Die (Variant 18) | 9 |
| 1.7 | FUNCTIONAL DIAGRAM | 10 |
| 1.8 | MATERIALS AND FINISHES | 10 |
| 1.8.1 | Materials and Finishes of Packaged Components | 10 |
| 1.8.2 | Materials and Finishes of Die Components | 10 |
| 2 | REQUIREMENTS | 10 |
| 2.1 | GENERAL | 10 |
| 2.1.1 | Deviations from the Generic Specification | 11 |
| 2.1.1.1 | Deviation from Production Control – Chart F2 | 11 |
| 2.1.1.2 | Deviation from Screening Tests – Chart F3 | 11 |
| 2.2 | MARKING | 11 |
| 2.3 | TERMINAL STRENGTH | 11 |
| 2.4 | ELECTRICAL MEASUREMENTS AT ROOM, HIGH AND LOW TEMPERATURES | 11 |
| 2.4.1 | Room Temperature Electrical Measurements | 11 |
| 2.4.2 | High and Low Temperatures Electrical Measurements | 13 |
| 2.5 | PARAMETER DRIFT VALUES | 14 |
| 2.6 | INTERMEDIATE AND END-POINT ELECTRICAL MEASUREMENTS | 15 |
| 2.7 | POWER BURN-IN CONDITIONS | 15 |
| 2.8 | OPERATING LIFE CONDITIONS | 15 |
| | APPENDIX A | 16 |

1 GENERAL

1.1 SCOPE

This specification details the ratings, physical and electrical characteristics and test and inspection data for the component type variants and/or the range of components specified below. It supplements the requirements of, and shall be read in conjunction with, the ESCC Generic Specification listed under Applicable Documents.

1.2 APPLICABLE DOCUMENTS

The following documents form part of this specification and shall be read in conjunction with it:

- (a) ESCC Generic Specification No. 5000
- (b) MIL-STD-750, Test Methods and Procedures for Semiconductor Devices

1.3 TERMS, DEFINITIONS, ABBREVIATIONS, SYMBOLS AND UNITS

For the purpose of this specification, the terms, definitions, abbreviations, symbols and units specified in ESCC Basic Specification No. 21300 shall apply.

1.4 THE ESCC COMPONENT NUMBER AND COMPONENT TYPE VARIANTS

1.4.1 The ESCC Component Number

The ESCC Component Number shall be constituted as follows:

Example: 520700210

- Detail Specification Reference: 5207002
- Component Type Variant Number: 10 (as required)

1.4.2 Component Type Variants

The component type variants applicable to this specification are as follows:

| Variant Number | Based on Type | Case | Lead/Terminal Material and/or Finish (Note 1) | Weight max g |
|----------------|---------------|--------------|---|--------------|
| 10 | 2N2919 | CCP | 2 | 0.2 |
| 11 | 2N2920 | CCP | 2 | 0.2 |
| 12 | 2N2920A | CCP | 2 | 0.2 |
| 13 | 2N2919 | CCP | 4 | 0.2 |
| 14 | 2N2920 | CCP | 4 | 0.2 |
| 15 | 2N2920A | CCP | 4 | 0.2 |
| 16 | 2N2920A | FP | G2 | 0.7 |
| 17 | 2N2920A | FP | G4 | 0.7 |
| 18 | 2N2920A | Die (Note 2) | N/A | N/A |

NOTES:

1. The lead/terminal material and/or finish shall be in accordance with the requirements of ESCC Basic Specification No. 23500.
2. Variant 18 is a single transistor die; this Variant shall be ordered, tested and delivered in matched pairs. See Para. 1.6.3.

1.5 **MAXIMUM RATINGS**

The maximum ratings shall not be exceeded at any time during use or storage.

Maximum ratings shall only be exceeded during testing to the extent specified in this specification and when stipulated in Test Methods and Procedures of the ESCC Generic Specification.

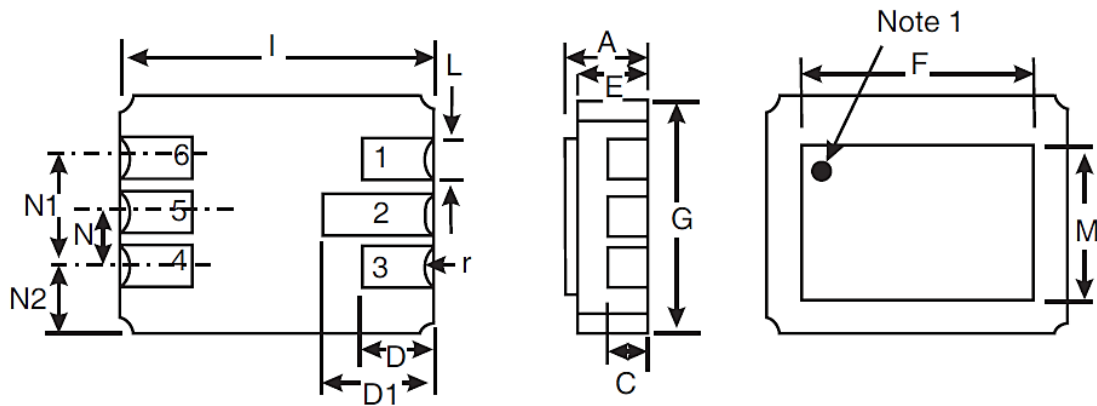
| Characteristics | Symbols | Maximum Ratings | Unit | Remarks |
|--|---------------|------------------|---------------|---|
| Collector-Base Voltage | V_{CBO} | 60 | V | Over entire operating temperature range |
| Collector-Emitter Voltage | V_{CEO} | 60 | V | |
| Emitter-Base Voltage | V_{EBO} | 6 | V | |
| Collector Current | I_C | 30 | mA | Continuous |
| Power Dissipation (One Section) | P_{totO} | 0.3 | W | At $T_{amb} \leq +25^{\circ}C$ |
| Power Dissipation (Both Sections) | P_{totB} | 0.5 | W | At $T_{amb} \leq +25^{\circ}C$ |
| Thermal Resistance, Junction-to-Ambient For one section: For both sections: | $R_{th(j-a)}$ | 583.3 350 | $^{\circ}C/W$ | |
| Operating Temperature Range | T_{op} | -55 to +200 | $^{\circ}C$ | Note 1 |
| Storage Temperature Range | T_{stg} | -65 to +200 | $^{\circ}C$ | Note 1 |
| Soldering Temperature For CCP (Variants 10 to 15): For FP (Variants 16, 17): | T_{sol} | +245 +265 | $^{\circ}C$ | Note 2 Note 3 |

NOTES:

- For Variants 13, 14, 15, 17 with hot solder dip lead finish, all testing, and any handling, performed at $T_{amb} > +125^{\circ}C$ shall be carried out in a 100% inert atmosphere.
- Duration 5 seconds maximum and the same terminal shall not be resoldered until 3 minutes have elapsed.
- Duration 10 seconds maximum at a distance of not less than 1.5mm from the device body and the same lead shall not be resoldered until 3 minutes have elapsed.

1.6 PHYSICAL DIMENSIONS AND TERMINAL IDENTIFICATION

1.6.1 Chip Carrier Package (CCP) - 6 terminal (Variants 10, 11, 12, 13, 14, 15)

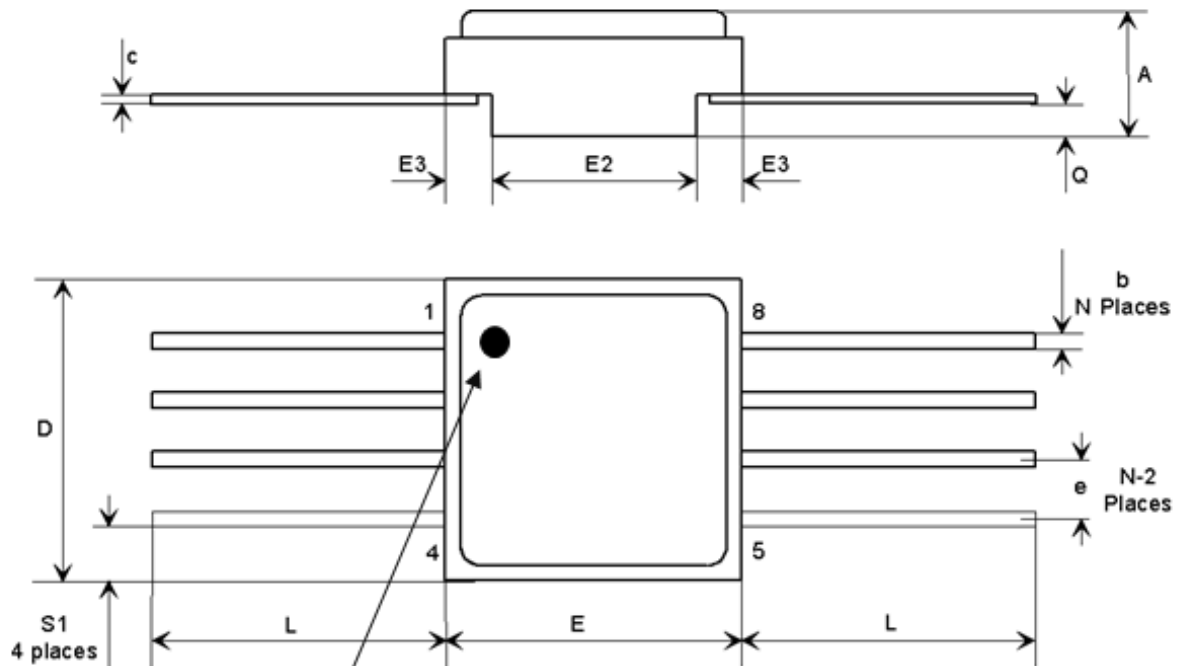


| Symbols | Dimensions mm | | Notes |
|---------|---------------|------|-------|
| | Min | Max | |
| A | 1.53 | 1.96 | |
| C | 0.89 TYPICAL | | 2 |
| D | 1.52 | 1.78 | |
| D1 | 2.08 | 2.49 | |
| E | 1.24 | 1.55 | |
| F | 5.76 | 5.92 | |
| G | 4.19 | 4.45 | |
| I | 6.1 | 6.35 | |
| L | 0.55 | 0.71 | 2 |
| M | 3.86 | 4.01 | |
| N | 1.14 | 1.4 | |
| N1 | 2.41 | 2.67 | |
| N2 | 0.89 TYPICAL | | |
| r | 0.23 TYPICAL | | 2 |

NOTES:

- Terminal identification is specified, when viewing the top side of the package, by reference to a black ink dot adjacent to terminal 1 = base 2. Terminal 2 = collector 2, terminal 3 = emitter 2, terminal 4 = emitter 1, terminal 5 = collector 1 and terminal 6 = base 1.
- Applies to all terminals.

1.6.2 Flat Package (FP) - 8 Pin (Variants 16, 17)



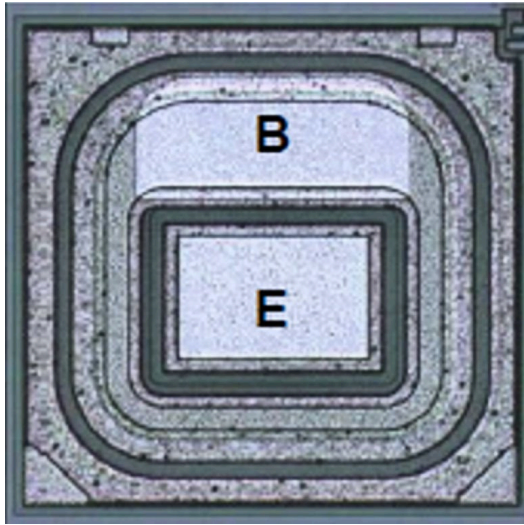
Note 1

| Symbols | Dimensions mm | | Notes |
|---------|---------------|------|-------|
| | Min | Max | |
| A | 2.24 | 2.64 | |
| b | 0.38 | 0.48 | 2 |
| c | 0.10 | 0.16 | 2 |
| D | 6.35 | 6.61 | |
| E | 6.35 | 6.61 | |
| E2 | 4.32 | 4.58 | |
| E3 | 0.88 | 1.14 | |
| e | 1.27 TYPICAL | | 4 |
| L | 3 TYPICAL | | 2 |
| Q | 0.66 | 0.92 | |
| S1 | 0.92 | 1.32 | 3 |

NOTES:

- Terminal identification is specified, when viewing the top side of the package, by reference to a black ink dot adjacent to terminal 1 = collector 1, terminal 2 = base 1, terminal 3 = emitter 1, terminal 6 = emitter 2 terminal 7 = base 2, terminal 8 = collector 2, terminals 4 and 5 are connected to seal ring and lid.
- Applies to all pins.
- 4 places.
- 6 places.

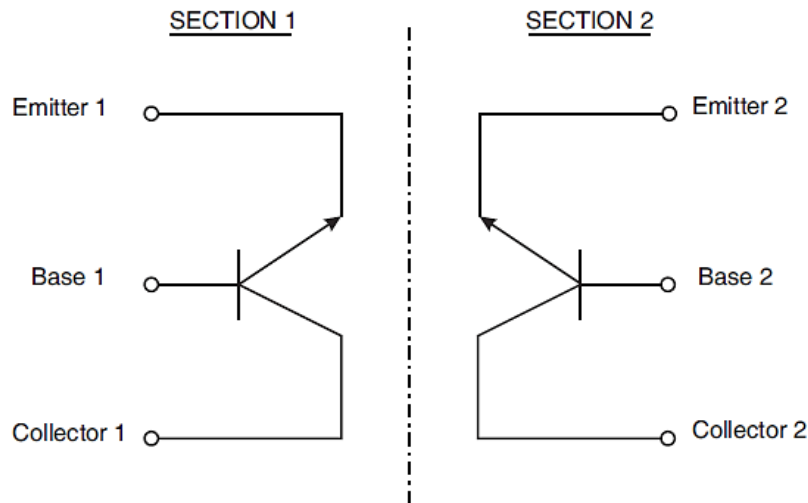
1.6.3 Die (Variant 18)
Single Transistor Die Shown



NOTES:

1. Variant 18 shall be ordered, tested and delivered in matched pairs. For delivery, each matched pair shall be identifiable by their location within the primary package.
2. Die materials and dimensions:
 - Die substrate: Silicon
 - Die length: 457 μm
 - Die width: 457 μm
 - Die thickness: 230 $\pm 20\mu\text{m}$
 - Top Glassivation:
 - P-Vapox with thickness 720 $\pm 80\text{nm}$ and
 - Nitride with thickness 540 $\pm 60\text{nm}$
 - Top metallisation: Al/Si (1%) with thickness: 2 $\pm 0.2\mu\text{m}$ (Typ.)
 - Backside metallisation: Au/As with thickness: 1.485 $\pm 0.165\mu\text{m}$
 - Emitter pad dimensions: 100 \times 160 μm
 - Base pad dimensions: 70 \times 220 μm
3. Terminal identification: B = Base, E = Emitter
4. Bias details: backside contact = Collector

1.7 FUNCTIONAL DIAGRAM



NOTES:

1. For CCP (Variants 10, 11, 12, 13, 14, 15), the lid is not connected to any terminal.
2. For FP (Variants 16, 17), the seal ring and the lid are connected to terminals 4 and 5.
3. For Die (Variant 18), each Section as shown is a single die of each matched pair.

1.8 MATERIALS AND FINISHES

1.8.1 Materials and Finishes of Packaged Components

For Variants 10 to 17, the materials and finishes shall be as follows:

- (a) Case
For the chip carrier package (Variants 10 to 15) and the flat package (Variants 16, 17), the case shall be hermetically sealed and have a ceramic body with a Kovar lid.
- (b) Leads/Terminals
As specified in Para. 1.4.2, Component Type Variants.

1.8.2 Materials and Finishes of Die Components

For Variant 18, the materials and finishes shall be as specified in Para. 1.6.3.

2 REQUIREMENTS

2.1 GENERAL

The complete requirements for procurement of the components specified herein are as stated in this specification and the ESCC Generic Specification. Permitted deviations from the Generic Specification, applicable to this specification only, are listed below.

Permitted deviations from the Generic Specification and this Detail Specification, formally agreed with specific Manufacturers on the basis that the alternative requirements are equivalent to the ESCC requirement and do not affect the component's reliability, are listed in the appendices attached to this specification.

2.1.1 Deviations from the Generic Specification

2.1.1.1 *Deviation from Production Control – Chart F2*

(a) For Special In-Process Controls: assembly of the packaged test subplot: For Variant 18, each packaged test subplot sample shall contain two dice in a matched pair.

For procurement, the quantity of matched pairs of dice to be assembled, n, shall be selected at the Manufacturer’s discretion from one of the four specified sampling plans (a), (b), (c) or (d).

For Qualification and Maintenance of Qualification: the quantity of matched pairs of dice to be assembled, n, shall be selected at the Manufacturer’s discretion from one of the specified sampling plans (c) or (d).

2.1.1.2 *Deviation from Screening Tests – Chart F3*

(a) High Temperature Reverse Bias Burn-in and the subsequent Final Measurements for HTRB shall be omitted.

2.2 MARKING

The marking shall be in accordance with the requirements of ESCC Basic Specification No. 21700 and as follows.

The information to be marked on the component or its primary package shall be:

- (a) Terminal identification (see Para. 1.6).
- (b) The ESCC qualified components symbol (for ESCC qualified components only).
- (c) The ESCC Component Number (see Para. 1.4.1).
- (d) Traceability information.

2.3 TERMINAL STRENGTH

The test conditions for terminal strength, tested as specified in the ESCC Generic Specification, shall be as follows:

- For FP (Variants 16, 17), Test Condition: E, lead fatigue. The applied weight shall be 3 ounces (85g), with three bends of 15°.

2.4 ELECTRICAL MEASUREMENTS AT ROOM, HIGH AND LOW TEMPERATURES

Electrical measurements shall be performed at room, high and low temperatures.

2.4.1 Room Temperature Electrical Measurements

The measurements shall be performed at $T_{amb} = +22 \pm 3^{\circ}C$.

| Characteristics | Symbols | MIL-STD-750 Test Method | Test Conditions | Limits | | Units |
|-------------------------------------|---------------|----------------------------|---|--------|-----|-------|
| | | | | Min | Max | |
| Collector-Base Breakdown Voltage | $V_{(BR)CBO}$ | 3001 | $I_C = 10\mu A$, Bias condition D | 60 | - | V |
| Collector-Emitter Breakdown Voltage | $V_{(BR)CEO}$ | 3011 | $I_C = 10mA$, Bias condition D, Note 1 | 60 | - | V |
| Emitter-Base Breakdown Voltage | $V_{(BR)EBO}$ | 3026 | $I_E = 10\mu A$, Bias condition D | 6 | - | V |
| Collector-Emitter Cut-off Current | I_{CEO} | 3041 | $V_{CE} = 5V$, Bias condition D | - | 2 | nA |

| Characteristics | Symbols | MIL-STD-750 Test Method | Test Conditions | Limits | | Units |
|---|------------------------|----------------------------|--|------------|------------|---------|
| | | | | Min | Max | |
| Collector-Base Cut-off Current | I_{CBO} | 3036 | $V_{CB} = 45V$, Bias condition D | - | 2 | nA |
| Emitter-Base Cut-off Current | I_{EBO} | 3061 | $V_{EB} = 5V$, Bias condition D | - | 2 | nA |
| Collector-Emitter Saturation Voltage | $V_{CE(sat)}$ | 3071 | $I_C = 1mA$, $I_B = 0.1mA$ Note 1 | - | 350 | mV |
| Base-Emitter Saturation Voltage | $V_{BE(sat)}$ | 3066 | $I_C = 1mA$, $I_B = 0.1mA$ Test Condition A Note 1 | 0.5 | 1 | V |
| Forward-Current Transfer Ratio | h_{FE1} | 3076 | $V_{CE} = 5V$, $I_C = 10\mu A$ Variants 10, 13: Variants 11, 12, 14, 15, 16, 17, 18: | 60 150 | 240 600 | - |
| | h_{FE2} | 3076 | $V_{CE} = 5V$, $I_C = 100\mu A$ Variants 10, 13: Variants 11, 12, 14, 15, 16, 17, 18: | 100 225 | - - | - |
| | h_{FE3} | 3076 | $V_{CE} = 5V$, $I_C = 1mA$ Variants 10, 13: Variants 11, 12, 14, 15, 16, 17, 18: | 150 300 | - - | - |
| Forward-Current Transfer Ratio Comparison | h_{FE2-1}/h_{FE2-2} | 3076 | $V_{CE} = 5V$, $I_C = 100\mu A$ | 0.9 | 1 | - |
| Base-Emitter Voltage Differential | $ V_{BE1} - V_{BE2} 1$ | 3066 | $V_{CE} = 5V$; $I_C = 10\mu A$ Test Condition B Variants 10, 11, 13, 14: Variants 12, 15, 16, 17, 18: Note 2 | - - | 5 2 | mV |
| | $ V_{BE1} - V_{BE2} 2$ | 3066 | $V_{CE} = 5V$; $I_C = 100\mu A$ Test Condition B Variants 10, 11, 13, 14: Variants 12, 15, 16, 17, 18: Note 2 | - - | 3 1.5 | mV |
| | $ V_{BE1} - V_{BE2} 3$ | 3066 | $V_{CE} = 5V$; $I_C = 1mA$ Test Condition B Variants 10, 11, 13, 14: Variants 12, 15, 16, 17, 18: Note 2 | - - | 5 2 | mV |
| Leakage Current Between Sections | $I_{LS(e-e)}$ | - | 50V to Emitter 2, 0V to Emitter 1 | - | 5 | μA |
| | $I_{LS(b-b)}$ | - | 50V to Base 2 0V to Base 1 | - | 5 | μA |
| | $I_{LS(c-c)}$ | - | 50V to Collector 2 0V to Collector 1 | - | 5 | μA |

| Characteristics | Symbols | MIL-STD-750 Test Method | Test Conditions | Limits | | Units |
|--------------------------------|-----------|----------------------------|--|--------|-----|-----------|
| | | | | Min | Max | |
| Current Gain Bandwidth Product | f_T | 3206 | $V_{CE} = 5V, I_C = 500\mu A$ $f = 20MHz$ Notes 3, 4 | 60 | - | MHz |
| Small-Signal Output Admittance | h_{oe} | 3216 | $V_{CE} = 5V, I_C = 1mA, f = 1kHz$ Notes 3, 4 | - | 1 | μmho |
| Spot Noise Figure | NF_s | 3246 | $V_{CE} = 5V, I_C = 10\mu A$ $R_s = 10k\Omega, f = 1kHz$ $BW = 200Hz$ Notes 3, 4 | - | 3 | dB |
| Wide-Band Noise Figure | NF_w | 3246 | $V_{CE} = 5V, I_C = 10\mu A,$ $R_s = 10k\Omega$ $10Hz \leq f \leq 15.7kHz$ $BW = 10kHz$ Notes 3, 4 | - | 3 | dB |
| Output Capacitance | C_{obo} | 3236 | $V_{CB} = 5V, I_E = 0A$ $100kHz \leq f \leq 1MHz$ Notes 3, 4 | - | 6 | pF |
| Small-Signal Input Impedance | h_{ib} | 3201 | $V_{CB} = 5V, I_C = 1mA, f = 1kHz$ Notes 3, 4 | 25 | 32 | Ω |

NOTES:

1. Pulsed measurement: Pulse Width $\leq 300\mu s$, Duty Cycle $\leq 2\%$.
2. Any device whose measurement values exceed the specified limits shall be removed from the lot, but only count for PDA when such values exceed twice the specified limits (e.g. for Base-Emitter Voltage Differential 1: 10mV max or 4mV max).
3. For Variants 10 to 17, all AC characteristics read and record measurements shall be performed on a sample of 32 components with 0 failures allowed. Alternatively, a 100% inspection may be performed.
4. For Variant 18, all AC characteristics read and record measurements shall be performed on either a sample of 32 matched pairs (64 dice) or 100% of the Packaged Test Sublot, whichever is less, with 0 failures allowed.

2.4.2 High and Low Temperatures Electrical Measurements

| Characteristics | Symbols | MIL-STD-750 Test Method | Test Conditions Note 1 | Limits | | Units |
|---|-----------------------|----------------------------|--|----------|--------|---------|
| | | | | Min | Max | |
| Collector-Base Cut-off Current | I_{CBO} | 3036 | $T_{amb} = +150 (+0 -5)^{\circ}C$ $V_{CB} = 45V, \text{Bias Condition D}$ | - | 10 | μA |
| Forward-Current Transfer Ratio | h_{FE1} | 3076 | $T_{amb} = -55 (+5 -0)^{\circ}C$ $V_{CE} = 5V, I_C = 10\mu A$ Variants 10, 13: Variants 11, 12, 14, 15, 16, 17, 18: | 20 50 | - - | - |
| Forward-Current Transfer Ratio Comparison | h_{FE2-1}/h_{FE2-2} | 3076 | $T_{amb} = -55 \text{ to } +125^{\circ}C$ $V_{CE} = 5V, I_C = 100\mu A$ | 0.85 | 1.18 | - |

| Characteristics | Symbols | MIL-STD-750 Test Method | Test Conditions Note 1 | Limits | | Units |
|---|--|----------------------------|--|--------|------------|-------|
| | | | | Min | Max | |
| Base-Emitter Voltage Differential Change | $ \Delta(V_{BE1}-V_{BE2})\Delta T_{amb} 1$ | 3066 | $T_{amb} = -55 (+5 -0)^{\circ}C$ to $+25 \pm 3^{\circ}C$ $V_{CE} = 5V, I_C = 100\mu A$ Test condition B Variants 10, 11, 13, 14: Variants 12, 15, 16, 17, 18: | - | 0.8 0.4 | mV |
| | $ \Delta(V_{BE1}-V_{BE2})\Delta T_{amb} 2$ | 3066 | $T_{amb} = +25 \pm 3^{\circ}C$ to $+125 (+0 -5)^{\circ}C$ $V_{CE} = 5V, I_C = 100\mu A$ Test condition B Variants 10, 11, 13, 14: Variants 12, 15, 16, 17, 18: | - | 1 0.5 | mV |

NOTES:

1. Measurements shall be performed on a sample basis as specified in the Generic Specification.

2.5 **PARAMETER DRIFT VALUES**

Unless otherwise specified, the measurements shall be performed at $T_{amb} = +22 \pm 3^{\circ}C$.

The test methods and test conditions shall be as per the corresponding test defined in Para. 2.4.1, Room Temperature Electrical Measurements.

The drift values (Δ) shall not be exceeded for each characteristic specified. The corresponding absolute limit values for each characteristic shall not be exceeded.

| Characteristics | Symbols | Limits | | | Units |
|--|---------------|----------------------------------|------------|--------|-------|
| | | Drift Value Δ | Absolute | | |
| | | | Min | Max | |
| Collector-Base Cut-off Current | I_{CBO} | ± 1 or (1) $\pm 100\%$ | - | 2 | nA |
| Collector-Emitter Saturation Voltage | $V_{CE(sat)}$ | ± 15 or (1) $\pm 10\%$ | - | 350 | mV |
| Forward-Current Transfer Ratio 2 Variants 10, 13: Variants 11, 12, 14, 15, 16, 17, 18: | h_{FE2} | $\pm 15\%$ | 100 225 | - - | |

NOTES:

1. Whichever is greater, referred to the initial value.

2.6 INTERMEDIATE AND END-POINT ELECTRICAL MEASUREMENTS

Unless otherwise specified, the measurements shall be performed at $T_{amb} = +22 \pm 3^{\circ}\text{C}$.

The test methods and test conditions shall be as per the corresponding test defined in either Para. 2.4.1, Room Temperature Electrical Measurements or Para. 2.4.2, High and Low Temperatures Electrical Measurements, as applicable.

The limit values for each characteristic shall not be exceeded.

| Characteristics | Symbols | Limits | | Units |
|---|--|------------|--------------|-------|
| | | Min | Max | |
| Collector-Base Cut-off Current | I_{CBO} | - | 2 | nA |
| Collector-Emitter Saturation Voltage | $V_{CE(sat)}$ | - | 350 | mV |
| Forward-Current Transfer Ratio 2 Variants 10, 13: Variants 11, 12, 14, 15, 16, 17, 18: | h_{FE2} | 100 225 | - - | - |
| Forward-Current Transfer Ratio Comparison | h_{FE2-1}/h_{FE2-2} | 0.85 | 1.18 | - |
| Base-Emitter Voltage Differential 2 Variants 10, 11, 13, 14: Variants 12, 15, 16, 17, 18: | $ V_{BE1}-V_{BE2} 2$ | - - | 3 1.5 | mV |
| Base-Emitter Voltage Differential Change 1 (Note 1) Variants 10, 11, 13, 14: Variants 12, 15, 16, 17, 18: | $ \Delta(V_{BE1}-V_{BE2})\Delta T_{amb} 1$ | - - | 0.96 0.48 | mV |
| Base-Emitter Voltage Differential Change 2 (Note 1) Variants 10, 11, 13, 14: Variants 12, 15, 16, 17, 18: | $ \Delta(V_{BE1}-V_{BE2})\Delta T_{amb} 2$ | - - | 1.2 0.6 | mV |

NOTES:

1. To be measured after Operating Life test only.

2.7 POWER BURN-IN CONDITIONS

| Characteristics | Symbols | Test Conditions | Units |
|-----------------------------------|------------|---|--------------------|
| Ambient Temperature | T_{amb} | +25 to +50 | $^{\circ}\text{C}$ |
| Power Dissipation (Both Sections) | P_{totB} | As per Para. 1.5, Maximum Ratings. Derate P_{totB1} at the chosen T_{amb} using the specified $R_{th(j-a)}$. | W |
| Collector-Base Voltage | V_{CB} | 40 | V |

2.8 OPERATING LIFE CONDITIONS

The conditions shall be as specified in Para. 2.7, Power Burn-in Conditions.

APPENDIX A
AGREED DEVIATIONS FOR STMICROELECTRONICS (F)

| ITEMS AFFECTED | DESCRIPTION OF DEVIATIONS |
|---|---|
| Para. 2.1.1, Deviations from the Generic Specification: Para. 8, Test Methods and Procedures | For qualification and qualification maintenance, or procurement of qualified or unqualified components, the following replacement test method specifications shall be used instead of the following ESCC Basic Specifications: No. 20400, Internal Visual Inspection: replaced by MIL-STD-750 Test Method 2072 . No. 20500, External Visual Inspection: replaced by MIL-STD-750 Test Method 2071 . No. 20900, Radiographic Inspection of Electronic Components: replaced by MIL-STD-750 Test Method 2076 . |
| Para. 2.1.1.1, Deviations from the Generic Specification: Deviations from Production Control - Chart F2 | Special In-Process Controls - Internal Visual Inspection. For CCP packages (Variants 10 to 15), the criteria specified for voids in the fillet and minimum die mounting material around the visible die perimeter for die mounting defects may be omitted providing that a radiographic inspection to verify the die-attach process is performed on a sample basis in accordance with STMicroelectronics procedure 0076637. |
| Para. 2.1.1.2, Deviations from the Generic Specification: Deviations from Screening Tests - Chart F3 | Solderability is not applicable unless specifically stipulated in the Purchase Order. |
| Para. 2.4.1, Room Temperature Electrical Measurements | All AC characteristics (Para. 2.4.1, Notes 3 and 4) may be considered guaranteed but not tested if successful pilot lot testing has been performed on the wafer lot which includes AC characteristic measurements per the Detail Specification. A summary of the pilot lot testing shall be provided if required by the Purchase Order. |
| Para. 2.4.2, High and Low Temperatures Electrical Measurements | All characteristics specified may be considered guaranteed but not tested if successful pilot lot testing has been performed on the wafer lot which includes characteristic measurements at high and low temperatures per the Detail Specification. A summary of the pilot lot testing shall be provided if required by the Purchase Order. |