



**POWER DIVIDERS, UNSEALED, 4-PORT
QUADRATURE, 3dB, SMA CONNECTORS,**

0.1 – 18 GHz

BASED ON TYPE R433*11600

ESCC Detail Specification No. 3404/001

Issue 2	May 2013
---------	----------



LEGAL DISCLAIMER AND COPYRIGHT

European Space Agency, Copyright © 2013. All rights reserved.

The European Space Agency disclaims any liability or responsibility, to any person or entity, with respect to any loss or damage caused, or alleged to be caused, directly or indirectly by the use and application of this ESCC publication.

This publication, without prior permission of the European Space Agency and provided it is not used for a commercial purpose, may be:

- copied in whole, in any medium, without alteration or modification.
- copied in part, in any medium, provided that the ESCC document identification, comprising the ESCC symbol, document number and document issue, is removed.

DOCUMENTATION CHANGE NOTICE

(Refer to <https://escies.org> for ESCC DCR content)

DCR No.	CHANGE DESCRIPTION
772	Specification upissued to incorporate editorial changes per DCR.

TABLE OF CONTENTS

1	GENERAL	6
1.1	SCOPE	6
1.2	COMPONENT TYPE VARIANTS AND RANGE OF COMPONENTS	6
1.3	MAXIMUM RATINGS	6
1.4	PARAMETER DERATING INFORMATION	6
1.5	PHYSICAL DIMENSIONS	6
1.6	FUNCTIONAL DIAGRAM	6
1.7	STORAGE PRECAUTIONS	6
2	APPLICABLE DOCUMENTS	6
3	TERMS, DEFINITIONS, ABBREVIATIONS, SYMBOLS AND UNITS	6
4	REQUIREMENTS	11
4.1	GENERAL	11
4.2	DEVIATIONS FROM GENERIC SPECIFICATION	11
4.2.1	Deviations from Special In-process Controls	11
4.2.2	Deviations from Final Production Tests (Chart II)	11
4.2.3	Deviations from Burn-in and Electrical Measurements (Chart III)	11
4.2.4	Deviations from Qualification Tests (Chart IV)	11
4.2.5	Deviations from Lot Acceptance Tests (Chart V)	11
4.3	MECHANICAL REQUIREMENTS	11
4.3.1	Dimension Check	11
4.3.2	Weight	11
4.3.3	Female Contact Retention	11
4.4	MATERIALS AND FINISHES	12
4.4.1	Connector Receptacle	12
4.4.1.1	Variant 01	12
4.4.1.2	Variant 02	12
4.4.1.3	Variant 03	12
4.4.2	Body	12
4.4.2.1	Package	12
4.4.2.2	Lids	12
4.5	MARKING	12
4.5.1	General	12
4.5.2	The ESCC Component Number	12
4.5.3	Characteristics	13
4.5.3.1	Coupling Values	13
4.5.3.2	Frequency Range	13

4.5.4	Traceability Information	13
4.6	ELECTRICAL MEASUREMENTS	13
4.6.1	Electrical Measurements at Room Temperature	13
4.6.2	Electrical Measurements at High and Low Temperatures	13
4.6.3	Circuits for Electrical Measurements	13
4.7	BURN-IN TESTS	14
4.7.1	Parameter Drift Values	14
4.7.2	Conditions for Burn-in	14
4.7.3	Electrical Circuit for Burn-in (Figure 5)	14
4.8	ENVIRONMENTAL AND ENDURANCE TESTS (CHARTS IV AND V OF ESCC GENERIC SPECIFICATION NO. 3404)	17
4.8.1	Measurements and Inspections on Completion of Environmental Tests	17
4.8.2	Measurements and Inspections at Intermediate Points during Endurance Tests	17
4.8.3	Measurements and Inspections on Completion of Endurance Tests	17
4.8.4	Conditions for Operating Life Tests (Part of Endurance Testing)	17
4.8.5	Electrical Circuit for Operating Life Test (Figure 5)	17
4.8.6	Conditions for High Temperature Storage Test (Part of Endurance Testing)	17

1 GENERAL

1.1 SCOPE

This specification details the ratings, physical and electrical characteristics, test and inspection data for Power Dividers, Unsealed, 4-Port Quadrature, 3dB SMA Connectors in the frequency range 0.1-18 GHz, based on Type R433*11600. It shall be read in conjunction with ESCC Generic Specification No. 3404, the requirements of which are supplemented herein.

1.2 COMPONENT TYPE VARIANTS AND RANGE OF COMPONENTS

The component type variants covered by this specification are given in Para. 4.4.1. Table 1(a) lists the range of components covered.

1.3 MAXIMUM RATINGS

The maximum ratings, which shall not be exceeded at any time during use or storage, applicable to the power dividers specified herein, are scheduled in Table 1(b).

1.4 PARAMETER DERATING INFORMATION

The derating information applicable to the power dividers specified herein is shown in Figure 1.

1.5 PHYSICAL DIMENSIONS

The physical dimensions of the power dividers specified herein, are shown in Figure 2.

1.6 FUNCTIONAL DIAGRAM

The functional diagram of the power dividers specified herein, is shown in Figure 3.

1.7 STORAGE PRECAUTIONS

These components being unsealed require protection against humidity as specified in Para. 4.2 of ESCC Basic Specification No. 20600.

2 APPLICABLE DOCUMENTS

The following documents form part of this specification and shall be read in conjunction with it:

- (a) ESCC Generic Specification No. 3404, Power Dividers, Couplers, RF Coaxial.
- (b) ESCC Detail Specification No. 3402/002, RF Coaxial Connectors, Type SMA (Female Contact).

3 TERMS, DEFINITIONS, ABBREVIATIONS, SYMBOLS AND UNITS

For the purpose of this specification, the terms, definitions, abbreviations, symbols and units specified in ESCC Basic Specification No. 21300 shall apply.

TABLE 1(a) - RANGE OF COMPONENTS

Frequency Range (Note 1) (GHz)	Code Letter	Insertion Loss (dB)	VSWR	Minimum Isolation (dB)	Phase Balance (90°)	Amplitude Balance (dB)
1.8 - 2.5 (2)	N	0.25	1.2	21	±1.5	±0.4
3.7 - 4.2	E	0.3	1.25	21	±1.5	±0.4
5.9 - 6.4	J	0.3	1.25	20	±1.5	±0.4
7.25 - 7.75	L	0.3	1.3	18	±3	±0.4
8.2 - 8.45	D	0.3	1.25	20	±3	±0.4
7.9 - 8.4	M	0.4	1.3	18	±3	±0.4
11.7 - 12.1	F	0.4	1.3	18	±3	±0.4
12.5 - 12.7	G	0.4	1.3	18	±3	±0.4
14 - 14.25	H	0.45	1.35	17	±3	±0.4

NOTES

1. Additional frequency ranges may be specified within the 0.1 - 18 GHz range.
2. Temperature range: -120 to +125 °C (different technology).

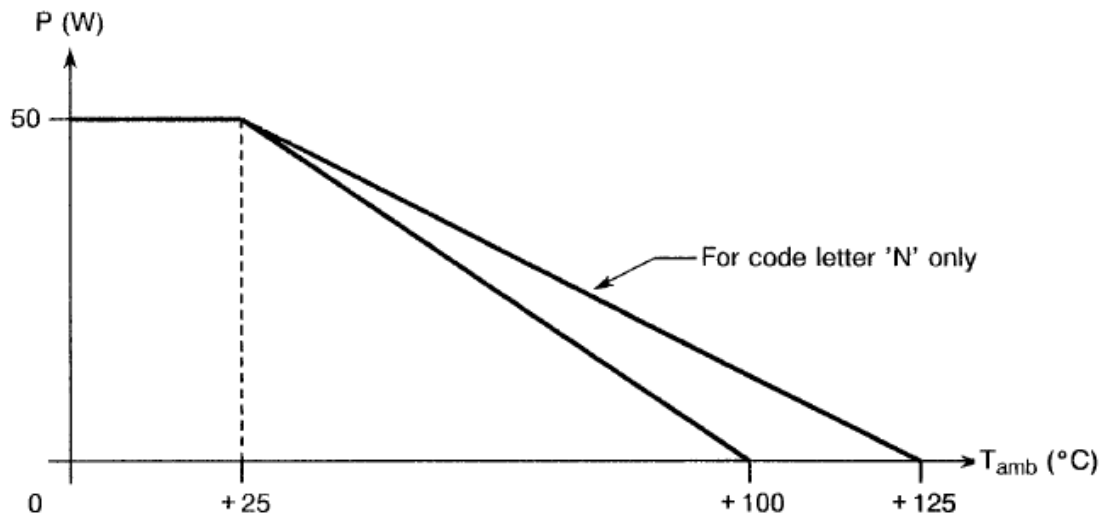
TABLE 1(b) - MAXIMUM RATINGS

No.	Characteristics	Symbol	Maximum Ratings	Unit	Remarks
1	Input Power	P_{IN}	50	W	Note 1
2	Peak Power	P_P	250	W	For 1.0µs 1/1000 cyclic ratio
3	Frequency Range	F	0.1 to 18	GHz	
4	Impedance	Z	50	Ω	
5	RF Leakage	-	80-F GHz	dB	
6	Operating Temperature Range	T_{op}	-40 to +100	°C	Note 2
7	Storage Temperature Range	T_{stg}	-55 to +125	°C	Note 2

NOTES

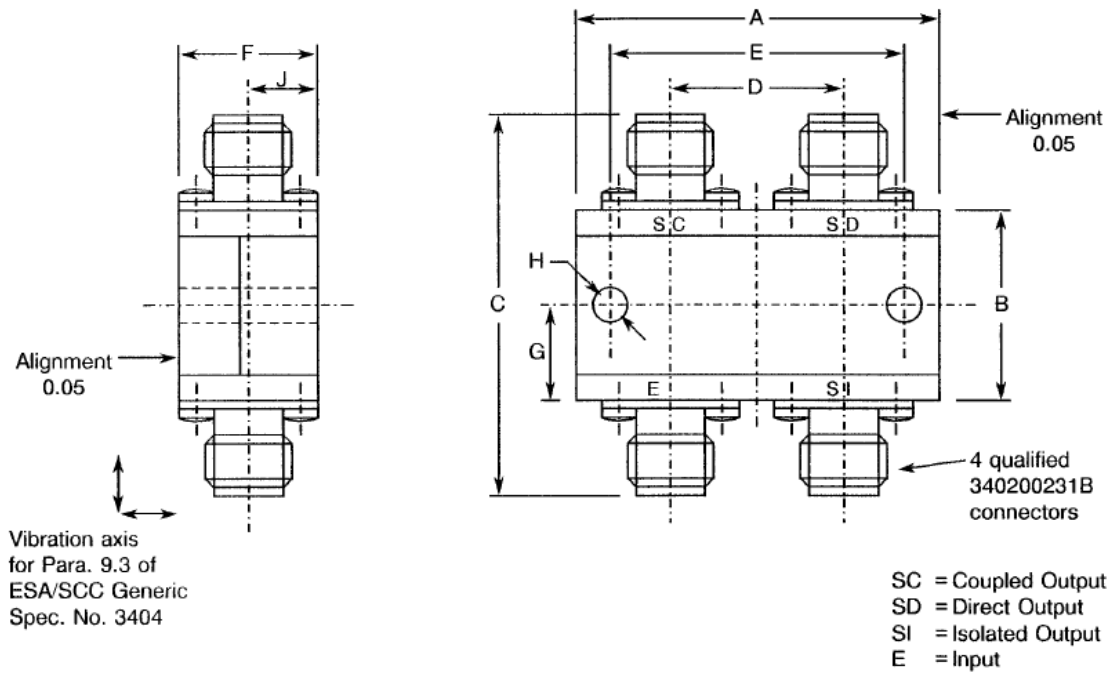
1. At $T_{amb} \leq +25$ °C. For derating at $T_{amb} > +25$ °C, see Figure 1.
2. Frequency Range 'N': -120 to +125 °C.

FIGURE 1 - PARAMETER DERATING INFORMATION



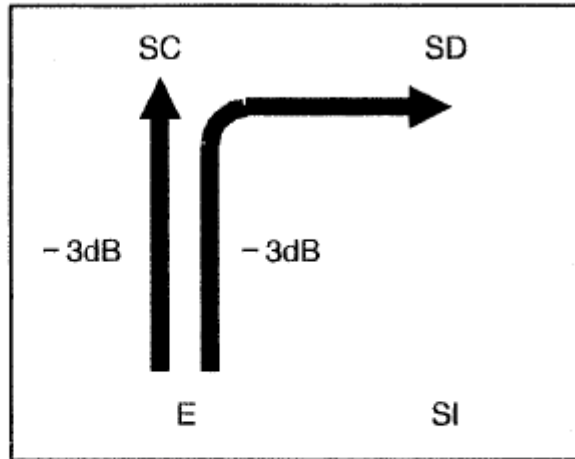
Rated Power versus Temperature

FIGURE 2 - PHYSICAL DIMENSIONS



Symbol	Millimetres		Notes
	Min	Max	
A	-	32.5	
B	17.8	18.2	
C	36.5	37.5	
D	15.8 12.5	16.2 12.9	Code Letter "N" All Other Code Letters
E	24.8	25.2	
F	-	12.9	
G	8.8	9.2	
H	2.6	3	
J	6.15	6.55	

FIGURE 3 - FUNCTIONAL DIAGRAM



- E = Input.
- SC = Coupled Output.
- SD = Direct Output.
- SI = Isolated Output.

4 REQUIREMENTS

4.1 GENERAL

The complete requirements for procurement of the components specified herein are as stated in this specification and ESCC Generic Specification No. 3404 for Power Dividers, Couplers, RF, Coaxial. Deviations from the Generic Specification, applicable to this specification only, are listed in Para. 4.2.

Deviations from the applicable Generic Specification and this Detail Specification, formally agreed with specific Manufacturers on the basis that the alternative requirements are equivalent to the ESCC requirements and do not affect the components' reliability, are listed in the appendices attached to this specification.

4.2 DEVIATIONS FROM GENERIC SPECIFICATION

4.2.1 Deviations from Special In-process Controls

None.

4.2.2 Deviations from Final Production Tests (Chart II)

None.

4.2.3 Deviations from Burn-in and Electrical Measurements (Chart III)

None.

4.2.4 Deviations from Qualification Tests (Chart IV)

- (a) Para's 9.10.3 and 9.10.6, Damp Heat: Not applicable.
- (b) Para. 9.11, Corrosion: Not applicable.

4.2.5 Deviations from Lot Acceptance Tests (Chart V)

- (a) Para's. 9.10.3 and 9.10.6, Damp Heat: Not applicable.

4.3 MECHANICAL REQUIREMENTS

4.3.1 Dimension Check

The dimensions of the power dividers specified herein shall be verified in accordance with the requirements set out in Para. 9.18 of ESCC Generic Specification No. 3404 and shall conform to those shown in Figure 2.

4.3.2 Weight

The maximum weight of the power dividers specified herein shall be 36 grammes.

4.3.3 Female Contact Retention

The requirements for this test are specified in Section 9 of ESCC Generic Specification No. 3404 and apply to female contacts only.

Female contacts shall be capable of lifting a weight of 42 grammes and the pin of such weight shall have the dimensions specified in Figure 4.

4.4 MATERIALS AND FINISHES

The materials and finishes shall be as specified herein. Where a definite material is not specified, a material which will enable the power dividers specified herein to meet the performance requirements of this specification shall be used. Acceptance or approval of any constituent material does not guarantee acceptance of the finished product.

4.4.1 Connector Receptacle

4.4.1.1 *Variant 01*

Beryllium copper, copper underplate, gold-plated as per ESCC Detail Specification No. 3402/002.

4.4.1.2 *Variant 02*

Beryllium copper, nickel underplate, gold-plated as per ESCC Detail Specification No. 3402/002.

4.4.1.3 *Variant 03*

Stainless steel as per ESCC Detail Specification No. 3402/002.

4.4.2 Body

4.4.2.1 *Package*

Aluminium with Alodine 1200 surface treatment.

4.4.2.2 *Lids*

Aluminium, gold-plated 2.5 microns minimum over chemical nickel.

4.5 MARKING

4.5.1 General

The marking of all components delivered to this specification shall be in accordance with the requirements of ESCC Basic Specification No. 21700 and the following paragraphs. When the component is too small to accommodate all of the marking specified, as much as space permits shall be marked and the marking information, in full, shall accompany the component in its primary package.

The information to be marked and the order of precedence, shall be as follows:

- (a) The ESCC Component Number.
- (b) Characteristics.
- (c) Traceability Information.

4.5.2 The ESCC Component Number

Each component shall bear the ESCC Component Number which shall be constituted and marked as follows:

Example: 340400101B

- Detail Specification Number: 3404001
- Type Variant (See Para. 4.4.1): 01
- Testing Level: B

4.5.3 Characteristics

The characteristics to be marked in the following order of precedence are:

- (a) Coupling.
- (b) Frequency Range.

Example: 03R0 - D

- Coupling (3dB): 03R0
- Frequency Range (as applicable): D

4.5.3.1 Coupling Values

Coupling values shall be expressed according to the following codes. The unit quantity for marking shall be decibels (dB).

Numerical Value	Code
X	0XR0
XX	XXR0

4.5.3.2 Frequency Range

Frequency ranges shall be expressed according to the following codes:

Code Letter	Frequency Range (GHz)
D	8.2 - 8.45
E	3.7 - 4.2
F	11.7 - 12.1
G	12.5 - 12.7
H	14 - 14.25
J	5.9 - 6.4
L	7.25 - 7.75
M	7.9 - 8.4
N	1.8 - 2.5

4.5.4 Traceability Information

Each component shall be marked in respect of traceability information in accordance with the requirements of ESCC Basic Specification No. 21700.

4.6 ELECTRICAL MEASUREMENTS

4.6.1 Electrical Measurements at Room Temperature

The parameters to be measured in respect of electrical characteristics are scheduled in Table 2. Unless otherwise specified, the measurements shall be performed at $T_{amb} = +22 \pm 3$ °C.

4.6.2 Electrical Measurements at High and Low Temperatures

The parameters to be measured at high and low temperatures are scheduled in Table 3.

4.6.3 Circuits for Electrical Measurements

Circuits for use in performing electrical measurements are given in ESCC Generic Specification No. 3404.

4.7 BURN-IN TESTS

4.7.1 Parameter Drift Values

The parameter drift values applicable to burn-in are specified in Table 4 of this specification. Unless otherwise stated, measurements shall be performed at $T_{amb} = +22 \pm 3$ °C. The parameter drift values (Δ) applicable to the parameters scheduled shall not be exceeded. In addition to these drift value requirements for a given parameter, the appropriate limit value specified in Table 2 shall not be exceeded.

4.7.2 Conditions for Burn-in

The requirements for burn-in are specified in Section 7 of ESCC Generic Specification No. 3404. The conditions for burn-in shall be as specified in Table 5(a) of this specification.

On completion of burn-in, a recovery period of 24 ± 2 hours is necessary before performance of the end-measurements.

4.7.3 Electrical Circuit for Burn-in (Figure 5)

Not applicable.

TABLE 2 – ELECTRICAL MEASUREMENTS AT ROOM TEMPERATURE

No.	Characteristics	Symbol	ESCC 3404 Test Method And Condition	Limits		Unit
				Min.	Max.	
1	VSWR	RL	Para. 9.5.1.2.4	See Table 1(a)		
2	Average Coupling	AVc	Para. 9.5.1.2.1	-3.2	-3	dB
3	Amplitude Balance	AMb	Para. 9.5.1.2.2	-0.4	+0.4	dB
4	Phase Balance	PHb	Para. 9.5.1.2.3	See Table 1(a)		°
5	Isolation	ISO	Para. 9.5.1.2.6	See Table 1(a)		dB
6	Insertion Loss	IL	Para. 9.5.1.2.5	See Table 1(a)		dB

TABLE 3 - ELECTRICAL MEASUREMENTS AT HIGH AND LOW TEMPERATURES

No.	Characteristics	Symbol	ESCC 3404 Test Method And Condition	Limits		Unit
				Min.	Max.	
3	Amplitude Balance	AMb	Para. 9.5.1.2.2	-0.4	+0.4	dB

FIGURE 4 - TEST WEIGHT CONFIGURATION

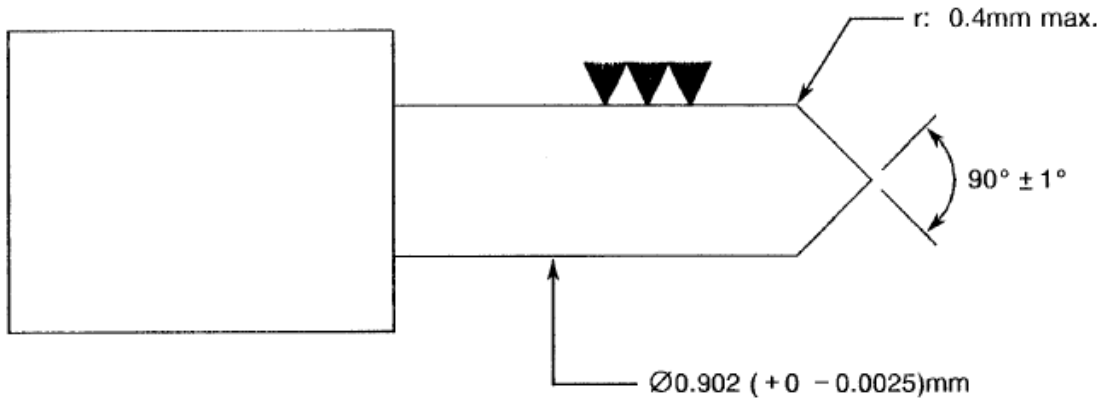


TABLE 4 - PARAMETER DRIFT VALUES

No.	Characteristics	Symbol	Spec. And/Or Test Method	Test Conditions	Change Limits (Δ)	Unit
3	Amplitude Balance Drift	$\frac{\Delta AMb}{AMb}$	As per Table 2	As per Table 2	± 0.1	dB
7	Contact Resistance Drift	$\frac{\Delta RC}{RC}$	Note 1	Note 1	120	%

NOTES

- Contact resistance shall be measured between E and SD and between SI and SC, using a 4-wire Ohm-meter.

TABLE 5(a) - CONDITIONS FOR BURN-IN

No.	Characteristics	Symbol	Condition	Unit
1	Ambient Temperature	T_{amb}	+100 (+5 -0) (Note 1)	$^{\circ}C$
2	Input Power	P_{in}	0	W

NOTES

- +125 (+5 -0) $^{\circ}C$ for Frequency Range 'N'.

TABLE 5(b) - CONDITIONS FOR OPERATING LIFE TESTS

No.	Characteristics	Symbol	Condition	Unit
1	Ambient Temperature	T_{amb}	+90	$^{\circ}C$
2	Input Power DC	P_{in}	18 (Note 1)	W

NOTES

- On each 2 ports E and SI. Power loads on SC and SD.

FIGURE 5 - ELECTRICAL CIRCUIT FOR BURN-IN AND OPERATING LIFE TESTS

Not applicable.

- 4.8 ENVIRONMENTAL AND ENDURANCE TESTS (CHARTS IV AND V OF ESCC GENERIC SPECIFICATION No. 3404)
- 4.8.1 Measurements and Inspections on Completion of Environmental Tests
The parameters to be measured and inspections to be performed on completion of environmental tests are scheduled in Table 6. Unless otherwise stated, the measurements shall be performed at $T_{amb} = +22 \pm 3$ °C.
- 4.8.2 Measurements and Inspections at Intermediate Points during Endurance Tests
The parameters to be measured and inspections to be performed at Intermediate Points during endurance tests are scheduled in Table 6. Unless otherwise stated, the measurements shall be performed at $T_{amb} = +22 \pm 3$ °C.
- 4.8.3 Measurements and Inspections on Completion of Endurance Tests
The parameters to be measured and inspections to be performed on completion of endurance testing are scheduled in Table 6. Unless otherwise stated, the measurements shall be performed at $T_{amb} = +22 \pm 3$ °C.
- 4.8.4 Conditions for Operating Life Tests (Part of Endurance Testing)
The requirements for operating life testing are specified in Section 9 of ESCC Generic Specification No. 3404. The conditions for operating life testing shall be as specified in Table 5(b) of this specification.
- 4.8.5 Electrical Circuit for Operating Life Test (Figure 5)
Not applicable
- 4.8.6 Conditions for High Temperature Storage Test (Part of Endurance Testing)
The requirements for high temperature storage test are specified in Section 9 of ESCC Generic Specification No. 3404. The conditions for high temperature storage testing shall be as specified in Table 5(a) of this specification.

TABLE 6 - MEASUREMENTS AND INSPECTIONS ON COMPLETION OF ENVIRONMENTAL TESTS AND AT INTERMEDIATE POINTS AND ON COMPLETION OF ENDURANCE TESTING

No.	ESCC Generic Spec. No. 3404		Measurements And Inspections		Symbol	Limits		Unit
	Environmental And Endurance Tests (1)	Test Method And Conditions	Identification	Conditions		Min.	Max.	
01	Vibration (2)	Para. 9.7	During Test Electrical Measurements Final Measurements Visual Examination	Last Cycle Intermittent, Open or Short Circuits After Test No damage	- -	- -	- -	- -
02	Shock or Bump	Para. 9.8	Final Measurements Visual Examination Electrical Measurements	After Test No damage Table 2 Items 1 to 6	- -	- Table 2	- -	- -
03	Rapid Change of Temperature	Para. 9.9	Final Measurements Visual Examination Electrical Measurements	After 24±2 hours recovery No damage Table 2 Items 1 to 6	- -	- Table 2	- -	- -
04	Climatic Sequence Dry Heat Cold Test Low Air Pressure	Para. 9.10 and Paras. 4.2.4 and 4.2.5 of this spec. Para. 9.10.2 Para. 9.10.4 Para. 9.10.5 Para. 9.10.7	During Test Electrical Measurements During Test Electrical Measurements During Test Rated Power Final Measurements Visual Inspection Electrical Measurements	At High Temp. Table 3 Item 3 At LowTemp. Table 3 Item 3 At +35°C and 8500Pa (85mbar) 40W After 1 to 24 hrs recovery ESCC 20500 No damage Table 2 Items 1 to 6	- - -	Table 3 Table 3	- -	- -
05	Corrosion	Para. 9.11 and Para. 4.2.4 of this spec.	Not applicable	-	-	-	-	-

No.	ESCC Generic Spec. No. 3404		Measurements And Inspections		Symbol	Limits		Unit
	Environmental And Endurance Tests (1)	Test Method And Conditions	Identification	Conditions		Min.	Max.	
06	Operating Life	Para. 9.12 and Table 5(b) of this spec.	Initial Measurements					
			Amplitude Balance	Table 2 Item 3	-	Record Values	-	
			Contact Resistance	Table 4 Item 7	-	Record Values	-	
			Intermediate Measurements	At 168 and 500 hrs after 1 to 2 hrs recovery				
			Electrical Measurements	Table 4 Item 7	-	Table 4	-	
			Final Measurements	At 1000 hrs after 1 to 2 hours				
			Visual Examination	No damage	-	-	-	
	Electrical Measurements	Table 2 Items 1, 2, 4, 5, 6 Table 4 Items 3 and 7	-	Table 2 Table 4	-			
07	RF Leakage	Para. 9.13	RF Leakage	Para. 9.13 of ESCC 3404	-	Table 1(b) Item 5	dB	
08	Power Level	Para. 9.14	Final Measurements	At 1.5 x P_{IN} Until 15 mins after Thermal Equilibrium				
			Electrical Measurements	Table 2 Items 1 to 6	-	Table 2	-	
09	High Temperature Storage	Para. 9.15 and Table 5(a) of this spec.	Initial Measurements					
			Contact Resistance	Table 4 Item 7	-	Record Values	-	
			Final Measurements	After 1 to 2 hours recovery				
			Visual Examination	No damage	-	-	-	
			Contact Resistance	Table 4 Item 7	-	Table 4	-	
	Electrical Measurements	Table 2 Items 1 to 6	-	Table 2	-			

No.	ESCC Generic Spec. No. 3404		Measurements And Inspections		Symbol	Limits		Unit
	Environmental And Endurance Tests (1)	Test Method And Conditions	Identification	Conditions		Min.	Max.	
10	Peak Power	Para. 9.16	During Test	250W, 1.0µs pulse width at one pulse per second				
			Final Measurements	After components reach room temp.				
			Electrical Measurements	Table 2 Items 1 to 6	-	Table 2		-
11	Permanence of Marking	Para. 9.17	-	-	-	-	-	-

NOTES

1. The tests in this Table refer to either Chart IV or V and shall be used as applicable.
2. See Figure 2 reference vibration axis.