



Page 1 of 13

**ISOLATORS, HIGH POWER, S-BAND (2.0GHz to 2.7GHz),
WITH NON-INTEGRAL TNC COAXIAL CONNECTORS**

BASED ON TYPES BE11E2-105 AND BE12E2-105

ESCC Detail Specification No. 3202/022

Issue 1	February 2017
---------	---------------



Document Custodian: European Space Agency – see <https://escies.org>

LEGAL DISCLAIMER AND COPYRIGHT

European Space Agency, Copyright © 2017. All rights reserved.

The European Space Agency disclaims any liability or responsibility, to any person or entity, with respect to any loss or damage caused, or alleged to be caused, directly or indirectly by the use and application of this ESCC publication.

This publication, without the prior permission of the European Space Agency and provided that it is not used for a commercial purpose, may be:

- copied in whole, in any medium, without alteration or modification.
- copied in part, in any medium, provided that the ESCC document identification, comprising the ESCC symbol, document number and document issue, is removed.

DOCUMENTATION CHANGE NOTICE

(Refer to <https://escies.org> for ESCC DCR content)

DCR No.	CHANGE DESCRIPTION

TABLE OF CONTENTS

1	GENERAL	5
1.1	SCOPE	5
1.2	APPLICABLE DOCUMENTS	5
1.3	TERMS, DEFINITIONS, ABBREVIATIONS, SYMBOLS AND UNITS	5
1.4	THE ESCC COMPONENT NUMBER AND COMPONENT TYPE VARIANTS	5
1.4.1	The ESCC Component Number.....	5
1.4.1.1	Characteristics Codes	5
1.4.2	Component Type Variants.....	6
1.5	MAXIMUM RATINGS	6
1.6	HANDLING PRECAUTIONS	7
1.7	PHYSICAL DIMENSIONS AND PORT IDENTIFICATION	8
1.8	FUNCTIONAL DIAGRAM	9
1.9	MATERIALS AND FINISHES	9
2	REQUIREMENTS.....	9
2.1	GENERAL	9
2.1.1	Deviations from the Generic Specification	10
2.1.1.1	Deviations from Special In-Process Controls (Chart F2)	10
2.1.1.2	Deviations from Screening Tests (Chart F3).....	10
2.2	MARKING	10
2.3	ELECTRICAL MEASUREMENTS AT ROOM, HIGH AND LOW TEMPERATURES	11
2.3.1	Room Temperature Electrical Measurements.....	11
2.3.2	High and Low Temperatures Electrical Measurements	11
2.4	INTERMEDIATE AND END-POINT ELECTRICAL MEASUREMENTS	12
APPENDIX A		13

1 GENERAL

1.1 SCOPE

This specification details the ratings, physical and electrical characteristics and test and inspection data for the component type variants and/or the range of components specified below. It supplements the requirements of, and shall be read in conjunction with, the ESCC Generic Specification listed under Applicable Documents.

1.2 APPLICABLE DOCUMENTS

The following documents form part of this specification and shall be read in conjunction with it:

- (a) ESCC Generic Specification No. [3202](#).
- (b) ESCC Detail Specification No. [3402/009](#), RF Coaxial Connectors Type TNC (Female Contact).

1.3 TERMS, DEFINITIONS, ABBREVIATIONS, SYMBOLS AND UNITS

For the purpose of this specification, the terms, definitions, abbreviations, symbols and units specified in ESCC Basic Specification No. [21300](#) shall apply.

1.4 THE ESCC COMPONENT NUMBER AND COMPONENT TYPE VARIANTS

1.4.1 The ESCC Component Number

The ESCC Component Number shall be constituted as follows:

Example: 3202022012.0

- Detail Specification Reference: 3202022
- Component Type Variant Number: 01 (as required)
- Characteristic code: Centre Frequency (2GHz): 2.0 (as required)

1.4.1.1 *Characteristics Codes*

Characteristics to be codified as part of the ESCC Component Number shall be as follows:

- (a) Centre Frequency expressed by means of the following codes. The unit quantity shall be GHz:

Centre Frequency (GHz)	Code
X	X.0
X.X	X.X

1.4.2 Component Type Variants

The component type variants applicable to this specification are as follows:

Variant Number	Based on Type	Description (Note 1)	Centre Frequency Range f_c (GHz) (Note 2)	Maximum Weight (g)
01	BE11E2-105	Clockwise Isolator with Non-integral Female TNC Coaxial Connectors	2 to 2.7	300
02	BE12E2-105	Anti-clockwise Isolator with Non-integral Female TNC Coaxial Connectors	2 to 2.7	300

NOTES:

1. Direction of circulation as viewed from above; see Physical Dimensions and Port Identification.
2. Any centre frequency in the range, to 2 significant figures, is available.

1.5 MAXIMUM RATINGS

The maximum ratings shall not be exceeded at any time during use or storage.

Maximum ratings shall only be exceeded during testing to the extent specified in this specification and when stipulated in Test Methods and Procedures of the ESCC Generic Specification.

Characteristics	Symbols	Maximum Ratings	Units	Remarks
Operating Frequency Range	f_{op}	$f_c \pm 0.2$	GHz	Over T_{op} , Note 1
Rated RF Power (Forward)	P_F	200	W	Over f_{op} and T_{op}
Rated RF Power (Reverse)	P_R	200	W	Over f_{op} and T_{op} , Note 2
Nominal Impedance	Z	50	Ω	
Multipaction Level (Output Port Loaded)	M_L	600	W	Multipaction Classification Type: 2
Corona level (Output Port Loaded)	C_L	60	W	
Functional Temperature Range	T_{func}	-30 to +120	$^{\circ}C$	T_{amb} , Notes 2, 3
Operating Temperature Range	T_{op}	-30 to +90	$^{\circ}C$	Without derating. T_{amb}
Storage Temperature Range	T_{stg}	-40 to +125	$^{\circ}C$	

NOTES:

1. f_c = centre frequency; see Component Type Variants.
2. Derate reverse power for $T_{amb} > +110^{\circ}C$ at $5W/^{\circ}C$
3. The electrical performance of the components at $T_{amb} > +90^{\circ}C$ is neither guaranteed nor measured.

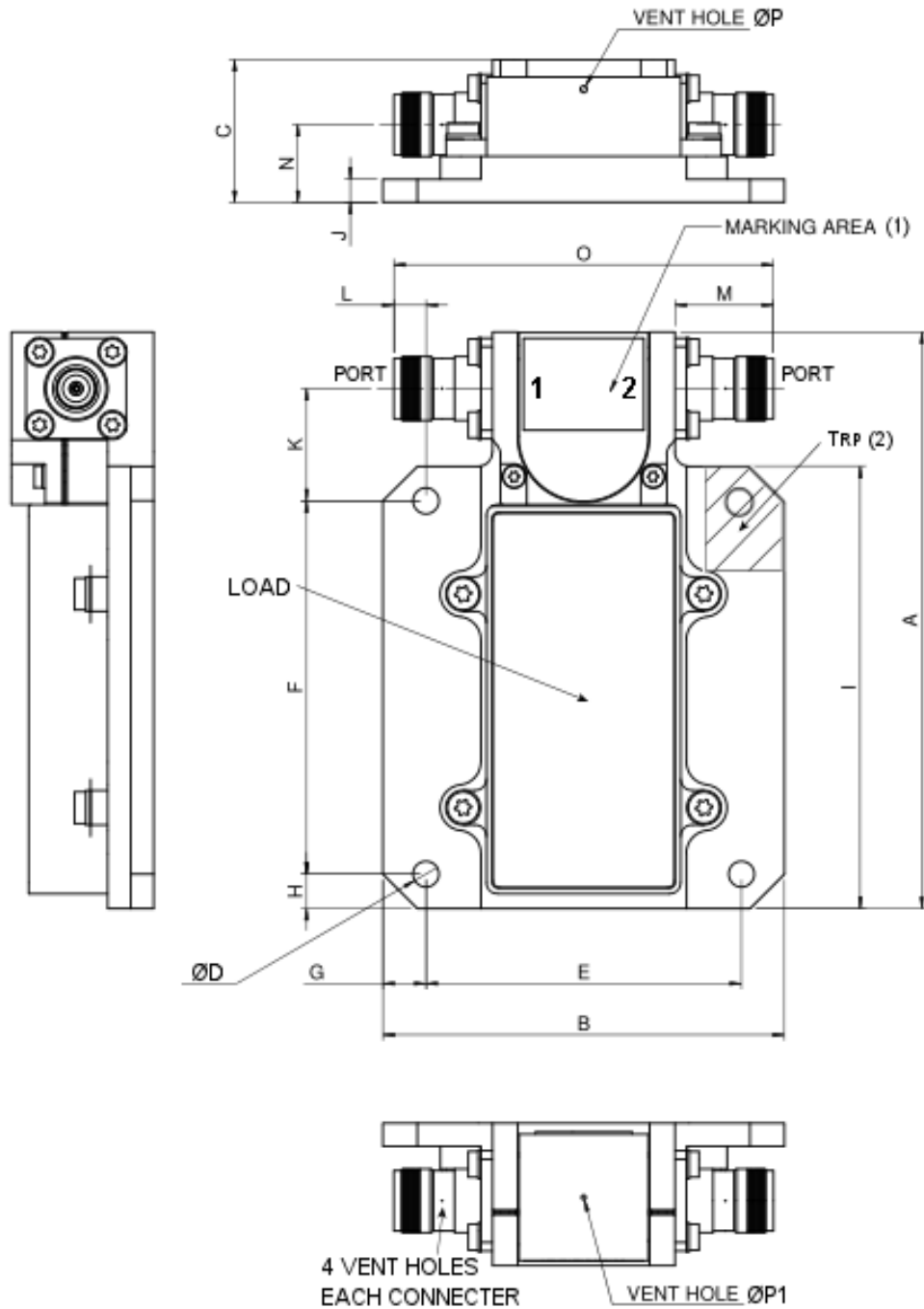
1.6 HANDLING PRECAUTIONS

These devices are susceptible to damage by strong magnetic fields. Therefore suitable precautions shall be employed for protection during all phases of manufacture, testing, packaging, shipment and any handling.

The load contains Beryllium Oxide (BeO) and therefore it must not be ground, machined, sandblasted or subjected to any mechanical operation which will produce dust. The case must not be subjected to any chemical process (e.g. etching) which will produce fumes.

1.7 PHYSICAL DIMENSIONS AND PORT IDENTIFICATION

All dimensions shown below are critical dimensions.

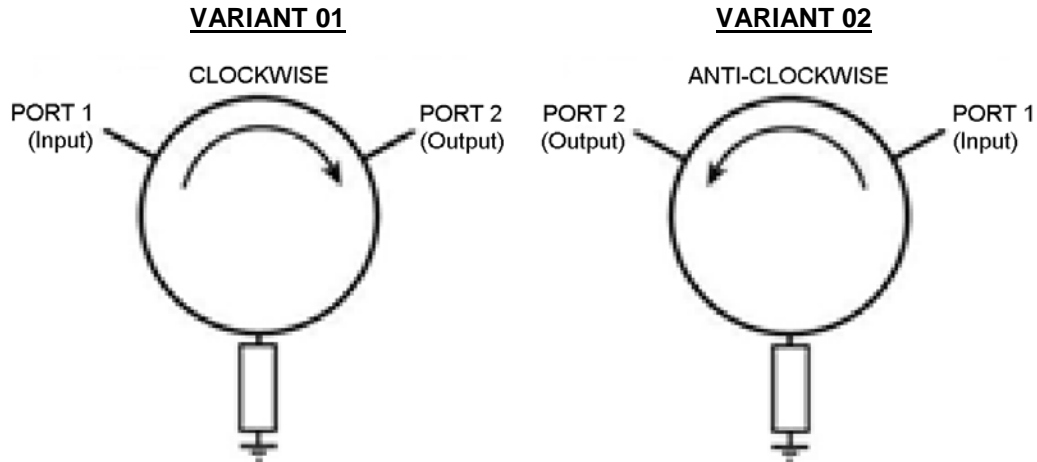


Symbol	Millimetres	
	Min	Max
A	100.1	100.7
B	69.7	70.3
C	24.5	25.1
ØD	4.5	4.6
E	54.8	55.2
F	64.8	65.2
G	7.3	7.7
H	5.8	6.2
I	76.9	77.1
J	3.8	4.2
K	19.05	20.05
L	5.3	5.9
M	17.1	17.3
N	13.2	13.8
O	65.9	66.5
ØP	1.1	1.3
ØP1	0.7	0.9

NOTES:

1. Port identification and direction of circulation is specified by reference to the port number marking, 1 or 2, in the marking area shown. The figure above shows the port identification for Variant 01 as an example.
2. The location of the reference point for measurement of surface temperature (T_{RP}) shall be within the area shown.
3. The TNC interface dimensions for the 2 connectors are as specified in ESCC Detail Specification No. [3402/009](#).
4. The body is painted black except around the mounting holes, in the T_{RP} area, around the vent holes and on the mounting foot surface.

1.8 FUNCTIONAL DIAGRAM



NOTES:

1. The 2 ports may be configured as either the Input (Port 1) or Output (Port 2). The direction of circulation is given by the port number marking (1 to 2); see Physical Dimensions and Port Identification.
2. Grounding via mounting foot.

1.9 MATERIALS AND FINISHES

- (a) Main Body: Aluminium, silver plated, plating thickness 13 μ m minimum, painted black (see Para. 1.7).
- (b) Yoke: Steel, nickel plated, plating thickness 5 μ m minimum, painted black (see Para. 1.7).
- (c) Connectors: Non-integral TNC (female contact) connectors, amagnetic stainless steel, electro-passivated with copper alloy contacts, gold, 1.27 μ m, over nickel, 2 μ m.
- (d) Load block: The load block shall be made of a Beryllium Oxide substrate with a suitable resistive material.

2 REQUIREMENTS

2.1 GENERAL

The complete requirements for procurement of the components specified herein are as stated in this specification and the ESCC Generic Specification. Permitted deviations from the Generic Specification, applicable to this specification only, are listed below.

Permitted deviations from the Generic Specification and this Detail Specification, formally agreed with specific Manufacturers on the basis that the alternative requirements are equivalent to the ESCC requirement and do not affect the component's reliability, are listed in the appendices attached to this specification.

2.1.1 Deviations from the Generic Specification

2.1.1.1 *Deviations from Special In-Process Controls (Chart F2)*

- (a) **Resistive Load Element Operating Life:**
4 assembled load blocks shall be subjected to a DC power life test with the following conditions. If any failure occurs, the load block production lot shall be considered as failed:
- Duration: 1000 hours minimum.
 - Test Temperature: $T_{amb} = +125 (+0 -3)^{\circ}\text{C}$.
 - DC Power Applied: 125Wdc (equivalent DC rated power at $+125^{\circ}\text{C}$) (in a permanently 'on' condition).
 - Load Resistance Limits: 47.5 Ω minimum, 52.5 Ω maximum.
 - Data Points:
Load Resistance and Change in Load Resistance shall be measured at 0 hours and after 1000 hours. Change in Load Resistance shall be $\leq 5\%$, related to the 0 hour measurement.
- (b) **Resistive Load Element Burn-in (performed after assembly):**
Each isolator shall be subjected to a DC power burn-in with the following conditions. Any failures shall be rejected:
- Duration: 168 hours minimum.
 - Test Temperature: $T_{amb} = +90 (+0 -3)^{\circ}\text{C}$.
 - DC Power Applied: 200Wdc.
 - Load Resistance Limits: 47.5 Ω minimum, 52.5 Ω maximum.
 - Data Points:
Load Resistance and Change in Load Resistance shall be measured at 0 hours and after 168 hours. Change in Load Resistance shall be $\leq 5\%$, related to the 0 hour measurement.

2.1.1.2 *Deviations from Screening Tests (Chart F3)*

- (a) Multipaction: shall not be performed.
(b) Corona Level: shall not be performed.
(c) Radiographic Inspection: shall be performed only on the load block. It may be performed prior to isolator assembly.

2.2 MARKING

The marking shall be in accordance with the requirements of ESCC Basic Specification No. [21700](#) and as follows.

The information to be marked on the component shall be:

- (a) The Port identification.
(b) The ESCC qualified components symbol (for ESCC qualified components only).
(c) The ESCC Component Number.
(d) Traceability information.
(e) Warning sign for Beryllium Oxide.

2.3 ELECTRICAL MEASUREMENTS AT ROOM, HIGH AND LOW TEMPERATURES

The measurements shall be performed at room, high and low temperatures.

2.3.1 Room Temperature Electrical Measurements

The measurements shall be performed at $T_{amb} = +22 \pm 3^{\circ}\text{C}$.

Characteristics	Symbols	Test Method and Conditions (Note 1)	Limits		Units
			Min	Max	
Voltage Standing Wave Ratio	VSWR	ESCC No. 3202	-	1.22	-
Isolation	ISO	ESCC No. 3202	20	-	dB
Insertion Loss	I_L	ESCC No. 3202	-	0.3	dB

NOTES:

1. Tested over the full operating frequency range as applicable.

2.3.2 High and Low Temperatures Electrical Measurements

The measurements shall be performed at $T_{amb} = +90 (+0 -3)^{\circ}\text{C}$ and $T_{amb} = -30 (+3 -0)^{\circ}\text{C}$.

Characteristics	Symbols	Test Method and Conditions (Note 1)	Limits		Units
			Min	Max	
Voltage Standing Wave Ratio	VSWR	ESCC No. 3202	-	1.22	-
Isolation	ISO	ESCC No. 3202	20	-	dB
Insertion Loss	I_L	ESCC No. 3202	-	0.3	dB
Reference Point Temperature	T_{RP}	ESCC No. 3202 Note 2	-	+90	$^{\circ}\text{C}$

NOTES:

1. Tested over the full operating frequency range as applicable.

2. Only tested during Screening Tests, Power Thermal Vacuum. See Para. 1.7.

2.4 INTERMEDIATE AND END-POINT ELECTRICAL MEASUREMENTS

Unless otherwise specified, the measurements shall be performed at $T_{amb} = +22 \pm 3^{\circ}C$.

Unless otherwise specified, test methods and test conditions shall be as per the corresponding test defined in Room Temperature Electrical Measurements.

The drift values (Δ) shall not be exceeded for each characteristic where specified. The corresponding absolute limit values for each characteristic shall not be exceeded.

Test Reference per ESCC No. 3202	Characteristics	Symbols	Limits		Units
			Min	Max	
Random Vibration Final Measurements	Voltage Standing Wave Ratio Isolation Insertion Loss	VSWR ISO I _L	As per Para. 2.3.1 As per Para. 2.3.1 As per Para. 2.3.1		- dB dB
Shock Final Measurements	Voltage Standing Wave Ratio Isolation Insertion Loss	VSWR ISO I _L	As per Para. 2.3.1 As per Para. 2.3.1 As per Para. 2.3.1		- dB dB
Thermal Shock Final Measurements	Voltage Standing Wave Ratio Isolation Insertion Loss	VSWR ISO I _L	As per Para. 2.3.1 As per Para. 2.3.1 As per Para. 2.3.1		- dB dB
Thermal Stability of Insertion Loss	Continuous monitoring of: Insertion Loss (at f _c)	IL	As per ESCC No. 3202		-
Radiated Emission Sniff Test	Shielding Effectiveness	SE	70	-	dBi
Power Thermal Vacuum (Test #2)	Continuous monitoring of: Voltage Standing Wave Ratio (at f _c) Reference Point Temperature	VSWR T _{RP}	As per Para. 2.3.1 -	+90	- °C



APPENDIX A
AGREED DEVIATIONS FOR COBHAM MICROWAVE (F)

Items Affected	Description of Deviations
Deviations from Requirements for Non-Integral Coaxial Connectors	Non-Integral connectors may not be ESCC Qualified but shall comply with the requirements specified in ESCC Generic Specification No. 3402. For qualified isolators, the detail specification used to procure the connectors shall be agreed by the ESCC Executive and shall form part of the PID.