



RESISTOR, FIXED, CHIP, METAL FOIL
BASED ON TYPE SMP-PW, SMS-PW, SMT-PW
ESCC Detail Specification No. 4001/027

Issue 6	December 2018
---------	---------------



LEGAL DISCLAIMER AND COPYRIGHT

European Space Agency, Copyright © 2018. All rights reserved.

The European Space Agency disclaims any liability or responsibility, to any person or entity, with respect to any loss or damage caused, or alleged to be caused, directly or indirectly by the use and application of this ESCC publication.

This publication, without the prior permission of the European Space Agency and provided that it is not used for a commercial purpose, may be:

- copied in whole, in any medium, without alteration or modification.
- copied in part, in any medium, provided that the ESCC document identification, comprising the ESCC symbol, document number and document issue, is removed.

DOCUMENTATION CHANGE NOTICE

(Refer to <https://escies.org> for ESCC DCR content)

DCR No.	CHANGE DESCRIPTION
1188	Specification upissued to incorporate changes per DCR.

TABLE OF CONTENTS

1	GENERAL	5
1.1	SCOPE	5
1.2	APPLICABLE DOCUMENTS	5
1.3	TERMS, DEFINITIONS, ABBREVIATIONS, SYMBOLS AND UNITS	5
1.4	THE ESCC COMPONENT NUMBER AND COMPONENT TYPE VARIANTS	5
1.4.1	The ESCC Component Number	5
1.4.1.1	Characteristics Codes	5
1.4.2	Component Type Variants and Range of Components	6
1.5	MAXIMUM RATINGS	7
1.6	PHYSICAL DIMENSIONS	8
1.7	FUNCTIONAL DIAGRAM	8
1.8	MATERIALS AND FINISHES	8
1.8.1	Terminations	8
2	REQUIREMENTS	9
2.1	GENERAL	9
2.1.1	Deviations from the Generic Specification	9
2.1.1.1	Deviations from Production Control - Chart F2	9
2.1.1.2	Deviations from Screening Tests - Chart F3	9
2.1.1.3	Deviations from Qualification and Periodic Tests - Chart F4	10
2.1.1.4	Deviations from Data Documentation	10
2.2	MARKING	10
2.3	OVERLOAD	10
2.4	RESISTANCE TO SOLDERING HEAT	10
2.5	ELECTRICAL MEASUREMENTS AT ROOM, HIGH AND LOW TEMPERATURES	11
2.5.1	Room Temperature Electrical Measurements	11
2.5.2	High and Low Temperatures Electrical Measurements	11
2.6	INTERMEDIATE AND END-POINT ELECTRICAL MEASUREMENTS	12
2.7	BURN-IN CONDITIONS	13
2.7.1	No-Bias Burn-in Conditions for 100% Testing	13
2.7.2	Biased Burn-in Conditions for Screening Sub-lot Samples	13
2.8	OPERATING LIFE CONDITIONS	13
	APPENDIX A	14

1 GENERAL

1.1 SCOPE

This specification details the ratings, physical and electrical characteristics and test and inspection data for the component type variants and/or the range of components specified below. It supplements the requirements of, and shall be read in conjunction with, the ESCC Generic Specification listed under Applicable Documents.

1.2 APPLICABLE DOCUMENTS

The following documents form part of this specification and shall be read in conjunction with it:

- (a) ESCC Generic Specification No. 4001.
- (b) A-QS-009, Isabellenhütte Test Procedure for Infrared Measurement.

1.3 TERMS, DEFINITIONS, ABBREVIATIONS, SYMBOLS AND UNITS

For the purpose of this specification, the terms, definitions, abbreviations, symbols and units specified in ESCC Basic Specification No. 21300 shall apply.

1.4 THE ESCC COMPONENT NUMBER AND COMPONENT TYPE VARIANTS

1.4.1 The ESCC Component Number

The ESCC Component Number shall be constituted as follows:

Example: 4001027031R5D

- Detail Specification Reference: 4001027
- Component Type Variant Number: 03 (as required)
- Characteristic code: Resistance Value (1.5Ω): 1R5 (as required)
- Characteristic code: Resistance Tolerance (±0.5%): D (as required)

1.4.1.1 Characteristics Codes

Characteristics and/or ratings to be codified as part of the ESCC Component Number shall be as follows:

- (a) Resistance Value expressed by means of the following codes. The unit quantity shall be ohm (Ω):

Resistance Value (Ω)	Code
0.00XX	R00XX
0.0XX	R0XX
0.XX	RXX
X.X	XRX

- (b) Resistance Tolerance expressed by the following codes in accordance with ESCC Basic Specification No. 21700:

Tolerance (± %)	Code Letter
0.5	D
1	F

1.4.2 Component Type Variants and Range of Components

The component type variants and range of components applicable to this specification are as follows:

Variant Number	Type	Style (Note 1)	Resistance Range R _n		Tolerance (± %)	Temperature Coefficient TC (±10 ⁻⁶ /°C)	Value Series	Weight max (g)
			Min (Ω)	Max (Ω)				
01	SMP-PW	2010	0.010	1.0	0.5, 1	Note 2	E12	0.06
02	SMS-PW	2512	0.010	1.0	0.5, 1	Note 2	E12	0.1
03	SMT-PW	2817	0.010	2.0	0.5, 1	Note 2	E12	0.15
04	SMP-PW	2010	0.0050	0.0090	0.5, 1	Note 3	E12	0.06
05	SMS-PW	2512	0.0030	0.0090	0.5, 1	Note 3	E12	0.1
06	SMT-PW	2817	0.0040	0.0090	0.5, 1	Note 3	E12	0.15

NOTES

- See Para. 1.6.
- Temperature Coefficient, TC, requirements for Variants 01, 02, 03 with R_n ≥ 10mΩ:

Temperature Coefficient TC (± 10 ⁻⁶ /°C)	Requirement
-100, +0	over T _{amb} = -55°C to +22°C
±60	over T _{amb} = +22°C to +170°C
±50	over T _{amb} = +22°C to +60°C

- Temperature Coefficient, TC, requirements for Variants 04, 05, 06 with R_n < 10mΩ:

Temperature Coefficient TC (± 10 ⁻⁶ /°C)	Requirement
-140, +0	over T _{amb} = -55°C to +22°C
±100	over T _{amb} = +22°C to +170°C
±100	over T _{amb} = +22°C to +60°C

1.5 MAXIMUM RATINGS

The maximum ratings shall not be exceeded at any time during use or storage.

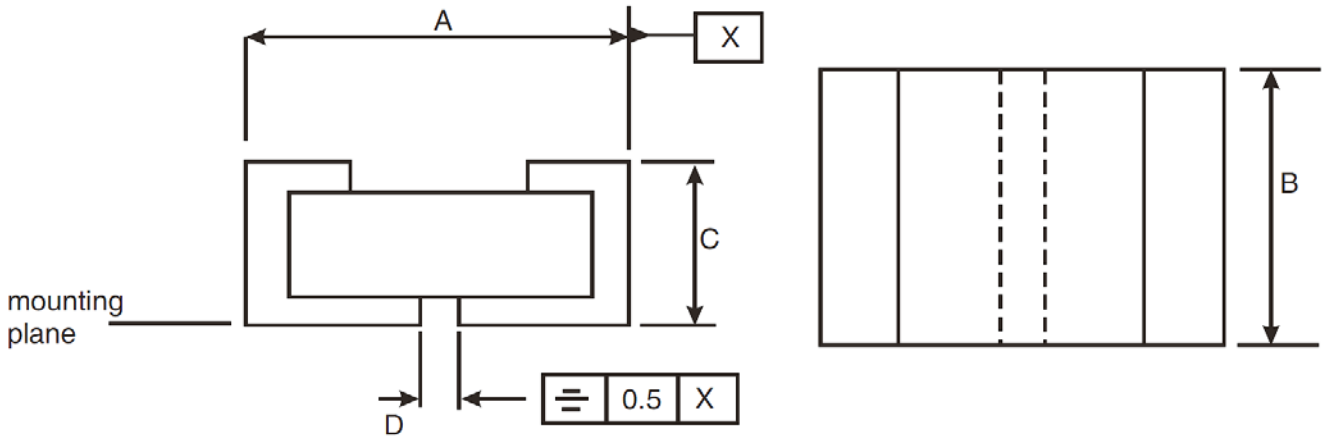
Maximum ratings shall only be exceeded during testing to the extent specified in this specification and when stipulated in Test Methods and Procedures of the ESCC Generic Specification.

Characteristics	Variant Number	Style	Symbols	Limits	Units	Remarks
Rated Dissipation	01, 04	2010	P_n	1	W	Note 1
	02, 05	2512		2		Note 2
	03, 06	2817		3		Note 1
Rated Voltage	All	All	U_R	$\sqrt{(P_n \times R_n)}$	V	Note 3
Isolation Voltage	All	All	U_I	200	V	-
Operating Temperature Range	All	All	T_{op}	-55 to +170	°C	T_{amb}
Storage Temperature Range	All	All	T_{stg}	-55 to +170	°C	-
Soldering Temperature	All	All	T_{sol}	+260	°C	Note 4

NOTES:

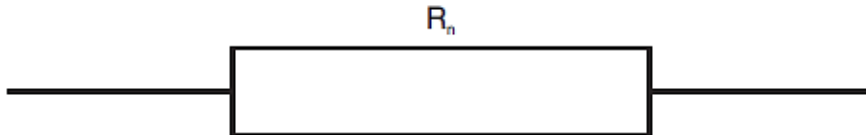
1. At $T_{amb} \leq +130^\circ\text{C}$. For $T_{amb} > +130^\circ\text{C}$, derate linearly to 0W at $T_{amb} = +170^\circ\text{C}$.
2. At $T_{amb} \leq +120^\circ\text{C}$. For $T_{amb} > +120^\circ\text{C}$, derate linearly to 0W at $T_{amb} = +170^\circ\text{C}$.
3. R_n = rated resistance.
4. Duration 5 seconds maximum.

1.6 PHYSICAL DIMENSIONS



Variant Number	Style	Dimensions (mm)							
		A		B		C		D	
		Min	Max	Min	Max	Min	Max	Min	Max
01, 04	2010	4.98	5.18	2.44	2.64	0.5	0.9	0.6	1.2
02, 05	2512	6.15	6.55	2.95	3.15	0.6	1	0.6	1.2
03, 06	2817	6.9	7.3	4.1	4.3	0.6	1	0.6	1.2

1.7 FUNCTIONAL DIAGRAM



1.8 MATERIALS AND FINISHES

1.8.1 Terminations

The termination and finish shall be electroplated tin-lead Sn60 to a maximum thickness of 20µm.

2 REQUIREMENTS

2.1 GENERAL

The complete requirements for procurement of the components specified herein are as stated in this specification and the ESCC Generic Specification. Permitted deviations from the Generic Specification, applicable to this specification only, are listed below.

Permitted deviations from the Generic Specification and this Detail Specification, formally agreed with specific Manufacturers on the basis that the alternative requirements are equivalent to the ESCC requirement and do not affect the component's reliability, are listed in the appendices attached to this specification.

2.1.1 Deviations from the Generic Specification

2.1.1.1 *Deviations from Production Control - Chart F2*

(a) Infrared Measurement

Add Infrared Measurement in accordance with A-QS-009 prior to Dimension Check.

Applied Voltage:

- Variants 01, 04: $\sqrt{(12P_n \times R_n)}$
- Variants 02, 05: $\sqrt{(7.5P_n \times R_n)}$
- Variants 03, 06: $\sqrt{(6.7P_n \times R_n)}$
- Duration: 10ms

2.1.1.2 *Deviations from Screening Tests - Chart F3*

(a) Screening Sub-lot Samples Selection, Mounting and Testing

A quantity of 20 components shall be selected at random from the production lot and mounted in accordance with ESCC Generic Specification No. 4001 Para. 8.7. These mounted Screening Sub-lot samples shall be serialised and subjected to tests and inspections of Chart F3 in parallel with the 100% testing. For each test requiring electrical measurements the results shall be recorded against component serial number. These samples shall not form part of the delivery lot.

(b) Para. 8.1 Overload

Overload shall only be performed on the mounted Screening Sub-lot samples. Resistance shall be measured as specified in Para. 2.5.1 Room Temperature Electrical Measurements both before and after Overload. Change in Resistance shall be calculated, recorded against component serial number, and shall not exceed the limit as follows:

- Change in Resistance during Overload: $\pm 0.3\%$ max.

(c) Para. 8.2, Non-Linearity: Not applicable.

(d) Para. 8.3.2, Room Temperature Electrical Measurements

For the testing of the mounted Screening Sub-lot samples, Resistance shall be recorded against component serial number both before and after Burn-in. Change in Resistance shall be calculated, recorded against component serial number, and shall not exceed the limit as follows:

- Change in Resistance during Burn-in: $\pm 0.2\%$ max.

(e) Para. 8.4 Burn-in

For the 100% Testing during Chart F3, burn-in in accordance with Para. 2.7.1 No-Bias Burn-in of this specification shall be performed with a duration of 24 (+24, -0) hours.

For the testing of the mounted Screening Sub-lot samples, burn-in in accordance with Para. 2.7.2 Biased Burn-in of this specification shall be performed with a duration of 168 (+24 -0) hours.

(f) Para. 6.4 Check for Lot Failure

0 failures are allowed during all Chart F3 testing of the mounted Screening Sub-lot samples. In the event of any failure the lot shall be considered as failed.

2.1.1.3 *Deviations from Qualification and Periodic Tests - Chart F4*

- (a) Para. 8.3.1.2, Insulation Resistance: Not applicable.
- (b) Para. 8.11, Robustness of Terminations: Not applicable.

2.1.1.4 *Deviations from Data Documentation*

- (a) Para. 9.6, Screening Tests Data: For each test performed on the mounted Screening Sublot samples requiring electrical measurements, the results shall be recorded against component serial number. Component drift calculations shall be recorded for each specified test against component serial number.

2.2 MARKING

The marking of all components delivered to this specification shall be in accordance with the requirements of ESCC Basic Specification No. 21700. When the component is too small to accommodate all of the marking specified, as much as space permits shall be marked and the marking information, in full, shall accompany each component in its primary package.

The information to be marked and the order of precedence, shall be as follows:

- (a) The ESCC qualified components symbol (for ESCC qualified components only).
- (b) The ESCC Component Number.
- (c) Traceability information.

2.3 OVERLOAD

The test conditions for Overload, tested as specified in the ESCC Generic Specification, shall be as follows:

- Voltage: $\sqrt{(5P_n \times R_n)}$
- Duration: 5s.

2.4 RESISTANCE TO SOLDERING HEAT

The test conditions for Resistance to Soldering Heat, tested as specified in the ESCC Generic Specification, shall be as follows:

- Temperature: +260°C
- Duration: 5 (+0 -1)s

2.5 ELECTRICAL MEASUREMENTS AT ROOM, HIGH AND LOW TEMPERATURES

2.5.1 Room Temperature Electrical Measurements

The measurements shall be performed at $T_{amb} = +22 \pm 3^{\circ}C$.

Characteristics	Symbols	ESCC 4001 Test Method and Conditions	Tolerance (± %)	Limits		Units
				Min	Max	
Resistance	R _A	Para. 8.3.1.1	0.5	0.995 R _n	1.005 R _n	Ω
			1	0.99 R _n	1.01 R _n	

2.5.2 High and Low Temperatures Electrical Measurements

(a) For Variants 01, 02, 03 with $R_n \geq 10m\Omega$:

Characteristics	Symbols	ESCC 4001 Test Method and Conditions	Limits		Units
			Min	Max	
Resistance Change between -55 (+3 -0) ^o C and +22 ±3 ^o C	$\Delta R_A/R_A$	Para. 8.3.1.1, Note 1 TC = -100 x 10 ⁻⁶ / ^o C:	-0.8	+0	%
Resistance Change between +22 ±3 ^o C and +170 (+0 -3) ^o C	$\Delta R_A/R_A$	Para. 8.3.1.1, Note 1 TC = ±60 x 10 ⁻⁶ / ^o C:	-0.906	+0.906	%
Resistance change between +22 ±3 ^o C and +60 ±3 ^o C	$\Delta R_A/R_A$	Para. 8.3.1.1, Note 2 TC = ±50 x 10 ⁻⁶ / ^o C:	-0.22	+0.22	%

(b) For Variants 04, 05, 06 with $R_n < 10m\Omega$:

Characteristics	Symbols	ESCC 4001 Test Method and Conditions	Limits		Units
			Min	Max	
Resistance Change between -55 (+3 -0) ^o C and +22 ±3 ^o C	$\Delta R_A/R_A$	Para. 8.3.1.1, Note 1 TC = -140 x 10 ⁻⁶ / ^o C:	-1.12	+0	%
Resistance Change between +22 ±3 ^o C and +170 (+0 -3) ^o C	$\Delta R_A/R_A$	Para. 8.3.1.1, Note 1 TC = ±100 x 10 ⁻⁶ / ^o C:	-1.51	+1.51	%
Resistance change between +22 ±3 ^o C and +60 ±3 ^o C	$\Delta R_A/R_A$	Para. 8.3.1.1, Note 2 TC = ±100 x 10 ⁻⁶ / ^o C:	-0.44	+0.44	%

NOTES:

1. The measurements shall be performed on all the mounted Screening Sub-lot samples.
2. The measurements shall be performed on a sample of 5 components selected from the total production lot.

2.6 INTERMEDIATE AND END-POINT ELECTRICAL MEASUREMENTS

The components shall be mounted as specified in the ESCC Generic Specification.

Unless otherwise specified, the measurements shall be performed at $T_{amb} = +22 \pm 3^{\circ}C$.

Unless otherwise specified the test methods and test conditions shall be as per the corresponding test defined in Para. 2.5.1 Room Temperature Electrical Measurements.

Test Reference per ESCC No. 4001	Characteristics	Symbols	Limits		Units
			Min	Max	
Rapid Change of Temperature Initial Measurement	Resistance	R_A	Record Values		
Final Measurement	Change in Resistance	$\Delta R_A/R_A$	± 0.2		%
Vibration Initial Measurement	Resistance	R_A	Record Values		
Final Measurement	Change in Resistance	$\Delta R_A/R_A$	± 0.2		%
Resistance to Soldering Heat Initial Measurement	Resistance	R_A	Record Values		
Final Measurement	Change in Resistance	$\Delta R_A/R_A$	± 0.1		%
Solderability Initial Measurement	Resistance	R_A	Record Values		
Final Measurement	Change in Resistance	$\Delta R_A/R_A$	± 0.1		%
Climatic Sequence Initial Measurements (Procedure 1)	Resistance (after drying)	R_A	Record Values		
Final Measurements	Change in Resistance Insulation Resistance	$\Delta R_A/R_A$ -	± 0.3 Not applicable		% -
Operating Life Initial Measurement (0 hour)	Resistance	R_A	Record Values		
Intermediate Measurements (1000 hours)	Change in Resistance	$\Delta R_A/R_A$	± 0.2		%
Final Measurements (2000 hours)	Change in Resistance Insulation Resistance	$\Delta R_A/R_A$ -	± 0.2 Not applicable		% -

2.7 BURN-IN CONDITIONS

2.7.1 No-Bias Burn-in Conditions for 100% Testing

Characteristics	Symbols	Conditions (Note 1)	Units
Ambient Temperature	T _{amb}	+170 (+0 -5)	°C
Test Voltage	V _T	No Bias	V

NOTES:

1. No-Bias Burn-in (High Temperature Bake) shall be performed on components that are not mounted.
2. No-Bias Burn-in duration shall be 24 (+24 -0) hours.
3. After Burn-in, the components shall be removed from the chamber and allowed to cool under normal atmospheric conditions for a minimum of 1 hour. They shall then be visually examined. There shall be no evidence of damage and marking shall still be legible.

2.7.2 Biased Burn-in Conditions for Screening Sub-lot Samples

Characteristics	Symbols	Conditions (Note 1)	Units
Terminal Temperature Variants 01, 03, 04, 06: Variants 02, 05:	T _{term}	+130 (+0 -3) +120 (+0 -3)	°C
Test Voltage	V _T	$\sqrt{(P_n \times R_n)}$	V

NOTES:

1. Biased Burn-in shall be performed on the applicable sample components that are mounted in accordance with ESCC Generic Specification No. 4001 Para. 8.7.
2. Biased Burn-in duration shall be 168 (+24 -0) hours.
3. After Burn-in, the components shall be removed from the chamber and allowed to cool under normal atmospheric conditions for a minimum of 1 hour. They shall then be visually examined. There shall be no evidence of damage and marking shall still be legible.

2.8 OPERATING LIFE CONDITIONS

The conditions shall be as specified in Para. 2.7.2 for Biased Burn-in.

APPENDIX A
AGREED DEVIATIONS FOR ISABELLENHÜTTE (D)

Items Affected	Description of Deviations										
Para. 2.1.1.1 Deviations from Generic Specification: Production Control - Chart F2	Para. 5.2.1, Dimension Check: a 100% inspection may be performed.										
Para. 2.1.1.3 Deviations from Generic Specification: Qualification and Periodic Tests - Chart F4	Para. 8.3.1.3, Voltage Proof: Not applicable. Para. 8.10, Climatic Sequence: <ul style="list-style-type: none"> • Para. 8.10.5, Low Air Pressure: Not applicable • Para. 8.10.7, DC Load: Not applicable Para. 8.15, Permanence of Marking: Not applicable										
Para. 1.4.1.1 Characteristics Codes: Resistance Value	Resistance Value may be expressed by means of the following codes within the ESCC Component Number. The unit quantity shall be ohm (Ω): <table border="1" data-bbox="560 801 1091 1079" style="margin-left: 40px;"> <thead> <tr> <th>Resistance Value (Ω)</th> <th>Code</th> </tr> </thead> <tbody> <tr> <td>0.00XX</td> <td>R00XX</td> </tr> <tr> <td>0.0XX</td> <td>R0XX</td> </tr> <tr> <td>0.XXX</td> <td>RXXX</td> </tr> <tr> <td>X.XX</td> <td>XRXX</td> </tr> </tbody> </table>	Resistance Value (Ω)	Code	0.00XX	R00XX	0.0XX	R0XX	0.XXX	RXXX	X.XX	XRXX
Resistance Value (Ω)	Code										
0.00XX	R00XX										
0.0XX	R0XX										
0.XXX	RXXX										
X.XX	XRXX										
Para. 1.4.2 Component Type Variants and Range of Components	For all Variants additional resistance values, R_n , from within the specified Resistance Range, but outside of the specified Value Series, are available upon request from Isabellenhütte.										
Para. 2.2 Marking: Marking of Tolerance on Resistance Value	The tolerance on resistance value may be marked using the actual numeric value (0.5% or 1%) instead of the specified code letter.										
Para. 2.2 Marking: Marking of Traceability Information	The manufacturing date code may be marked using a three-digit code where: <ul style="list-style-type: none"> • the first digit is a letter to indicate the year of manufacture in accordance with the 20-year cycle code per Table 10a of IEC Publication No. 60062. • the last two digits indicate the week of the year (i.e. 01 to 52) during which encapsulation or the final production process occurred. For example: W41 for week 41 of 2008										