



Pages 1 to 18

**SWITCHES, THERMOSTATIC, BIMETALLIC,
SPST, OPENING CONTACT
ESCC Detail Specification No. 3702/001**

**ISSUE 2
January 2003**



Document Custodian: European Space Agency - see <https://escies.org>

	ESCC Detail Specification No. 3702/001		PAGE i ISSUE 2
---	---	--	-------------------


LEGAL DISCLAIMER AND COPYRIGHT

European Space Agency, Copyright © 2003. All rights reserved.

The European Space Agency disclaims any liability or responsibility, to any person or entity, with respect to any loss or damage caused, or alleged to be caused, directly or indirectly by the use and application of this ESCC publication.

This publication, without the prior permission of the European Space Agency and provided that it is not used for a commercial purpose, may be:

- copied in whole in any medium without alteration or modification.
- copied in part, in any medium, provided that the ESCC document identification, comprising the ESCC symbol, document number and document issue, is removed.

	<p>ESA/SCC Detail Specification No. 3702/001</p>		<p>PAGE 2 ISSUE 2</p>
--	--	--	---------------------------

DOCUMENTATION CHANGE NOTICE

(Refer to <https://escies.org> for ESCC DCR content)

DCR No.	CHANGE DESCRIPTION
3	Specification reissued to incorporate editorial changes per DCR.

TABLE OF CONTENTS

	<u>Page</u>
1. <u>GENERAL</u>	5
1.1 Scope	5
1.2 Type Variants and Range of Components	5
1.3 Maximum Ratings	5
1.4 Parameter Derating Information	5
1.5 Physical Dimensions	5
1.6 Functional Diagram	5
2. <u>APPLICABLE DOCUMENTS</u>	5
3. <u>TERMS, DEFINITIONS, ABBREVIATIONS, SYMBOLS AND UNITS</u>	5
4. <u>REQUIREMENTS</u>	11
4.1 General	11
4.2 Deviations from Generic Specification	11
4.2.1 Deviations from Special In-process Controls	11
4.2.2 Deviations from Final Production Tests	11
4.2.3 Deviations from Run-in and Electrical Measurements	11
4.2.4 Deviations from Qualification Tests	11
4.2.5 Deviations from Lot Acceptance Tests	11
4.3 Mechanical Requirements	11
4.3.1 Dimension Check	11
4.3.2 Weight	11
4.3.3 Robustness of Terminations	11
4.4 Materials and Finishes	12
4.4.1 Case	12
4.4.2 Terminals	12
4.5 Marking	12
4.5.1 General	12
4.5.2 Terminal Identification	12
4.5.3 The SCC Component Number	12
4.5.4 Temperature Characteristics	12
4.5.5 Traceability Information	13
4.6 Electrical Measurements	13
4.6.1 Electrical and Thermal Measurements	13
4.6.2 Electrical Measurements at High and Low Temperatures	13
4.7 Run-in	13
4.7.1 Measurements during Run-in	13
4.7.2 Conditions for Run-in	13
4.7.3 Electrical Circuits for Run-in	13
4.8 Environmental and Endurance Testing	16
4.8.1 Measurements and Inspections on Completion of Environmental Tests	16
4.8.2 Measurements and Inspections during Endurance Tests	16
4.8.3 Measurements and Inspections on Completion of Endurance Tests	16
4.8.4 Conditions for Operating Life Test	16
4.8.5 Electrical Circuits for Operating Life Test	16

TABLE OF CONTENTS

<u>TABLES</u>	<u>Page</u>
1(a) Type Variants and Range of Components	6
1(b) Maximum Ratings	7
2 Electrical and Thermal Measurements	14
3 Electrical Measurements at High and Low Temperatures	N/A
4 Parameter Drift Values	15
5(a) Conditions for Run-in	15
5(b) Conditions for Operating Life Test	15
6 Measurements and Inspections on Completion of Environmental Tests and at Intermediate Points and on Completion of Endurance Testing	17
<u>FIGURES</u>	
1 Parameter Derating Information	7
2 Physical Dimensions	8
3 Functional Diagram	10
<u>APPENDICES (Applicable to specific Manufacturers only)</u>	
'A' Agreed Deviations for Comepa (F)	18



1. **GENERAL**

1.1 **SCOPE**

This specification details the ratings, physical and electrical characteristics, test and inspection data for Switches, Thermostatic, Bimetallic, 4A, 30V, SPST, Opening Contact. It shall be read in conjunction with ESCC Generic Specification No. 3702 the requirements of which are supplemented herein.

1.2 **TYPE VARIANTS AND RANGE OF COMPONENTS**

Variants of the basic type switches specified herein, which are also covered by this specification are given in Table 1(a).

1.3 **MAXIMUM RATINGS**

The maximum ratings, which shall not be exceeded at any time during use or storage, applicable to the switches specified herein, are as scheduled in Table 1(b).

1.4 **PARAMETER DERATING INFORMATION**

The current rating versus voltage shall be as shown in Figure 1.

1.5 **PHYSICAL DIMENSIONS**

The physical dimensions of the switches specified herein are shown in Figure 2.

1.6 **FUNCTIONAL DIAGRAM**

The functional diagram for the switches specified herein, is shown in Figure 3.

2. **APPLICABLE DOCUMENTS**

The following documents form part of this specification and shall be read in conjunction with it:-

(a) ESCC Generic Specification No. 3702 , Switches, Thermostatic, Bimetallic, Hermetically Sealed.

3. **TERMS, DEFINITIONS, ABBREVIATIONS, SYMBOLS AND UNITS**

For the purpose of this specification, the terms, definitions, abbreviations, symbols and units specified in ESCC Basic Specification No. 21300 and IEC Publication 389-1, Thermostatic Switches Part 1, shall apply.

TABLE 1(a) - TYPE VARIANTS AND RANGE OF COMPONENTS

TYPE VARIANTS

VARIANT	MECHANICAL DIFFERENCES	FIGURE
01	Without mounting appliance	2(a)
02	Mounting with 2 hole flange	2(b)
03	Mounting with threaded stud (5.0mm)	2(c)
04	Mounting with threaded stud (10mm)	2(d)
05	Mounting with 1 open-hole flange	2(e)
06	Mounting with 2 open-hole flange	2(f)

RANGE OF COMPONENTS (See Note)

GRADE1

TNf Setting Range (°C)	Tolerance on TNf, TNr (°C)	Nominal Differential Range TNf - TNr (°C)	Effective Differential Limits Tf - Tr (°C)	
			Min.	Max.
- 50 to - 36	± 5.0	10	8.0	18
- 35 to + 79	± 3.0	10	7.0	12
		9.0	6.4	11.2
		8.0	5.8	10.4
		7.0	5.2	9.6
		6.0	4.6	8.8
+ 80 to + 150	± 5.0	5.0	4.0	8.0
		15	10	19

GRADE Y

TNf Setting Range (°C)	Tolerance on TNf, TNr (°C)	Nominal Differential Range TNf - TNr (°C)
- 50 to - 36	± 5.0	10
- 35 to + 79	± 3.0	5.0
+ 80 to + 150	± 5.0	15

GRADE Z

TNf Setting Range (°C)	Nominal Differential Range TNf - TNr (°C)	Effective Differential Limits Tf - Tr Min. (°C)
- 50 to + 150	15	3.5

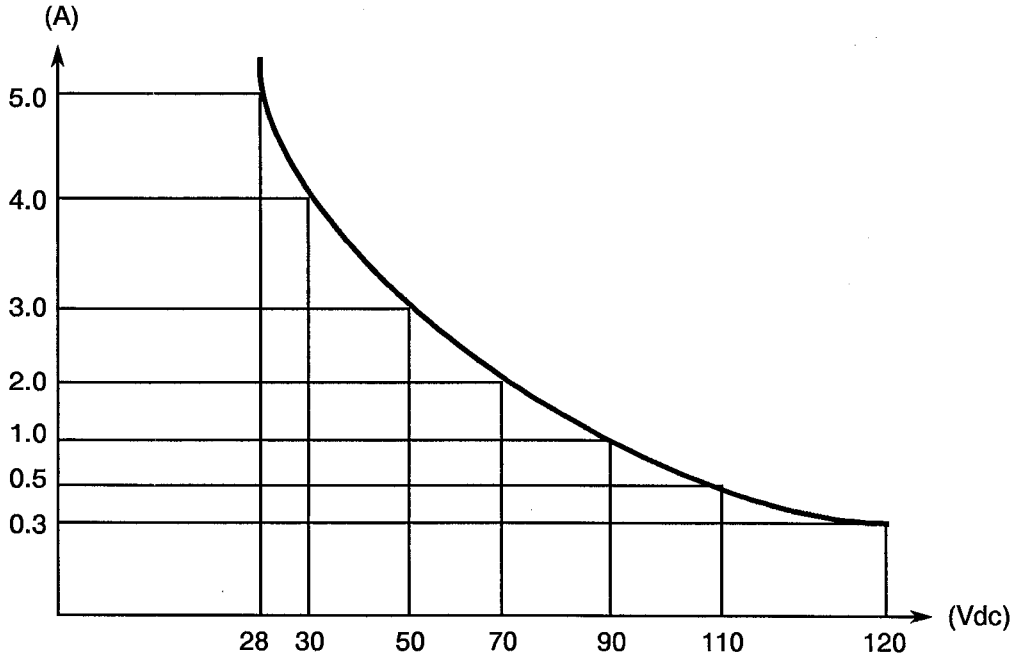
NOTE: The following definitions apply:

- TNf : Nominal Operating Temperature - Opening Contact
- TNr : Nominal Restoring Temperature - Closing Contact
- Tf : Actual Operating Temperature - Opening Contact
- Tr : Actual Operating Temperature - Closing Contact

TABLE 1(b) - MAXIMUM RATINGS

NO.	CHARACTERISTICS	SYMBOL	MAXIMUM RATINGS	UNITS	REMARKS
1	Rated Current d.c.	I_R	4.0	A	30Vdc resistive
2	Overload Current d.c.	I_{overl}	6.0	A	30Vdc resistive
3	Operating Temperature Range	T_{op}	- 50 to + 150	°C	
4	Storage Temperature Range	T_{stg}	- 65 to + 175	°C	

FIGURE 1 - PARAMETER DERATING INFORMATION



Current versus Voltage

FIGURE 2 - PHYSICAL DIMENSIONS

FIGURE 2(a) - VARIANT 01

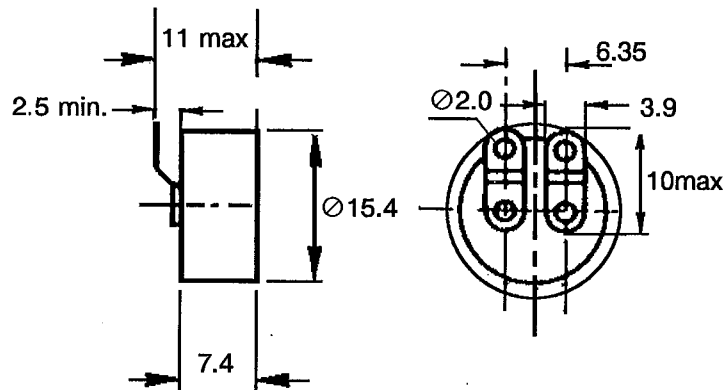
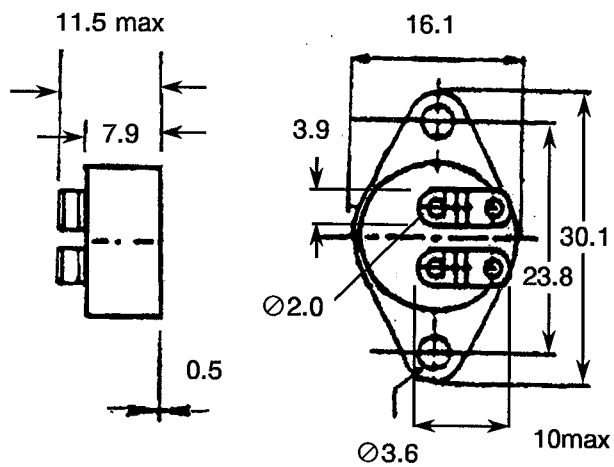


FIGURE 2(b) - VARIANT 02



NOTES

1. All dimensions are in millimetres.
2. Tolerance $\pm 0.1\text{mm}$, unless otherwise specified.

FIGURE 2 - PHYSICAL DIMENSIONS (CONTINUED)

FIGURE 2(c) - VARIANT 03

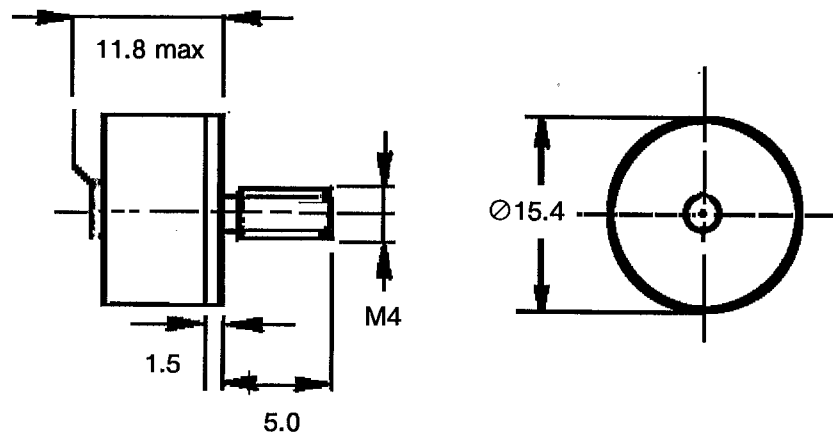
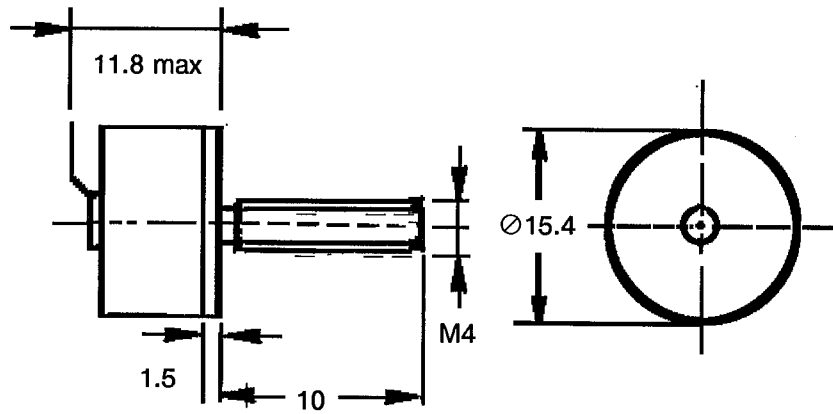


FIGURE 2(d) - VARIANT 04



NOTES

1. All dimensions are in millimetres.
2. Tolerance $\pm 0.1\text{mm}$, unless otherwise specified.

FIGURE 2 - PHYSICAL DIMENSIONS (CONTINUED)

FIGURE 2(e) - VARIANT 05

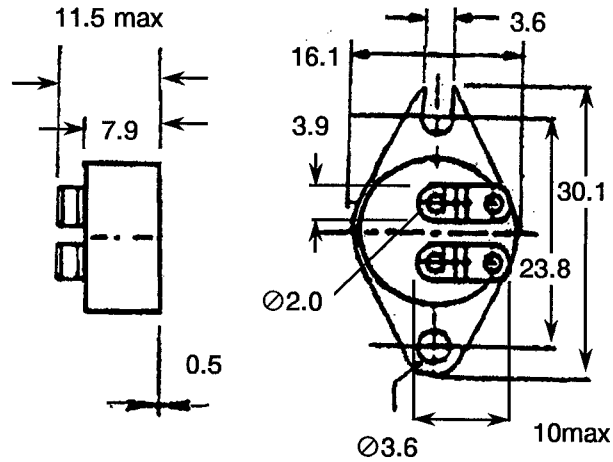
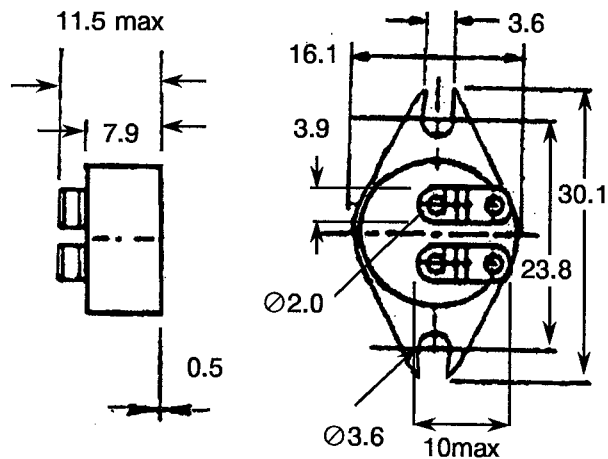


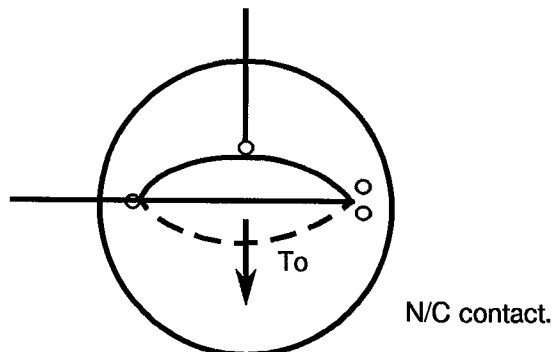
FIGURE 2(f) - VARIANT 06



NOTES

1. All dimensions are in millimetres.
2. Tolerance $\pm 0.1\text{mm}$, unless otherwise specified.

FIGURE 3 - FUNCTIONAL DIAGRAM





4. REQUIREMENTS

4.1 GENERAL

The complete requirements for procurement of the switches specified herein are stated in this specification and ESCC Generic Specification No. 3702 for Thermostatic Switches. Deviations from the Generic Specification, applicable to this specification only, are listed in Para. 4.2.

Deviations from the applicable Generic Specification and this Detail Specification, formally agreed with specific Manufacturers on the basis that the alternative requirements are equivalent to the ESCC requirements and do not affect the component's reliability, are listed in the Appendices attached to this specification.

4.2 DEVIATIONS FROM GENERIC SPECIFICATION

4.2.1 Deviations from Special In-process Controls

None.

4.2.2 Deviations from Final Production Tests (Chart II)

(a) Para. 9.2, Seal Test: See Table 6, No. 1 for value.

4.2.3 Deviations from Run-in and Electrical Measurements (Chart III)

(a) Para. 9.2, Seal Test: See Table 6, No. 1 for value.

4.2.4 Deviations from Qualification Tests (Chart IV)

(a) Para 9.12, Robustness of Terminations: Tests 'Ub' and 'Ud' are not applicable.

(b) Para. 9.18, Solderability: Soldering Iron Size B for Method 2.

4.2.5 Deviations from Lot Acceptance Tests (Chart V)

(a) Para 9.12, Robustness of Terminations: Test 'Ub' and 'Ud' are not applicable.

(b) Para. 9.18, Solderability: Soldering Iron Size B for Method 2.

4.3 MECHANICAL REQUIREMENTS

4.3.1 Dimension Check

The dimensions of the switches specified herein shall be verified in accordance with the requirements set out in Paragraph 9.4 of ESCC Specification No. 3702 and shall conform to those shown in Figure 2.

4.3.2 Weight

The maximum weight of the switches specified herein shall be 7.5 grammes for Variants 01, 02, 05 and 06, 8.0 grammes for Variants 03 and 04.

4.3.3 Robustness of Termination

The requirements for robustness of termination testing are specified in Section 9 of ESCC Generic Specification No. 3702. The test conditions shall be as follows:-

(a) Test Ua1: "Tensile", applied in the axis of the terminals, Force : 20N

4.4. MATERIALS AND FINISHES

The materials and finishes shall be as specified herein. Where a definite material is not specified, a material which will enable the switches specified herein to meet the performance requirements of this specification shall be used. Acceptance or approval of any constituent material does not guarantee acceptance of the finished product.

4.4.1 Case

Nickel-iron alloy, with electroless nickel plating, welded construction. Neither electro-deposited tin nor any paint shall be used.

4.4.2 Terminals

The terminal material shall be Type 'D' with Type '3' finish in accordance with the requirements of ESCC Basic Specification No. 23500.

4.5 MARKING

4.5.1 General

The marking of all components delivered to this specification shall be in accordance with with the requirements of ESCC Basic Specification No. 21700 and the following paragraphs. When the component is too small to accommodate all of the marking specified, as much as space permits shall be marked and the marking information, in full, shall accompany the component in its primary package.

The information to be marked and the order of precedence, shall be as follows:-

- (a) The SCC Component Number.
- (b) Temperature Characteristics.
- (c) Traceability Information.

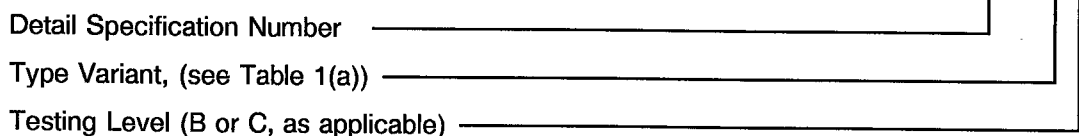
4.5.2 Terminal Identification

Not applicable.

4.5.3 The SCC Component Number

The SCC Component Number shall be constituted and marked as follows:

370200101B



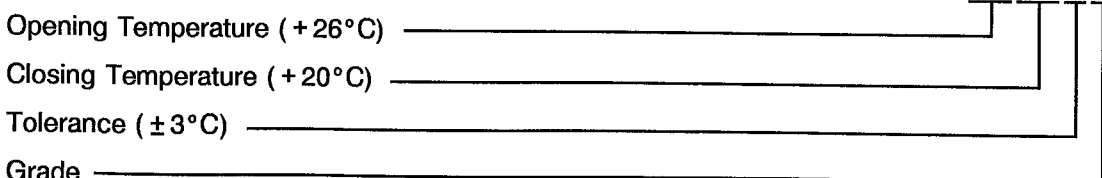
4.5.4 Temperature Characteristics

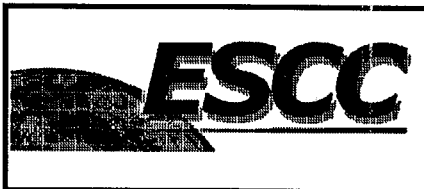
The temperature characteristics and ratings to be marked in the following order of precedence are:-

- (a) Opening Temperature (TNf).
- (b) Closing Temperature (TNr).
- (c) Tolerance.
- (d) Grade.

The information shall be constituted and marked as follows:-

026 020 H Z





4.5.4.1 Temperatures

The opening and closing temperatures shall be written in clear and each temperature shall be comprised of 3 digits.

For negative temperatures the first digit shall be "6".

4.5.4.2 Tolerance

The tolerance on nominal operating temperatures shall be indicated by the code letters specified hereafter.

TOLERANCE (± °C)	CODE LETTER
3.0	H
5.0	J
None	X

4.5.4.3 Grade

The grade of thermostat characteristics shall be indicated by the code letters specified hereafter.

GRADE	CODE LETTER
1	None
Y	Y
Z	Z

4.5.5 Traceability Information

Each component shall be marked in respect of traceability information in accordance with the requirements of ESCC Basic Specification No. 21700.

4.6 ELECTRICAL MEASUREMENTS

4.6.1 Electrical and Thermal Measurements

The parameters to be measured are scheduled in Table 2.

4.6.2 Electrical Measurements at High and Low Temperatures

Not applicable.

4.7 RUN-IN

4.7.1 Measurements During Run-in

Not applicable.

4.7.2 Conditions for Run-in

The requirements for run-in are specified in Section 7 of the ESCC Generic Specification No. 3702. The conditions for run-in shall be as specified in Table 5(a) of this specification.

4.7.3 Electrical Circuits for Run-in

Not applicable.

TABLE 2 - ELECTRICAL AND THERMAL MEASUREMENTS

No	CHARACTERISTICS	SYMBOL	ESCC 3702 TEST METHOD	TEST CONDITION	LIMITS		UNIT
					MIN	MAX	
1	Voltage Proof at $T \geq T_2$ (1)	V	Para.9.5.1.1	Between contacts and ground	1000	-	Vrms
				Between open contacts	100	-	Vrms
2	Insulation Resistance at $T \geq T_2$ (1)	Ri	Para.9.5.1.2	Test Voltage 100Vdc	500	-	MΩ
				Between contacts and ground Between open contacts	500		MΩ
3	Contact Resistance at $T \leq T_3$ (1)	Rc	Para.9.5.1.3		-	50	mΩ
4	Operating Temperature (Opening Contact)	Tf	Para. 9.5.1.4	Para. 9.5.1.4 (Note 2)	See Table 1(a)		°C
5	Restoring Temperature (Closing Contact)	Tr	Para. 9.5.1.4	Para. 9.5.1.4 (Note 2)	See Table 1(a)		°C
6	Tf - Tr	-	-	-			°C

NOTES

1. T1, T2, T3, T4 as defined in ESCC Generic Specification No. 3702, Para. 9.5.1.
2. Temperature gradient for measurements : $\frac{1}{3}$ °C/minute minimum.
: 1.0°C/minute maximum.

TABLE 3 - ELECTRICAL MEASUREMENTS AT HIGH AND LOW TEMPERATURES

Not applicable.

TABLE 4 - PARAMETER DRIFT VALUES

No	CHARACTERISTICS	SYMBOL	SPEC AND/OR TEST METHOD	TEST CONDITIONS	CHANGE LIMITS (Δ)	UNIT
4	Operating Temperature (Opening Contact)	Tf	As per Table 2	As per Table 2	± 1.0	$^{\circ}\text{C}$
5	Restoring Temperature (Closing Contact)	Tr	As per Table 2	As per Table 2	± 1.0	$^{\circ}\text{C}$

TABLE 5(a) - CONDITIONS FOR RUN-IN


No	CHARACTERISTICS	SYMBOL	ESCC 3702 TEST METHOD	TEST CONDITIONS	UNIT
1	Temperature	T	Para 9.7	$T_3 \rightarrow T_2$ $T_2 \rightarrow T_3$ (1)	$^{\circ}\text{C}$

NOTES

1. T2 and T3 as defined in ESCC Generic Specification No. 3702, Para. 9.5.1.

TABLE 5(b) - CONDITIONS FOR OPERATING LIFE TEST

No	CHARACTERISTICS	SYMBOL	CONDITIONS	UNIT
1	Temperature	T	$T_2 \leq T \leq T_{Nf} + 30$	$^{\circ}\text{C}$
2	Temperature	T	$T_{Nr} - 30 \leq T \leq T_3$	$^{\circ}\text{C}$
3	Contact Load Resistive	V I	30 4.0	V A

	<p style="text-align: center;">ESCC Detail Specification No. 3702/001</p>	<p style="text-align: right;">PAGE 16 ISSUE 2</p>
--	---	---

4.8 ENVIRONMENTAL AND ENDURANCE TESTING (Charts IV and V of ESCC Generic Specification No. 3702)

4.8.1 Measurements and Inspections on Completion of Environmental Tests

The parameters to be measured and inspections to be performed on completion of environmental tests are scheduled in Table 6.

4.8.2 Measurements and Inspections during Endurance Tests

The parameters to be measured and inspections to be performed during endurance tests are scheduled in Table 6. The measurements shall be performed at the applicable test temperature.

4.8.3 Measurements and Inspections on Completion of Endurance Tests

The parameters to be measured and inspections to be performed on completion of the endurance tests are scheduled in Table 6.

4.8.4 Conditions for Operating Life Test (Part of Endurance Testing)

The requirements for operating life testing are specified in Section 9 of ESCC Generic Specification No. 3702. The conditions for operating life testing shall be as specified in Table 5(b) of this specification.

4.8.5 Electrical Circuits for Operating Life Testing

Not applicable.



TABLE 6 - MEASUREMENTS AND INSPECTIONS ON COMPLETION OF ENVIRONMENTAL TESTS AND AT INTERMEDIATE POINTS AND ON COMPLETION OF ENDURANCE TESTING

No	ESCC GEN.SPEC.NO. 3702		MEASUREMENTS AND INSPECTIONS		SYMBOL	LIMITS		UNIT
	ENVIRONMENTAL AND ENDURANCE TESTS (1)	TEST METHOD AND CONDITIONS	IDENTIFICATION	CONDITIONS		MIN	MAX	
01	Seal Test	Para 9.2	Seal Test	Fine leak Gross leak	- -	- 1.10-8 No Bubbles	atm/cc/s	
02	External Visual Inspection	Para 9.3	External Visual Inspection	-	-	-		
03	Creepage	Para 9.6	Creepage	Para. 9.6	-	No Creepage		
04	Response Time	Para 9.8	Response Time	Para. 9.8	trp	- 20	s	
05	Rapid Change of Temperature	Para 9.9	Last cycle: Electrical Measurements Visual Examination	Table 2 Items 1, 2, 3 -	- -	Table 2 Items 1, 2, 3 -		
06	Vibration	Para 9.10	Visual Examination	-	-	-		
07	Shock	Para 9.11	Visual Examination Electrical Measurements Thermal Measurements	- Table 2 Items 1, 2, 3 Table 2 Items 4, 5	- $\Delta T_f/\Delta T_r$	- Table 2 Items 1, 2, 3 -2.7 +2.7	 °C	
08	Robustness of Terminations	Para 9.12 and Paras. 4.2.4 and 4.2.5 of this spec	Visual Examination	-	-	-		
09	Permanence of Marking	Para 9.13	Visual Examination	-	-	-		
10	Resistance to Soldering Heat	Para 9.14	Visual Examination Thermal Measurements	- Table 2 Items 4, 5	- $\Delta T_f/\Delta T_r$	- -1.7 +1.7	 °C	
11	Damp Heat (Steady State)	Para 9.15		-	-	-		
12	Overload	Para 9.16 Res.6A & 30Vdc	Electrical Measurements Thermal Measurements External Visual Inspection	Table 2 Item 3 Table 2 Items 4, 5 Para 9.2 of Gen 3702	- $\Delta T_f/\Delta T_r$ -	Table 2 Item 3 -1.7 +1.7 -	 °C	
13	Operating Life Resistive	Para 9.17 Table 5(b) of this spec.	Electrical Measurements Thermal Measurements Visual Examination	Table 2 Items 1,2 Table 2 Item 3 Table 2 Items 4, 5 -	- $\Delta T_f/\Delta T_r$ -	Table 2 Items 1, 2 - 100 -1.7 +1.7 -	 mΩ °C	
14	Solderability	Para 9.18 and Paras. 4.2.4 and 4.2.5 of this spec	Visual Examination	-	-	-		
15	High Temperature Storage	Para 9.19 Zero dissipation	Electrical Measurements Thermal Measurements	After < 96 hours recovery Table 2 Items 1,2,3 Table 2 Items 4, 5	- $\Delta T_f/\Delta T_r$	Table 2 Items 1, 2, 3 -1.7 +1.7	 °C	
16	Low Temperature Storage	Para 9.20 Not used						
17	Salt Mist	Para 9.21	Visual Examination	-	-	-		
18	Electrical and Thermal Measurements	Para 9.5.4	Electrical Measurements Thermal Measurements	Table 2 Items 1, 2, 3 Table 2 Items 4, 5, 6	- -	Table 2 Items 1, 2, 3, Table 2 Items 4, 5, 6		

NOTES 1. The tests in this Table refer to either Chart IV or V and shall be used as applicable.



APPENDIX 'A'

AGREED DEVIATIONS FOR COMEPA (F)

ITEMS AFFECTED	DESCRIPTION OF DEVIATIONS
Deviations from Generic Specification - Run-in and Electrical Measurements (Chart III) - Lot Acceptance Tests (Chart V)	Para. 9.6 - Creepage The manufacturer may use his own creepage detection instrument for this test according to his specification POT4711 with Creepage Limit: 5ms max.
Deviations from Detail Specification - Table 6	