



**DIODES, MICROWAVE, SILICON,
MULTIPLIER VARACTOR
BASED ON TYPES ML4402, ML4404 THRU ML4409
AND ML40721
ESCC Detail Specification No. 5512/001**

Issue 2	March 2013
---------	------------



LEGAL DISCLAIMER AND COPYRIGHT

European Space Agency, Copyright © 2013. All rights reserved.

The European Space Agency disclaims any liability or responsibility, to any person or entity, with respect to any loss or damage caused, or alleged to be caused, directly by the use and application of this ESCC publication.

This publication, without prior permission of the European Space Agency and provided it is not used for a commercial purpose, may be:

- copied in whole, in any medium, without alteration or modification.
- copied in part, in any medium, provided that the ESCC document identification, comprising the ESCC symbol, document number and document issue, is removed.

DOCUMENTATION CHANGE NOTICE

(Refer to <https://escies.org> for ESCC DCR content)

DCR No.	CHANGE DESCRIPTION
772	Specification upissued to incorporate editorial changes per DCR.

TABLE OF CONTENTS

1	GENERAL	6
1.1	SCOPE	6
1.2	TYPE VARIANTS	6
1.3	MAXIMUM RATINGS	6
1.4	PARAMETER DERATING INFORMATION	6
1.5	PHYSICAL DIMENSIONS	6
1.6	FUNCTIONAL DIAGRAM	6
1.7	HANDLING PRECAUTIONS	6
2	APPLICABLE DOCUMENTS	6
3	TERMS, DEFINITIONS, ABBREVIATIONS, SYMBOLS AND UNITS	6
4	REQUIREMENTS	28
4.1	GENERAL	28
4.2	DEVIATIONS FROM GENERIC SPECIFICATION	28
4.2.1	Deviations from Special In-process Controls	28
4.2.2	Deviations from Final Production Tests (Chart II)	28
4.2.3	Deviations from Burn-in and Electrical Measurements (Chart III)	28
4.2.4	Deviations from Qualification Tests (Chart IV)	28
4.2.5	Deviations from Lot Acceptance Tests (Chart V)	28
4.3	MECHANICAL AND ENVIRONMENTAL REQUIREMENTS	28
4.3.1	Dimension Check	28
4.3.2	Weight	29
4.3.3	Terminal Strength	29
4.4	MATERIALS AND FINISHES	30
4.4.1	Case	30
4.4.2	Lead Materials and Finish	30
4.5	MARKING	30
4.5.1	General	30
4.5.2	The Cathode Identification	30
4.5.3	The ESCC Component Number	30
4.5.4	Traceability Information	31
4.6	ELECTRICAL MEASUREMENTS	31
4.6.1	Electrical Measurements at Room Temperature	31
4.6.2	Electrical Measurements at High and Low Temperatures	31
4.6.3	Circuits for Electrical Measurements	31



4.7	BURN-IN TESTS	31
4.7.1	Parameter Drift Values	31
4.7.2	Conditions for High Temperature Reverse Bias Burn-in	31
4.7.3	Conditions for Power Burn-in	31
4.7.4	Electrical Circuits for High Temperature Reverse Bias and Power Burn-in	32
4.8	ENVIRONMENTAL AND ENDURANCE TESTS (CHARTS IV AND V OF ESCC GENERIC SPECIFICATION NO. 5010)	35
4.8.1	Electrical Measurements on Completion of Environmental Tests	35
4.8.2	Electrical Measurements at Intermediate Points and on Completion of Endurance Tests	35
4.8.3	Conditions for Operating Life Tests (Part of Endurance Testing)	35
4.8.4	Electrical Circuits for Operating Life Tests	35
4.9	TOTAL DOSE IRRADIATION TESTING	36
4.9.1	Application	36
4.9.2	Bias Conditions	36
4.9.3	Electrical Measurements	36
4.10	SPECIAL TESTING	36

1 GENERAL

1.1 SCOPE

This specification details the ratings, physical and electrical characteristics, test and inspection data for a Diode, Microwave, Silicon, Multiplier Varactor, based on Types ML4402, ML4404 thru ML4409 and ML40721. It shall be read in conjunction with ESCC Generic Specification No. 5010, the requirements of which are supplemented herein.

1.2 TYPE VARIANTS

Variants of the basic diodes specified herein, which are also covered by this specification are given in Table 1(a).

1.3 MAXIMUM RATINGS

The maximum ratings, which shall not be exceeded at any time during use or storage, applicable to the diodes specified herein, are as scheduled in Table 1(b).

1.4 PARAMETER DERATING INFORMATION

The derating information applicable to the diodes specified herein is shown in Figure 1.

1.5 PHYSICAL DIMENSIONS

The physical dimensions of the diodes specified herein are shown in Figure 2.

1.6 FUNCTIONAL DIAGRAM

The functional diagram, showing lead identification, of the diodes specified herein, is shown in Figure 3.

1.7 HANDLING PRECAUTIONS

These devices are susceptible to damage by electrostatic discharge. Therefore, suitable precautions shall be employed for protection during all phases of manufacture, testing, packaging, shipment and any handling.

These components are Categorised as Class 2 with a Minimum Critical Path Failure Voltage of 3000V.

2 APPLICABLE DOCUMENTS

The following documents form part of this specification and shall be read in conjunction with it:

- (a) ESCC Generic Specification No. 5010 for Discrete Microwave Semiconductor Components.

3 TERMS, DEFINITIONS, ABBREVIATIONS, SYMBOLS AND UNITS

For the purpose of this specification, the terms, definitions, abbreviations, symbols and units specified in ESCC Basic Specification No. 21300 shall apply.

TABLE 1(a) - TYPE VARIANTS

(1) Variant	(2) Based On Type	(3) Figure	(4) Total Capacitance C_T (pF)		(5) Junction Capacitance C_J (pF)		(6) Body-Lid And Lead Material And Finish
			Min	Max	Min	Max	
01	ML4402 - 30	2(a)	0.4	0.65	0.2	0.45	A7-D2
02	ML4402 - 31	2(b)	0.4	0.65	0.2	0.45	A7-D2
03	ML4402 - 32	2(c)	0.51	0.76	0.2	0.45	A7-D2
04	ML4402 - 34	2(d)	0.6	0.85	0.2	0.45	A7-D2
05	ML4402 - 43	2(e)	1	1.25	0.2	0.45	A7-D2
06	ML4402 - 56	2(f)	0.73	0.98	0.2	0.45	A7-D2
07	ML4402 - 91	2(g)	0.51	0.76	0.2	0.45	A7-D2
08	ML4402 - 92	2(h)	0.51	0.76	0.2	0.45	A7-D2
09	ML4402 - 96	2(i)	0.38	0.63	0.2	0.45	A7-D2
10	ML4402 - 97	2(j)	0.38	0.63	0.2	0.45	A7-D2
11	ML4402 - 111	2(k)	0.51	0.76	0.2	0.45	A7-D2
12	ML4402 - 120	2(l)	0.36	0.61	0.2	0.45	D2
13	ML4402 - 148	2(m)	0.31	0.56	0.2	0.45	A7
14	ML4402 - 144B	2(n)	0.74	0.99	0.2	0.45	D2
15	ML4402 - 186	2(o)	0.35	0.6	0.2	0.45	D2
16	ML4404 - 30	2(a)	0.4	0.65	0.2	0.45	A7-D2
17	ML4404 - 31	2(b)	0.4	0.65	0.2	0.45	A7-D2
18	ML4404 - 32	2(c)	0.51	0.76	0.2	0.45	A7-D2
19	ML4404 - 34	2(d)	0.6	0.85	0.2	0.45	A7-D2
20	ML4404 - 43	2(e)	1	1.25	0.2	0.45	A7-D2
21	ML4404 - 56	2(f)	0.73	0.98	0.2	0.45	A7-D2
22	ML4404 - 91	2(g)	0.51	0.76	0.2	0.45	A7-D2
23	ML4404 - 92	2(h)	0.51	0.76	0.2	0.45	A7-D2
24	ML4404 - 96	2(i)	0.38	0.63	0.2	0.45	A7,D2
25	ML4404 - 97	2(j)	0.38	0.63	0.2	0.45	A7-D2
26	ML4404 - 111	2(k)	0.51	0.76	0.2	0.45	A7-D2
27	ML4404 - 120	2(l)	0.36	0.61	0.2	0.45	D2
28	ML4404 - 148	2(m)	0.31	0.56	0.2	0.45	A7
29	ML4404 - 144B	2(n)	0.74	0.99	0.2	0.45	D2
30	ML4404 - 186	2(o)	0.35	0.6	0.2	0.45	D2
31	ML4405 - 30	2(a)	0.6	1	0.4	0.8	A7-D2
32	ML4405 - 31	2(b)	0.6	1	0.4	0.8	A7-D2
33	ML4405 - 32	2(c)	0.71	1.11	0.4	0.8	A7-D2
34	ML4405 - 34	2(d)	0.8	1.2	0.4	0.8	A7-D2
35	ML4405 - 43	2(e)	1.2	1.6	0.4	0.8	A7-D2
36	ML4405 - 56	2(f)	0.93	1.33	0.4	0.8	A7-D2
37	ML4405 - 91	2(g)	0.71	1.11	0.4	0.8	A7-D2

(1) Variant	(2) Based On Type	(3) Figure	(4) Total Capacitance C_T (pF)		(5) Junction Capacitance C_J (pF)		(6) Body-Lid And Lead Material And Finish
			Min	Max	Min	Max	
38	ML4405 - 92	2(h)	0.71	1.11	0.4	0.8	A7-D2
39	ML4405 - 96	2(i)	0.58	0.98	0.4	0.8	A7-D2
40	ML4405 - 97	2(j)	0.58	0.98	0.4	0.8	A7-D2
41	ML4405 - 111	2(k)	0.71	1.11	0.4	0.8	A7-D2
42	ML4405 - 120	2(l)	0.56	0.96	0.4	0.8	D2
43	ML4405 - 148	2(m)	0.69	1.09	0.4	0.8	A7
44	ML4405 - 144B	2(n)	0.94	1.34	0.4	0.8	D2
45	ML4405 - 186	2(o)	0.55	0.95	0.4	0.8	D2
46	ML4406 - 30	2(a)	0.9	1.4	0.7	1.2	A7-D2
47	ML4406 - 31	2(b)	0.9	1.4	0.7	1.2	A7-D2
48	ML4406 - 32	2(c)	1.01	1.51	0.7	1.2	A7-D2
49	ML4406 - 34	2(d)	1.1	1.6	0.7	1.2	A7-D2
50	ML4406 - 43	2(e)	1.5	2	0.7	1.2	A7-D2
51	ML4406 - 56	2(f)	1.23	1.73	0.7	1.2	A7-D2
52	ML4406 - 91	2(g)	1.01	1.51	0.7	1.2	A7-D2
53	ML4406 - 92	2(h)	1.01	1.51	0.7	1.2	A7-D2
54	ML4406 - 96	2(i)	0.88	1.38	0.7	1.2	A7-D2
55	ML4406 - 97	2(j)	0.88	1.38	0.7	1.2	A7-D2
56	ML4406 - 111	2(k)	1.01	1.51	0.7	1.2	A7-D2
57	ML4406 - 120	2(l)	0.86	1.36	0.7	1.2	D2
58	ML4406 - 148	2(m)	0.99	1.49	0.7	1.2	A7
59	ML4406 - 144B	2(n)	1.24	1.74	0.7	1.2	D2
60	ML4406 - 186	2(o)	0.85	1.35	0.7	1.2	D2
61	ML4407 - 30	2(a)	1.2	2.7	1	2.5	A7-D2
62	ML4407 - 31	2(b)	1.2	2.7	1	2.5	A7-D2
63	ML4407 - 32	2(c)	1.31	2.81	1	2.5	A7-D2
64	ML4407 - 34	2(d)	1.4	2.9	1	2.5	A7-D2
65	ML4407 - 43	2(e)	1.8	3.3	1	2.5	A7-D2
66	ML4407 - 56	2(f)	1.53	3.03	1	2.5	A7-D2
67	ML4407 - 91	2(g)	1.31	2.81	1	2.5	A7-D2
68	ML4407 - 92	2(h)	1.31	2.81	1	2.5	A7-D2
69	ML4407 - 96	2(i)	1.18	2.68	1	2.5	A7-D2
70	ML4407 - 97	2(j)	1.18	2.68	1	2.5	A7-D2
71	ML4407 - 111	2(k)	1.31	2.81	1	2.5	A7-D2
72	ML4407 - 120	2(l)	1.16	2.66	1	2.5	D2
73	ML4407 - 148	2(m)	1.29	2.79	1	2.5	A7
74	ML4407 - 144B	2(n)	1.54	3.04	1	2.5	D2
75	ML4407 - 186	2(o)	1.15	2.65	1	2.5	D2

(1) Variant	(2) Based On Type	(3) Figure	(4) Total Capacitance C_T (pF)		(5) Junction Capacitance C_J (pF)		(6) Body-Lid And Lead Material And Finish
			Min	Max	Min	Max	
76	ML4408 - 30	2(a)	2.2	4.2	2	4	A7-D2
77	ML4408 - 31	2(b)	2.2	4.2	2	4	A7-D2
78	ML4408 - 32	2(c)	2.31	4.31	2	4	A7-D2
79	ML4408 - 34	2(d)	2.4	4.4	2	4	A7-D2
80	ML4408 - 43	2(e)	2.8	4.8	2	4	A7-D2
81	ML4408 - 56	2(f)	2.53	4.53	2	4	A7-D2
82	ML4408 - 91	2(g)	2.31	4.31	2	4	A7-D2
83	ML4408 - 92	2(h)	2.31	4.31	2	4	A7-D2
84	ML4408 - 111	2(k)	2.31	4.31	2	4	A7-D2
85	ML4408 - 148	2(m)	2.29	4.29	2	4	A7
86	ML4408 - 144B	2(n)	2.54	4.54	2	4	D2
87	ML4409 - 34	2(d)	3.9	8.4	3.5	8	A7-D2
88	ML4409 - 43	2(e)	4.3	8.8	3.5	8	A7-D2
89	ML4409 - 56	2(f)	4.03	8.53	3.5	8	A7-D2
90	ML4409 - 101	2(p)	4	8.5	3.5	8	A7-D2
91	ML4409 - 144B	2(n)	4.04	8.54	3.5	8	D2
92	ML40721 - 186	2(o)	1.15	2.65	1	2.5	D2

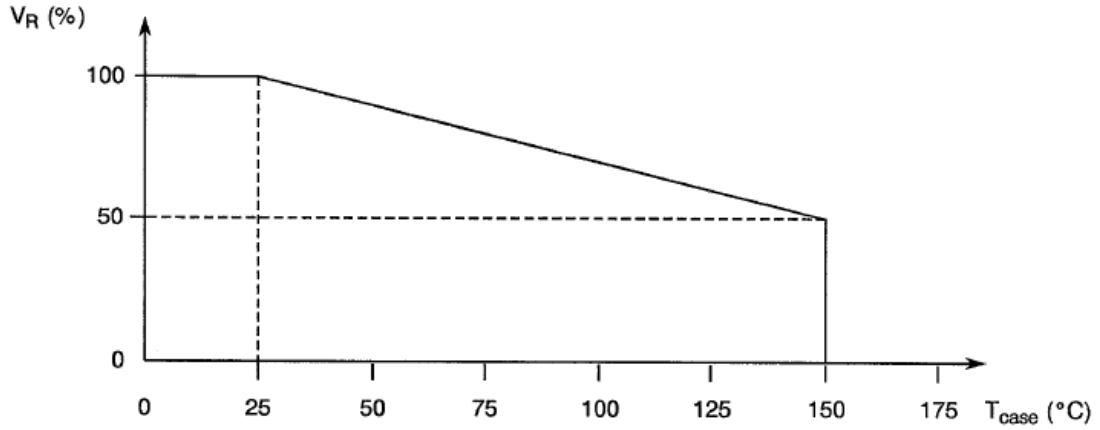
TABLE 1(b) - MAXIMUM RATINGS

No.	Characteristic	Symbol	Maximum Ratings	Unit	Remarks
1	DC Reverse Voltage Variants 01 to 30 Variants 31 to 45 Variants 46 to 60 Variants 61 to 75 and 92 Variants 76 to 86 Variants 87 to 91	V_R	-15 -20 -30 -45 -60 -75	V	Note 1
2	DC Forward Current (Continuous) Variants 01 to 30 Variants 31 to 86 and 92 Variants 87 to 91	I_F	200 300 500	mA	Note 1
3	RF Power Dissipation Variants 01 to 14 and 16 to 29 Variants 15 and 30 Variants 31 to 44 Variants 45, 60, 75 and 92 Variants 46 to 59 Variants 61 to 74 Variants 76 to 86 Variants 87 to 91	P_{tot}	2 0.5 2.8 0.6 3.6 4.2 5 0.7	W	Note 1
4	Operating Temperature Range	T_{op}	-65 to +150	°C	T_{case}
5	Storage Temperature Range	T_{stg}	-65 to +150	°C	
6	Soldering Temperature	T_{sol}	+230	°C	Note 2

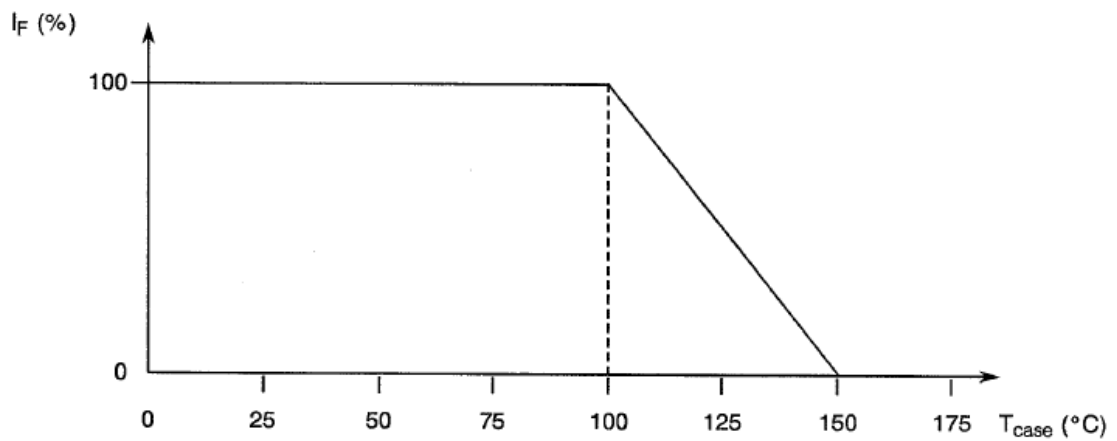
NOTES

1. At $T_{case} = +25^{\circ}\text{C}$. For derating at $T_{case} > +25^{\circ}\text{C}$, see Figure 1.
2. Duration 5 seconds maximum (at a distance of not less than 1.5mm from the body for Variants 14, 15, 29, 30, 44, 45, 59, 60, 74, 75, 86 and 91) and the same termination shall not be resoldered until 3 minutes have elapsed.

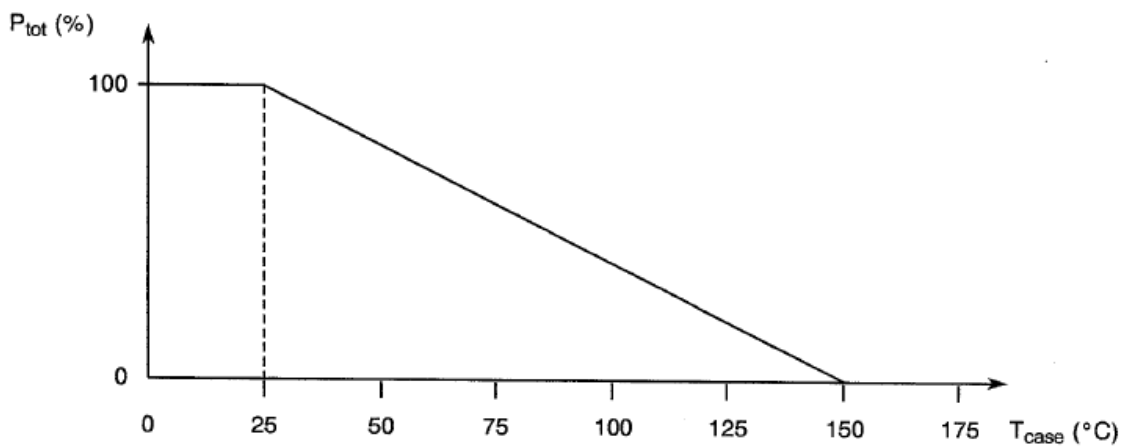
FIGURE 1 - PARAMETER DERATING INFORMATION



Reverse Voltage versus Temperature



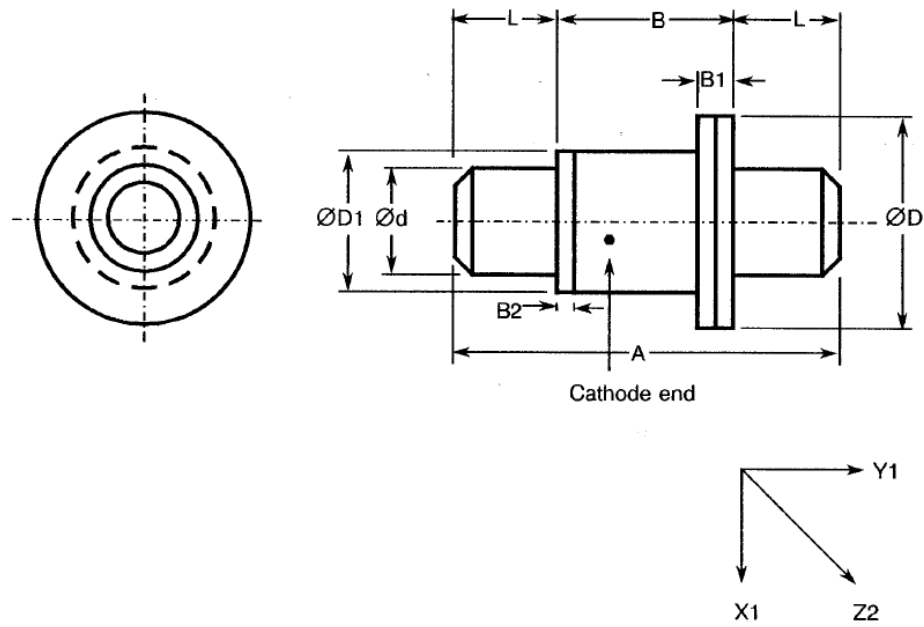
Forward Current versus Temperature



Power Dissipation versus Temperature

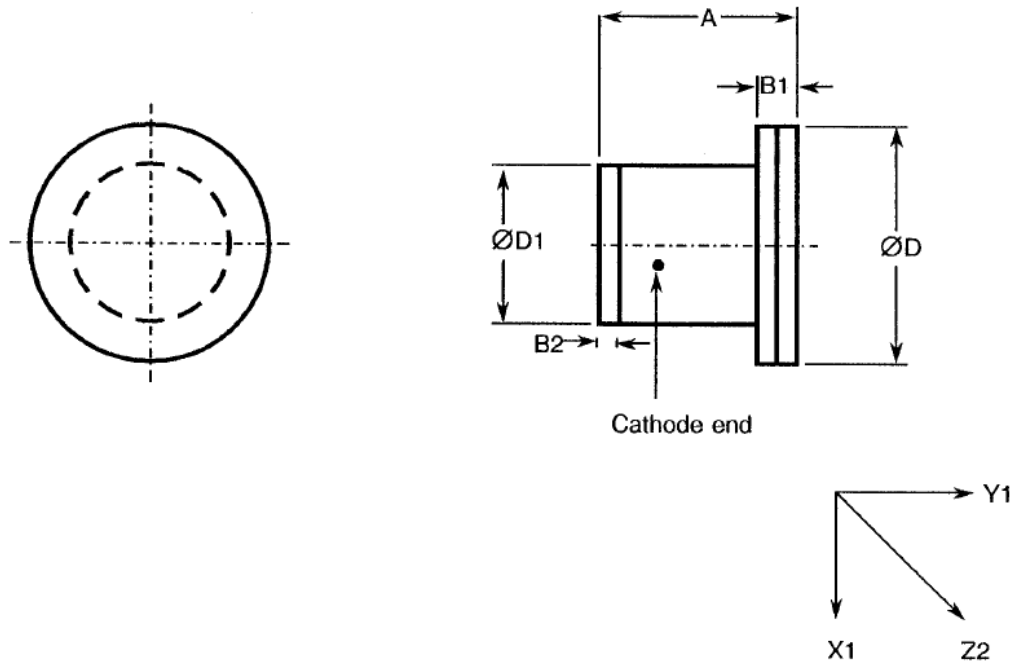
FIGURE 2 - PHYSICAL DIMENSIONS

FIGURE 2(a) - VARIANTS 01, 16, 31, 46, 61, 76



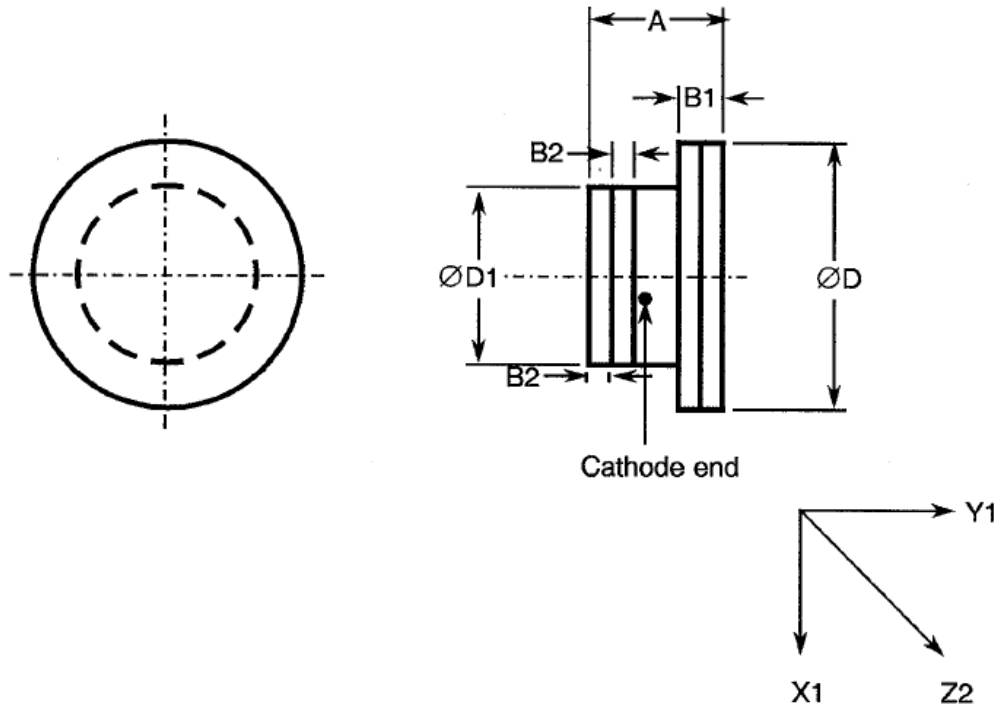
Symbol	Millimetres	
	Min	Max
A	5.2	5.72
B	2.16	2.46
B1	0.41	0.61
B2	0.15	0.25
Ød	1.52	1.63
ØD	3	3.23
ØD1	1.95	2.11
L	1.52	1.63

FIGURE 2(b) - VARIANTS 02, 17, 32, 47, 62, 77



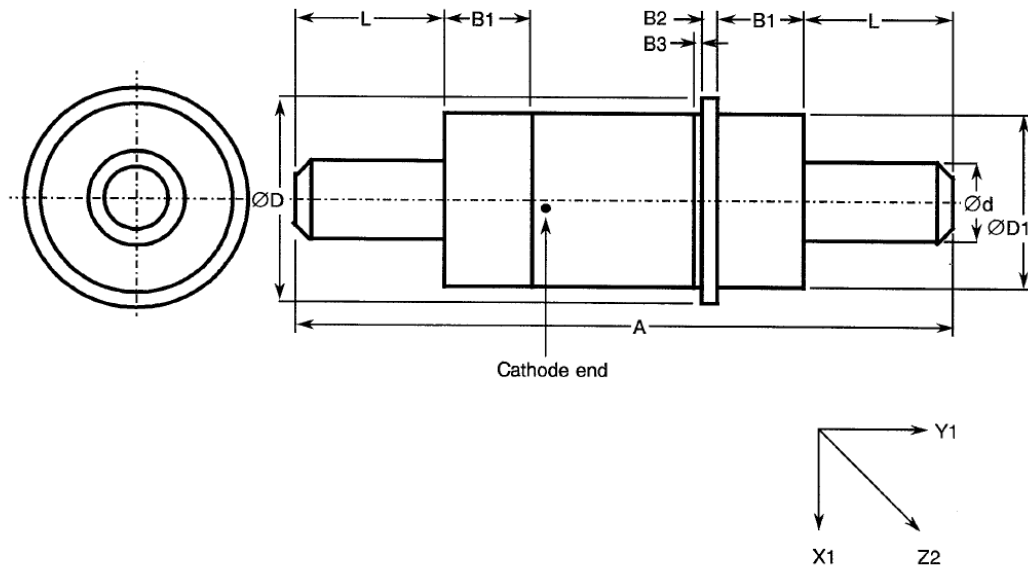
Symbol	Millimetres	
	Min	Max
A	2.16	2.46
B1	0.41	0.61
B2	0.15	0.25
$\varnothing D$	3	3.23
$\varnothing D1$	1.95	2.11

FIGURE 2(c) - VARIANTS 03, 18, 33, 48, 63, 78



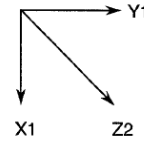
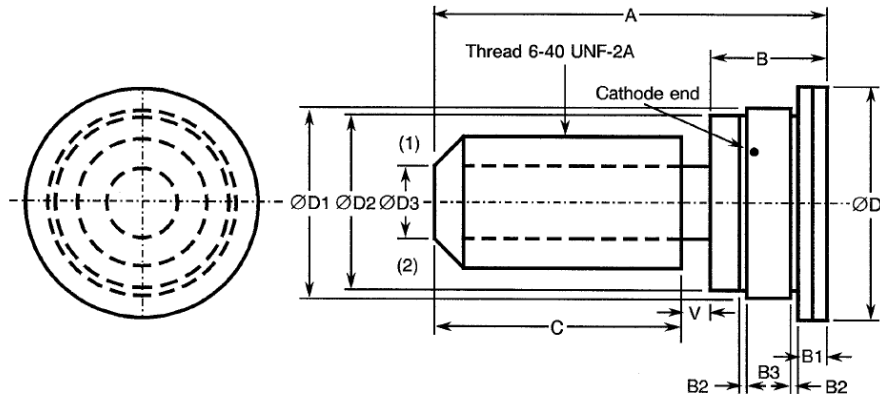
Symbol	Millimetres	
	Min	Max
A	1.37	1.68
B1	0.41	0.61
B2	0.15	0.2
$\varnothing D$	3	3.23
$\varnothing D1$	1.95	2.11

FIGURE 2(d) - VARIANTS 04, 19, 34, 49, 64, 79, 87



Symbol	Millimetres	
	Min	Max
A	19.45	20.12
B1	2.54	-
B2	0.53	0.83
B3	0.19	0.41
$\varnothing d$	2.33	2.44
$\varnothing D$	-	6.1
$\varnothing D1$	5.2	5.46
L	4.57	4.83

FIGURE 2(e) - VARIANTS 05, 20, 35, 50, 65, 80, 88

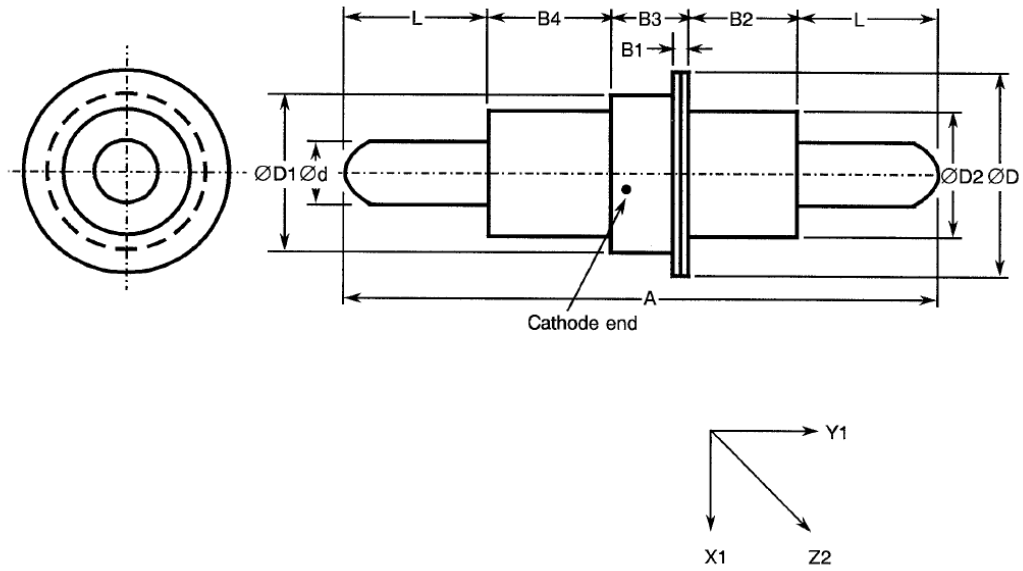


Symbol	Millimetres	
	Min	Max
A	11.18	11.68
B	3.02	3.66
B1	0.64	0.89
B2	0.18	0.23
B3	1.17	1.27
C	6.5	7.9
ØD	6.48	6.73
ØD1	5.2	5.5
ØD2	4.8	5.2
ØD3	2	2.7
V	0.76	1.02

NOTES

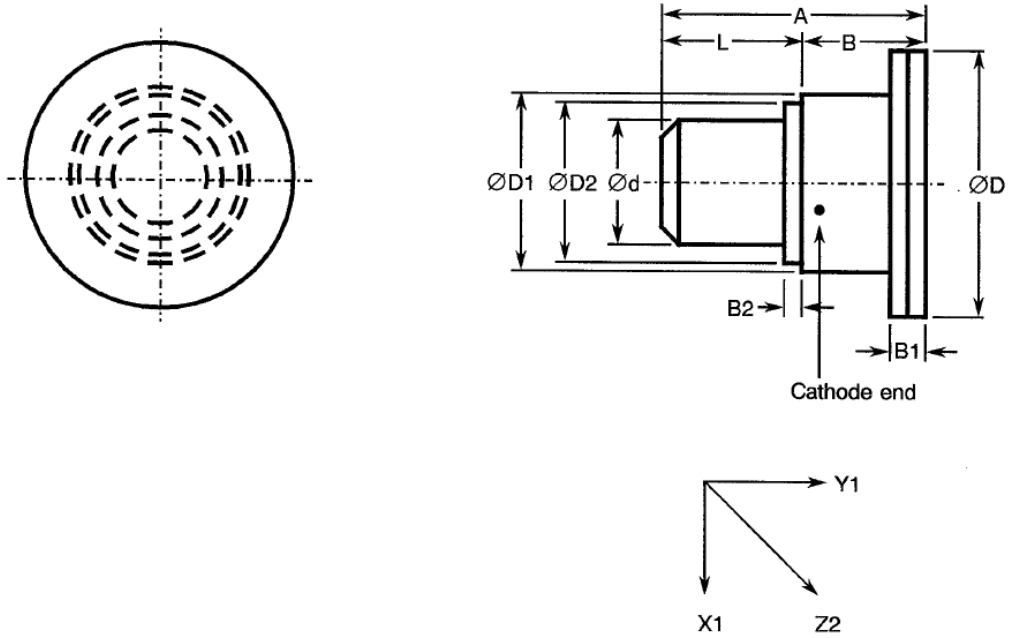
1. Spline socket to fit S-072 Bristol spline key 1.78mm deep.
2. 0.51mm x 45°.

FIGURE 2(f) - VARIANTS 06, 21, 36, 51, 66, 81, 89



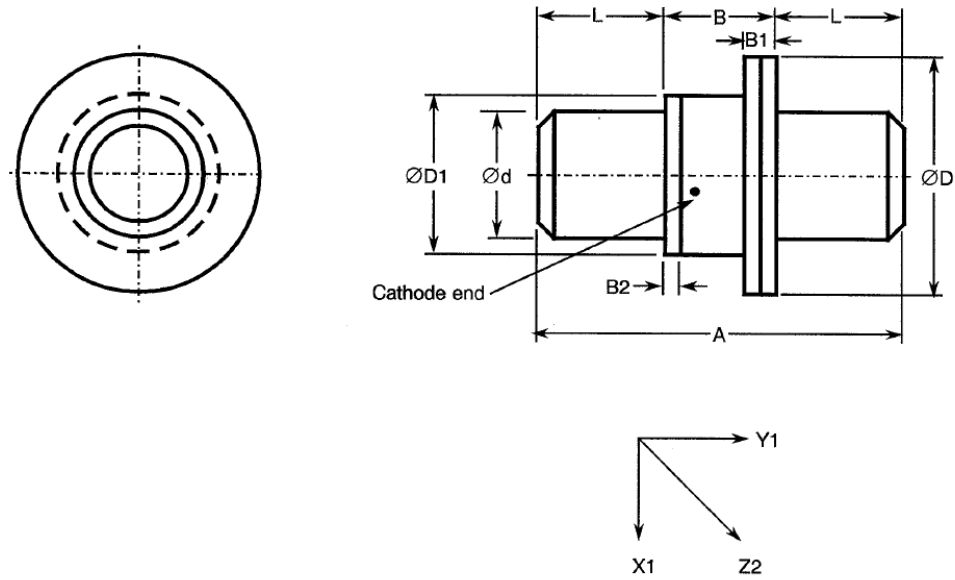
Symbol	Millimetres	
	Min	Max
A	19.46	20.12
B1	-	0.76
B2	3	3.6
B3	2.41	2.67
B4	3.68	3.94
Ød	2.33	2.39
ØD	-	6.1
ØD1	4.72	4.83
ØD2	3.81	4.19
L	4.57	4.83

FIGURE 2(g) - VARIANTS 07, 22, 37, 52, 67, 82



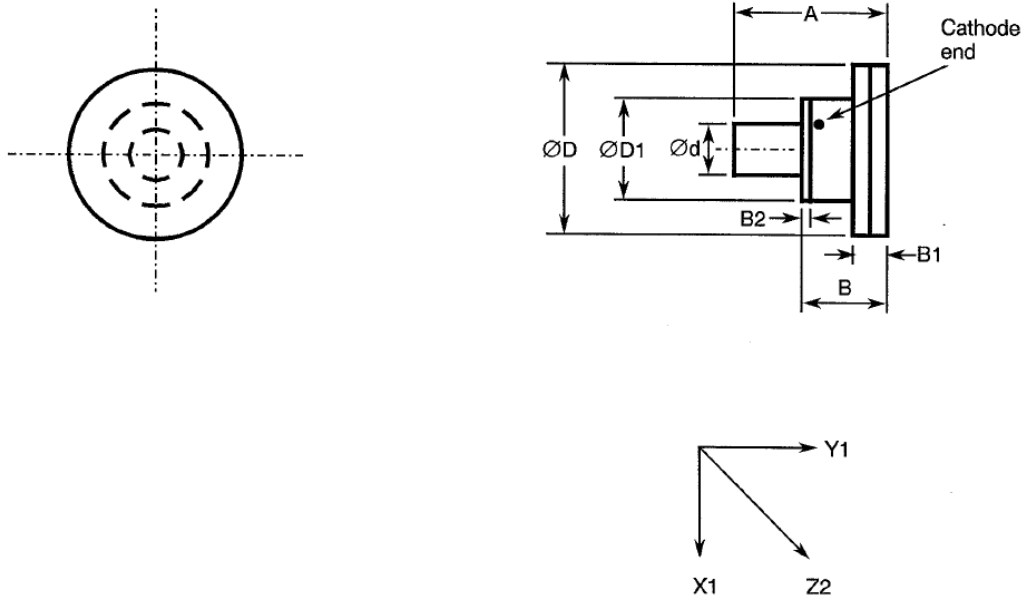
Symbol	Millimetres	
	Min	Max
A	2.92	3.28
B	1.4	1.65
B1	0.41	0.61
B2	0.15	0.2
Ød	1.52	1.63
ØD	3	3.23
ØD1	1.95	2.11
ØD2	1.85	2.03
L	1.52	1.63

FIGURE 2(h) - VARIANTS 08, 23, 38, 53, 68, 83



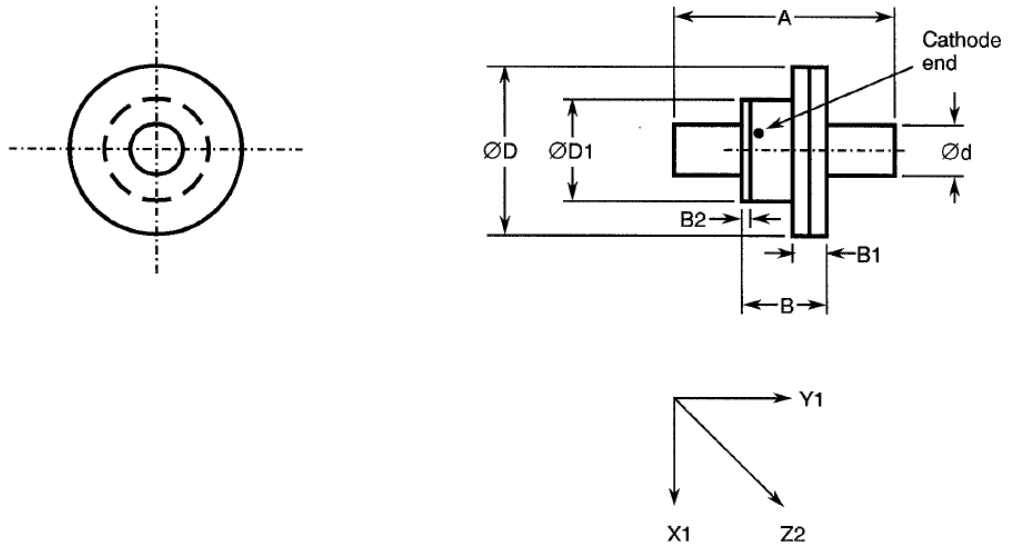
Symbol	Millimetres	
	Min	Max
A	4.42	4.93
B	1.4	1.65
B1	0.41	0.61
B2	0.15	0.2
$\varnothing d$	1.52	1.63
$\varnothing D$	3	3.23
$\varnothing D1$	1.95	2.11
L	1.52	1.63

FIGURE 2(i) - VARIANTS 09, 24, 39, 54, 69



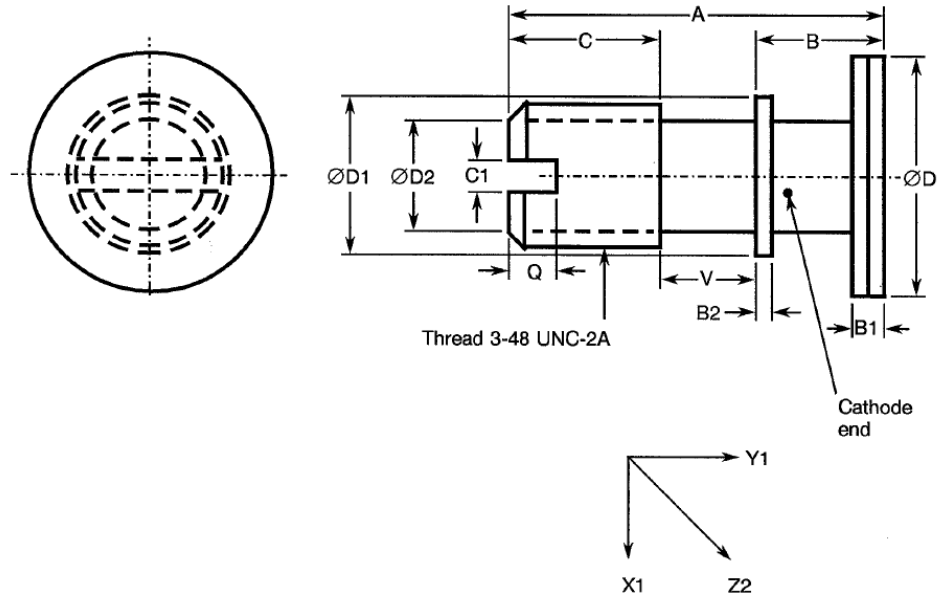
Symbol	Millimetres	
	Min	Max
A	1.78	2.03
B	1.02	1.27
B1	-	0.38
B2	0.1	0.25
$\varnothing d$	0.61	0.66
$\varnothing D$	1.98	2.18
$\varnothing D1$	1.19	1.35

FIGURE 2(j) - VARIANTS 10, 25, 40, 55, 70



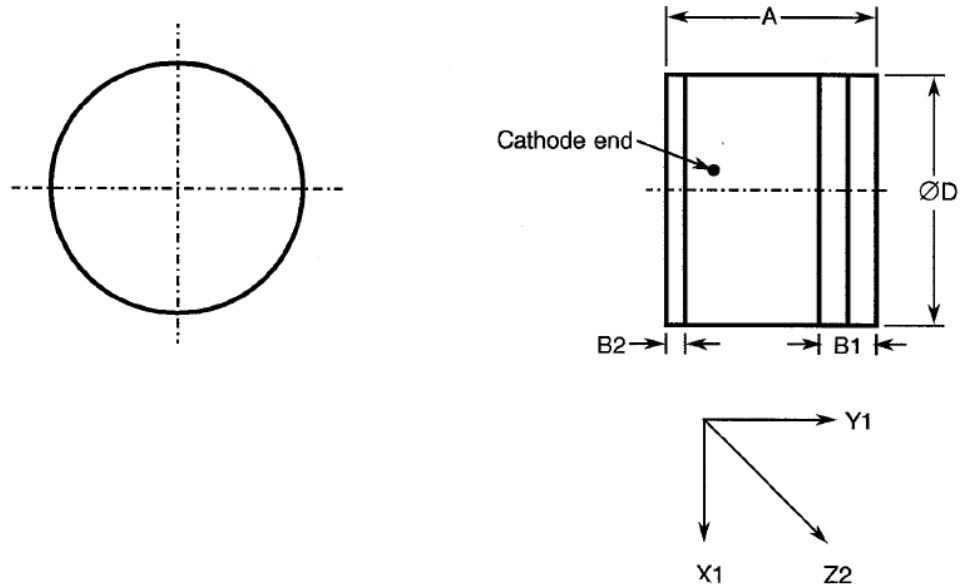
Symbol	Millimetres	
	Min	Max
A	2.54	2.79
B	1.02	1.27
B1	-	0.38
B2	0.1	0.25
$\varnothing d$	0.61	0.66
$\varnothing D$	1.98	2.18
$\varnothing D1$	1.19	1.35

FIGURE 2(k) - VARIANTS 11, 26, 41, 56, 71, 84



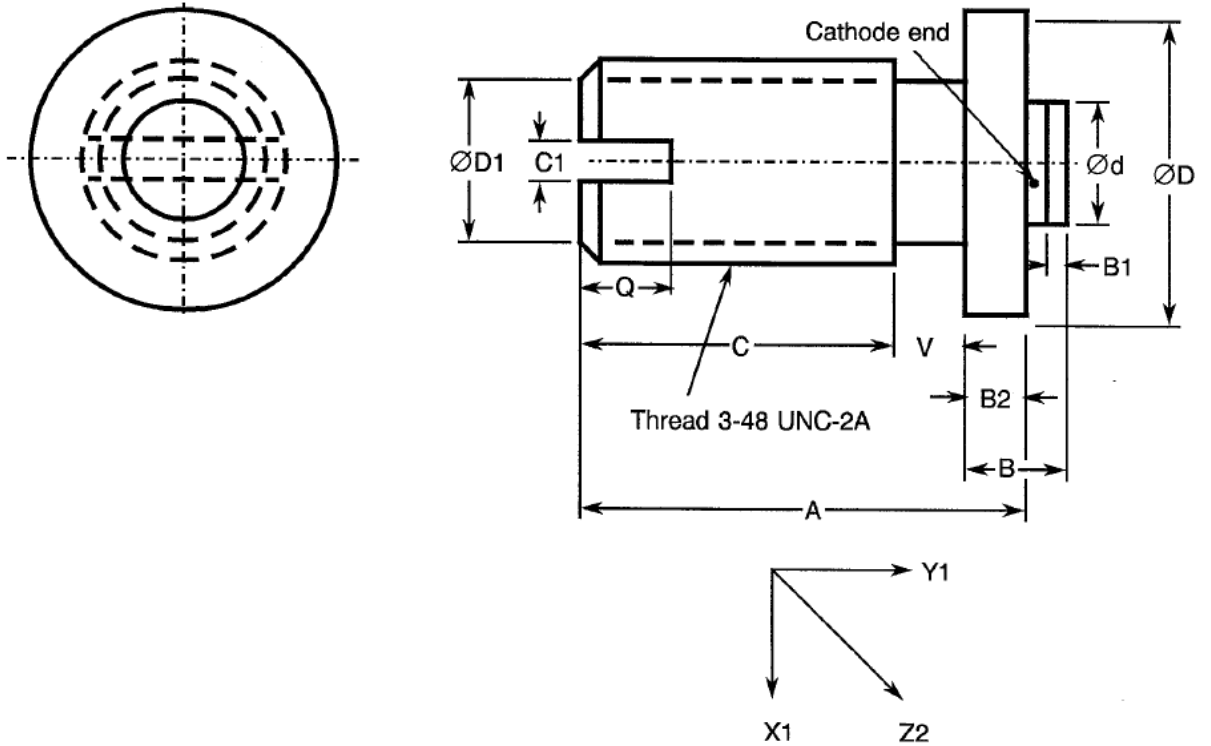
Symbol	Millimetres	
	Min	Max
A	4.71	5.3
B	1.47	1.8
B1	0.41	0.61
B2	0.2	0.3
C	1.5	2.8
C1	0.38	0.64
ØD	3	3.23
ØD1	2.49	2.59
ØD2	0.9	2.2
Q	0.76	1.02
V	0.11	2.33

FIGURE 2(I) - VARIANTS 12, 27, 42, 57, 72



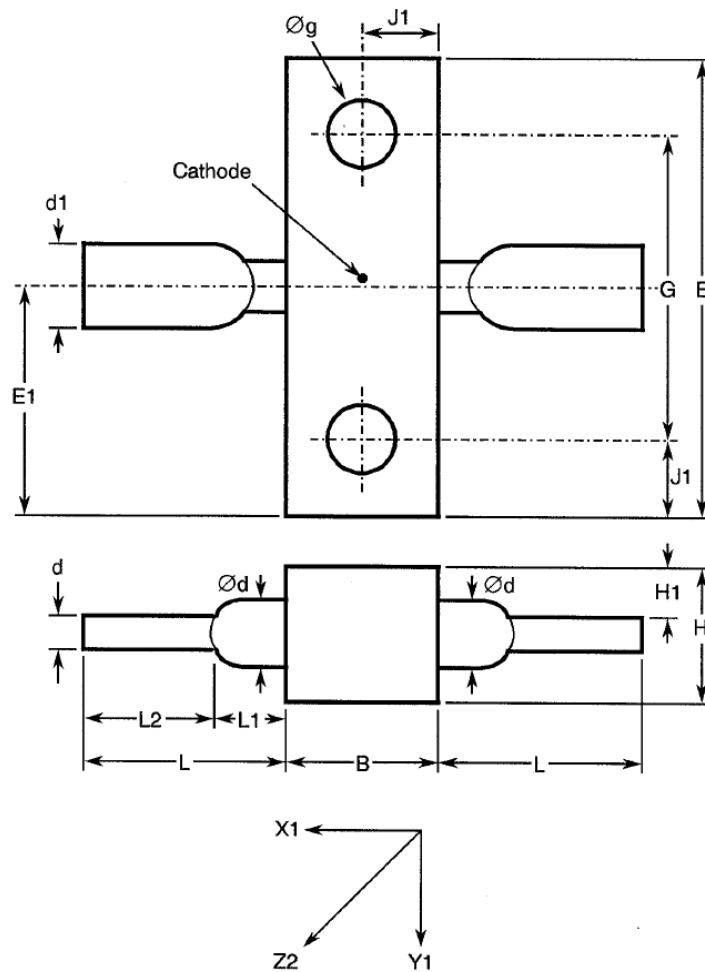
Symbol	Millimetres	
	Min	Max
A	1.02	1.27
B	0.23	0.33
B1	0.1	0.15
$\varnothing D$	1.29	1.4

FIGURE 2(m) - VARIANTS 13, 28, 43, 58, 73, 85



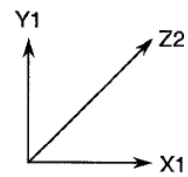
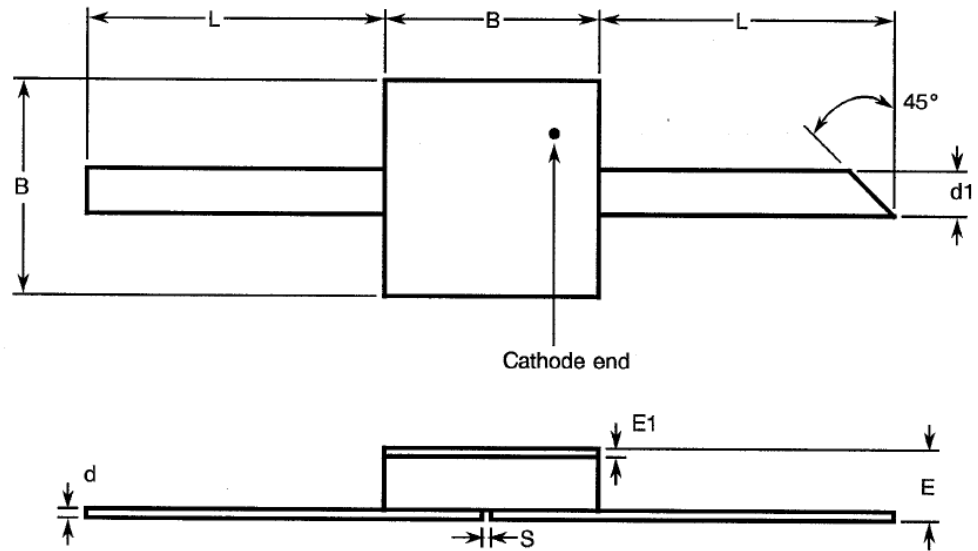
Symbol	Millimetres	
	Min	Max
A	4.24	4.75
B	1.02	1.32
B1	0.2	0.3
B2	0.46	0.56
C	2.74	3.65
C1	0.38	0.64
$\varnothing d$	1.22	1.32
$\varnothing D$	2.87	3
$\varnothing D1$	1.6	2
Q	0.89	1.14
V	0.64	0.89

FIGURE 2(n) - VARIANTS 14, 29, 44, 59, 74, 86, 91



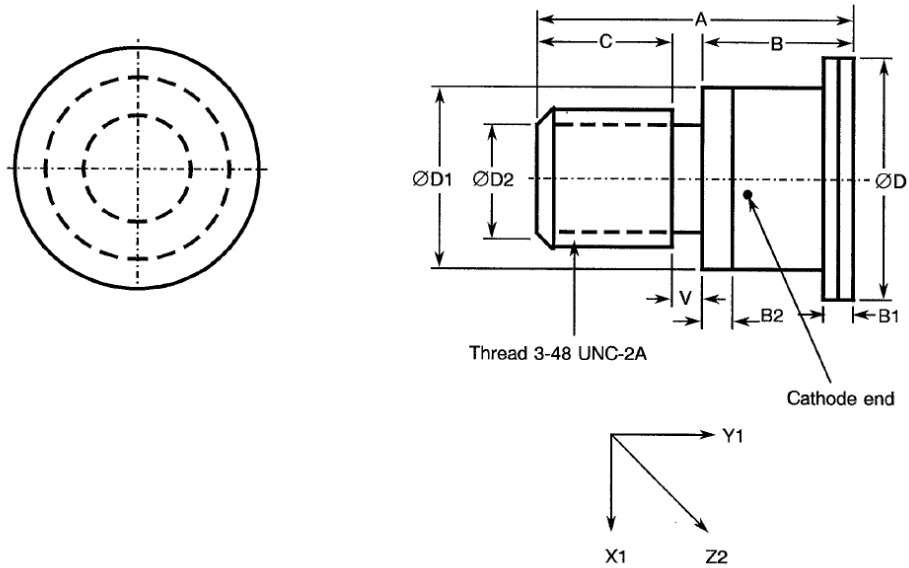
Symbol	Millimetres	
	Min	Max
B	3.94	4.19
d	0.07	0.25
d1	0.5	1.3
$\varnothing d$	0.25	0.4
E	10.16	10.67
E1	4.95	5.46
$\varnothing g$	2.34	2.54
G	6.1	6.6
H	3.05	3.3
H1	1.12	1.92
J1	1.91	2.16
L	2	-
L1	0.1	1
L2	1	-

FIGURE 2(o) - VARIANTS 15, 30, 45, 60, 75, 92



Symbol	Millimetres	
	Min	Max
B	2.39	2.62
d	0.07	0.15
d1	0.48	0.56
E	0.79	1.12
E1	0.1	0.18
L	3.3	5.84
S	0.1	-

FIGURE 2(p) - VARIANT 90



Symbol	Millimetres	
	Min	Max
A	5.34	5.74
B	2.52	2.72
B1	0.61	0.81
B2	0.65	0.85
C	1.68	2.58
ØD	4.03	4.09
ØD1	3.05	3.25
ØD2	1.6	2
V	0.64	0.94

FIGURE 3 - FUNCTIONAL DIAGRAM



1. Anode
2. Cathode

NOTES

1. The cathode end shall be marked with a black dot or band. The marking will not be on the cathode connection but adjacent to it.

4 REQUIREMENTS

4.1 GENERAL

The complete requirements for procurement of the diodes specified herein shall be as stated in this specification and ESCC Generic Specification No. 5010 for Discrete Microwave Semiconductor Components. Deviations from the Generic Specification applicable to this specification only, are listed in Para. 4.2.

Deviations from the applicable Generic Specification and this Detail Specification, formally agreed with specific Manufacturers on the basis that the alternative requirements are equivalent to the ESCC requirements and do not affect the components' reliability, are listed in the appendices attached to this specification.

4.2 DEVIATIONS FROM GENERIC SPECIFICATION

4.2.1 Deviations from Special In-process Controls

- (a) Para. 5.2.3, Total Dose Irradiation Testing: Shall be performed during qualification and extension of qualification.
- (b) Para. 5.2.3, Total Dose Irradiation Testing: Shall be performed during procurement on a lot acceptance basis at the total dose irradiation level specified in the purchase order.

4.2.2 Deviations from Final Production Tests (Chart II)

- (a) Para. 6.3, Pre-burn-in: Shall be performed in accordance with Para. 9.21(a).
- (b) Para. 9.2.2, Die Shear: Shall not be performed for Variants 14, 29, 44, 59, 74, 86 and 91 and no additional thermal tests shall be performed to replace this test.

4.2.3 Deviations from Burn-in and Electrical Measurements (Chart III)

- (a) Para. 9.21, High Temperature Reverse Bias Burn-in: Shall be performed at 50% of rated V_R .

4.2.4 Deviations from Qualification Tests (Chart IV)

- (a) Para. 9.2.4, Die Shear: Shall not be performed for Variants 14, 29, 44, 59, 74, 86 and 91 for which thermal resistance measurements shall be performed in accordance with Table 2 of this specification.
- (b) Para. 9.23, Special Testing: Shall not be performed.

4.2.5 Deviations from Lot Acceptance Tests (Chart V)

- (a) Para. 9.23, Special Testing: Shall not be performed.

4.3 MECHANICAL AND ENVIRONMENTAL REQUIREMENTS

4.3.1 Dimension Check

The dimensions of the diodes specified herein shall be checked. They shall conform to those shown in Figure 2.

4.3.2 Weight

The maximum weight of the diodes specified herein shall be:

Variant No.	Weight (g)
01, 16, 31, 46, 61, 76	0.12
02, 17, 32, 47, 62, 77	0.06
03, 18, 33, 48, 63, 78	0.08
04, 19, 34, 49, 64, 79, 87	2.14
05, 20, 35, 50, 65, 80, 88	1.1
06, 21, 36, 51, 66, 81, 89	1.8
07, 22, 37, 52, 67, 82	0.11
08, 23, 38, 53, 68, 83	0.13
09, 24, 39, 54, 69	0.015
10, 25, 40, 55, 70	0.022
11, 26, 41, 56, 71, 84	0.14
12, 27, 42, 57, 72	0.014
13, 28, 43, 58, 73, 85	0.15
14, 29, 44, 59, 74, 86, 91	0.99
15, 30, 45, 60, 75, 92	0.06
90	0.24

4.3.3 Terminal Strength

The requirements for terminal strength testing are specified in Section 9 of ESCC Generic Specification No. 5010. The test conditions shall be as follows:

- (a) Condition: 'A' (Tension)
 - Variants: 14, 15, 29, 30, 44, 45, 59, 60, 74, 75, 86, 91 and 92
 - Force: 5.1N.
 - Duration: 5 seconds.
- (b) Condition: 'D2' (Stud Torque)
 - Variants: 05, 20, 35, 50, 65, 80 and 88
 - Torque: 70mNm.
 - Duration: 5 seconds.
 - Variants: 11, 26, 41, 56, 71, 84 and 90
 - Torque: 56mNm.
 - Duration: 5 seconds.
 - Variants 13, 28, 43, 58, 73 and 85:
 - Torque: 42mNm.
 - Duration: 5 seconds.
- (c) Condition: Compression
 - Variants 01, 02, 03, 04, 05, 06, 07, 08, 11, 16, 17, 18, 19, 20, 21, 22, 23, 26, 31, 32, 33, 34, 35, 36, 37, 38, 41, 46, 47, 48, 49, 50, 51, 52, 53, 56, 61, 62, 63, 64, 65, 66, 67, 68, 71, 76, 77, 78, 79, 80, 81, 82, 83, 84, 87, 88, 89 and 90:
 - Force: 50N.
 - Duration: 5 seconds.
 - Variants 09, 10, 12, 13, 24, 25, 27, 28, 39, 40, 42, 43, 54, 55, 57, 58, 69, 70, 72, 73 and 85:
 - Force: 10N.
 - Duration: 5 seconds.

The compression test shall be performed by applying the specified force to the end-cap by means of a suitable weight applied for the specified time. On completion of the test, a visual examination shall be performed to check for damage to the end-cap or the ceramic body.

4.4 MATERIALS AND FINISHES

The materials and finishes shall be as specified herein. Where a definite material is not specified, a material which will enable the diodes specified herein to meet the performance requirements of this specification shall be used. Acceptance or approval of any constituent material shall not guarantee acceptance of the finished product.

4.4.1 Case

The case shall be hermetically sealed and have a ceramic body. The lid shall be welded or preform soldered.

4.4.2 Lead Materials and Finish

- (a) For Variants 01, 02, 03, 04, 05, 06, 07, 08, 09, 10, 11, 16, 17, 18, 19, 20, 21, 22, 23, 24, 25, 26, 31, 32, 33, 34, 35, 36, 37, 38, 39, 40, 41, 46, 47, 48, 49, 50, 51, 52, 53, 54, 55, 56, 61, 62, 63, 64, 65, 66, 67, 68, 69, 70, 71, 76, 77, 78, 79, 80, 81, 82, 83, 84, 87, 88, 89 and 90, the body material shall be Type 'A' with Type '7' finish and the lid material shall be Type 'D' with Type '2' finish, in accordance with the requirements of ESCC Basic Specification No. 23500.
- (b) For Variants 13, 28, 43, 58, 73 and 85, the lead material shall be Type 'A' with Type '7' finish in accordance with the requirements of ESCC Basic Specification No. 23500.
- (c) For Variants 12, 14, 15, 27, 29, 30, 42, 44, 45, 57, 59, 60, 72, 74, 75, 86, 91 and 92, the lead material shall be Type 'D' with Type '2' finish in accordance with the requirements of ESCC Basic Specification No. 23500.

4.5 MARKING

4.5.1 General

The marking of components delivered to this specification shall be in accordance with the requirements of ESCC Basic Specification No. 21700 and the following paragraphs. When the component is too small to accommodate all of the marking specified, as much as space permits shall be marked and the marking information, in full, shall accompany the component in its primary package.

The information to be marked and the order of precedence, shall be as follows:

- (a) Cathode Identification.
- (b) The ESCC Component Number.
- (c) Traceability Information.

4.5.2 The Cathode Identification

Cathode identification shall be as shown in Figures 2 and 3 of this specification.

4.5.3 The ESCC Component Number

Each component shall bear the ESCC Component Number which shall be constituted and marked as follows:

Example: 551200102BF

- Detail Specification Number: 5512001
- Type Variant (see Table 1(a)): 01
- Testing Level (B or C, as applicable): B
- Total Dose Irradiation Level (if applicable): F

The Total Dose Irradiation Level designation shall be added for those devices for which a sample has been successfully tested to the level in question. For these devices, a code letter shall be added in accordance with the requirements of ESCC Basic Specification No. 22900.

4.5.4 Traceability Information

Each component shall be marked in respect of traceability information in accordance with the requirements of ESCC Basic Specification No. 21700.

4.6 ELECTRICAL MEASUREMENTS

4.6.1 Electrical Measurements at Room Temperature

The parameters to be measured at room temperature are scheduled in Table 2. Unless otherwise specified, measurements shall be performed at $T_{amb} = +22 \pm 3^{\circ}\text{C}$.

4.6.2 Electrical Measurements at High and Low Temperatures

The parameters to be measured at high and low temperatures are scheduled in Table 3. Unless otherwise specified, the measurements shall be performed at $+150 (+0 -3)^{\circ}\text{C}$.

4.6.3 Circuits for Electrical Measurements

Circuits for use in performing electrical measurements listed in Table 2 of this specification are shown in Figure 4.

4.7 BURN-IN TESTS

Burn-in shall be Category 2 of Chart III(a).

4.7.1 Parameter Drift Values

The parameter drift values applicable to burn-in are specified in Table 4 of this specification. Unless otherwise stated, the measurements shall be performed at $T_{amb} = +22 \pm 3^{\circ}\text{C}$. The parameter drift values (Δ) applicable to the scheduled parameters shall not be exceeded. In addition to these drift value requirements for a given parameter, the appropriate limit value specified in Table 2 shall not be exceeded.

4.7.2 Conditions for High Temperature Reverse Bias Burn-in

The requirements for the high temperature reverse bias burn-in are specified in Section 7 of ESCC Generic Specification No. 5010. The conditions for high temperature reverse bias burn-in shall be as specified in Table 5(a) of this specification.

4.7.3 Conditions for Power Burn-in

The requirements for power burn-in are specified in Section 7 of ESCC Generic Specification No. 5010. The conditions for power burn-in shall be as specified in Table 5(b) of this specification.

4.7.4 Electrical Circuits for High Temperature Reverse Bias and Power Burn-in

Circuits for use in performing the H.T.R.B and power burn-in tests are shown in Figures 5(a) and 5(b) of this specification.

TABLE 2 - ELECTRICAL MEASUREMENTS AT ROOM TEMPERATURE - DC PARAMETERS

No.	Characteristics	Symbol	MIL-STD-750 Test Method	Test Conditions	Limits		Unit
					Min.	Max.	
1	Reverse Current 1	I_{R1}	4016	$V_R = \text{Note 1}$	-	10	μA
2	Reverse Current 2	I_{R2}	4016	$V_R = \text{Note 2}$	-	50	nA
3	Forward Voltage	V_F	4011	$I_F = 100\text{mA}$ Variants 01 to 45 Variants 46 to 86 and 92 Variants 87 to 91	- - -	1.3 1.2 1	V
4	Thermal Resistance	$R_{TH(J-C)}$	3101	$I_F = 1\text{A}$ Note 3 Variants 01 to 14 and 16 to 29 Variants 15 and 30 Variants 31 to 44 Variant 45 Variants 46 to 59 Variant 60 Variants 61 to 74 Variants 75 and 92 Variants 76 to 86 Variants 87 to 91	- - - - - - - - - - -	60 220 45 205 35 195 30 190 25 12	$^{\circ}\text{C/W}$

NOTES

1. Table 1(b), Item 1.
2. Half the value of Table 1(b), Item 1.
3. Pulsed measurement, pulse width = $4\mu\text{s}$, p.r.f. = 1kHz.

TABLE 2- ELECTRICAL MEASUREMENTS AT ROOM TEMPERATURE - AC PARAMETERS

No.	Characteristics	Symbol	MIL-STD-750 Test Method	Test Fig.	Test Conditions	Limits		Unit
						Min.	Max.	
5	Total Capacitance	C_T	4001	-	$V_R = -6V$ $f = 1MHz$	Note 1		pF
6	Minority Carrier Lifetime	τ_L	-	4	$I_F = 10mA$ Variants 01 to 15 Variants 16 to 45 Variants 46 to 60 Variants 61 to 75 Variants 76 to 86 Variants 87 to 91 Variant 92	7 10 15 35 50 100 80	- - - - - - -	ns
7	Transition Time	τ_S	-	4	$I_F = 10mA$ Variants 01 to 15 Variants 16 to 30 Variants 31 to 45 Variants 46 to 60 Variants 61 to 75 and 92 Variants 76 to 86 Variants 87 to 91	- - - - - - -	75 150 170 200 250 600 1500	ps

NOTES

1. See Column 4 of Table 1(a).

TABLE 3 - ELECTRICAL MEASUREMENTS AT HIGH AND LOW TEMPERATURES

No.	Characteristics	Symbol	Spec. And/OR Test Method	Test Conditions	Limits		Unit
					Min.	Max.	
2	Reverse Current 2	I_{R2}	As per Table 2	As per Table 2	-	10	μA

TABLE 4 - PARAMETER DRIFT VALUES

No.	Characteristics	Symbol	Spec. And/OR Test Method	Test Conditions	Change Limits (Δ)	Unit
2	Reverse Current 2	I_{R2}	As per Table 2	As per Table 2	± 10 (1) or (2) ± 100 (1)	nA %
3	Forward Voltage	V_F	As per Table 2	As per Table 2	± 100 (1)	mV

NOTES

1. $\Delta 1 = \Delta 2$.
2. Whichever is the greater, referred to the initial measurement.

FIGURE 4 - CIRCUITS FOR ELECTRICAL MEASUREMENTS

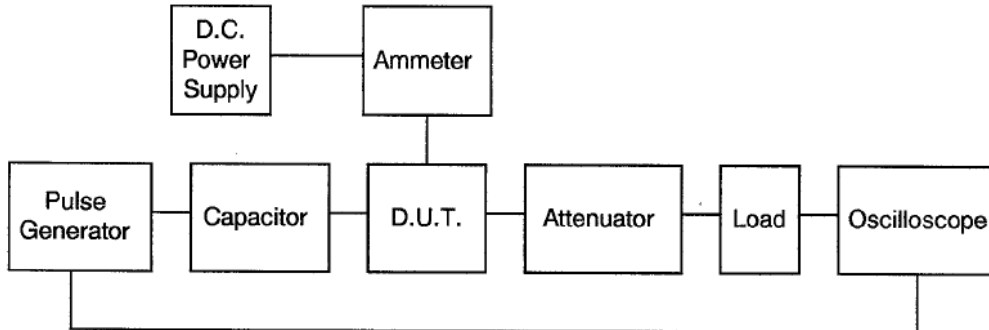


TABLE 5(a) - CONDITIONS FOR HIGH TEMPERATURE REVERSE BIAS BURN-IN

No.	Characteristics	Symbol	Conditions	Unit
1	Ambient Temperature	T_{amb}	+150 (+0 -3)	°C
2	Reverse Voltage	V_R	Note 1	V

NOTES

1. Half the value of Table 1(b), Item 1.

TABLE 5(b) - CONDITIONS FOR POWER BURN-IN AND OPERATING LIFE TESTS

No.	Characteristics	Symbol	Conditions	Unit
1	Ambient Temperature	T_{amb}	+125 (+0 -3)	°C
2	Forward Current	I_F	Variants 01 to 30: 100 Variants 31 to 86 and 92: 150 Variants 87 to 91: 250	mA

FIGURE 1

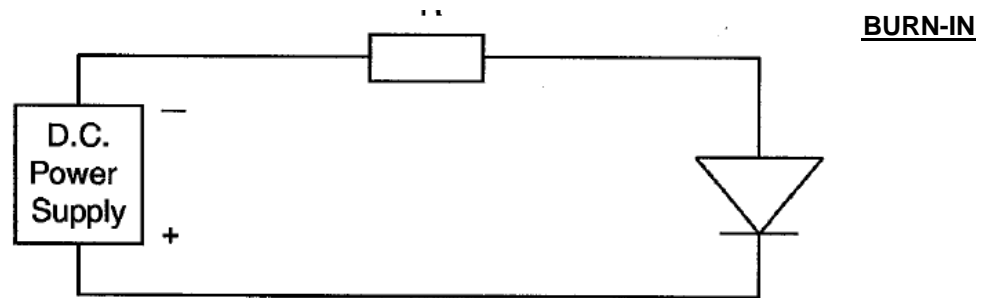
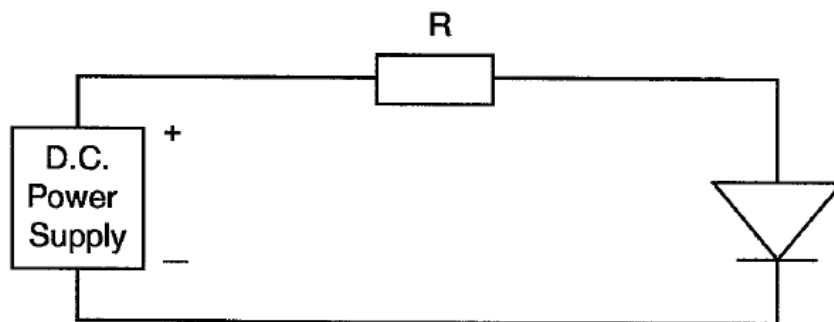


FIGURE 5(b) - ELECTRICAL CIRCUIT FOR POWER BURN-IN AND OPERATING LIFE TESTS



- 4.8 ENVIRONMENTAL AND ENDURANCE TESTS (CHARTS IV AND V OF ESCC GENERIC SPECIFICATION No. 5010)
- 4.8.1 Electrical Measurements on Completion of Environmental Tests
The parameters to be measured on completion of environmental tests are scheduled in Table 2. Unless otherwise stated, the measurements shall be performed at $T_{amb} = +22 \pm 3^{\circ}\text{C}$.
- 4.8.2 Electrical Measurements at Intermediate Points and on Completion of Endurance Tests
The parameters to be measured at intermediate points and on completion of endurance tests are scheduled in Table 6. Unless otherwise stated, the measurements shall be performed at $T_{amb} = +22 \pm 3^{\circ}\text{C}$.
- 4.8.3 Conditions for Operating Life Tests (Part of Endurance Testing)
The requirements for operating life testing are specified in Section 9 of ESCC Generic Specification No. 5010. The conditions for operating life testing are specified in Table 5(b) of this specification.
- 4.8.4 Electrical Circuits for Operating Life Tests
The circuit to be used for performance of the operating life test shall be the same as shown in Figure 5(b) for Power Burn-in.

4.9 TOTAL DOSE IRRADIATION TESTING

4.9.1 Application

If specified in Para. 4.2.1 of this specification, total dose irradiation testing shall be performed in accordance with the requirements of ESCC Basic Specification No. 22900.

4.9.2 Bias Conditions

Continuous bias shall be applied during irradiation testing as shown in Figure 6 of this specification.

4.9.3 Electrical Measurements

The parameters to be measured prior to irradiation exposure are scheduled in Table 2 of this specification. Only devices which meet the requirements of Table 2 shall be included in the test sample.

The parameters to be measured during and on completion of irradiation testing are scheduled in Table 7 of this specification.

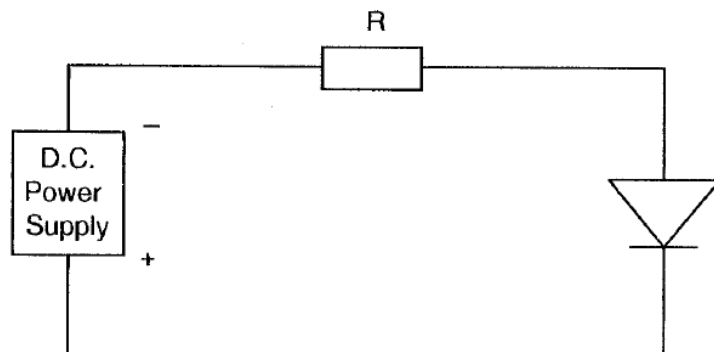
4.10 SPECIAL TESTING

Not applicable.

TABLE 6 - ELECTRICAL MEASUREMENTS AT INTERMEDIATE POINTS AND ON COMPLETION OF ENDURANCE TESTING

No.	Characteristics	Symbol	Spec. And/Or Test Method	Test Conditions	Limits		Unit
					Min.	Max.	
1	Reverse Current 1	I_{R1}	As per Table 2	As per Table 2	As per Table 2		μA
2	Reverse Current 2	I_{R2}	As per Table 2	As per Table 2	As per Table 2		nA
3	Forward Voltage	V_F	As per Table 2	As per Table 2	As per Table 2		V
4	Total Capacitance	C_T	As per Table 2	As per Table 2	As per Table 2		pF

FIGURE 6 - BIAS CONDITIONS FOR IRRADIATION TESTING



NOTES

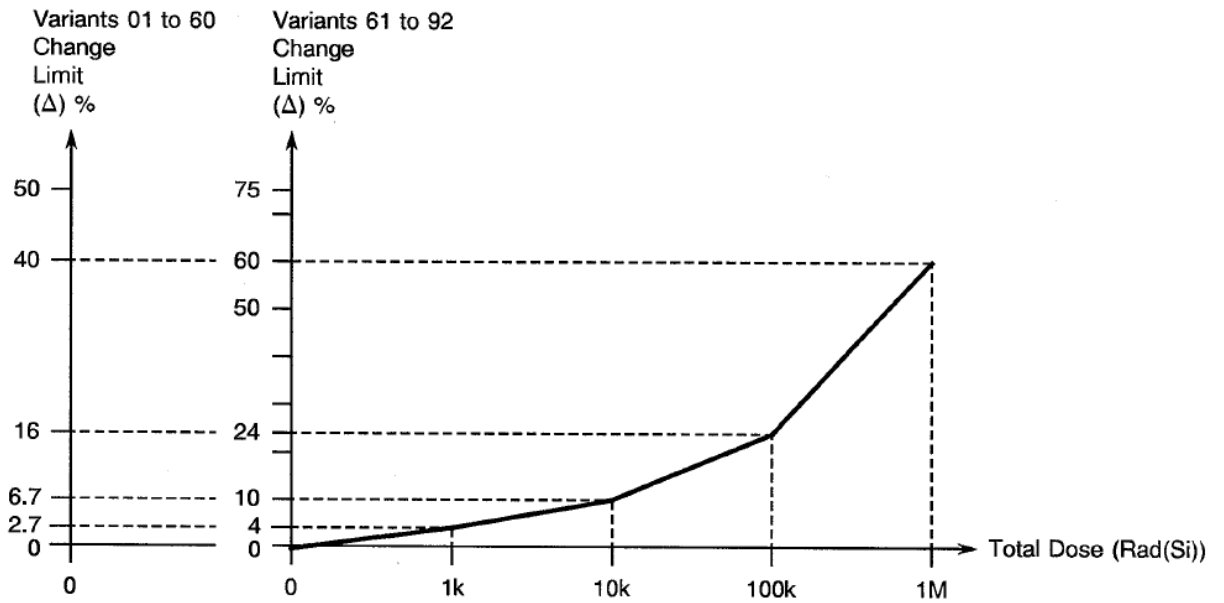
1. A reverse bias of $V_R = \text{Half the value of Table 1(b), Item 1}$, shall be applied.

TABLE 7 - ELECTRICAL MEASUREMENTS DURING AND ON COMPLETION OF IRRADIATION TESTING

No.	Characteristics	Symbol	Spec. And/Or Test Method	Test Conditions	Change Limits (Δ)	Unit
6	Minority Carrier Lifetime	τ_L	As per Table 2	As per Table 2	Note 1	%

NOTES

- The graph given below shall be used to determine the maximum permitted change.





APPENDIX A
AGREED DEVIATIONS FOR M/A-COM LTD. (G.B.)

ITEMS AFFECTED	DESCRIPTION OF DEVIATIONS
Para. 4.2.2	Para. 9.4, "High Temperature Stabilisation Bake": May be performed at +150(+0 -3)°C.