



**DIODES, MICROWAVE, SILICON,
TUNING VARACTOR,
BASED ON TYPES ML4351 THRU ML4354
ESCC Detail Specification No. 5512/006**

**ISSUE 1
October 2002**



	ESCC Detail Specification		PAGE ii ISSUE 1
--	---------------------------	--	--------------------

LEGAL DISCLAIMER AND COPYRIGHT

European Space Agency, Copyright © 2002. All rights reserved.

The European Space Agency disclaims any liability or responsibility, to any person or entity, with respect to any loss or damage caused, or alleged to be caused, directly or indirectly by the use and application of this ESCC publication.

This publication, without the prior permission of the European Space Agency and provided that it is not used for a commercial purpose, may be:

- copied in whole in any medium without alteration or modification.
- copied in part, in any medium, provided that the ESCC document identification, comprising the ESCC symbol, document number and document issue, is removed.



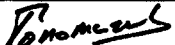
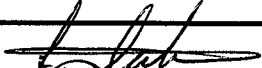
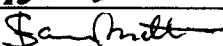
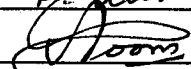
europaean space agency
agence spatiale européenne

Pages 1 to 26

DIODES, MICROWAVE, SILICON,
TUNING VARACTOR,
BASED ON TYPES ML4351 THRU ML4354
ESA/SCC Detail Specification No. 5512/006



space components
coordination group

Issue/Rev.	Date	Approved by	
		SCCG Chairman	ESA Director General or his Deputy
Issue 1	May 1993		
Revision 'A'	May 2000		



DOCUMENTATION CHANGE NOTICE

Rev. Letter	Rev. Date	Reference	CHANGE Item	Approved DCR No.	
'A'	May '00	P1. Cover page		None	
		P2. DCN		None	
		P4. T of C	: Table 5(a) entry amended	221551	
			: Table 5(b) entry amended	221551	
			: Figure 5 entry amended to "5(a)"	221551	
			: Figure 5(b) entry added	221551	
			: Deviations (a) and (b) paragraph reference amended	221551	
		P15. Para. 4.2.1	: Deviation (c) deleted and (d) renumbered as "(c)"	221551	
			Para. 4.2.2	: Deviation deleted and "None" added	221551
			Para. 4.2.3	: Deviation (a) paragraph reference amended	221551
		P18. Para. 4.7.3	: New paragraph added	221551	
			: Existing paragraph renumbered as "4.7.4" and amended	221551	
		P22. Table 5(a)	: Title amended	221551	
			Table 5(b)	: Title amended	221551
		Figure 5	: Existing Table deleted and new Table added	221551	
: Renumbered as "5(a)"	221551				
Figure 5(b)	: New Figure added	221551			
	P23. Para. 4.8.3	: In the second sentence, "5(b)" amended to "5(a)"	221551		
Para. 4.8.4		: In the text, "5" amended to "5(a)"	221551		




 SCC	ESA/SCC Detail Specification No. 5512/006		PAGE 3 ISSUE 1
--	--	--	-------------------

TABLE OF CONTENTS

		<u>Page</u>
1.	<u>GENERAL</u>	5
1.1	Scope	5
1.2	Type Variants	5
1.3	Maximum Ratings	5
1.4	Parameter Derating Information	5
1.5	Physical Dimensions	5
1.6	Functional Diagram	5
1.7	Handling Precautions	5
2.	<u>APPLICABLE DOCUMENTS</u>	5
3.	<u>TERMS, DEFINITIONS, ABBREVIATIONS, SYMBOLS AND UNITS</u>	5
4.	<u>REQUIREMENTS</u>	15
4.1	General	15
4.2	Deviations from Generic Specification	15
4.2.1	Deviations from Special In-process Controls	15
4.2.2	Deviations from Final Production Tests	15
4.2.3	Deviations from Burn-in and Electrical Measurements	15
4.2.4	Deviations from Qualification Tests	15
4.2.5	Deviations from Lot Acceptance Tests	15
4.3	Mechanical and Environmental Requirements	15
4.3.1	Dimension Check	15
4.3.2	Weight	16
4.3.3	Terminal Strength	16
4.4	Materials and Finishes	17
4.4.1	Case	17
4.4.2	Lead Materials and Finish	17
4.5	Marking	17
4.5.1	General	17
4.5.2	Cathode Identification	17
4.5.3	The SCC Component Number	17
4.5.4	Traceability Information	18
4.6	Electrical Measurements	18
4.6.1	Electrical Measurements at Room Temperature	18
4.6.2	Electrical Measurements at High and Low Temperatures	18
4.6.3	Circuits for Electrical Measurements	18
4.7	Burn-in Tests	18
4.7.1	Parameter Drift Values	18
4.7.2	Conditions for High Temperature Reverse Bias Burn-in	18
4.7.3	Electrical Circuit for High Temperature Reverse Bias Burn-in	18
4.8	Environmental and Endurance Tests	23
4.8.1	Electrical Measurements on Completion of Environmental Tests	23
4.8.2	Electrical Measurements at Intermediate Points and on Completion of Endurance Tests	23
4.8.3	Conditions for Operating Life Tests	23
4.8.4	Electrical Circuits for Operating Life Tests	23
4.9	Total Dose Irradiation Testing	23
4.9.1	Application	23
4.9.2	Bias Conditions	23
4.9.3	Electrical Measurements	23
4.10	Special Testing	23

 	<p style="text-align: center;">ESA/SCC Detail Specification No. 5512/006</p>	<p style="text-align: center;">Rev. 'A'</p>	<p>PAGE 4 ISSUE 1</p>
--	--	---	---------------------------

TABLES



		<u>Page</u>
1(a)	Type Variants	6
1(b)	Maximum Ratings	8
2	Electrical Measurements at Room Temperature - D.C. Parameters	19
	Electrical Measurements at Room Temperature - A.C. Parameters	19
3	Electrical Measurements at High and Low Temperatures	20
4	Parameter Drift Values	20
5(a)	Conditions for High Temperature Reverse Bias Burn-in and Operating Life Tests	22
5(b)	Conditions for Power Burn-in	22
6	Electrical Measurements at Intermediate Points and on Completion of Endurance Testing	24
7	Electrical Measurements During and on Completion of Irradiation Testing	25

FIGURES

1	Parameter Derating Information	8
2	Physical Dimensions	9
3	Functional Diagram	14
4	Circuits for Electrical Measurements	21
5(a)	Electrical Circuit for High Temperature Reverse Bias Burn-in and Operating Life Tests	22
5(b)	Electrical Circuit for Power Burn-in	22
6	Bias Conditions for Irradiation Testing	24

APPENDICES (Applicable to specific Manufacturers only)

'A'	Agreed Deviations for M/A-Corn Ltd. (G.B.)	26
-----	--	----

 	<p style="text-align: center;">ESA/SCC Detail Specification No. 5512/006</p>	<p>PAGE 5 ISSUE 1</p>
--	--	---------------------------

1. GENERAL

1.1 SCOPE

This specification details the ratings, physical and electrical characteristics, test and inspection data for a Diode, Microwave, Silicon, Tuning Varactor, based on Types ML4351 thru ML4354. It shall be read in conjunction with ESA/SCC Generic Specification No. 5010, the requirements of which are supplemented herein.

1.2 TYPE VARIANTS

Variants of the basic diodes specified herein, which are also covered by this specification are given in Table 1(a).

1.3 MAXIMUM RATINGS

The maximum ratings, which shall not be exceeded at any time during use or storage, applicable to the diodes specified herein, are as scheduled in Table 1(b).

1.4 PARAMETER DERATING INFORMATION

The derating information applicable to the diodes specified herein is shown in Figure 1.

1.5 PHYSICAL DIMENSIONS

The physical dimensions of the diodes specified herein are shown in Figure 2.

1.6 FUNCTIONAL DIAGRAM

The functional diagram, showing lead identification, of the diodes specified herein, is shown in Figure 3.

1.7 HANDLING PRECAUTIONS

These devices are susceptible to damage by electrostatic discharge. Therefore, suitable precautions shall be employed for protection during all phases of manufacture, testing, packaging, shipment and any handling.

These components are Categorised as Class 2 with a Minimum Critical Path Failure Voltage of 3400V.

2. APPLICABLE DOCUMENTS

The following documents form part of this specification and shall be read in conjunction with it:-

- (a) ESA/SCC Generic Specification No. 5010 for Discrete Microwave Semiconductor Components.
- (b) MIL-STD-750, Test Methods and Procedures for Semiconductor Devices.

3. TERMS, DEFINITIONS, ABBREVIATIONS, SYMBOLS AND UNITS

For the purpose of this specification, the terms, definitions, abbreviations, symbols and units specified in ESA/SCC Basic Specification No. 21300 shall apply.



TABLE 1(a) - TYPE VARIANTS

VARIANT ⁽¹⁾	BASED ON TYPE ⁽²⁾	FIGURE ⁽³⁾	TOTAL CAPACITANCE ⁽⁴⁾ C_T (pF)		QUALITY FACTOR (Q) (MINIMUM) ⁽⁵⁾	BODY-LID AND LEAD MATERIAL AND FINISH ⁽⁶⁾
			MIN	MAX		
01	ML4351 - 30	2(a)	0.56	0.84	1150	A7-D2
02	ML4351 - 31	2(b)	0.56	0.84	1150	A7-D2
03	ML4351 - 33	2(c)	0.61	0.89	1150	A7
04	ML4351 - 36	2(d)	0.56	0.84	1150	A7-D2
05	ML4351 - 96	2(e)	0.53	0.81	1150	A7-D2
06	ML4351 - 97	2(f)	0.53	0.81	1150	A7-D2
07	ML4351 - 103	2(g)	0.66	0.94	1150	A7-D2
08	ML4351 - 118	2(h)	0.60	0.88	1150	A7
09	ML4351 - 120	2(i)	0.51	0.79	1150	D2
10	ML4351 - 186	2(j)	0.51	0.79	1150	D2
11	ML4351 - 276	2(k)	0.51	0.79	1150	D2
12	ML4352 - 30	2(a)	0.74	1.06	1100	A7-D2
13	ML4352 - 31	2(b)	0.74	1.06	1100	A7-D2
14	ML4352 - 33	2(c)	0.79	1.11	1100	A7
15	ML4352 - 36	2(d)	0.74	1.06	1100	A7-D2
16	ML4352 - 96	2(e)	0.71	1.03	1100	A7-D2
17	ML4352 - 97	2(f)	0.71	1.03	1100	A7-D2
18	ML4352 - 103	2(g)	0.84	1.16	1100	A7-D2
19	ML4352 - 118	2(h)	0.78	1.10	1100	A7
20	ML4352 - 120	2(i)	0.69	1.01	1100	D2
21	ML4352 - 186	2(j)	0.69	1.01	1100	D2
22	ML4352 - 276	2(k)	0.69	1.01	1100	D2
23	ML4353 - 30	2(a)	1.00	1.40	1000	A7-D2
24	ML4353 - 31	2(b)	1.00	1.40	1000	A7-D2
25	ML4353 - 33	2(c)	1.05	1.45	1000	A7
26	ML4353 - 36	2(d)	1.00	1.40	1000	A7-D2
27	ML4353 - 96	2(e)	0.97	1.37	1000	A7-D2
28	ML4353 - 97	2(f)	0.97	1.37	1000	A7-D2
29	ML4353 - 103	2(g)	1.10	1.50	1000	A7-D2
30	ML4353 - 118	2(h)	1.04	1.44	1000	A7
31	ML4353 - 120	2(i)	0.95	1.35	1000	D2
32	ML4353 - 186	2(j)	0.95	1.35	1000	D2
33	ML4353 - 276	2(k)	0.95	1.35	1000	D2
34	ML4354 - 30	2(a)	1.55	2.05	900	A7-D2
35	ML4354 - 31	2(b)	1.55	2.05	900	A7-D2
36	ML4354 - 33	2(c)	1.60	2.10	900	A7



TABLE 1(a) - TYPE VARIANTS (CONT'D)

VARIANT (1)	BASED ON TYPE (2)	FIGURE (3)	TOTAL CAPACITANCE (4) C_T (pF)		QUALITY FACTOR (Q) (MINIMUM) (5)	BODY-LID AND LEAD MATERIAL AND FINISH (6)
			MIN	MAX		
37	ML4354 - 36	2(d)	1.55	2.05	900	A7-D2
38	ML4354 - 96	2(e)	1.53	2.02	900	A7-D2
39	ML4354 - 97	2(f)	1.52	2.02	900	A7-D2
40	ML4354 - 103	2(g)	1.65	2.15	900	A7-D2
41	ML4354 - 118	2(h)	1.59	2.09	900	A7
42	ML4354 - 120	2(i)	1.50	2.00	900	D2
43	ML4354 - 186	2(j)	1.50	2.00	900	D2
44	ML4354 - 276	2(k)	1.50	2.00	900	D2



TABLE 1(b) - MAXIMUM RATINGS

No.	CHARACTERISTIC	SYMBOL	MAXIMUM RATINGS	UNIT	REMARKS
1	D.C. Reverse Voltage	V_R	- 60	V	Note 1
2	Operating Temperature Range	T_{op}	- 65 to + 150	°C	T_{amb}
3	Storage Temperature Range	T_{stg}	- 65 to + 150	°C	
4	Soldering Temperature	T_{sol}	+ 230	°C	Note 2

NOTES

1. Measured at $I_R = 10\mu A$ and $T_{amb} = +25^\circ C$. For derating at $T_{amb} > +25^\circ C$, see Figure 1.
2. Duration 5 seconds maximum (at a distance of not less than 1.5mm from the body for Variants 10, 11, 21, 22, 32, 33, 43 and 44) and the same termination shall not be resoldered until 3 minutes have elapsed.

FIGURE 1 - PARAMETER DERATING INFORMATION

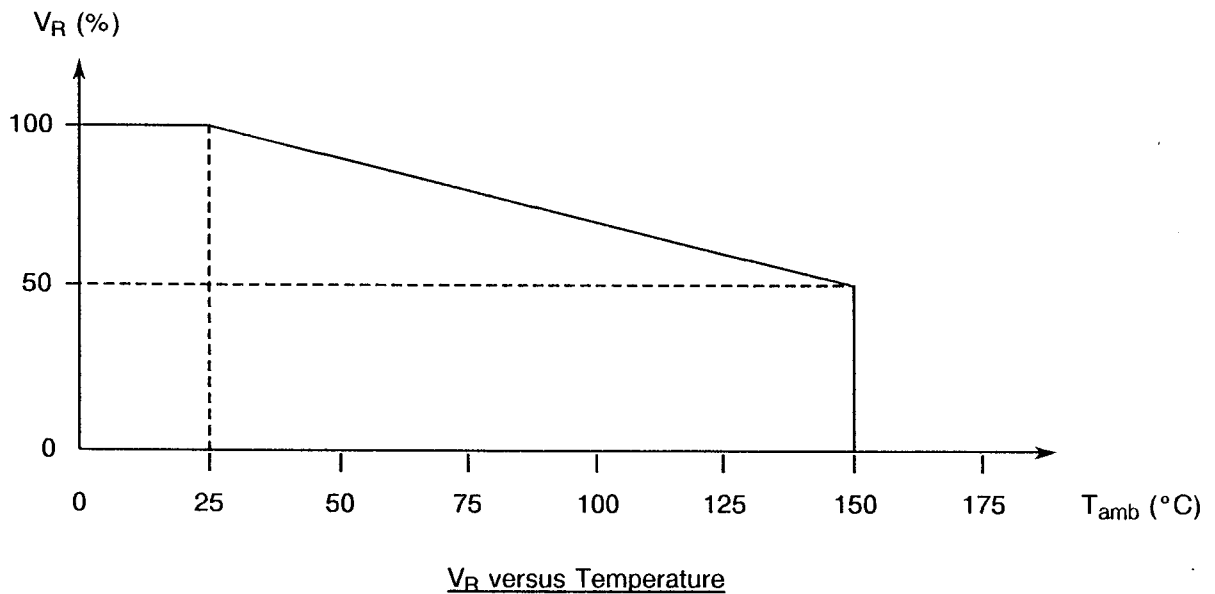




FIGURE 2 - PHYSICAL DIMENSIONS

FIGURE 2(a) - VARIANTS 01, 12, 23, 34

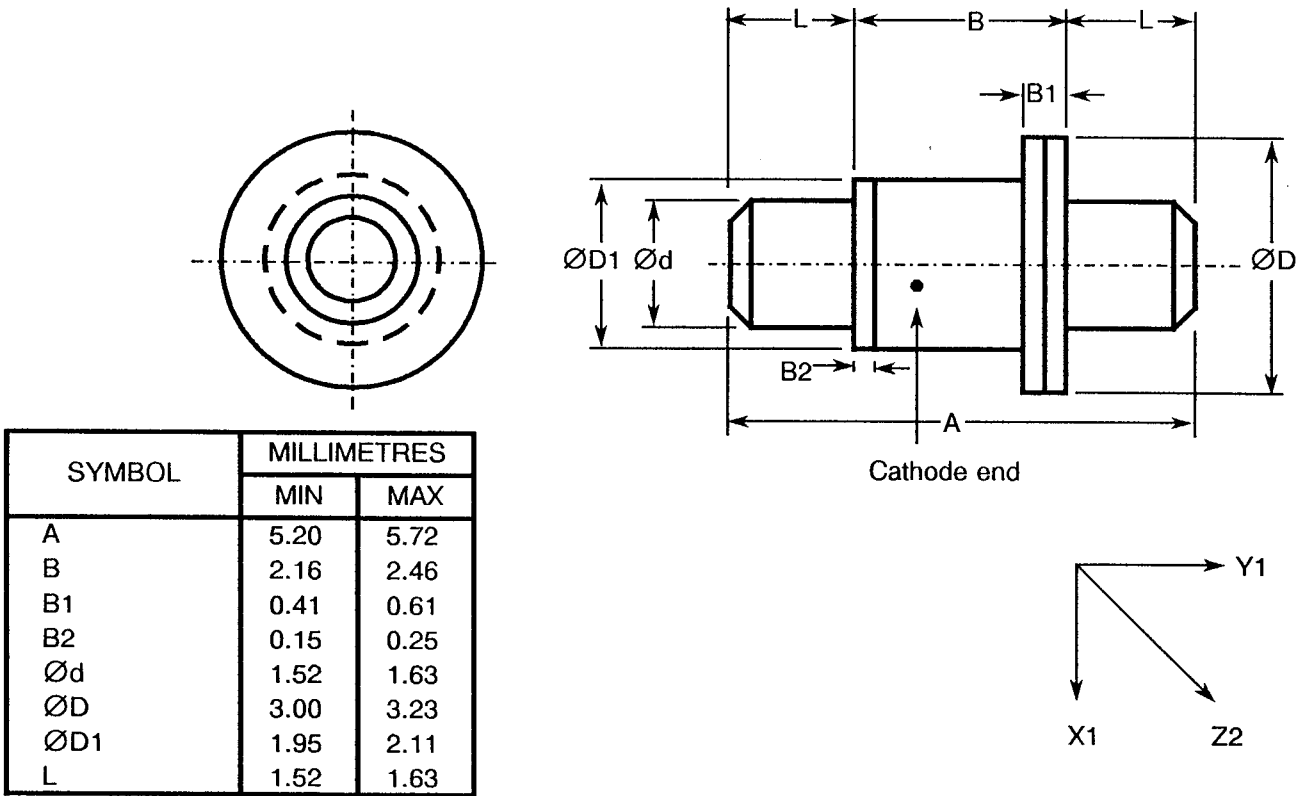


FIGURE 2(b) - VARIANTS 02, 13, 24, 35

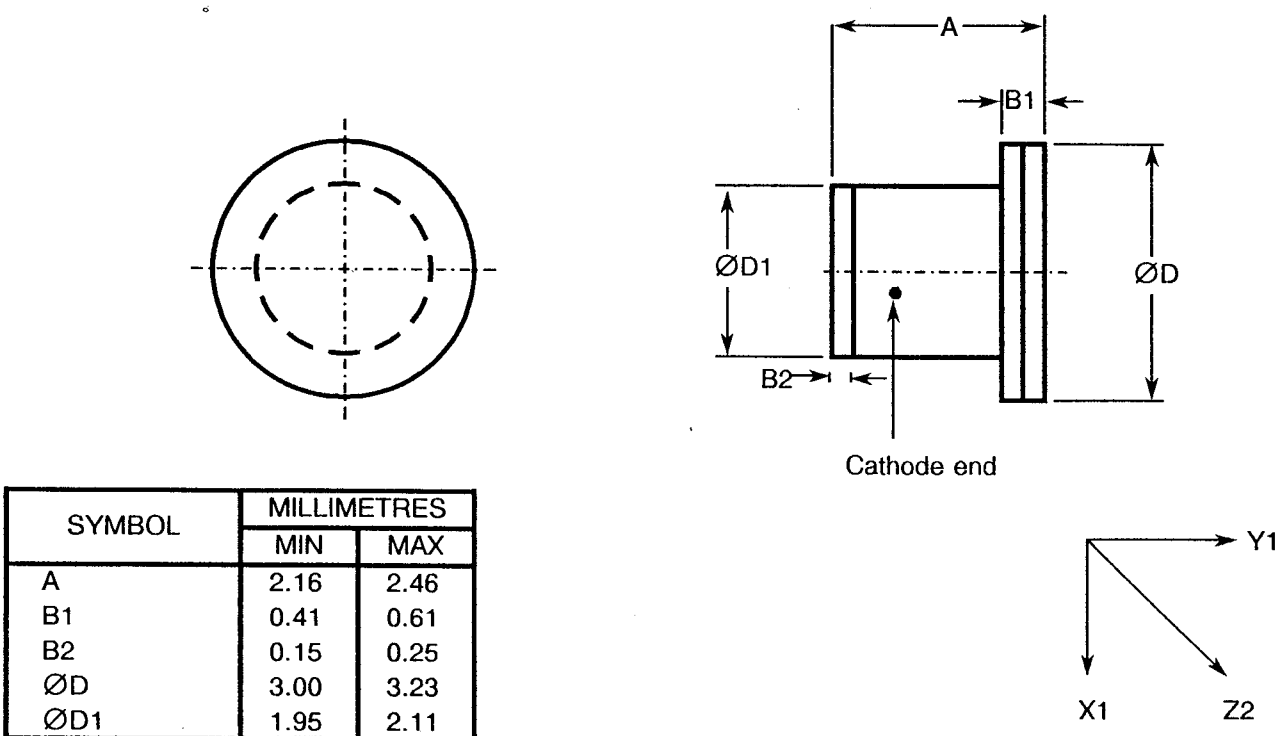
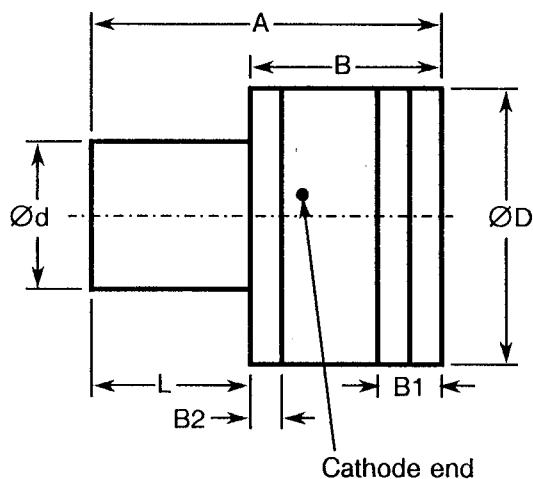
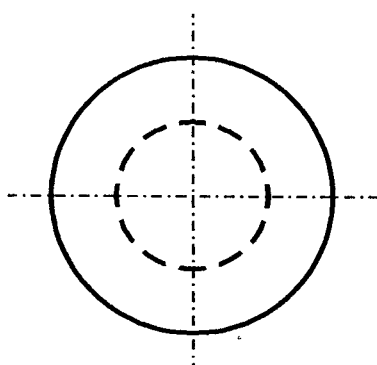




FIGURE 2 - PHYSICAL DIMENSIONS (CONTINUED)

FIGURE 2(c) - VARIANTS 03, 14, 25, 36



SYMBOL	MILLIMETRES	
	MIN	MAX
A	1.41	1.85
B	0.69	1.02
B1	0.30	0.50
B2	0.05	0.13
Ød	0.61	0.66
ØD	1.22	1.32
L	0.74	0.79

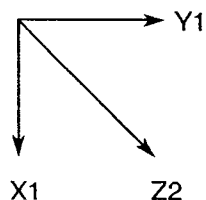
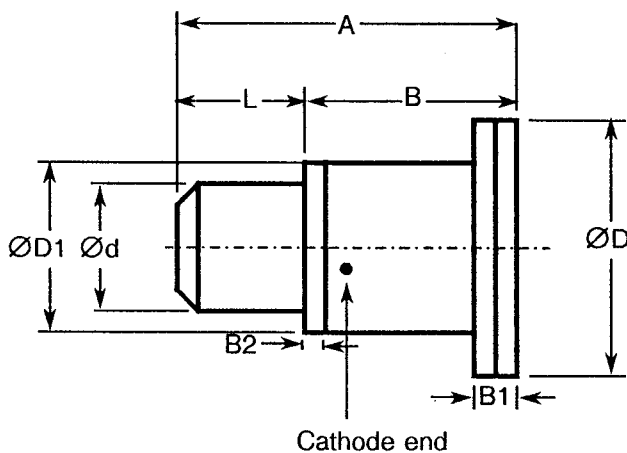
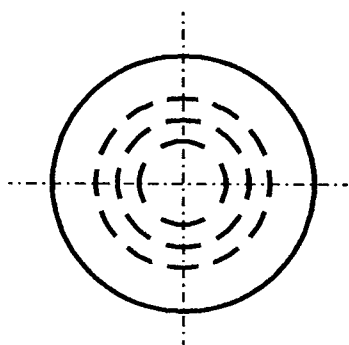


FIGURE 2(d) - VARIANTS 04, 15, 26, 37



SYMBOL	MILLIMETRES	
	MIN	MAX
A	3.60	4.18
B	2.16	2.46
B1	0.41	0.61
B2	0.15	0.25
Ød	1.52	1.63
ØD	3.00	3.23
ØD1	1.95	2.11
L	1.52	1.63

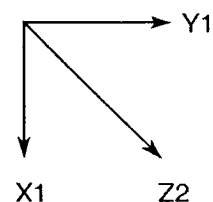
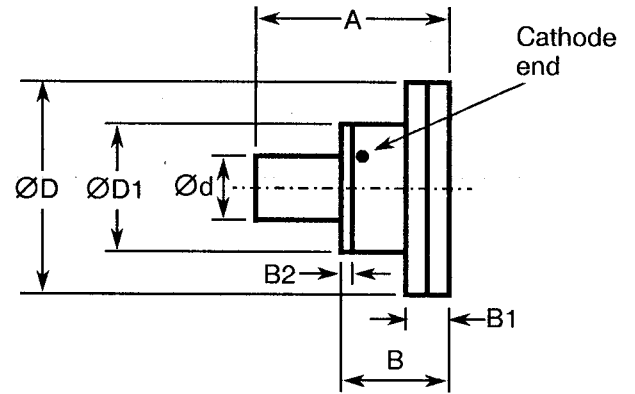
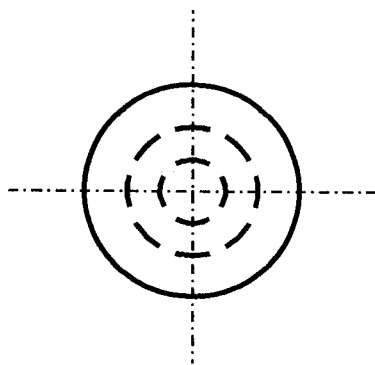




FIGURE 2 - PHYSICAL DIMENSIONS (CONTINUED)

FIGURE 2(e) - VARIANTS 05, 16, 27, 38



SYMBOL	MILLIMETRES	
	MIN	MAX
A	1.78	2.03
B	1.02	1.27
B1	-	0.38
B2	0.10	0.25
Ød	0.61	0.66
ØD	1.98	2.18
ØD1	1.19	1.35

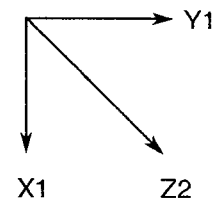
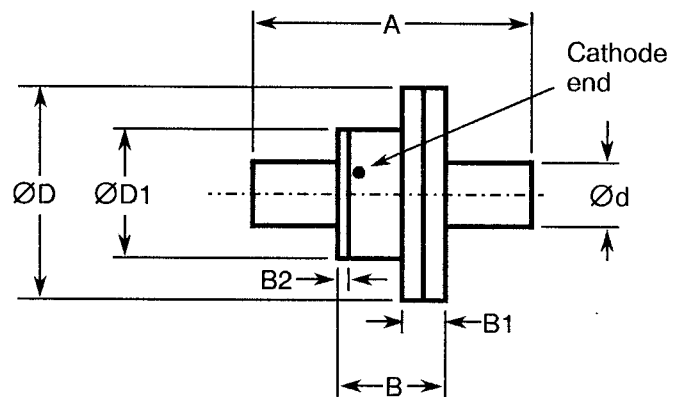
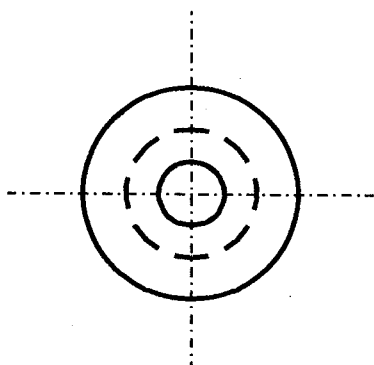


FIGURE 2(f) - VARIANTS 06, 17, 28, 39



SYMBOL	MILLIMETRES	
	MIN	MAX
A	2.54	2.79
B	1.02	1.27
B1	-	0.38
B2	0.10	0.25
Ød	0.61	0.66
ØD	1.98	2.18
ØD1	1.19	1.35

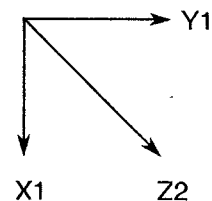




FIGURE 2 - PHYSICAL DIMENSIONS (CONTINUED)

FIGURE 2(g) - VARIANTS 07, 18, 29, 40

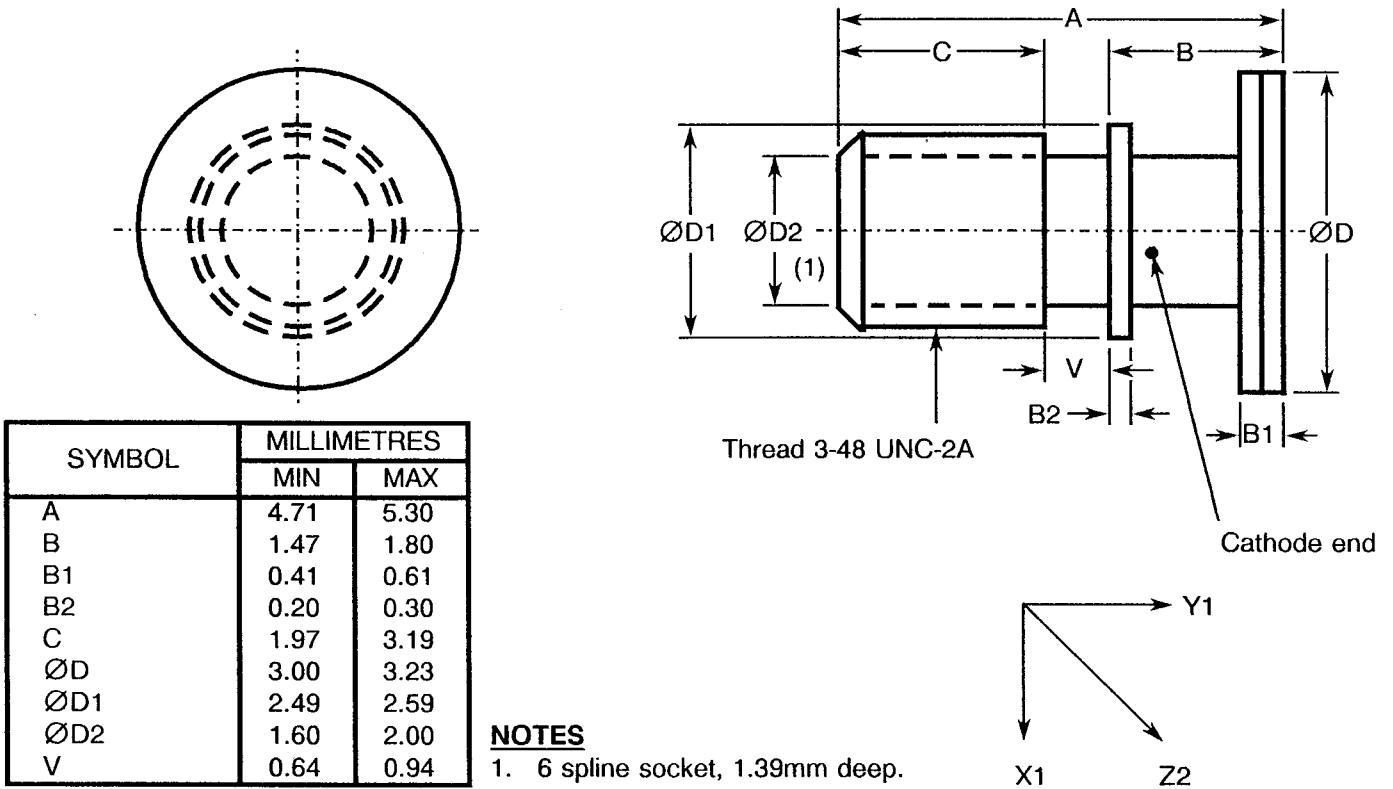


FIGURE 2(h) - VARIANTS 08, 19, 30, 41

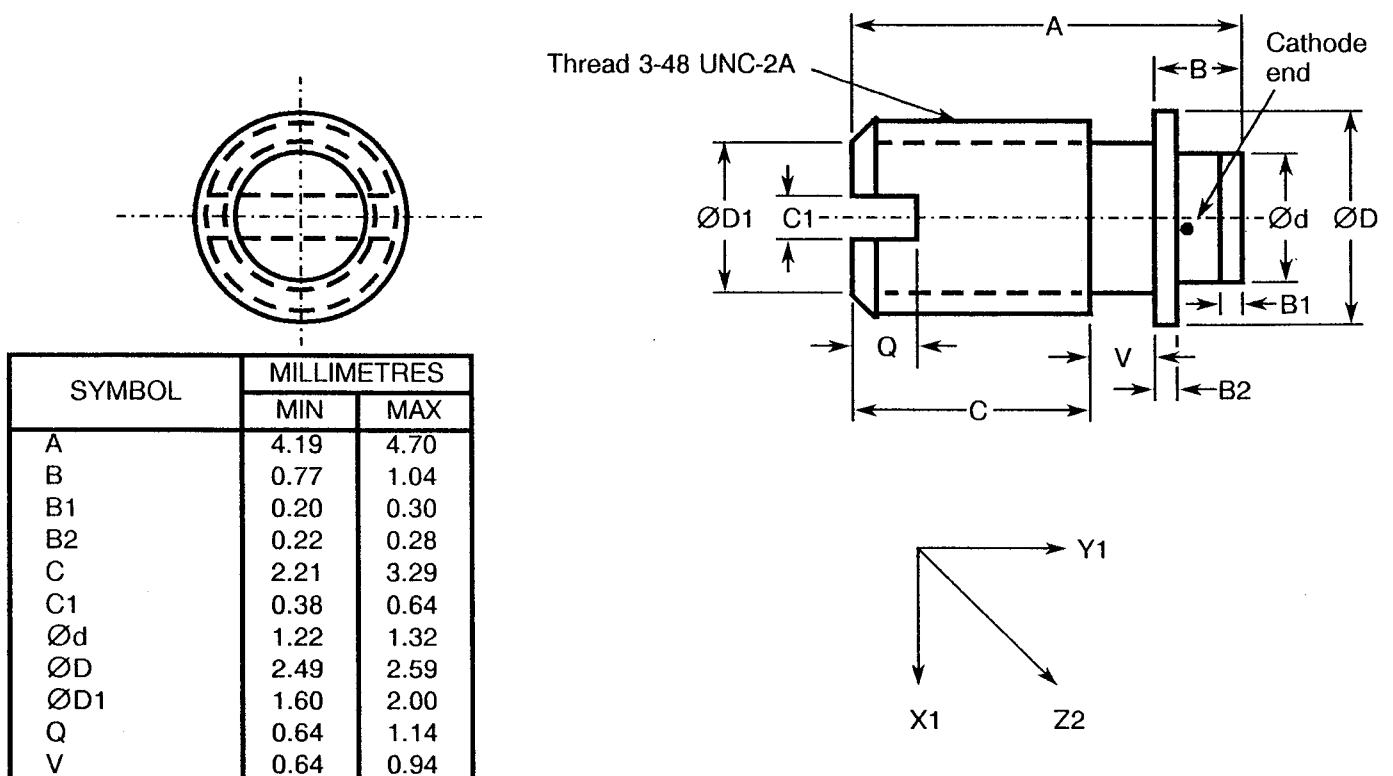
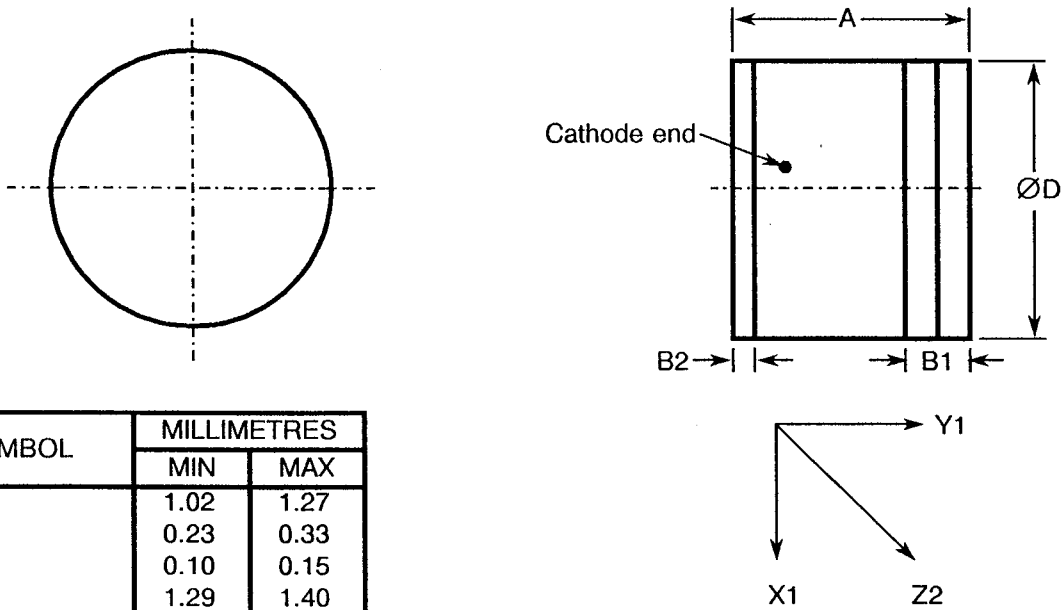
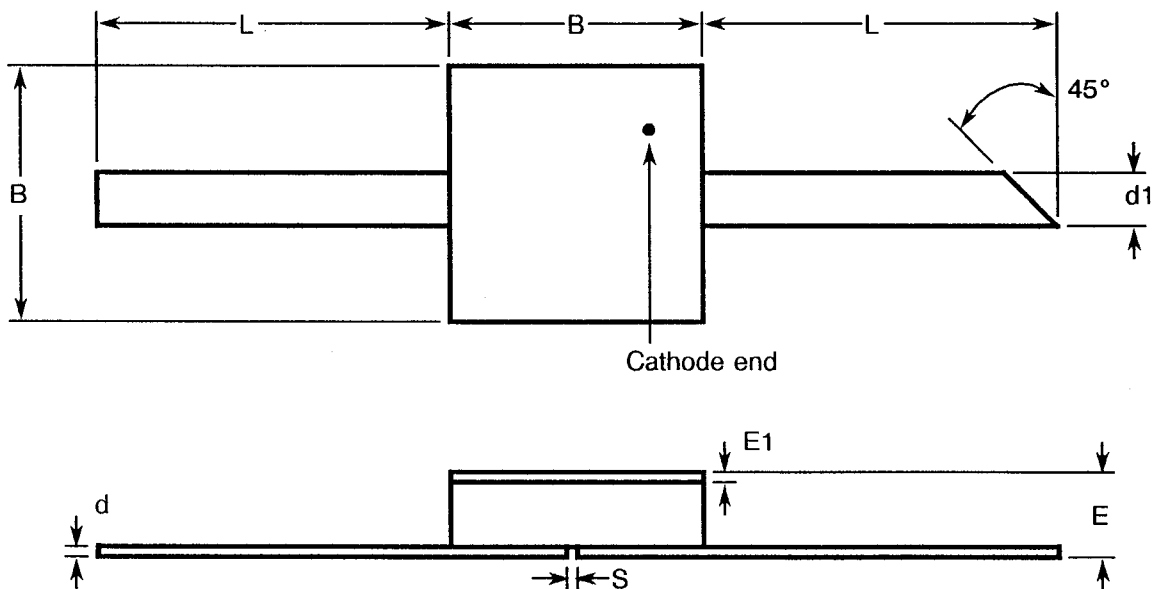


FIGURE 2 - PHYSICAL DIMENSIONS (CONTINUED)
FIGURE 2(i) - VARIANTS 09, 20, 31, 42

FIGURE 2(j) - VARIANTS 10, 21, 32, 43


SYMBOL	MILLIMETRES	
	MIN	MAX
B	2.39	2.62
d	0.07	0.15
d1	0.48	0.56
E	0.79	1.12
E1	0.10	0.18
L	3.30	5.84
S	0.10	-

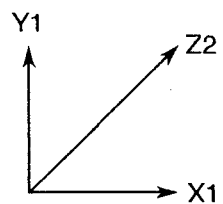
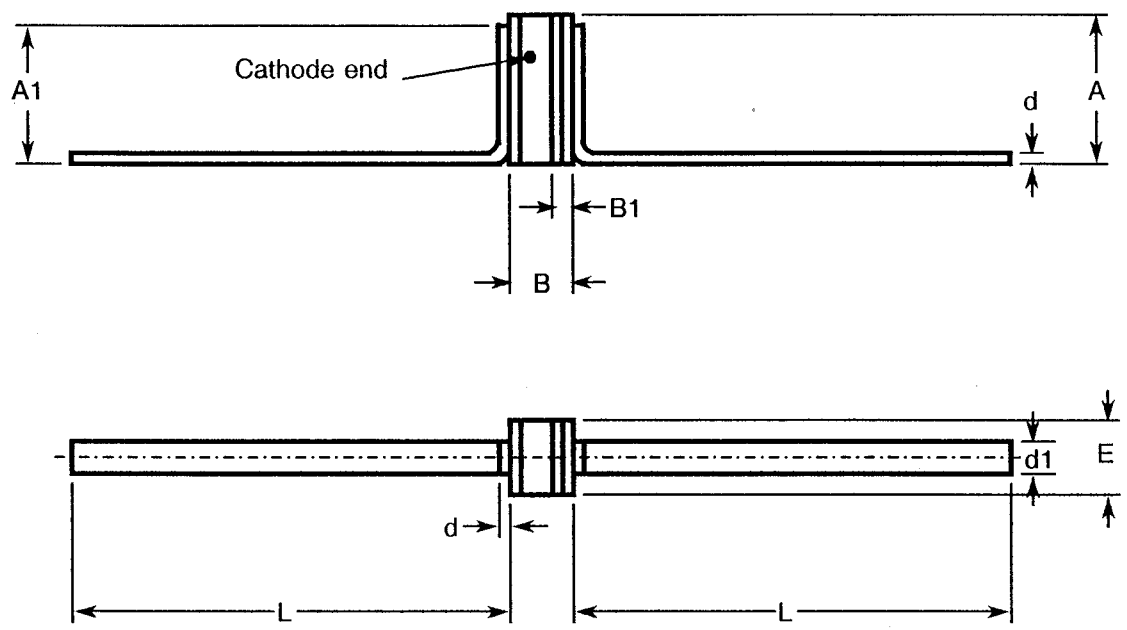


FIGURE 2 - PHYSICAL DIMENSIONS (CONTINUED)

FIGURE 2(k) - VARIANTS 11, 22, 33, 44



SYMBOL	MILLIMETRES	
	MIN	MAX
A	1.35	2.54
A1	-	2.46
B	1.02	1.27
B1	-	0.38
d	0.07	0.15
d1	0.38	0.64
E	1.29	1.40
L	6.10	12.40

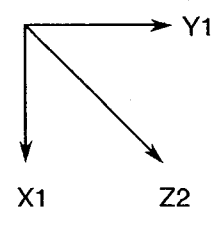
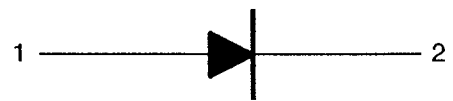




FIGURE 3 - FUNCTIONAL DIAGRAM



- 1. Anode
- 2. Cathode

NOTES

1. The cathode end shall be marked with a black dot or band. The marking will not be on the cathode connection but adjacent to it.

 	<p style="text-align: center;">ESA/SCC Detail Specification No. 5512/006</p>	<p style="text-align: center;">Rev. 'A'</p>	<p>PAGE 15 ISSUE 1</p>
--	--	---	----------------------------

4. REQUIREMENTS

4.1 GENERAL

The complete requirements for procurement of the diodes specified herein shall be as stated in this specification and ESA/SCC Generic Specification No. 5010 for Discrete Microwave Semiconductor Components. Deviations from the Generic Specification applicable to this specification only, are listed in Para. 4.2.

Deviations from the applicable Generic Specification and this Detail Specification, formally agreed with specific Manufacturers on the basis that the alternative requirements are equivalent to the ESA/SCC requirements and do not affect the components' reliability, are listed in the appendices attached to this specification.

4.2 DEVIATIONS FROM GENERIC SPECIFICATION

4.2.1 Deviations from Special In-process Controls

- (a) Para. 5.2.3, Total Dose Irradiation Testing: Shall be performed during qualification and extension of qualification.
- (b) Para. 5.2.3, Total Dose Irradiation Testing: Shall be performed during procurement on a lot acceptance basis at the total dose irradiation level specified in the purchase order.
- (c) Quality Factor Measurement (Q): 3 randomly chosen samples shall be encapsulated in the type of package shown in Figure 2(a) of this specification. After encapsulation, Quality Factor measurements shall be performed using the method shown in Figure 4 of this specification with $V_R = -4.0V$. The limits specified in Table 1(a) of this specification shall be met.

4.2.2 Deviations from Final Production Tests (Chart II)

None.

4.2.3 Deviations from Burn-in and Electrical Measurements (Chart III)

- (a) Para. 9.21, High Temperature Reverse Bias Burn-in: Shall be performed at 50% of rated V_R .

4.2.4 Deviations from Qualification Tests (Chart IV)

- (a) Para. 9.23, Special Testing: Shall not be performed.

4.2.5 Deviations from Lot Acceptance Tests (Chart V)

- (a) Para. 9.23, Special Testing: Shall not be performed.

4.3 MECHANICAL AND ENVIRONMENTAL REQUIREMENTS

4.3.1 Dimension Check

The dimensions of the diodes specified herein shall be checked. They shall conform to those shown in Figure 2.



4.3.2 Weight

The maximum weight of the diodes specified herein shall be:

Variant No.	Weight (g)
01, 12, 23, 34	0.12
02, 13, 24, 35	0.06
03, 14, 25, 36	0.01
04, 15, 26, 37	0.10
05, 16, 27, 38	0.015

Variant No.	Weight (g)
06, 17, 28, 39	0.022
07, 08, 18, 19, 29, 30, 40, 41	0.14
09, 20, 31, 42	0.014
10, 21, 32, 43	0.06
11, 22, 33, 44	0.025

4.3.3 Terminal Strength

The requirements for terminal strength testing are specified in Section 9 of ESA/SCC Generic Specification No. 5010. The test conditions shall be as follows:-

(a) **Condition: 'A' (Tension)**

Variants 10, 21, 32 and 43:

- Force: 5.1N.
- Duration: 5 seconds.

Variants 11, 22, 33 and 44:

- Force: 1.22N.
- Duration: 5 seconds.

(b) **Condition: 'D2' (Stud Torque)**

Variants 07, 18, 29 and 40:

- Torque: 56mNm.
- Duration: 5 seconds.

Variants 08, 19, 30 and 41:

- Torque: 42mNm.
- Duration: 5 seconds.

(c) **Condition: Compression**

Variants 01, 02, 04, 07, 12, 13, 15, 18, 23, 24, 26, 29, 34, 35, 37 and 40:

- Force: 50N.
- Duration: 5 seconds.

Variants 03, 05, 06, 08, 09, 14, 16, 17, 19, 20, 25, 27, 28, 30, 31, 36, 38, 39, 41 and 42:

- Force: 10N.
- Duration: 5 seconds.

The compression test shall be performed by applying the specified force to the end-cap by means of a suitable weight applied for the specified time. On completion of the test, a visual examination shall be performed to check for damage to the end-cap or the ceramic body.



4.4 MATERIALS AND FINISHES

The materials and finishes shall be as specified herein. Where a definite material is not specified, a material which will enable the diodes specified herein to meet the performance requirements of this specification shall be used. Acceptance or approval of any constituent material shall not guarantee acceptance of the finished product.

4.4.1 Case

The case shall be hermetically sealed and have a ceramic body. The lid shall be brazed, welded or preform soldered.

4.4.2 Lead Materials and Finish

- (a) For Variants 01, 02, 04, 05, 06, 07, 12, 13, 15, 16, 17, 18, 23, 24, 26, 27, 28, 29, 34, 35, 37, 38, 39 and 40, the body material shall be Type 'A' with Type '7' finish and the lid material shall be Type 'D' with Type '2' finish, in accordance with the requirements of ESA/SCC Basic Specification No. 23500.
- (b) For Variants 03, 08, 14, 19, 25, 30, 36 and 41, the lead material shall be Type 'A' with Type '7' finish in accordance with the requirements of ESA/SCC Basic Specification No. 23500.
- (c) For Variants 09, 10, 11, 20, 21, 22, 31, 32, 33, 42, 43 and 44, the lead material shall be Type 'D' with Type '2' finish in accordance with the requirements of ESA/SCC Basic Specification No. 23500.

4.5 MARKING

4.5.1 General

The marking of components delivered to this specification shall be in accordance with the requirements of ESA/SCC Basic Specification No. 21700 and the following paragraphs. When the component is too small to accommodate all of the marking specified, as much as space permits shall be marked and the marking information, in full, shall accompany the component in its primary package.

The information to be marked and the order of precedence, shall be as follows:-

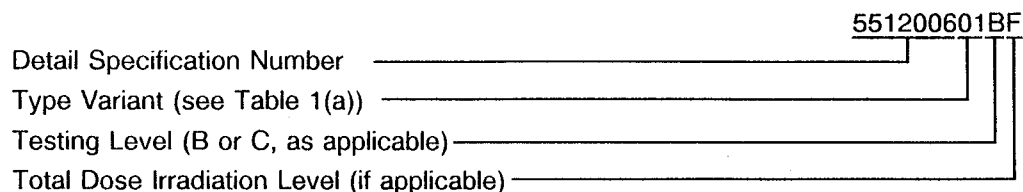
- (a) Cathode Identification.
- (b) The SCC Component Number.
- (c) Traceability Information.

4.5.2 Cathode Identification

Cathode identification shall be as shown in Figures 2 and 3 of this specification.

4.5.3 The SCC Component Number

Each component shall bear the SCC Component Number which shall be constituted and marked as follows:



The Total Dose Irradiation Level designation shall be added for those devices for which a sample has been successfully tested to the level in question. For these devices, a code letter shall be added in accordance with the requirements of ESA/SCC Basic Specification No. 22900.



4.5.4 Traceability Information

Each component shall be marked in respect of traceability information as defined in ESA/SCC Basic Specification No. 21700.

4.6 ELECTRICAL MEASUREMENTS

4.6.1 Electrical Measurements at Room Temperature

The parameters to be measured at room temperature are scheduled in Table 2. Unless otherwise specified, the measurements shall be performed at $T_{amb} = +22 \pm 3$ °C.

4.6.2 Electrical Measurements at High and Low Temperatures

The parameters to be measured at high and low temperatures are scheduled in Table 3. Unless otherwise specified, the measurements shall be performed at $T_{amb} = +150(+0 - 3)$ °C.

4.6.3 Circuits for Electrical Measurements

A circuit for use in performing the quality factor measurement is shown in Figure 4.

4.7 BURN-IN TESTS

Burn-in shall be Category 1 of Chart III(a).

4.7.1 Parameter Drift Values

The parameter drift values applicable to burn-in are specified in Table 4 of this specification. Unless otherwise stated, the measurements shall be performed at $T_{amb} = +22 \pm 3$ °C. The parameter drift values (Δ) applicable to the scheduled parameters shall not be exceeded. In addition to these drift value requirements for a given parameter, the appropriate limit value specified in Table 2 shall not be exceeded.

4.7.2 Conditions for High Temperature Reverse Bias Burn-in

The requirements for the high temperature reverse bias burn-in are specified in Section 7 of ESA/SCC Generic Specification No. 5010. The conditions for high temperature reverse bias burn-in shall be as specified in Table 5(a) of this specification.

4.7.3 Conditions for Power Burn-in

The requirements for power burn-in are specified in Section 7 of ESA/SCC Generic Specification No. 5010. The conditions for power burn-in shall be as specified in Table 5(b) of this specification.

4.7.4 Electrical Circuits for High Temperature Reverse Bias and Power Burn-in

Circuits for use in performing the H.T.R.B and power burn-in tests are shown in Figures 5(a) and 5(b) of this specification.

**TABLE 2 - ELECTRICAL MEASUREMENTS AT ROOM TEMPERATURE - D.C. PARAMETERS**

No.	CHARACTERISTICS	SYMBOL	MIL-STD-750 TEST METHOD	TEST CONDITIONS	LIMITS		UNIT
					MIN.	MAX.	
1	Reverse Current 1	I_{R1}	4016	$V_R = -60V$	-	10	μA
2	Reverse Current 2	I_{R2}	4016	$V_R = -30V$	-	50	nA
3	Forward Voltage	V_F	4011	$I_F = 100mA$	-	1.0	V

TABLE 2 - ELECTRICAL MEASUREMENTS AT ROOM TEMPERATURE - A.C. PARAMETERS

No.	CHARACTERISTICS	SYMBOL	MIL-STD-750 TEST METHOD	TEST CONDITIONS	LIMITS		UNIT
					MIN.	MAX.	
4	Total Capacitance	C_T	4001	$V_R = -4.0V$ $f = 1.0MHz$	Note 1		pF
5	Total Capacitance Ratio	-	4001	$V_R = 0V$ $V_R = -60V$ $f = 1.0MHz$ Note 2 Variants 01 to 11 Variants 12 to 22 Variants 23 to 33 Variants 34 to 44	3.5 4.2 4.5 5.5	- - - -	

NOTES

1. See Column 4 of Table 1(a).

$$2. \text{Ratio} = \frac{C_T \text{ at } V_R = 0V}{C_T \text{ at } V_R = -60V}$$

**TABLE 3 - ELECTRICAL MEASUREMENTS AT HIGH AND LOW TEMPERATURES**

No.	CHARACTERISTICS	SYMBOL	SPEC.AND/OR TEST METHOD	TEST CONDITIONS	LIMITS		UNIT
					MIN.	MAX.	
2	Reverse Current 2	I_{R2}	As per Table 2	As per Table 2	-	10	μ A

TABLE 4 - PARAMETER DRIFT VALUES

No.	CHARACTERISTICS	SYMBOL	SPEC.AND/OR TEST METHOD	TEST CONDITIONS	CHANGE LIMITS (Δ)	UNIT
2	Reverse Current 2	I_{R2}	As per Table 2	As per Table 2	± 10 (1) or (2) ± 100 (1)	nA %
3	Forward Voltage	V_F	As per Table 2	As per Table 2	± 100 (1)	mV

NOTES

1. $\Delta 1 = \Delta 2$.
2. Whichever is the greater, referred to the initial measurement.



FIGURE 4 - CIRCUITS FOR ELECTRICAL MEASUREMENTS

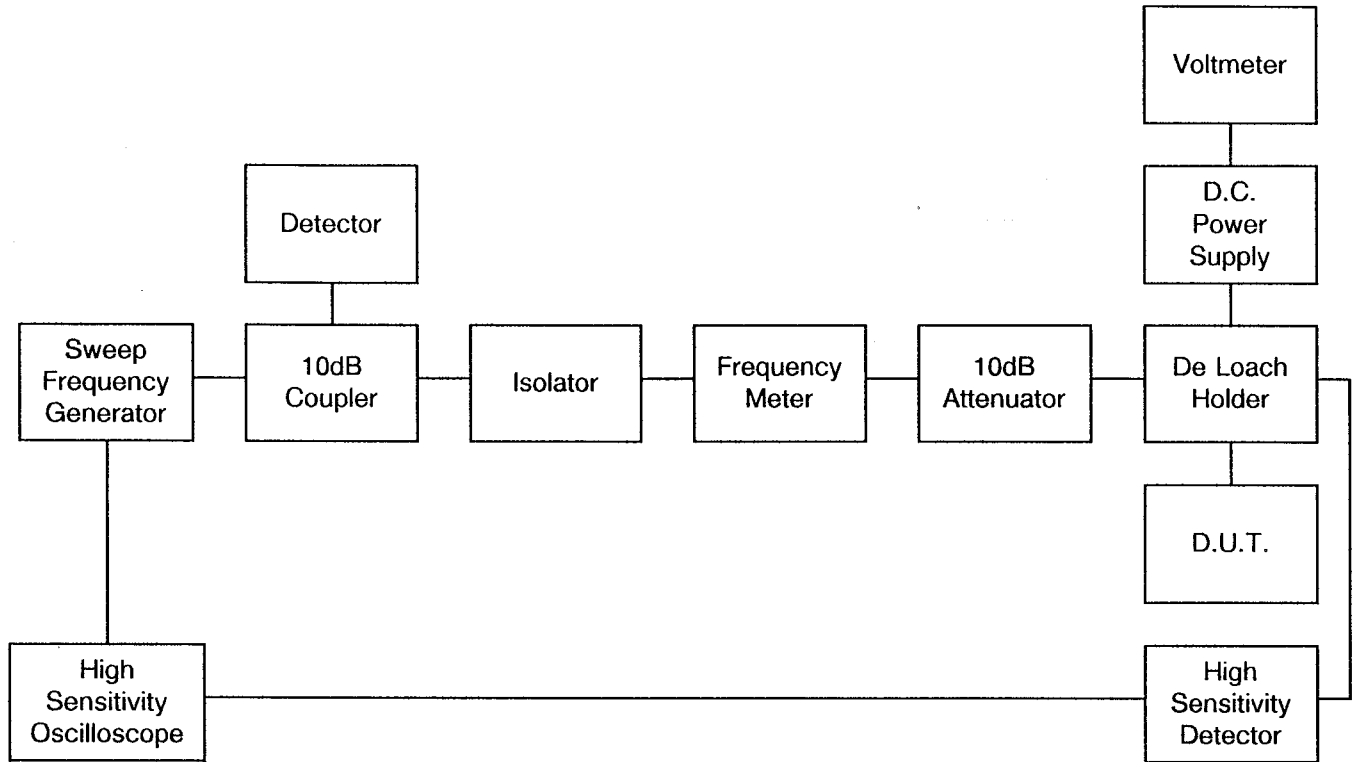


TABLE 5(a) - CONDITIONS FOR HIGH TEMPERATURE REVERSE BIAS BURN-IN AND OPERATING LIFE TESTS

No.	CHARACTERISTICS	SYMBOL	CONDITIONS	UNIT
1	Ambient Temperature	T_{amb}	+ 150(+ 0 - 3)	°C
2	Reverse Voltage	V_R	- 30	V

TABLE 5(b) - CONDITIONS FOR POWER BURN-IN

No.	CHARACTERISTICS	SYMBOL	CONDITIONS	UNIT
1	Ambient Temperature	T_{amb}	+ 125(+ 0 - 3)	°C
2	Forward Current	I_F	25	mA

FIGURE 5(a) - ELECTRICAL CIRCUIT FOR HIGH TEMPERATURE REVERSE BIAS BURN-IN AND OPERATING LIFE TESTS

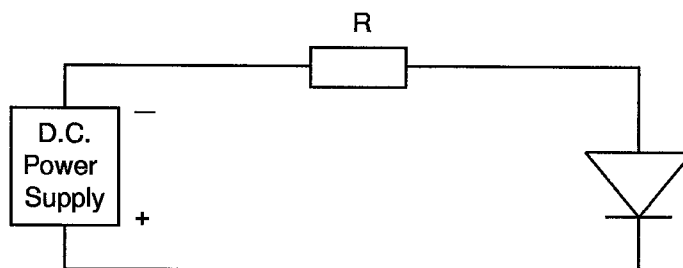
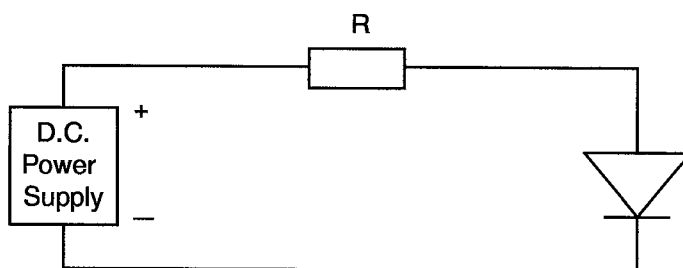




FIGURE 5(b) - ELECTRICAL CIRCUIT FOR POWER BURN-IN



 	<p style="text-align: center;">ESA/SCC Detail Specification No. 5512/006</p>	<p style="text-align: center;">Rev. 'A'</p>	<p style="text-align: center;">PAGE 23 ISSUE 1</p>
--	--	---	--

4.8 ENVIRONMENTAL AND ENDURANCE TESTS (CHARTS IV AND V OF ESA/SCC GENERIC SPECIFICATION NO. 5010)

4.8.1 Electrical Measurements on Completion of Environmental Tests

The parameters to be measured on completion of environmental tests are scheduled in Table 2. Unless otherwise stated, the measurements shall be performed at $T_{amb} = +22 \pm 3$ °C.

4.8.2 Electrical Measurements at Intermediate Points and on Completion of Endurance Tests

The parameters to be measured at intermediate points and on completion of endurance tests are scheduled in Table 6. Unless otherwise stated, the measurements shall be performed at $T_{amb} = +22 \pm 3$ °C.

4.8.3 Conditions for Operating Life Tests (Part of Endurance Testing)

The requirements for operating life testing are specified in Section 9 of ESA/SCC Generic Specification No. 5010. The conditions for operating life testing are specified in Table 5(a) of this specification.

4.8.4 Electrical Circuits for Operating Life Tests

The circuit to be used for performance of the operating life test shall be the same as shown in Figure 5(a) for High Temperature Reverse Bias Burn-in.

4.9 TOTAL DOSE IRRADIATION TESTING

4.9.1 Application

If specified in Para. 4.2.1 of this specification, total dose irradiation testing shall be performed in accordance with the requirements of ESA/SCC Basic Specification No. 22900.

4.9.2 Bias Conditions

Continuous bias shall be applied during irradiation testing as shown in Figure 6 of this specification.

4.9.3 Electrical Measurements

The parameters to be measured prior to irradiation exposure are scheduled in Table 2 of this specification. Only devices which meet the requirements of Table 2 shall be included in the test sample.

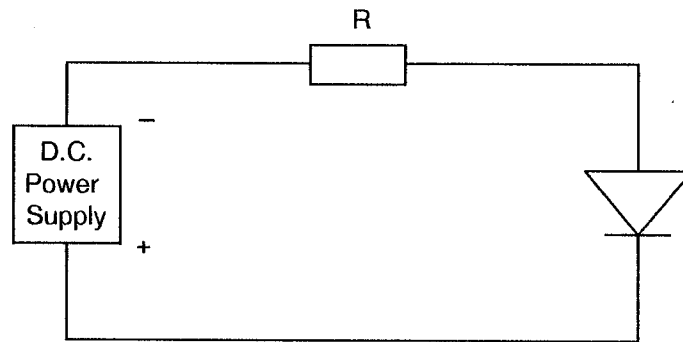
The parameters to be measured during and on completion of irradiation testing are scheduled in Table 7 of this specification.

4.10 SPECIAL TESTING

Not applicable.

**TABLE 6 - ELECTRICAL MEASUREMENTS AT INTERMEDIATE POINTS AND ON COMPLETION OF ENDURANCE TESTING**

No.	CHARACTERISTICS	SYMBOL	SPEC. AND/OR TEST METHOD	TEST CONDITIONS	LIMITS		UNIT
					MIN.	MAX.	
1	Reverse Current 1	I_{R1}	As per Table 2	As per Table 2	As per Table 2		μA
2	Reverse Current 2	I_{R2}	As per Table 2	As per Table 2	As per Table 2		nA
3	Forward Voltage	V_F	As per Table 2	As per Table 2	As per Table 2		V
4	Total Capacitance	C_T	As per Table 2	As per Table 2	As per Table 2		pF

FIGURE 6 - BIAS CONDITIONS FOR IRRADIATION TESTING**NOTES**

1. A reverse bias of $V_R = -30\text{V}$, shall be applied.

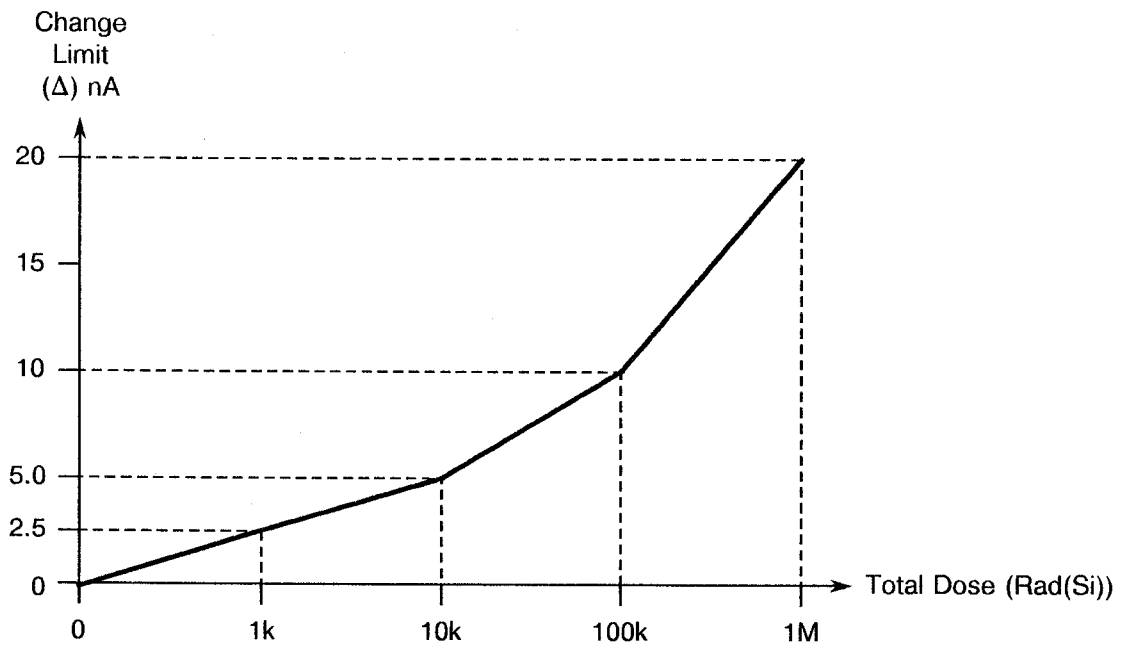


TABLE 7 - ELECTRICAL MEASUREMENTS DURING AND ON COMPLETION OF IRRADIATION TESTING

No.	CHARACTERISTICS	SYMBOL	SPEC. AND/OR TEST METHOD	TEST CONDITIONS	CHANGE LIMITS (Δ)	UNIT
2	Reverse Current 2	I_{R2}	As per Table 2	As per Table 2	Note 1	nA

NOTES

1. The graph given below shall be used to determine the maximum permitted change.





SCC

ESA/SCC Detail Specification
No. 5512/006

PAGE 26

ISSUE 1

APPENDIX 'A'

Page 1 of 1

AGREED DEVIATIONS FOR M/A-Com LTD. (G.B.)

ITEMS AFFECTED	DESCRIPTION OF DEVIATIONS
Para. 4.2.2	Para. 9.4, "High Temperature Stabilisation Bake": May be performed at +150(+0-3) °C.