



Page 1 of 31

**DIODES, MICROWAVE, SILICON,
TUNING VARACTOR
BASED ON TYPES ML4310 THRU ML4319
ESCC Detail Specification No. 5512/003**

Issue 2	March 2013
---------	------------



Document Custodian: European Space Agency – see <https://escies.org>

LEGAL DISCLAIMER AND COPYRIGHT

European Space Agency, Copyright © 2013. All rights reserved.

The European Space Agency disclaims any liability or responsibility, to any person or entity, with respect to any loss or damage caused, or alleged to be caused, directly by the use and application of this ESCC publication.

This publication, without prior permission of the European Space Agency and provided it is not used for a commercial purpose, may be:

- copied in whole, in any medium, without alteration or modification.
- copied in part, in any medium, provided that the ESCC document identification, comprising the ESCC symbol, document number and document issue, is removed.

DOCUMENTATION CHANGE NOTICE

(Refer to <https://escies.org> for ESCC DCR content)

DCR No.	CHANGE DESCRIPTION
772	Specification upissued to incorporate editorial changes per DCR.

TABLE OF CONTENTS

1	GENERAL	6
1.1	SCOPE	6
1.2	TYPE VARIANTS	6
1.3	MAXIMUM RATINGS	6
1.4	PARAMETER DERATING INFORMATION	6
1.5	PHYSICAL DIMENSIONS	6
1.6	PHYSICAL DIMENSIONS	6
1.7	FUNCTIONAL DIAGRAM	6
1.8	HANDLING PRECAUTIONS	6
2	APPLICABLE DOCUMENTS	6
3	TERMS, DEFINITIONS, ABBREVIATIONS, SYMBOLS AND UNITS	7
4	REQUIREMENTS	22
4.1	GENERAL	22
4.2	DEVIATIONS FROM GENERIC SPECIFICATION	22
4.2.1	Deviations from Special In-process Controls	22
4.2.2	Deviations from Final Production Tests (Chart II)	22
4.2.3	Deviations from Burn-in and Electrical Measurements (Chart III)	22
4.2.4	Deviations from Qualification Tests (Chart IV)	22
4.2.5	Deviations from Lot Acceptance Tests (Chart V)	22
4.3	MECHANICAL AND ENVIRONMENTAL REQUIREMENTS	23
4.3.1	Dimension Check	23
4.3.2	Weight	23
4.3.3	Terminal Strength	23
4.4	MATERIALS AND FINISHES	24
4.4.1	Case	24
4.4.2	Lead Materials and Finish	24
4.5	MARKING	24
4.5.1	General	24
4.5.2	Cathode Identification	24
4.5.3	The ESCC Component Number	24
4.5.4	Traceability Information	25
4.6	ELECTRICAL MEASUREMENTS	25
4.6.1	Electrical Measurements at Room Temperature	25
4.6.2	Electrical Measurements at High and Low Temperatures	25
4.6.3	Circuits for Electrical Measurements	25

4.7	BURN-IN TESTS	25
4.7.1	Parameter Drift Values	25
4.7.2	Conditions for High Temperature Reverse Bias Burn-in	25
4.7.3	Conditions for Power Burn-in	25
4.7.4	Electrical Circuits for High Temperature Reverse Bias and Power Burn-in	25
4.8	ENVIRONMENTAL AND ENDURANCE TESTS (CHARTS IV AND V OF ESCC GENERIC SPECIFICATION NO. 5010)	28
4.8.1	Electrical Measurements on Completion of Environmental Tests	28
4.8.2	Electrical Measurements at Intermediate Points and on Completion of Endurance Tests	28
4.8.3	Conditions for Operating Life Tests (Part of Endurance Testing)	28
4.8.4	Electrical Circuits for Operating Life Tests	28
4.9	TOTAL DOSE IRRADIATION TESTING	28
4.9.1	Application	28
4.9.2	Bias Conditions	28
4.9.3	Electrical Measurements	28
4.10	SPECIAL TESTING	29
	APPENDIX 'A'	31

1 GENERAL

1.1 SCOPE

This specification details the ratings, physical and electrical characteristics, test and inspection data for a Diode, Microwave, Silicon, Tuning Varactor, based on Types ML4310 thru ML4319. It shall be read in conjunction with ESCC Generic Specification No. 5010, the requirements of which are supplemented herein.

1.2 TYPE VARIANTS

Variants of the basic diodes specified herein, which are also covered by this specification are given in Table 1(a).

1.3 MAXIMUM RATINGS

The maximum ratings, which shall not be exceeded at any time during use or storage, applicable to the diodes specified herein, are as scheduled in Table 1(b).

1.4 PARAMETER DERATING INFORMATION

The derating information applicable to the diodes specified herein is shown in Figure 1.

1.5 PHYSICAL DIMENSIONS

The physical dimensions of the diodes specified herein are shown in Figure 2.

1.6 PHYSICAL DIMENSIONS

The physical dimensions of the diodes specified herein are shown in Figure 2.

1.7 FUNCTIONAL DIAGRAM

The functional diagram, showing lead identification, of the diodes specified herein, is shown in Figure 3.

1.8 HANDLING PRECAUTIONS

These devices are susceptible to damage by electrostatic discharge. Therefore, suitable precautions shall be employed for protection during all phases of manufacture, testing, packaging, shipment and any handling.

These components are Categorised as Class 2 with a Minimum Critical Path Failure Voltage of 3400V.

2 APPLICABLE DOCUMENTS

The following documents form part of this specification and shall be read in conjunction with it:

- (a) ESCC Generic Specification No. 5010 for Discrete Microwave Semiconductor Components.

3 TERMS, DEFINITIONS, ABBREVIATIONS, SYMBOLS AND UNITS

For the purpose of this specification, the terms, definitions, abbreviations, symbols and units specified in ESCC Basic Specification No. 21300 shall apply.

TABLE 1(a) – TYPE VARIANTS

(1) Variant	(2) Based On Type	(3) Figure	(4) Total Capacitance C_T (pF)		(5) Quality Factor (Q) (Minimum)	(6) Body-Lid And Lead Material And Finish
			Min	Max		
01	ML4310 - 30	2(a)	0.4	0.6	2750	A7-D2
02	ML4310 - 31	2(b)	0.4	0.6	2750	A7-D2
03	ML4310 - 33	2(c)	0.46	0.66	2750	A7
04	ML4310 - 36	2(d)	0.4	0.6	2750	A7-D2
05	ML4310 - 96	2(e)	0.35	0.55	2750	A7-D2
06	ML4310 - 97	2(f)	0.37	0.57	2750	A7-D2
07	ML4310 - 103	2(g)	0.50	0.70	2750	A7-D2
08	ML4310 - 118	2(h)	0.44	0.64	2750	A7
09	ML4310 - 120	2(i)	0.35	0.55	2750	D2
10	ML4310 - 186	2(j)	0.35	0.55	2750	D2
11	ML4310 - 276	2(k)	0.35	0.55	2750	D2
12	ML4311 - 30	2(a)	0.56	0.84	2500	A7-D2
13	ML4311 - 31	2(b)	0.56	0.84	2500	A7-D2
14	ML4311 - 33	2(c)	0.61	0.89	2500	A7
15	ML4311 - 36	2(d)	0.56	0.84	2500	A7-D2
16	ML4311 - 96	2(e)	0.53	0.81	2500	A7-D2
17	ML4311 - 97	2(f)	0.53	0.81	2500	A7-D2
18	ML4311 - 103	2(g)	0.66	0.94	2500	A7-D2
19	ML4311 - 118	2(h)	0.6	0.88	2500	A7
20	ML4311 - 120	2(i)	0.51	0.79	2500	D2
21	ML4311 - 186	2(j)	0.51	0.79	2500	D2
22	ML4311 - 276	2(k)	0.51	0.79	2500	D2
23	ML4312 - 30	2(a)	0.76	1.06	2500	A7-D2
24	ML4312 - 31	2(b)	0.76	1.06	2500	A7-D2
25	ML4312 - 33	2(c)	0.81	1.11	2500	A7
26	ML4312 - 36	2(d)	0.76	1.06	2500	A7-D2
27	ML4312 - 96	2(e)	0.73	1.03	2500	A7-D2
28	ML4312 - 97	2(f)	0.73	1.03	2500	A7-D2
29	ML4312 - 103	2(g)	0.86	1.16	2500	A7-D2
30	ML4312 - 118	2(h)	0.8	1.1	2500	A7
31	ML4312 - 120	2(i)	0.71	1.01	2500	D2
32	ML4312 - 186	2(j)	0.71	1.01	2500	D2
33	ML4312 - 276	2(k)	0.71	1.01	2500	D2
34	ML4313 - 30	2(a)	1	1.4	2400	A7-D2
35	ML4313 - 31	2(b)	1	1.4	2400	A7-D2
36	ML4313 - 33	2(c)	1.05	1.45	2400	A7

(1) Variant	(2) Based On Type	(3) Figure	(4) Total Capacitance C_T (pF)		(5) Quality Factor (Q) (Minimum)	(6) Body-Lid And Lead Material And Finish
			Min	Max		
37	ML4313 - 36	2(d)	1	1.40	2400	A7-D2
38	ML4313 - 96	2(e)	0.97	1.37	2400	A7-D2
39	ML4313 - 97	2(f)	0.97	1.37	2400	A7-D2
40	ML4313 - 103	2(g)	1.1	1.5	2400	A7-D2
41	ML4313 - 118	2(h)	1.04	1.44	2400	A7
42	ML4313 - 120	2(i)	0.95	1.35	2400	D2
43	ML4313 - 186	2(j)	0.95	1.35	2400	D2
44	ML4313 - 276	2(k)	0.95	1.35	2400	D2
45	ML4314 - 30	2(a)	1.55	2.05	2250	A7-D2
46	ML4314 - 31	2(b)	1.55	2.05	2250	A7-D2
47	ML4314 - 33	2(c)	1.6	2.1	2250	A7
48	ML4314 - 36	2(d)	1.55	2.05	2250	A7-D2
49	ML4314 - 96	2(e)	1.52	2.02	2250	A7-D2
50	ML4314 - 97	2(f)	1.52	2.02	2250	A7-D2
51	ML4314 - 103	2(g)	1.65	2.15	2250	A7-D2
52	ML4314 - 118	2(h)	1.59	2.09	2250	A7
53	ML4314 - 120	2(i)	1.5	2	2250	D2
54	ML4314 - 186	2(j)	1.5	2	2250	D2
55	ML4314 - 276	2(k)	1.5	2	2250	D2
56	ML4315 - 30	2(a)	1.9	2.5	2000	A7-D2
57	ML4315 - 31	2(b)	1.9	2.5	2000	A7-D2
58	ML4315 - 33	2(c)	1.95	2.55	2000	A7
59	ML4315 - 36	2(d)	1.9	2.5	2000	A7-D2
60	ML4315 - 96	2(e)	1.87	2.47	2000	A7-D2
61	ML4315 - 97	2(f)	1.87	2.47	2000	A7-D2
62	ML4315 - 103	2(g)	2	2.6	2000	A7-D2
63	ML4315 - 118	2(h)	1.94	2.54	2000	A7
64	ML4315 - 120	2(i)	1.85	2.45	2000	D2
65	ML4315 - 186	2(j)	1.85	2.45	2000	D2
66	ML4315 - 276	2(k)	1.85	2.45	2000	D2
67	ML4316 - 30	2(a)	2.3	3.1	2000	A7-D2
68	ML4316 - 31	2(b)	2.3	3.1	2000	A7-D2
69	ML4316 - 33	2(c)	2.35	3.15	2000	A7
70	ML4316 - 36	2(d)	2.29	3.09	2000	A7-D2
71	ML4316 - 96	2(e)	2.27	3.07	2000	A7-D2
72	ML4316 - 97	2(f)	2.27	3.07	2000	A7-D2
73	ML4316 - 103	2(g)	2.4	3.2	2000	A7-D2
74	ML4316 - 118	2(h)	2.34	3.14	2000	A7
75	ML4316 - 120	2(i)	2.25	3.05	2000	D2
76	ML4316 - 186	2(j)	2.24	3.04	2000	D2
77	ML4316 - 276	2(k)	2.24	3.04	2000	D2

(1) Variant	(2) Based On Type	(3) Figure	(4) Total Capacitance C_T (pF)		(5) Quality Factor (Q) (Minimum)	(6) Body-Lid And Lead Material And Finish
			Min	Max		
78	ML4317 - 30	2(a)	2.85	3.75	1750	A7-D2
79	ML4317 - 31	2(b)	2.85	3.75	1750	A7-D2
80	ML4317 - 36	2(d)	2.85	3.75	1750	A7-D2
81	ML4317 - 103	2(g)	2.95	3.85	1750	A7-D2
82	ML4317 - 118	2(h)	2.89	3.79	1750	A7
83	ML4317 - 186	2(j)	2.8	3.7	1750	D2
84	ML4318 - 30	2(a)	3.4	4.4	1750	A7-D2
85	ML4318 - 31	2(b)	3.4	4.4	1750	A7-D2
86	ML4318 - 36	2(d)	3.4	4.4	1750	A7-D2
87	ML4318 - 103	2(g)	3.5	4.5	1750	A7-D2
88	ML4318 - 118	2(h)	3.44	4.44	1750	A7
89	ML4318 - 186	2(j)	3.35	4.35	1750	D2
90	ML4319 - 30	2(a)	4.1	5.3	1500	A7-D2
91	ML4319 - 31	2(b)	4.1	5.3	1500	A7-D2
92	ML4319 - 36	2(d)	4.1	5.3	1500	A7-D2
93	ML4319 - 103	2(g)	4.2	5.4	1500	A7-D2
94	ML4319 - 118	2(h)	4.14	5.34	1500	A7
95	ML4319 - 186	2(j)	4.05	5.25	1500	D2

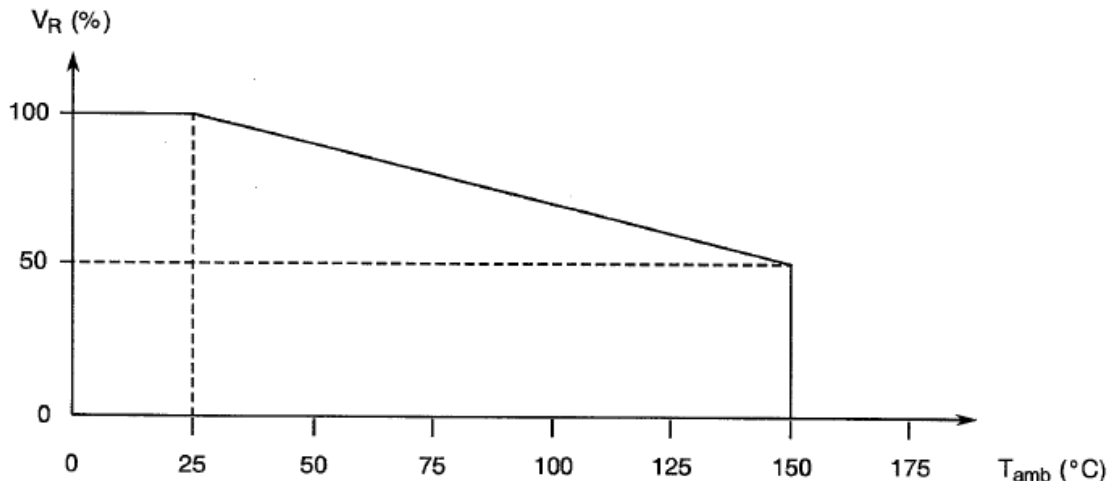
TABLE 1(b) - MAXIMUM RATINGS

No.	Characteristics	Symbol	Maximum Ratings	Unit	Remarks
1	DC Reverse Voltage	V_R	-25	V	Note 1
2	Operating Temperature Range	T_{op}	-65 to +150	°C	T_{amb}
3	Storage Temperature Range	T_{stg}	-65 to +150	°C	
4	Soldering Temperature	T_{sol}	+230	°C	Note 2

NOTES

1. Measured at $I_R = 10\mu A$ and $T_{amb} = +25^\circ C$. For derating at $T_{amb} > +25^\circ C$, see Figure 1.
2. Duration 5 seconds maximum (at a distance of not less than 1.5mm from the body for Variants 10, 11, 21, 22, 32, 33, 43, 44, 54, 55, 65, 66, 76, 77, 83, 89 and 95) and the same termination shall not be resoldered until 3 minutes have elapsed.

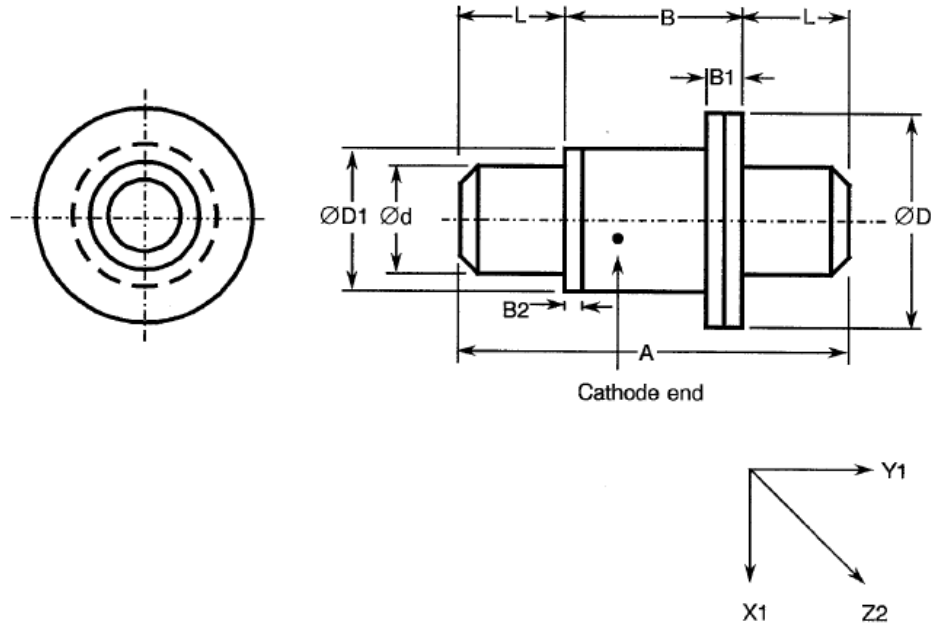
FIGURE 1 - PARAMETER DERATING INFORMATION



V_R versus Temperature

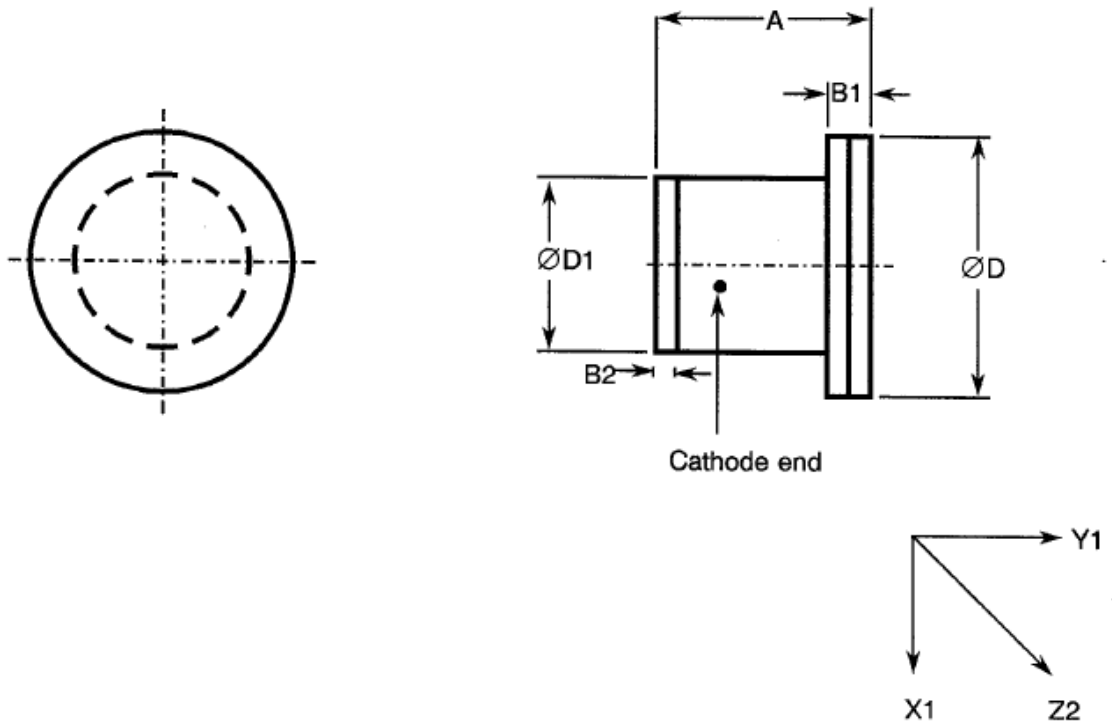
FIGURE 2 – PHYSICAL DIMENSIONS

FIGURE 2(a) - VARIANTS 01, 12, 23, 34, 45, 56, 67, 78, 84, 90



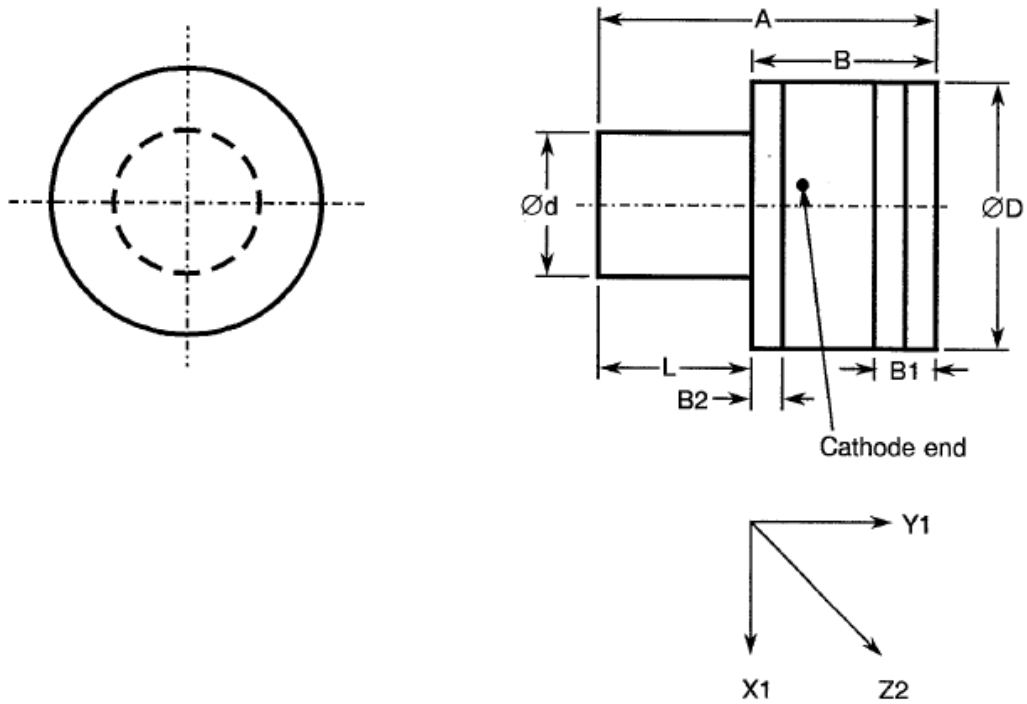
Symbol	Millimetres	
	Min	Max
A	5.2	5.72
B	2.16	2.46
B1	0.41	0.61
B2	0.15	0.25
$\varnothing d$	1.52	1.63
$\varnothing D$	3	3.23
$\varnothing D1$	1.95	2.11
L	1.52	1.63

FIGURE 2(b) - VARIANTS 02, 13, 24, 35, 46, 57, 68, 79, 85, 91



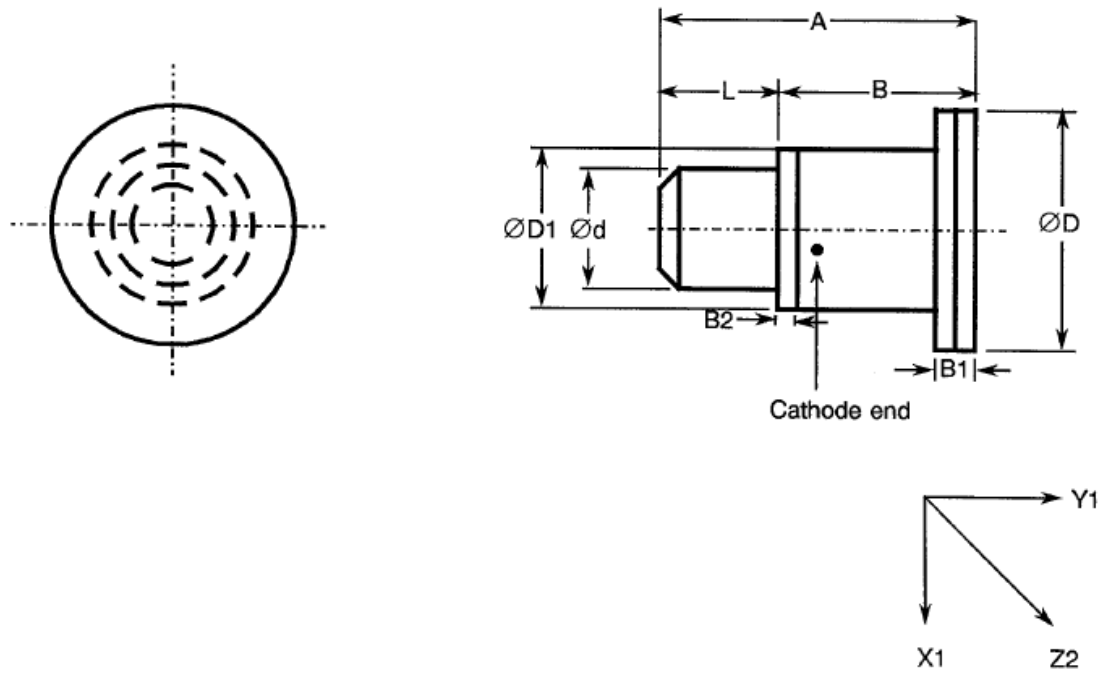
Symbol	Millimetres	
	Min	Max
A	2.16	2.46
B1	0.41	0.61
B2	0.15	0.25
$\varnothing D$	3	3.23
$\varnothing D1$	1.95	2.11

FIGURE 2(c) – VARIANTS 03, 14, 25, 36, 47, 58, 69



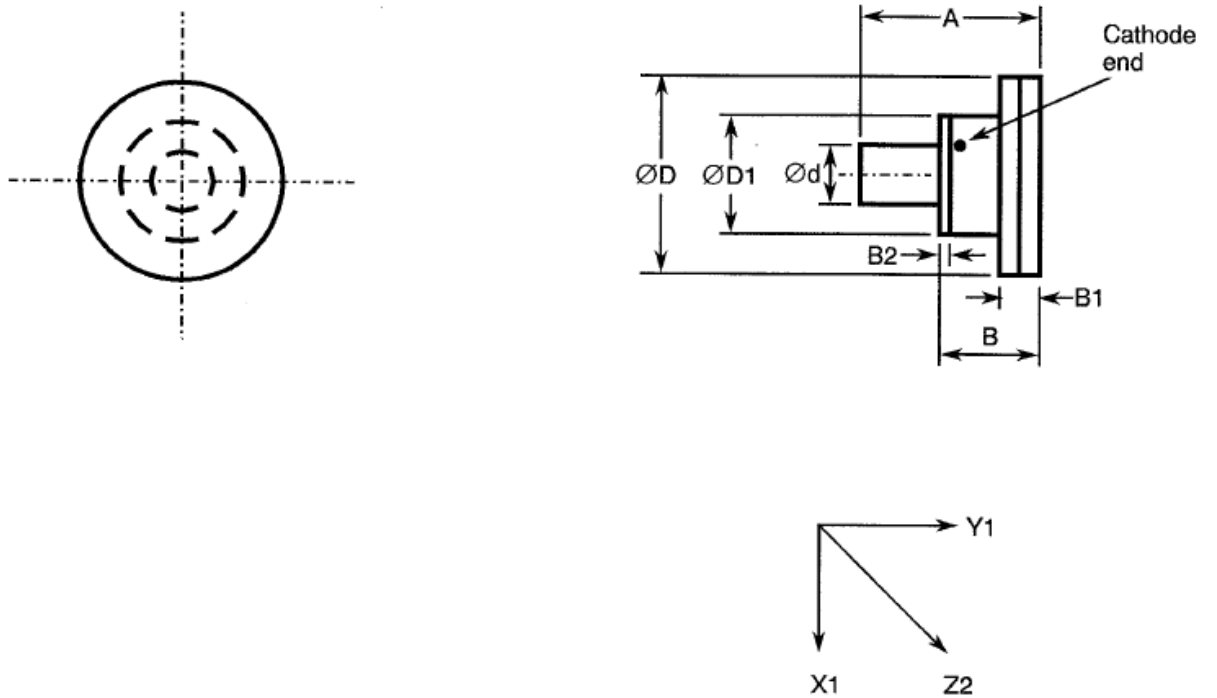
Symbol	Millimetres	
	Min	Max
A	1.41	1.85
B	0.69	1.02
B1	0.3	0.5
B2	0.05	0.13
$\varnothing d$	0.61	0.66
$\varnothing D$	1.22	1.32
L	0.74	0.79

FIGURE 2(d) – VARIANTS 04, 15, 26, 37, 48, 59, 70, 80, 86, 92



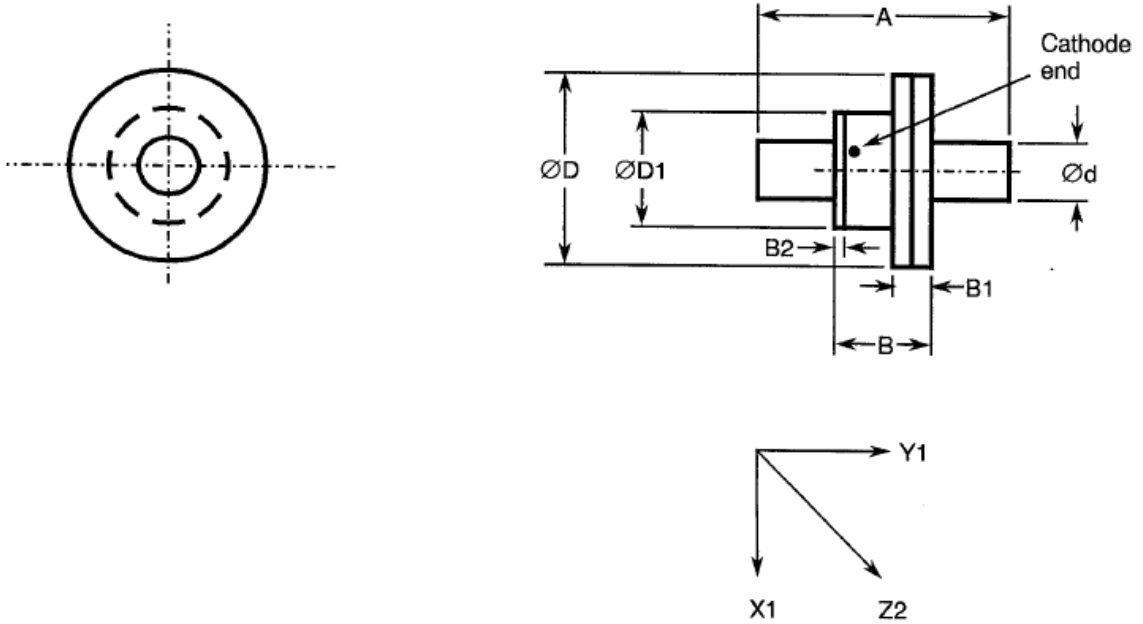
Symbol	Millimetres	
	Min	Max
A	3.6	4.18
B	2.16	2.46
B1	0.41	0.61
B2	0.15	0.25
$\varnothing d$	1.52	1.63
$\varnothing D$	3	3.23
$\varnothing D1$	1.95	2.11
L	1.52	1.63

FIGURE 2(e) – VARIANTS 05, 16, 27, 38, 49, 60, 71



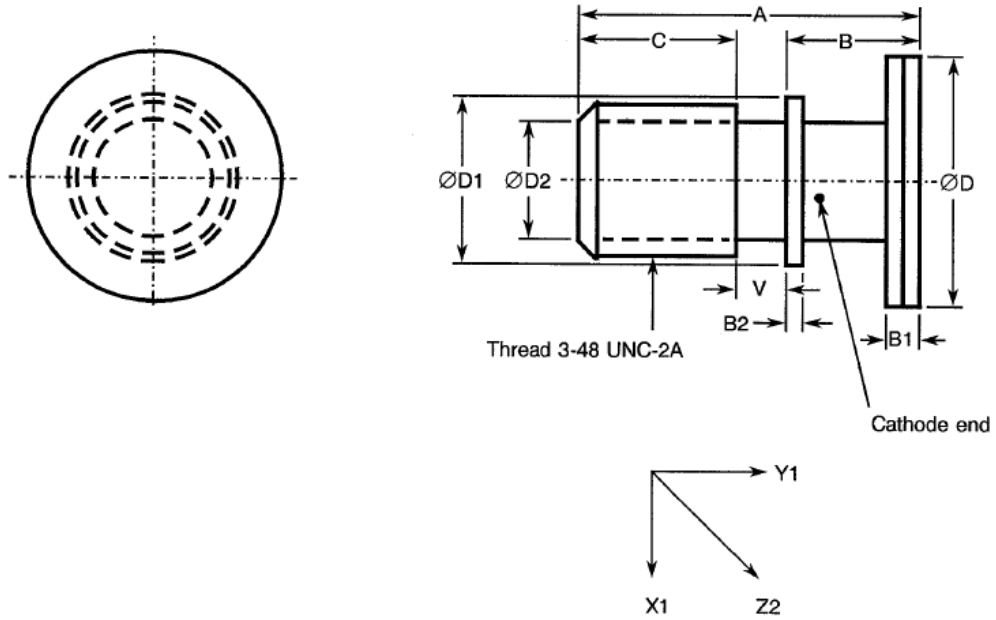
Symbol	Millimetres	
	Min	Max
A	1.78	2.03
B	1.02	1.27
B1	-	0.38
B2	1.1	0.25
$\varnothing d$	0.61	0.66
$\varnothing D$	1.98	2.18
$\varnothing D1$	1.19	1.35

FIGURE 2(f) – VARIANTS 06, 17, 28, 39, 50, 61, 72



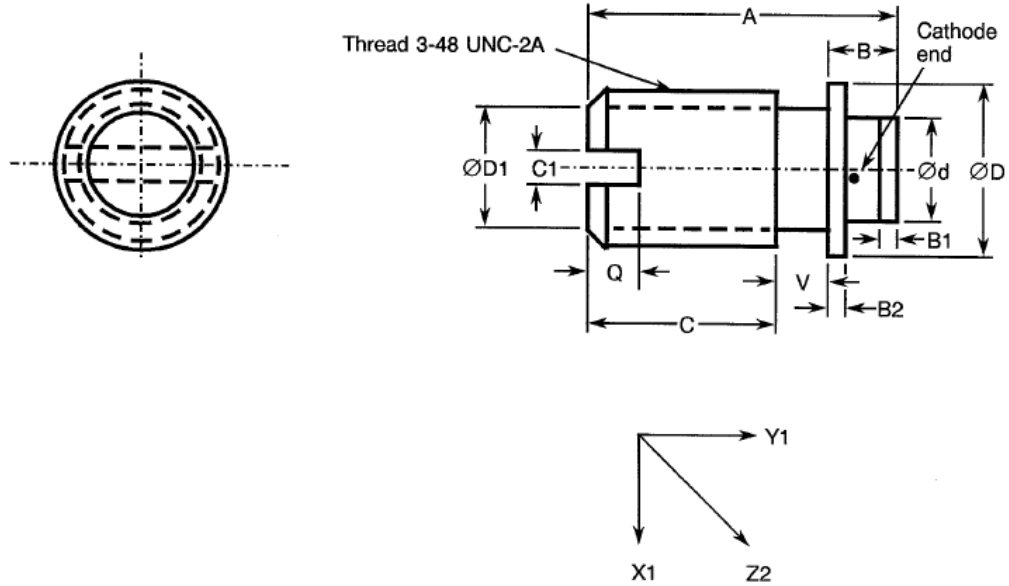
Symbol	Millimetres	
	Min	Max
A	2.54	2.79
B	1.02	1.27
B1	-	0.38
B2	1.1	0.25
$\varnothing d$	0.61	0.66
$\varnothing D$	1.98	2.18
$\varnothing D1$	1.19	1.35

FIGURE (g) – VARIANTS 07, 18, 29, 40, 51, 62, 73, 81, 87, 93



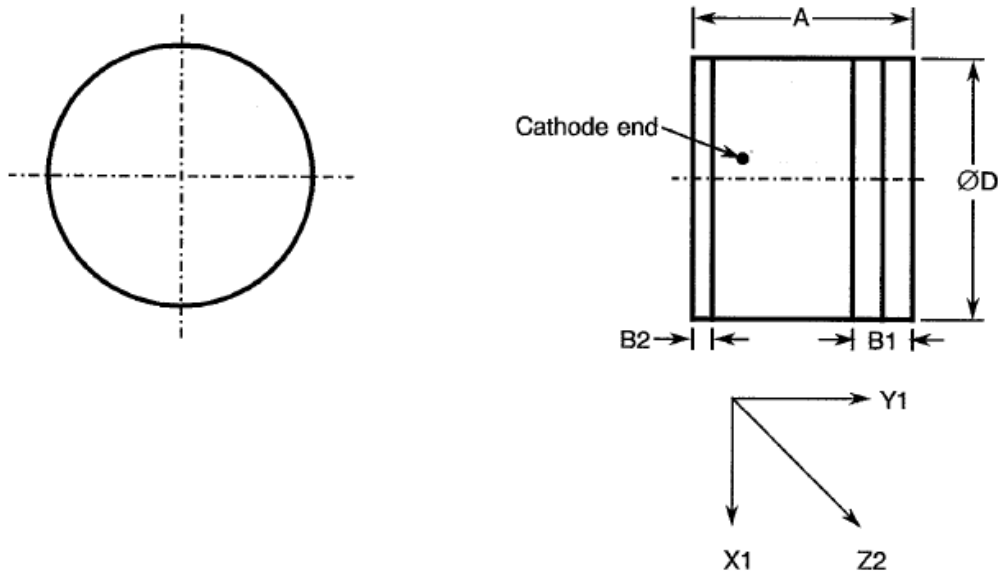
Symbol	Millimetres	
	Min	Max
A	4.71	5.3
B	1.47	1.8
B1	0.41	0.61
B2	0.2	0.3
C	1.97	3.19
ØD	3	3.23
ØD1	2.49	2.59
ØD2	1.6	2
V	0.64	0.94

FIGURE 2(h) – VARIANTS 08, 19, 30, 41, 52, 63, 74, 82, 88, 94



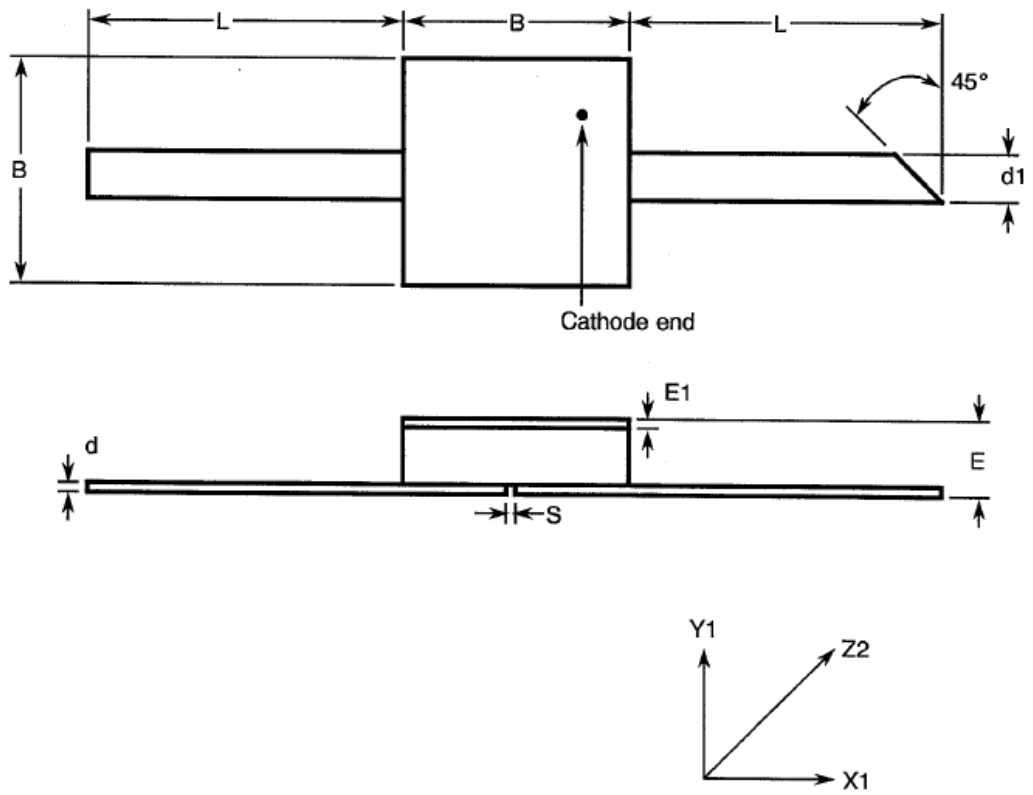
Symbol	Millimetres	
	Min	Max
A	4.19	4.7
B	0.77	1.04
B1	0.2	0.3
B2	0.22	0.28
C	2.21	3.29
C1	0.38	0.64
Ød	1.22	1.32
ØD	2.49	2.59
ØD1	1.6	2
Q	0.64	1.14
V	0.64	0.94

FIGURE 2(i) – VARIANTS 09, 20, 31, 42, 53, 64, 75



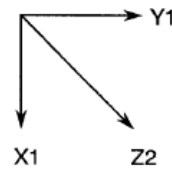
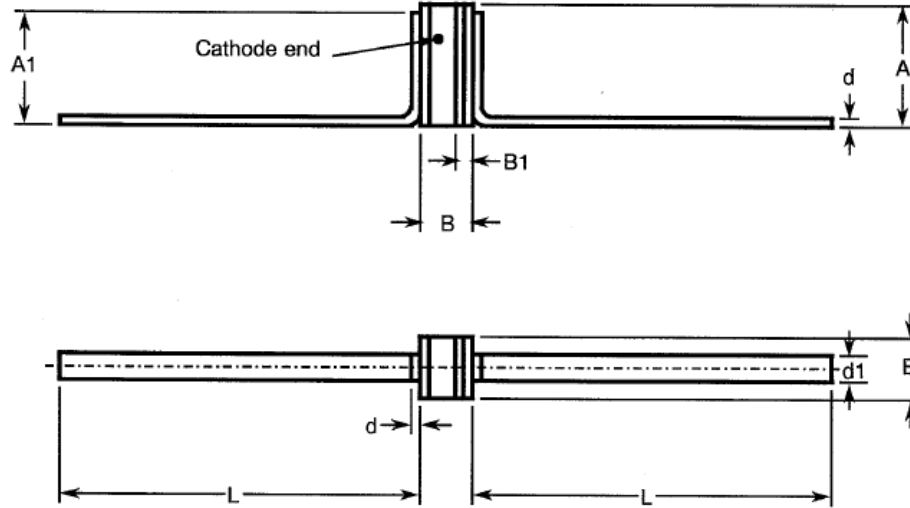
Symbol	Millimetres	
	Min	Max
A	1.02	1.27
B1	0.23	0.33
B2	0.1	0.15
$\varnothing D$	1.29	1.4

FIGURE 2(j) – VARIANTS 10, 21, 32, 43, 54, 65, 76, 83, 89, 95

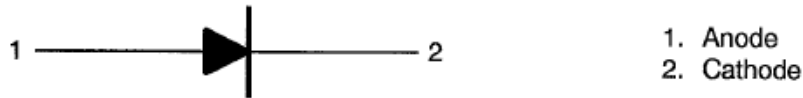


Symbol	Millimetres	
	Min	Max
B	2.39	2.62
d	0.07	0.15
d1	0.48	0.56
E	0.79	1.12
E1	0.1	0.18
L	3.3	5.84
S	0.1	-

FIGURE 2(k) – VARIANTS 11, 22, 33, 44, 55, 66, 77



Symbol	Millimetres	
	Min	Max
A	1.35	2.54
A1	-	2.46
B	1.02	1.27
B1	-	0.38
d	0.07	0.15
d1	0.38	0.64
E	1.29	1.4
L	6.1	12.4

FIGURE 3 – FUNCTIONAL DIAGRAM**NOTES**

1. The cathode end shall be marked with a black dot or band. The marking will not be on the cathode connection but adjacent to it.

4 REQUIREMENTS**4.1 GENERAL**

The complete requirements for procurement of the diodes specified herein are stated in this specification and ESCC Generic Specification No. 5010. Deviations from the Generic Specification, applicable to this specification only, are listed in Para. 4.2.

Deviations from the applicable Generic Specification and this Detail Specification, formally agreed with specific Manufacturers on the basis that the alternative requirements are equivalent to the ESCC requirements and do not affect the components' reliability, are listed in the appendices attached to this specification.

4.2 DEVIATIONS FROM GENERIC SPECIFICATION**4.2.1 Deviations from Special In-process Controls**

- (a) Para. 5.2.3, Total Dose Irradiation Testing: Shall be performed during qualification and extension of qualification.
- (b) Para. 5.2.3, Total Dose Irradiation Testing: Shall be performed during procurement on a lot acceptance basis at the total dose irradiation level specified in the purchase order.
- (c) Quality Factor Measurement (Q): 3 randomly chosen samples shall be encapsulated in the type of package shown in Figure 2(a) of this specification. After encapsulation, Quality Factor measurements shall be performed using the method shown in Figure 4 of this specification with $V_R = -4V$. The limits specified in Table 1(a) of this specification shall be met.

4.2.2 Deviations from Final Production Tests (Chart II)

None.

4.2.3 Deviations from Burn-in and Electrical Measurements (Chart III)

- (a) Para. 9.21, High Temperature Reverse Bias Burn-in: Shall be performed at 50% of rated V_R .

4.2.4 Deviations from Qualification Tests (Chart IV)

- (a) Para. 9.23, Special Testing: Shall not be performed.

4.2.5 Deviations from Lot Acceptance Tests (Chart V)

- (a) Para. 9.23, Special Testing: Shall not be performed.

4.3 MECHANICAL AND ENVIRONMENTAL REQUIREMENTS

4.3.1 Dimension Check

The dimensions of the diodes specified herein shall be checked. They shall conform to those shown in Figure 2.

4.3.2 Weight

The maximum weight of the diodes specified herein shall be:

Variant No.	Weight (g)
01, 12, 23, 34, 45, 56, 67, 78, 84, 90	0.12
02, 13, 24, 35, 46, 57, 68, 79, 85, 91	0.06
03, 14, 25, 36, 47, 58, 69	0.01
04, 15, 26, 37, 48, 59, 70, 80, 86, 92	0.1
05, 16, 27, 38, 49, 60, 71, 85	0.015
06, 17, 28, 39, 50, 61, 72	0.022
07, 08, 18, 19, 29, 30, 40, 41, 51, 52, 62, 63, 73, 74, 81, 82, 87, 88, 93, 94	0.14
09, 20, 31, 42, 53, 64, 75	0.014
10, 21, 32, 43, 54, 65, 76, 83, 88, 95	0.06
11, 22, 33, 44, 55, 66, 77	0.025

4.3.3 Terminal Strength

The requirements for terminal strength testing are specified in Section 9 of ESCC Generic Specification No. 5010. The test conditions shall be as follows:

(a) Condition: 'A' (Tension)

Variants 10, 21, 32, 43, 54, 65, 76, 83, 89 and 95:

- Force: 5.1N.
- Duration: 5 seconds.

Variants 11, 22, 33, 44, 55, 66, and 77:

- Force: 1.22N.
- Duration: 5 seconds.

(b) Condition: 'D2' (Stud Torque)

Variants 07, 18, 29, 40, 51, 62, 73, 81, 87 and 93:

- Torque: 56mNm.
- Duration: 5 seconds.

Variants 08, 19, 30, 41, 52, 63, 74, 82, 88 and 94:

- Torque: 42mNm.
- Duration: 5 seconds.

(c) Condition: Compression

Variants 01, 02, 04, 07, 12, 13, 15, 18, 23, 24, 26, 29, 34, 35, 37, 40, 45, 46, 48, 51, 56, 57, 59, 62, 67, 68, 70, 73, 78, 79, 80, 81, 84, 85, 86, 87, 90, 91, 92 and 93:

- Force: 50N.
- Duration: 5 seconds.

Variants 03, 05, 06, 08, 09, 14, 16, 17, 19, 20, 25, 27, 28, 30, 31, 36, 38, 39, 41, 42, 47, 49, 50, 52, 53, 58, 60, 61, 63, 64, 69, 71, 72, 74, 75, 82, 88 and 94:

- Force: 10N.
- Duration: 5 seconds.

The compression test shall be performed by applying the specified force to the end-cap by means of a suitable weight applied for the specified time. On completion of the test, a visual examination shall be performed to check for damage to the end-cap or the ceramic body.

4.4 MATERIALS AND FINISHES

The materials and finishes shall be as specified herein. Where a definite material is not specified, a material which will enable the diodes specified herein to meet the performance requirements of this specification shall be used. Acceptance or approval of any constituent material shall not guarantee acceptance of the finished product.

4.4.1 Case

The case shall be hermetically sealed and have a ceramic body. The lid shall be brazed, welded or preform soldered.

4.4.2 Lead Materials and Finish

- (a) For Variants 01, 02, 04, 05, 06, 07, 12, 13, 15, 16, 17, 18, 23, 24, 26, 27, 28, 29, 34, 35, 37, 38, 39, 40, 45, 46, 48, 49, 50, 51, 56, 57, 59, 60, 61, 62, 67, 68, 70, 71, 72, 73, 78, 79, 80, 81, 84, 85, 86, 87, 90, 91, 92 and 93, the body material shall be Type 'A' with Type '7' finish and the lid material shall be Type 'D' with Type '2' finish, in accordance with the requirements of ESCC Basic Specification No. 23500.
- (b) For Variants 03, 08, 14, 19, 25, 30, 36, 41, 47, 52, 58, 63, 69, 74, 82, 88 and 94, the lead material shall be Type 'A' with Type '7' finish in accordance with the requirements of ESCC Basic Specification No. 23500.
- (c) For Variants 09, 10, 11, 20, 21, 22, 31, 32, 33, 42, 43, 44, 53, 54, 55, 64, 65, 66, 75, 76, 77, 83, 89 and 95, the lead material shall be Type 'D' with Type '2' finish in accordance with the requirements of ESCC Basic Specification No. 23500.

4.5 MARKING

4.5.1 General

The marking of components delivered to this specification shall be in accordance with the requirements of ESCC Basic Specification No. 21700 and the following paragraphs. When the component is too small to accommodate all of the marking specified, as much as space permits shall be marked and the marking information, in full, shall accompany the component in its primary package.

The information to be marked and the order of precedence, shall be as follows:

- (a) Cathode Identification.
- (b) The ESCC Component Number.
- (c) Traceability Information.

4.5.2 Cathode Identification

Cathode identification shall be as shown in Figures 2 and 3 of this specification.

4.5.3 The ESCC Component Number

Each component shall bear the ESCC Component Number which shall be constituted and marked as follows:

Example: 551200301BF

- Detail Specification Number: 5512003
- Type Variant (see Table 1(a)): 01
- Testing Level (B or C, as applicable): B
- Total Dose Irradiation Level (if applicable): F

The Total Dose Irradiation Level designation shall be added for those devices for which a sample has been successfully tested to the level in question. For these devices, a code letter shall be added in accordance with the requirements of ESCC Basic Specification No. 22900.

4.5.4 Traceability Information

Each component shall be marked in respect of traceability information as defined in ESCC Basic Specification No. 21700.

4.6 ELECTRICAL MEASUREMENTS

4.6.1 Electrical Measurements at Room Temperature

The parameters to be measured at room temperature are scheduled in Table 2. Unless otherwise specified, the measurements shall be performed at $T_{amb} = +22 \pm 3^{\circ}\text{C}$.

4.6.2 Electrical Measurements at High and Low Temperatures

The parameters to be measured at high and low temperatures are scheduled in Table 3. Unless otherwise specified, the measurements shall be performed at $+150 (+0 -3)^{\circ}\text{C}$.

4.6.3 Circuits for Electrical Measurements

A circuit for use in performing the Quality Factor measurement is shown in Figure 4.

4.7 BURN-IN TESTS

Burn-in shall be Category 1 of Chart III(a).

4.7.1 Parameter Drift Values

The parameter drift values applicable to burn-in are specified in Table 4 of this specification. Unless otherwise stated, the measurements shall be performed at $T_{amb} = +22 \pm 3^{\circ}\text{C}$. The parameter drift values (Δ) applicable to the scheduled parameters shall not be exceeded. In addition to these drift value requirements for a given parameter, the appropriate limit value specified in Table 2 shall not be exceeded.

4.7.2 Conditions for High Temperature Reverse Bias Burn-in

The requirements for the high temperature reverse bias burn-in are specified in Section 7 of ESCC Generic Specification No. 5010. The conditions for high temperature reverse bias burn-in shall be as specified in Table 5(a) of this specification.

4.7.3 Conditions for Power Burn-in

The requirements for power burn-in are specified in Section 7 of ESCC Generic Specification No. 5010. The conditions for power burn-in shall be as specified in Table 5(b) of this specification.

4.7.4 Electrical Circuits for High Temperature Reverse Bias and Power Burn-in

Circuits for use in performing the H.T.R.B and power burn-in tests are shown in Figures 5(a) and 5(b) of this specification.

TABLE 2 – ELECTRICAL MEASUREMENTS AT ROOM TEMPERATURE – DC PARAMETERS

No.	Characteristics	Symbol	MIL-STD-750 Test Method	Test Conditions	Limits		Unit
					Min.	Max.	
1	Reverse Current 1	I_{R1}	4016	$V_R = -25V$	-	10	μA
2	Reverse Current 2	I_{R2}	4016	$V_R = -12.5V$	-	50	nA
3	Forward Voltage	V_F	4011	$I_F = 100mA$	-	1	V

TABLE 2 – ELECTRICAL MEASUREMENTS AT ROOM TEMPERATURE – AC PARAMETERS

No.	Characteristics	Symbol	MIL-Std-750 Test Method	Test Conditions	Limits		Unit
					Min.	Max.	
4	Total Capacitance	C_T	4001	$V_R = -4V, f = 1MHz$	Note 1		pF
5	Total Capacitance Ratio	-	4001	$V_R = 0V, V_R = -25V$ $f = 1MHz$ Note 2 Variants 01 to 11 Variants 12 to 22 Variants 23 to 33 Variants 34 to 44 Variants 45 to 55 Variants 56 to 66 Variants 67 to 77 Variants 78 to 89 Variants 90 to 95	2.3 3 3.4 3.7 4.1 4.3 4.4 4.6 4.7	- - - - - - - - -	

NOTES

1. See Column 4 of Table 1(a).

$$2. \text{Ratio} = \frac{C_T \text{ at } V_R = 0V}{C_T \text{ at } V_R = -25V}$$

TABLE 3 - ELECTRICAL MEASUREMENTS AT HIGH AND LOW TEMPERATURES

No.	Characteristics	Symbol	Spec. And/Or Test Method	Test Conditions	Limits		Unit
					Min.	Max.	
2	Reverse Current 2	I_{R2}	As per Table 2	As per Table 2	-	10	μA

TABLE 4 - PARAMETER DRIFT VALUES

No.	Characteristics	Symbol	Spec. And/Or Test Method	Test Conditions	Change Limits (Δ)	Unit
2	Reverse Current 2	I_{R2}	As per Table 2	As per Table 2	± 10 (1) or (2) ± 100 (1)	nA %
3	Forward Voltage	V_F	As per Table 2	As per Table 2	± 100 (1)	mV

NOTES

1. $\Delta 1 = \Delta 2$.

2. Whichever is the greater, referred to the initial measurement.

FIGURE 4 – CIRCUITS FOR ELECTRICAL MEASUREMENTS

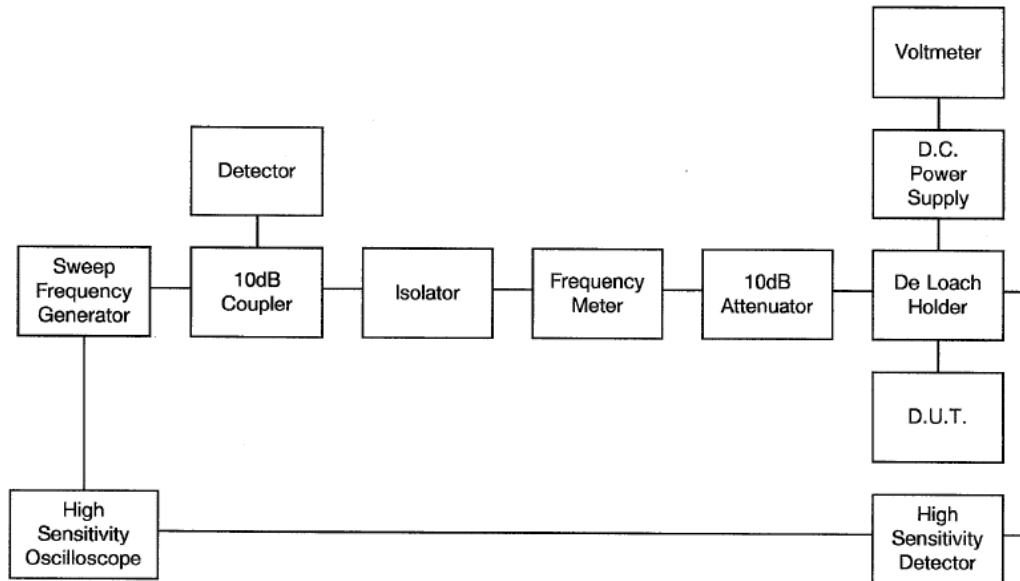


TABLE 5(a) - CONDITIONS FOR HIGH TEMPERATURE REVERSE BIAS BURN-IN AND OPERATING LIFE TESTS

No.	Characteristics	Symbol	Conditions	Unit
1	Ambient Temperature	T_{amb}	+150 (+0 -3)	°C
2	Reverse Voltage	V_R	-12.5	V

TABLE 5(b) - CONDITIONS FOR POWER BURN-IN

No.	Characteristics	Symbol	Conditions	Unit
1	Ambient Temperature	T_{amb}	+125 (+0 -3)	°C
2	Forward Current	I_F	25	mA

FIGURE 5(a) - ELECTRICAL CIRCUIT FOR HIGH TEMPERATURE REVERSE BIAS BURN-IN AND OPERATING LIFE TESTS

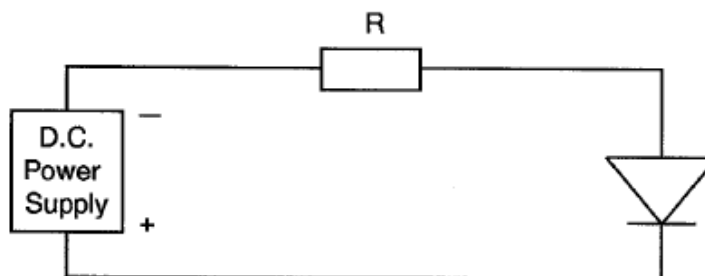
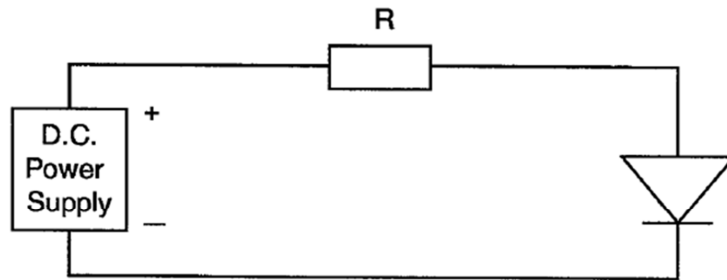


FIGURE 5(b) - ELECTRICAL CIRCUIT FOR POWER BURN-IN



4.8 ENVIRONMENTAL AND ENDURANCE TESTS (CHARTS IV AND V OF ESCC GENERIC SPECIFICATION No. 5010)

4.8.1 Electrical Measurements on Completion of Environmental Tests

The parameters to be measured on completion of environmental tests are scheduled in Table 2. Unless otherwise stated, the measurements shall be performed at $T_{amb} = +22 \pm 3^{\circ}\text{C}$.

4.8.2 Electrical Measurements at Intermediate Points and on Completion of Endurance Tests

The parameters to be measured at intermediate points and on completion of endurance tests are scheduled in Table 6. Unless otherwise stated, the measurements shall be performed at $T_{amb} = +22 \pm 3^{\circ}\text{C}$.

4.8.3 Conditions for Operating Life Tests (Part of Endurance Testing)

The requirements for operating life testing are specified in Section 9 of ESCC Generic Specification No. 5010. The conditions for operating life testing are specified in Table 5(a) of this specification.

4.8.4 Electrical Circuits for Operating Life Tests

The circuit to be used for performance of the operating life test shall be the same as shown in Figure 5(a) for High Temperature Reverse Bias Burn-in.

4.9 TOTAL DOSE IRRADIATION TESTING

4.9.1 Application

If specified in Para. 4.2.1 of this specification, total dose irradiation testing shall be performed in accordance with the requirements of ESCC Basic Specification No. 22900.

4.9.2 Bias Conditions

Continuous bias shall be applied during irradiation testing as shown in Figure 6 of this specification.

4.9.3 Electrical Measurements

The parameters to be measured prior to irradiation exposure are scheduled in Table 2 of this specification. Only devices which meet the requirements of Table 2 shall be included in the test sample.

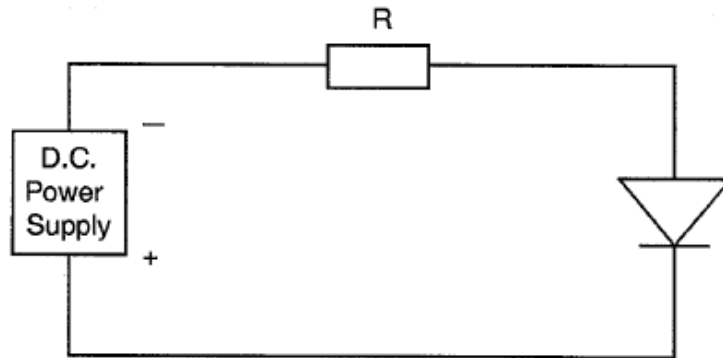
The parameters to be measured during and on completion of irradiation testing are scheduled in Table 7 of this specification.

4.10 SPECIAL TESTING
Not applicable.

TABLE 6 – ELECTRICAL MEASUREMENTS AT INTERMEDIATE POINTS AND ON COMPLETION OF ENDURANCE TESTING

No.	Characteristics	Symbol	Spec. And/Or Test Method	Test Conditions	Limits		Unit
					Min.	Max.	
1	Reverse Current 1	I_{R1}	As per Table 2	As per Table 2	As per Table 2		μA
2	Reverse Current 2	I_{R2}	As per Table 2	As per Table 2	As per Table 2		nA
3	Forward Voltage	V_F	As per Table 2	As per Table 2	As per Table 2		V
4	Total Capacitance	C_T	As per Table 2	As per Table 2	As per Table 2		pF

FIGURE 6 - BIAS CONDITIONS FOR IRRADIATION TESTING



NOTES

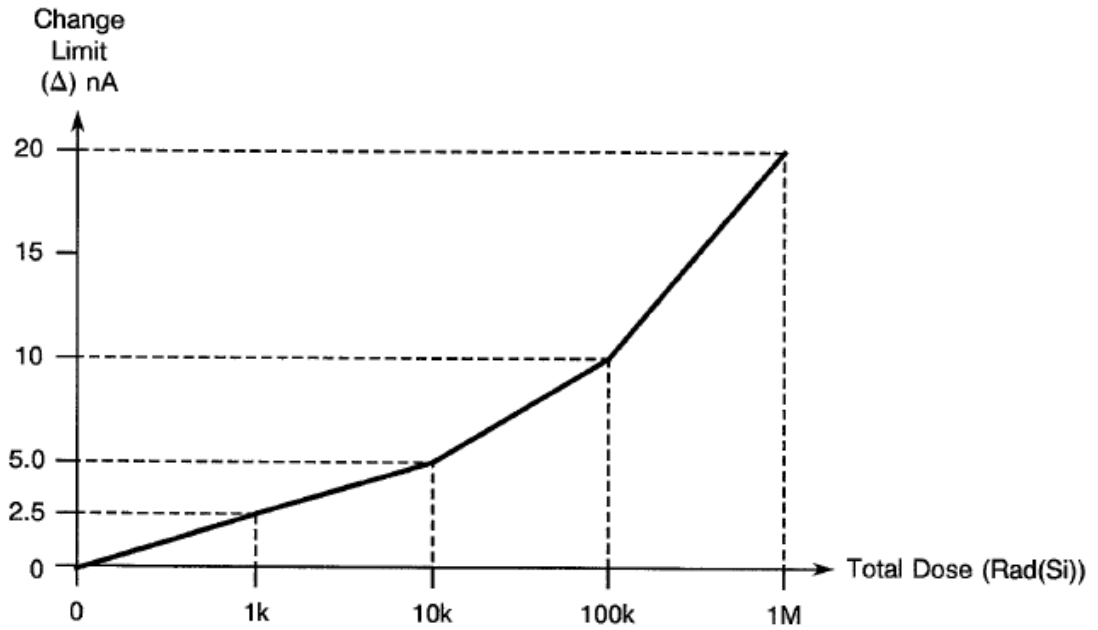
1. A reverse bias of $V_R = -12.5\text{V}$, shall be applied.

TABLE 7 - ELECTRICAL MEASUREMENTS DURING AND ON COMPLETION OF IRRADIATION TESTING

No.	Characteristics	Symbol	Spec. And/Or Test Method	Test Conditions	Change Limits (Δ)	Unit
2	Reverse Current 2	I_{R2}	As per Table 2	As per Table 2	Note 1	nA

NOTES

- The graph given below shall be used to determine the maximum permitted change.



APPENDIX 'A'

AGREED DEVIATIONS FOR M/A-COM LTD. (G.B.)

ITEMS AFFECTED	DESCRIPTION OF DEVIATIONS
Para. 4.2.2	Para. 9.4, "High Temperature Stabilisation Bake": May be performed at +150 (+0 -3)°C.