



Page 1 of 13

**DIODES, POWER RECTIFIER, HIGH EFFICIENCY,  
FAST RECOVERY**

**BASED ON TYPE BYV54-200**

**ESCC Detail Specification No. 5103/031**

Issue 9	July 2019
---------	-----------



Document Custodian: European Space Agency – see <https://escies.org>

### **LEGAL DISCLAIMER AND COPYRIGHT**

European Space Agency, Copyright © 2019. All rights reserved.

The European Space Agency disclaims any liability or responsibility, to any person or entity, with respect to any loss or damage caused, or alleged to be caused, directly or indirectly by the use and application of this ESCC publication.

This publication, without the prior permission of the European Space Agency and provided that it is not used for a commercial purpose, may be:

- copied in whole, in any medium, without alteration or modification.
- copied in part, in any medium, provided that the ESCC document identification, comprising the ESCC symbol, document number and document issue, is removed.

**DOCUMENTATION CHANGE NOTICE**

(Refer to <https://escies.org> for ESCC DCR content)

DCR No.	CHANGE DESCRIPTION
1218	Specification upissued to incorporate changes per DCR.

**TABLE OF CONTENTS**

1	GENERAL	5
1.1	SCOPE	5
1.2	APPLICABLE DOCUMENTS	5
1.3	TERMS, DEFINITIONS, ABBREVIATIONS, SYMBOLS AND UNITS	5
1.4	THE ESCC COMPONENT NUMBER AND COMPONENT TYPE VARIANTS	5
1.4.1	The ESCC Component Number	5
1.4.2	Component Type Variants	5
1.5	MAXIMUM RATINGS	6
1.6	HANDLING PRECAUTIONS	6
1.7	PHYSICAL DIMENSIONS AND TERMINAL IDENTIFICATION	7
1.8	FUNCTIONAL DIAGRAM	8
1.9	MATERIALS AND FINISHES	8
2	REQUIREMENTS	9
2.1	GENERAL	9
2.1.1	Deviations from the Generic Specification	9
2.2	MARKING	9
2.3	CASE ISOLATION	9
2.4	TERMINAL STRENGTH	9
2.5	ELECTRICAL MEASUREMENTS AT ROOM, HIGH AND LOW TEMPERATURES	9
2.5.1	Room Temperature Electrical Measurements	10
2.5.2	High and Low Temperatures Electrical Measurements	10
2.5.3	Notes to Electrical Measurement Tables	11
2.6	PARAMETER DRIFT VALUES	11
2.7	INTERMEDIATE AND END-POINT ELECTRICAL MEASUREMENTS	12
2.8	HIGH TEMPERATURE REVERSE BIAS BURN-IN CONDITIONS	12
2.9	POWER BURN-IN CONDITIONS	12
2.10	OPERATING LIFE CONDITIONS	12
	APPENDIX 'A'	13

## 1 GENERAL

### 1.1 SCOPE

This specification details the ratings, physical and electrical characteristics and test and inspection data for the component type variants and/or the range of components specified below. It supplements the requirements of, and shall be read in conjunction with, the ESCC Generic Specification listed under Applicable Documents.

### 1.2 APPLICABLE DOCUMENTS

The following documents form part of this specification and shall be read in conjunction with it:

- (a) ESCC Generic Specification No. [5000](#)
- (b) [MIL-STD-750](#), Test Methods and Procedures for Semiconductor Devices

### 1.3 TERMS, DEFINITIONS, ABBREVIATIONS, SYMBOLS AND UNITS

For the purpose of this specification, the terms, definitions, abbreviations, symbols and units specified in ESCC Basic Specification No. [21300](#) shall apply.

### 1.4 THE ESCC COMPONENT NUMBER AND COMPONENT TYPE VARIANTS

#### 1.4.1 The ESCC Component Number

The ESCC Component Number shall be constituted as follows:

Example: 510303101

- Detail Specification Reference: 5103031
- Component Type Variant Number: 01 (as required)

#### 1.4.2 Component Type Variants

The component type variants applicable to this specification are as follows:

Variant Number	Based on Type	Case	Description	Lead Material and Finish	Weight max g
01	BYV54-200	TO-254	Single diode	H9	10
02	BYV54-200	TO-254	Single diode	H14	10
03	BYV54-200	TO-254	Single diode	H4	10
04	BYV54-200	TO-254AA	Single diode - Low Ohmic Package	S14	10
05	BYV54-200	TO-254AA	Single diode - Low Ohmic Package	S4	10

The lead material and finish shall be in accordance with the requirements of ESCC Basic Specification No. [23500](#).

1.5 MAXIMUM RATINGS

The maximum ratings shall not be exceeded at any time during use or storage.

Maximum ratings shall only be exceeded during testing to the extent specified in this specification and when stipulated in Test Methods and Procedures of the ESCC Generic Specification.

Characteristics	Symbols	Maximum Ratings	Unit	Remarks
Forward Surge Current	$I_{FSM}$	400	A	Note 1
Repetitive Peak Reverse Voltage	$V_{RRM}$	200	V	Note 2
Average Output Rectified Current	$I_O$	40	A	50% Duty Cycle Note 3
RMS Forward Current	$I_{F(rms)}$	60	A	
Operating Temperature Range (Case Temperature)	$T_{op}$	-55 to +150	°C	Note 4
Junction Temperature	$T_j$	+150	°C	
Storage Temperature Range	$T_{stg}$	-55 to +150	°C	Note 4
Soldering Temperature	$T_{sol}$	+260	°C	Note 5
Thermal Resistance, Junction to Case	$R_{th(j-c)}$	1	°C/W	Note 6

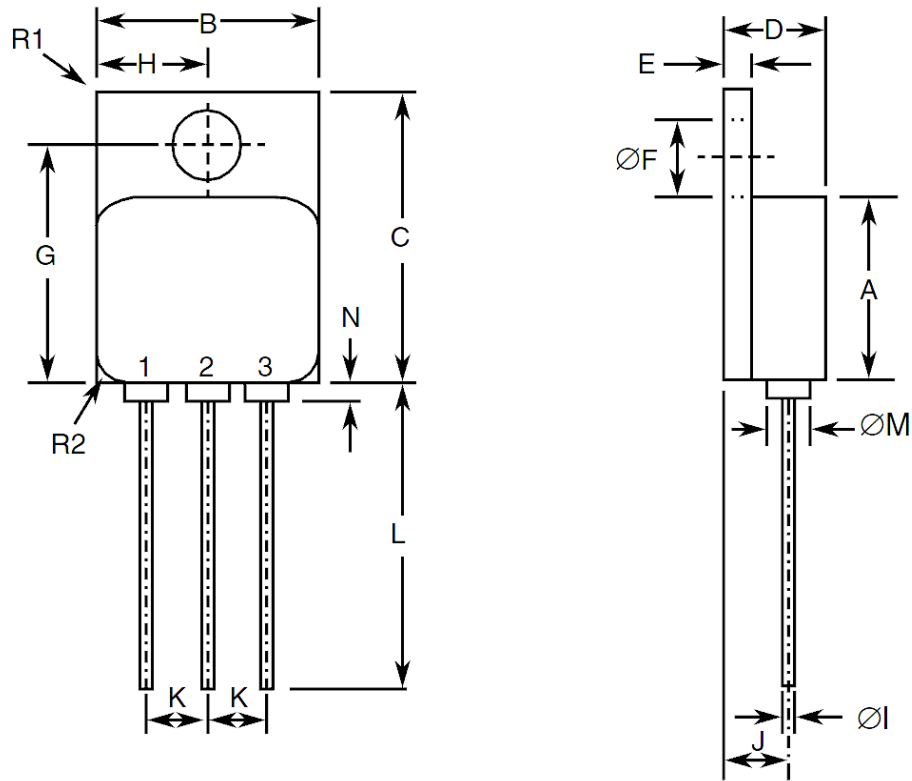
**NOTES:**

1. Sinusoidal pulse of 10ms duration.
2. Pulse, duration 5ms,  $f = 50\text{Hz}$ .
3. At  $T_{case} > +90^\circ\text{C}$ , derate linearly to 0A at  $+150^\circ\text{C}$  for Variants 01, 02, 03. At  $T_{case} > +99^\circ\text{C}$ , derate linearly to 0A at  $+150^\circ\text{C}$  for Variants 04, 05.
4. For Variants 01, 03, 05, with hot solder dip lead finish, all testing performed at  $T_{amb} > +125^\circ\text{C}$  shall be carried out in a 100% inert atmosphere.
5. Duration 10 seconds maximum at a distance of not less than 1.5mm from the device body and the same lead shall not be resoldered until 3 minutes have elapsed.
6. Package mounted on an infinite heatsink.

1.6 HANDLING PRECAUTIONS

The TO-254 and TO-254AA packages contain Beryllium Oxide (BeO) and therefore must not be ground, machined, sandblasted or subjected to any mechanical operation which will produce dust. The case must not be subjected to any chemical process (e.g. etching) which will produce fumes.

1.7 PHYSICAL DIMENSIONS AND TERMINAL IDENTIFICATION  
METAL FLANGE MOUNT PACKAGE (TO-254 & TO-254AA) - 3 LEAD



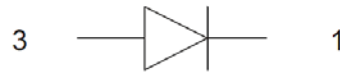
Symbols	Dimensions mm		Notes
	Min	Max	
A	13.59	13.84	
B	13.59	13.84	
C	20.07	20.32	
D	6.3	6.7	
E	1	1.35	
ØF	3.5	3.9	
G	16.89	17.4	
H	6.86 BSC		
ØI	0.89	1.14	2
J	3.81 BSC		
K	3.81 BSC		
L	12.95	14.5	
ØM	3.05 Typical		2
N	-	0.71	2
R1	-	1	3
R2	1.65 Typical		4

**NOTES:**

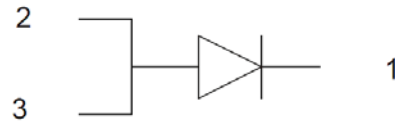
1. The terminal identification is specified by the components geometry. See Para. 1.8 Functional Diagram for the terminal connections.
2. 3 places.
3. Radius of heatsink flange corner, 4 places.
4. Radius of body corner, 4 places.

1.8 **FUNCTIONAL DIAGRAM****Variants 01, 02, 03**

Terminal 1: Cathode  
Terminal 2: Not connected  
Terminal 3: Anode

**Variants 04, 05**

Terminal 1: Cathode  
Terminal 2: Anode  
Terminal 3: Anode

**NOTES:**

1. The case is not connected to any lead.

1.9 **MATERIALS AND FINISHES**

Materials and finishes shall be as follows:

- (a) Case  
The case shall be hermetically sealed and have a metal body. The leads pass through ceramic eyelets brazed into the frame and the lid shall be welded.
- (b) Leads  
As specified in Para. 1.4.2.



## 2 REQUIREMENTS

### 2.1 GENERAL

The complete requirements for procurement of the components specified herein are as stated in this specification and the ESCC Generic Specification. Permitted deviations from the Generic Specification, applicable to this specification only, are listed below.

Permitted deviations from the Generic Specification and this Detail Specification, formally agreed with specific Manufacturers on the basis that the alternative requirements are equivalent to the ESCC requirement and do not affect the component's reliability, are listed in the appendices attached to this specification.

#### 2.1.1 Deviations from the Generic Specification

None.

### 2.2 MARKING

The marking shall be in accordance with the requirements of ESCC Basic Specification No. 21700 and as follows.

The information to be marked on the component shall be:

- (a) The ESCC qualified components symbol (for ESCC qualified components only).
- (b) The ESCC Component Number (see Para. 1.4.1).
- (c) Traceability information.
- (d) Warning sign for Beryllium Oxide.

### 2.3 CASE ISOLATION

Case Isolation shall be performed as specified in the ESCC Generic Specification and as follows:

- Test Conditions:
  - Test voltage: 500Vdc
  - Duration of application of test voltage: 1s
  - Points of application of test voltage: between case metal tab and all terminals connected together.
  - Maximum leakage current: 10nA

### 2.4 TERMINAL STRENGTH

The test conditions for Terminal Strength, tested as specified in the ESCC Generic Specification, shall be as follows:

Test Condition: A, tension, with an applied force of 10N for a duration of 10s.

### 2.5 ELECTRICAL MEASUREMENTS AT ROOM, HIGH AND LOW TEMPERATURES

Electrical measurements shall be performed at room, high and low temperatures. Consolidated notes are given in Para. 2.5.3.

2.5.1 Room Temperature Electrical Measurements

The measurements shall be performed at  $T_{amb} = +22 \pm 3^{\circ}\text{C}$ .

Characteristics	Symbols	MIL-STD-750 Test Method	Test Conditions (Note 1)	Limits		Units
				Min	Max	
Reverse Current	$I_R$	4016	DC Method $V_R = 200\text{V}$	-	50	$\mu\text{A}$
Forward Voltage 1	$V_{F1}$	4011	Pulse Method $I_F = 20\text{A}$ , Note 2 Variants 01, 02, 03 Variants 04, 05	-	1.1 0.95	V
Forward Voltage 2	$V_{F2}$	4011	Pulse Method $I_F = 30\text{A}$ , Note 2 Variants 01, 02, 03 Variants 04, 05	-	1.3 1.1	V
Breakdown Voltage	$V_{(BR)}$	4021	$I_R = 100\mu\text{A}$	200	-	V
Capacitance	C	4001	$V_R = 10\text{V}$ $f = 1\text{MHz}$	-	400	pF
Reverse Recovery Time	$t_{rr}$	4031	Test Condition A $I_F = 1\text{A}$ $V_R = 30\text{V}$ $dI_F/dt = -50\text{A}/\mu\text{s}$	-	60	ns
Thermal Impedance, Junction to Case	$Z_{th(j-c)}$	3101	$I_H = 15\text{V to }40\text{A}$ $t_H = 50\text{ms}$ $I_M = 50\text{mA}$ $t_{md} = 100\mu\text{s}$ Note 3	(Calculate $\Delta V_F$ , see Note 4)		$^{\circ}\text{C/W}$

2.5.2 High and Low Temperatures Electrical Measurements

Characteristics	Symbols	MIL-STD-750 Test Method	Test Conditions (Notes 1, 5)	Limits		Units
				Min	Max	
Reverse Current	$I_R$	4016	$T_{case} = +125 (+0 -5)^{\circ}\text{C}$ DC Method $V_R = 200\text{V}$	-	40	mA
Forward Voltage 1	$V_{F1}$	4011	$T_{case} = +125 (+0 -5)^{\circ}\text{C}$ Pulse Method $I_F = 20\text{A}$ , Note 2 Variants 01, 02, 03 Variants 04, 05	-	1 0.85	V
			$T_{case} = -55 (+5 -0)^{\circ}\text{C}$ Pulse Method $I_F = 20\text{A}$ , Note 2 Variants 01, 02, 03 Variants 04, 05	-	1.3 1.15	V
Forward Voltage 2	$V_{F2}$	4011	$T_{case} = +125 (+0 -5)^{\circ}\text{C}$ Pulse Method $I_F = 30\text{A}$ , Note 2 Variants 01, 02, 03 Variants 04, 05	-	1.1 1	V

2.5.3 Notes to Electrical Measurement Tables

1. For Variants 04, 05 testing shall be performed with both anode terminals 2 and 3 tied together.
2. Pulsed Width  $\leq 680\mu\text{s}$ , Duty Cycle  $\leq 2\%$ .
3. Performed only during Screening Tests Parameter Drift Values (Initial Measurements), go-no-go.
4. The limits for  $\Delta V_F$  shall be defined by the Manufacturer on every lot in accordance with [MIL-STD-750 Method 3101](#) and shall guarantee the  $R_{th(j-c)}$  limits specified in Para. 1.5 Maximum Ratings.
5. Read and record measurements shall be performed on a sample of 5 components with 0 failures allowed. Alternatively a 100% inspection may be performed.

2.6 PARAMETER DRIFT VALUES

Unless otherwise specified, the measurements shall be performed at  $T_{amb} = +22 \pm 3^\circ\text{C}$ .

The test methods and test conditions shall be as per the corresponding test defined in Para. 2.5.1, Room Temperature Electrical Measurements.

The drift values ( $\Delta$ ) shall not be exceeded for each characteristic specified. The corresponding absolute limit values for each characteristic shall not be exceeded.

Characteristics	Symbols	Limits			Units
		Drift Value $\Delta$	Absolute		
			Min	Max	
Reverse Current	$I_R$	$\pm 6$ or (1) $\pm 100\%$	-	50	mA
Forward Voltage 1 Variants 01, 02, 03 Variants 04, 05	$V_{F1}$	$\pm 0.07$	-	1.1 0.95	V

**NOTES:**

1. Whichever is the greater referred to the initial value.

2.7 INTERMEDIATE AND END-POINT ELECTRICAL MEASUREMENTS

Unless otherwise specified, the measurements shall be performed at  $T_{amb} = +22 \pm 3^{\circ}\text{C}$ .

The test methods and test conditions shall be as per the corresponding test defined in Para. 2.5.1, Room Temperature Electrical Measurements. The limit values for each characteristic shall not be exceeded.

Characteristics	Symbols	Limits		Units
		Min	Max	
Reverse Current	$I_R$	-	50	$\mu\text{A}$
Forward Voltage 1 Variants 01, 02, 03 Variants 04, 05	$V_{F1}$	-	1.1 0.95	V
Forward Voltage 2 Variants 01, 02, 03 Variants 04, 05	$V_{F2}$	-	1.3 1.1	V

2.8 HIGH TEMPERATURE REVERSE BIAS BURN-IN CONDITIONS

Characteristics	Symbols	Limits	Units
Ambient Temperature	$T_{amb}$	+150 (+0 -5)	$^{\circ}\text{C}$
Reverse Voltage	$V_R$	160	V
Duration	t	$\geq 48$	hours

**NOTES:**

- For Variants 04, 05 testing shall be performed with both anode terminals 2 and 3 tied together.

2.9 POWER BURN-IN CONDITIONS

Characteristics	Symbols	Test Conditions	Units
Case Temperature	$T_{case}$	+125 $\pm$ 15, Note 1	$^{\circ}\text{C}$
Junction Temperature	$T_j$	+150 (+0 -5)	$^{\circ}\text{C}$
Average Output Rectified Current	$I_o$	$\geq 10$ , Note 1	A

**NOTES:**

- The case temperature and/or output current may be adjusted, within their given limit ranges, to attain the specified junction temperature.
- For Variants 04, 05 testing shall be performed with both anode terminals 2 and 3 tied together.

2.10 OPERATING LIFE CONDITIONS

The conditions shall be as specified in Para. 2.9 Power Burn-in Conditions.

**APPENDIX 'A'**  
**AGREED DEVIATIONS FOR STMICROELECTRONICS (F)**

ITEMS AFFECTED	DESCRIPTION OF DEVIATIONS
Para. 2.1.1, Deviations from the Generic Specification: Deviations from Production Control - Chart F2	Special In-Process Controls - Internal Visual Inspection. Wedge bonds equal to 1.1 wire diameters are acceptable for bonding with a V-Groove tool.
Para. 2.1.1, Deviations from the Generic Specification: Deviations from Screening Tests - Chart F3	Solderability is not applicable unless specifically stipulated in the Purchase Order.