



**INTEGRATED CIRCUITS, SILICON MONOLITHIC, HCMOS  
8-CHANNEL ANALOGUE  
MULTIPLEXER/DEMULTIPLEXER**

**BASED ON TYPE 54HC4051**

**ESCC Detail Specification No. 9408/064**

Issue 4	May 2015
---------	----------



### **LEGAL DISCLAIMER AND COPYRIGHT**

European Space Agency, Copyright © 2015. All rights reserved.

The European Space Agency disclaims any liability or responsibility, to any person or entity, with respect to any loss or damage caused, or alleged to be caused, directly or indirectly by the use and application of this ESCC publication.

This publication, without the prior permission of the European Space Agency and provided that it is not used for a commercial purpose, may be:

- copied in whole, in any medium, without alteration or modification.
- copied in part, in any medium, provided that the ESCC document identification, comprising the ESCC symbol, document number and document issue, is removed.

**DOCUMENTATION CHANGE NOTICE**

(Refer to <https://escies.org> for ESCC DCR content)

DCR No.	CHANGE DESCRIPTION
925	Specification upissued to incorporate editorial changes per DCR.

**TABLE OF CONTENTS**

1	GENERAL	6
1.1	SCOPE	6
1.2	APPLICABLE DOCUMENTS	6
1.3	TERMS, DEFINITIONS, ABBREVIATIONS, SYMBOLS AND UNITS	6
1.4	THE ESCC COMPONENT NUMBER AND COMPONENT TYPE VARIANTS	6
1.4.1	The ESCC Component Number	6
1.4.2	Component Type Variants	6
1.5	MAXIMUM RATINGS	7
1.6	HANDLING PRECAUTIONS	7
1.7	PHYSICAL DIMENSIONS AND TERMINAL IDENTIFICATION	7
1.7.1	Flat Package (FP) - 16 Pin	8
1.7.2	Dual-in-line Package (DIP) - 16 Pin	9
1.7.3	Chip Carrier Package (CCP) - 20 Terminal	10
1.7.4	Small Outline Ceramic Package (SO) - 16 Pin	12
1.7.5	Notes to Physical Dimensions and Terminal Identification	13
1.8	FUNCTIONAL DIAGRAM	13
1.9	PIN ASSIGNMENT	14
1.10	TRUTH TABLE	15
1.11	PROTECTION NETWORKS	15
2	REQUIREMENTS	16
2.1	GENERAL	16
2.1.1	Deviations from the Generic Specification	16
2.2	MARKING	16
2.3	ELECTRICAL MEASUREMENTS AT ROOM, HIGH AND LOW TEMPERATURES	16
2.3.1	Room Temperature Electrical Measurements	16
2.3.2	High and Low Temperatures Electrical Measurements	21
2.3.3	Notes to Electrical Measurement Tables	23
2.4	PARAMETER DRIFT VALUES	25
2.5	INTERMEDIATE AND END-POINT ELECTRICAL MEASUREMENTS	26
2.6	HIGH TEMPERATURE REVERSE BIAS BURN-IN CONDITIONS	27
2.6.1	N-Channel HTRB	27
2.6.2	P-Channel HTRB	28
2.7	POWER BURN-IN CONDITIONS	28
2.8	OPERATING LIFE CONDITIONS	30
2.9	TOTAL DOSE RADIATION TESTING	31



2.9.1	Bias Conditions and Total Dose Level for Total Dose Radiation Testing	31
2.9.2	Electrical Measurements for Total Dose Radiation Testing	31
APPENDIX 'A'		32

## 1 GENERAL

### 1.1 SCOPE

This specification details the ratings, physical and electrical characteristics and test and inspection data for the component type variants and/or the range of components specified below. It supplements the requirements of, and shall be read in conjunction with, the ESCC Generic Specification listed under Applicable Documents.

### 1.2 APPLICABLE DOCUMENTS

The following documents form part of this specification and shall be read in conjunction with it:

- (a) ESCC Generic Specification No. 9000.
- (b) MIL-STD-883, Test Methods and Procedures for Microelectronics.

### 1.3 TERMS, DEFINITIONS, ABBREVIATIONS, SYMBOLS AND UNITS

For the purpose of this specification, the terms, definitions, abbreviations, symbols and units specified in ESCC Basic Specification No. 21300 shall apply.

### 1.4 THE ESCC COMPONENT NUMBER AND COMPONENT TYPE VARIANTS

#### 1.4.1 The ESCC Component Number

The ESCC Component Number shall be constituted as follows:

Example: 940806401F

- Detail Specification Reference: 9408064
- Component Type Variant Number: 01 (as required)
- Total Dose Radiation Level Letter: F (as required)

#### 1.4.2 Component Type Variants

The component type variants applicable to this specification are as follows:

Variant Number	Based on Type	Case	Terminal Material and/or Finish	Weight max g	Total Dose Radiation Level Letter
01	54HC4051	FP	G2	0.7	F [50kRAD (Si)]
02	54HC4051	FP	G4	0.7	F [50kRAD (Si)]
05	54HC4051	CCP	2	0.6	F [50kRAD (Si)]
10	54HC4051	DIP	G2	2.2	F [50kRAD (Si)]
11	54HC4051	DIP	G4	2.2	F [50kRAD (Si)]
12	54HC4051	SO	G2	0.7	F [50kRAD (Si)]
13	54HC4051	SO	G4	0.7	F [50kRAD (Si)]

The terminal material and/or finish shall be in accordance with the requirements of ESCC Basic Specification No. 23500.

Total dose radiation level letters are defined in ESCC Basic Specification No. 22900. If an alternative radiation test level is specified in the Purchase Order the letter shall be changed accordingly.

1.5 MAXIMUM RATINGS

The maximum ratings shall not be exceeded at any time during use or storage.

Maximum ratings shall only be exceeded during testing to the extent specified in this specification and when stipulated in Test Methods and Procedures of the ESCC Generic Specification.

Characteristics	Symbols	Maximum Ratings	Units	Remarks
Supply Voltage	$V_{DD}$	-0.5 to 7	V	Note 1
Supply Voltage Range	$V_{DD}-V_{EE}$	-0.5 to 13	V	Note 2
Control Input Voltage	$V_{IN}$	-0.5 to $V_{DD}+0.5$	V	Notes 1, 3
Channel Input/Output Voltage	$V_{IN}$	$V_{EE}-0.5$ to $V_{DD}+0.5$	V	Notes 2, 4
Device Power Dissipation (Continuous)	$P_D$	300	mW	Note 5
Supply Current	$I_{DDop}$	50	mA	
Operating Temperature Range	$T_{op}$	-55 to +125	°C	$T_{amb}$
Storage Temperature Range	$T_{stg}$	-65 to +150	°C	
Soldering Temperature For FP, DIP and SO For CCP	$T_{sol}$	+265 +245	°C	Note 6 Note 7

**NOTES:**

1. Device is functional for  $2V \leq V_{DD} \leq 6V$  with reference to  $V_{SS}$ .
2. Device is functional for  $2V \leq V_{DD}-V_{EE} \leq 12V$ ,  $-6V \leq V_{EE} \leq 0V$ .
3. Input current limited to  $I_{IC} = \pm 20mA$ .
4. Channel Input/Output Clamp Current limited to  $I_{IC} = \pm 20mA$ . Channel Input/Output Through Current limited to  $I_{CH} = \pm 25mA$ .
5. The maximum device dissipation is determined by  $I_{DDop} \text{ max } (50mA) \times 6V$ .
6. Duration 10 seconds maximum at a distance of not less than 1.5mm from the device body and the same terminal shall not be resoldered until 3 minutes have elapsed.
7. Duration 5 seconds maximum and the same terminal shall not be resoldered until 3 minutes have elapsed.

1.6 HANDLING PRECAUTIONS

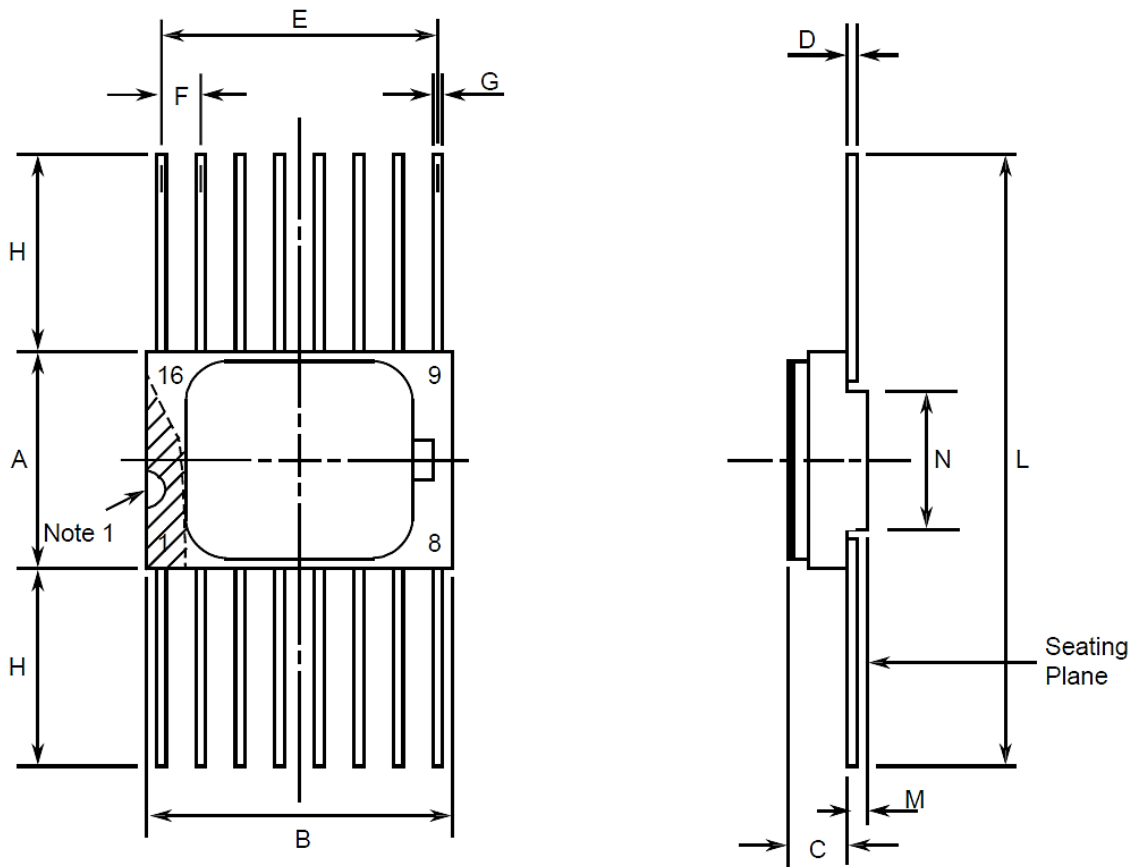
These devices are susceptible to damage by electrostatic discharge. Therefore, suitable precautions shall be employed for protection during all phases of manufacture, testing, packaging, shipment and any handling.

These components are categorised as Class 2 per ESCC Basic Specification No. 23800 with a Minimum Critical Path Failure Voltage of 2500 Volts.

1.7 PHYSICAL DIMENSIONS AND TERMINAL IDENTIFICATION

Consolidated Notes are given following the case drawings and dimensions.

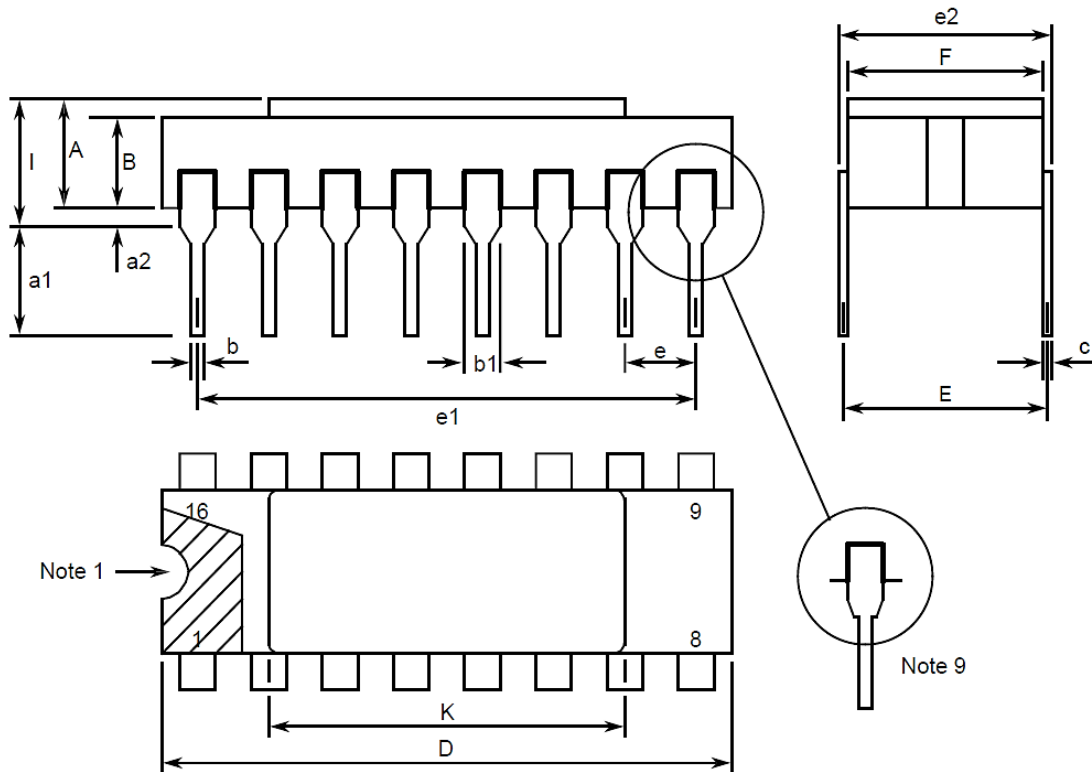
1.7.1 Flat Package (FP) - 16 Pin



Symbols	Dimensions mm		Notes
	Min	Max	
A	6.75	7.06	
B	9.76	10.14	
C	1.49	1.95	
D	0.1	0.15	5
E	8.76	9.01	
F	1.27 BSC		3, 6
G	0.38	0.48	5
H	6	-	5
L	18.75	22	
M	0.33	0.43	
N	4.32 TYPICAL		



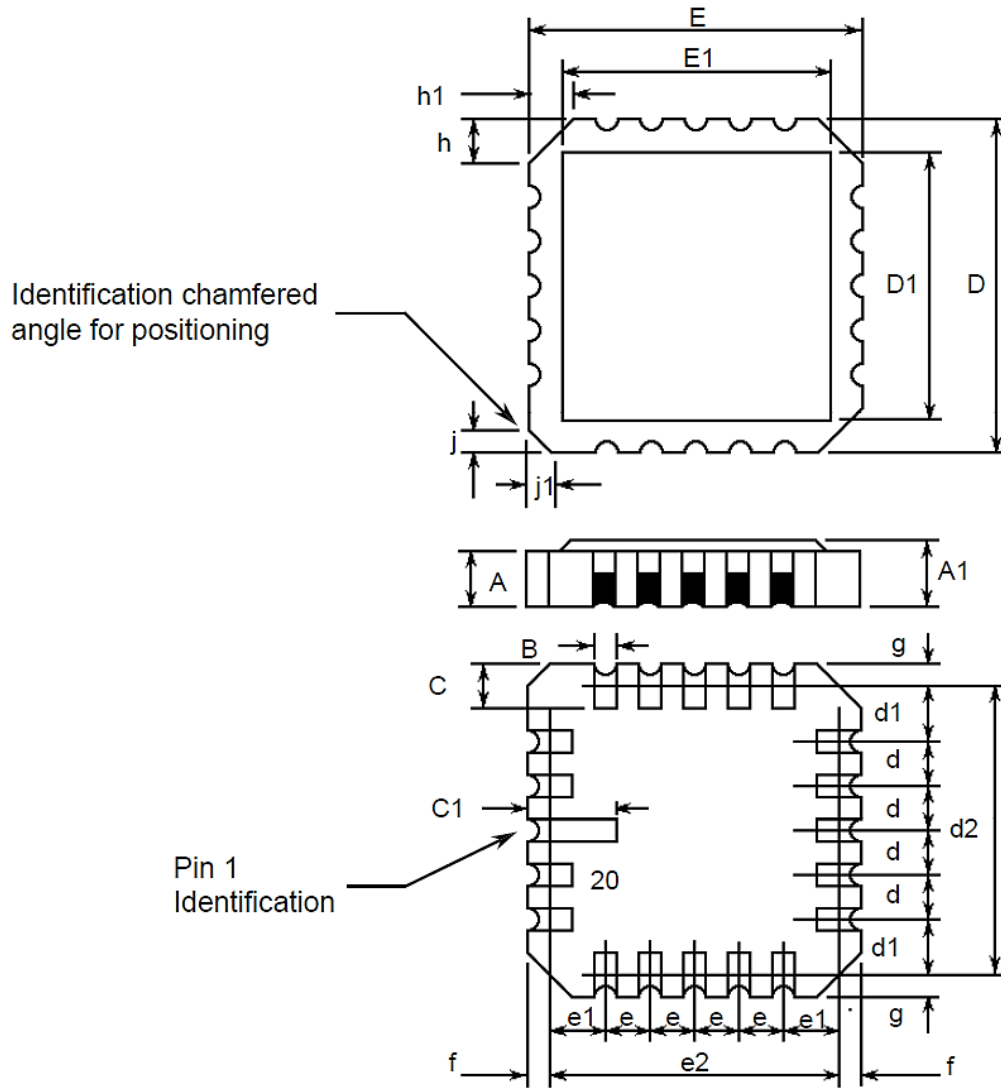
1.7.2 Dual-in-line Package (DIP) - 16 Pin



Symbols	Dimensions mm		Notes
	Min	Max	
A	2.1	2.71	
a1	3	3.7	
a2	0.63	1.14	2
B	1.82	2.39	
b	0.4	0.5	5
b1	1.14	1.5	5
c	0.2	0.3	5
D	20.06	20.58	
E	7.36	7.87	
e	2.54 BSC		4, 6
e1	17.65	17.9	
e2	7.62	8.12	
F	7.29	7.7	
I	-	3.83	

Symbols	Dimensions mm		Notes
	Min	Max	
K	10.9	12.1	

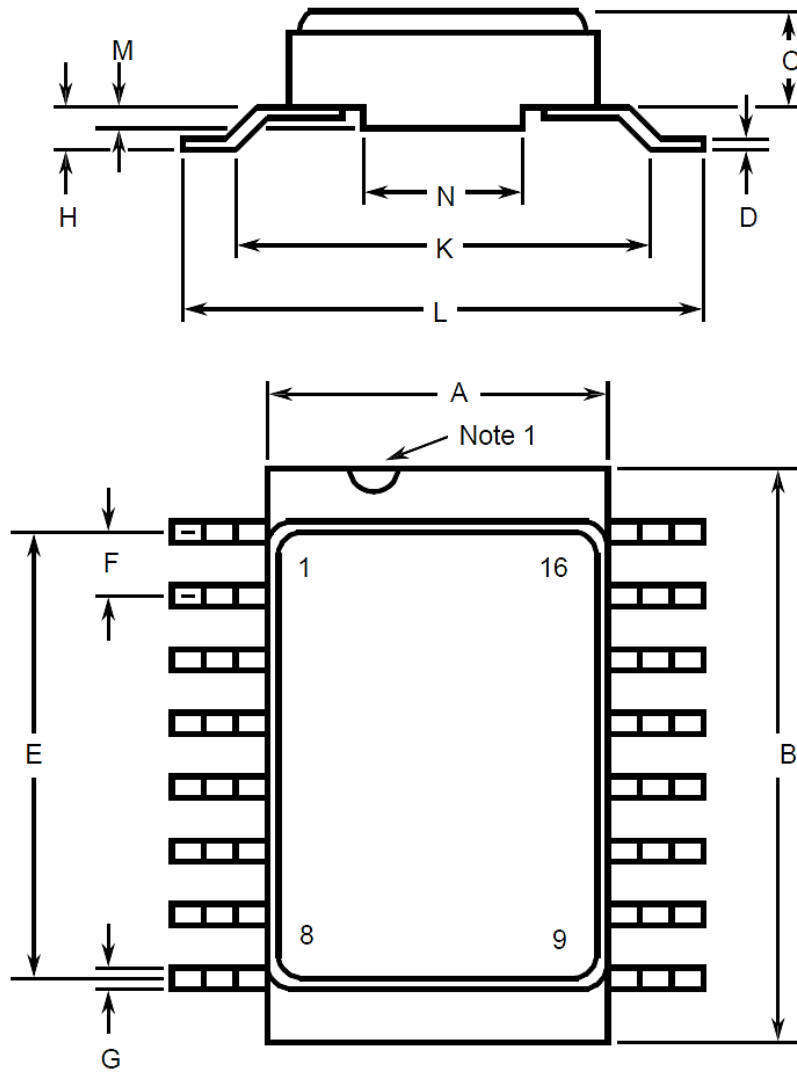
1.7.3 Chip Carrier Package (CCP) - 20 Terminal



Symbols	Dimensions mm		Notes
	Min	Max	
A	1.14	1.95	
A1	1.63	2.36	
B	0.55	0.72	5
C	1.06	1.47	5
C1	1.91	2.41	

Symbols	Dimensions mm		Notes
	Min	Max	
D	8.67	9.09	
D1	7.21	7.52	
d, d1	1.27 BSC		3
d2	7.62 BSC		
E	8.67	9.09	
E1	7.21	7.52	
e, e1	1.27 BSC		3
e2	7.62 BSC		
f, g	-	0.76	
h, h1	1.01 TYPICAL		8
j, j1	0.51 TYPICAL		7

1.7.4 Small Outline Ceramic Package (SO) - 16 Pin



Symbols	Dimensions mm		Notes
	Min	Max	
A	6.75	7.06	
B	9.76	10.14	
C	1.49	1.95	
D	0.1	0.15	5
E	8.76	9.01	
F	1.27 BSC		3, 6
G	0.38	0.48	5
H	0.6	0.9	5

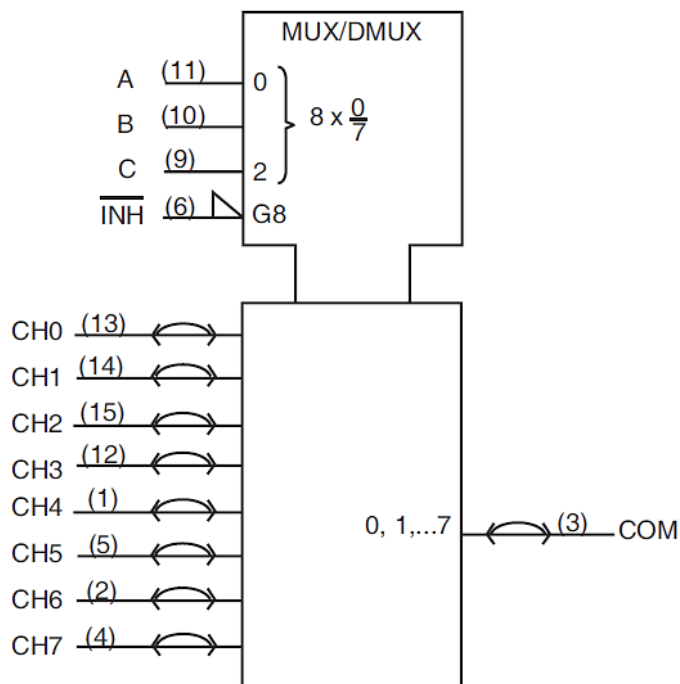
Symbols	Dimensions mm		Notes
	Min	Max	
K	9 TYPICAL		
L	10	10.65	
M	0.33	0.43	
N	4.31 TYPICAL		

1.7.5 Notes to Physical Dimensions and Terminal Identification

1. Index area; a notch or a dot shall be located adjacent to Pin 1 and shall be within the shaded area shown. For chip carrier packages, the index shall be as shown.
2. The dimension shall be measured from the seating plane to the base plane.
3. The true position pin spacing is 1.27mm between centrelines. Each pin centreline shall be located within  $\pm 0.13\text{mm}$  of its true longitudinal position relative to Pin 1 and the highest pin number.
4. The true position pin spacing is 2.54mm between centrelines. Each pin centreline shall be located within  $\pm 0.25\text{mm}$  of its true longitudinal position relative to Pin 1 and the highest pin number.
5. All terminals.
6. 14 spaces.
7. Index corner only - 2 dimensions.
8. 3 non-index corners - 6 dimensions.
9. For all pins, either pin shape may be supplied.

1.8 FUNCTIONAL DIAGRAM

Pin numbers relate to FP, DIP and SO packages only.



1.9 PIN ASSIGNMENT

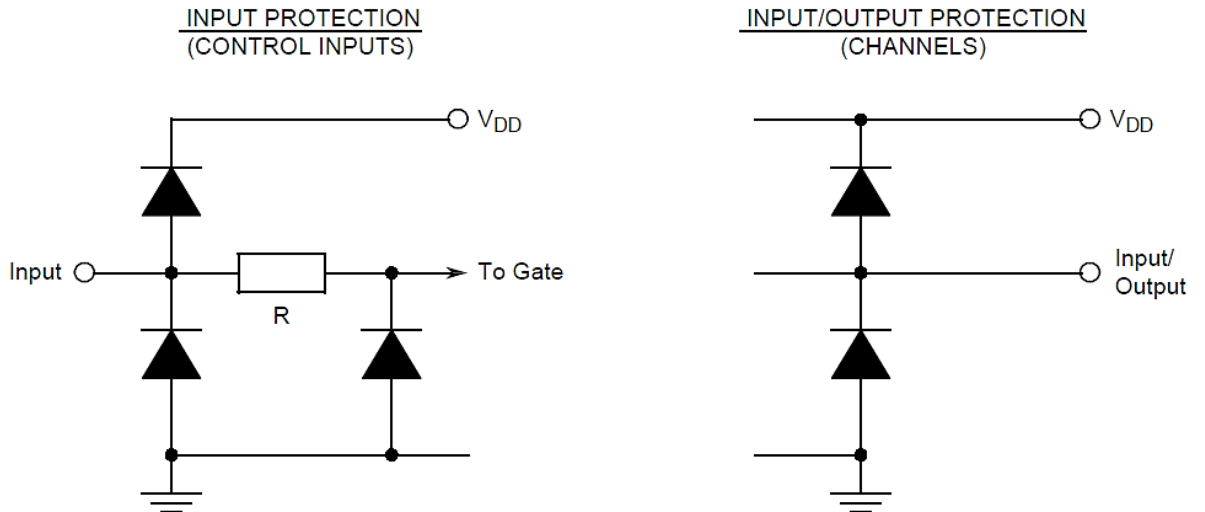
Pin	Function		Pin	Function	
	FP, DIP and SO	CCP		FP, DIP and SO	CCP
1	CH4 Input/Output (Channel)	-	11	A Input (Select)	-
2	CH6 Input/Output (Channel)	CH4 Input/Output (Channel)	12	CH3 Input/Output (Channel)	C Input (Select)
3	COM Output/Input (Common)	CH6 Input/Output (Channel)	13	CH0 Input/Output (Channel)	B Input (Select)
4	CH7 Input/Output (Channel)	COM Output/Input (Common)	14	CH1 Input/Output (Channel)	A Input (Select)
5	CH5 Input/Output (Channel)	CH7 Input/Output (Channel)	15	CH2 Input/Output (Channel)	CH3 Input/Output (Channel)
6	$\overline{\text{INH}}$ Input (Inhibit)	-	16	$V_{\text{DD}}$	-
7	$V_{\text{EE}}$ (Analogue Negative Supply)	CH5 Input/Output (Channel)	17	-	CH0 Input/Output (Channel)
8	$V_{\text{SS}}$ (Digital Negative Supply)	$\overline{\text{INH}}$ Input (Inhibit)	18	-	CH1 Input/Output (Channel)
9	C Input (Select)	$V_{\text{EE}}$ (Analogue Negative Supply)	19	-	CH2 Input/Output (Channel)
10	B Input (Select)	$V_{\text{SS}}$ (Digital Negative Supply)	20	-	$V_{\text{DD}}$

1.10 TRUTH TABLE

1. Logic Level Definitions: L = Low Level, H = High Level, X = Irrelevant.

CONTROL INPUTS				ON CHANNEL
$\overline{INH}$	SELECT			
	C	B	A	
L	L	L	L	0 (CH0 to COM, COM to CH0)
L	L	L	H	1 (CH1 to COM, COM to CH1)
L	L	H	L	2 (CH2 to COM, COM to CH2)
L	L	H	H	3 (CH3 to COM, COM to CH3)
L	H	L	L	4 (CH4 to COM, COM to CH4)
L	H	L	H	5 (CH5 to COM, COM to CH5)
L	H	H	L	6 (CH6 to COM, COM to CH6)
L	H	H	H	7 (CH7 to COM, COM to CH7)
H	X	X	X	NONE (High Impedance)

1.11 PROTECTION NETWORKS



**2 REQUIREMENTS**

**2.1 GENERAL**

The complete requirements for procurement of the components specified herein are as stated in this specification and the ESCC Generic Specification. Permitted deviations from the Generic Specification, applicable to this specification only, are listed below.

Permitted deviations from the Generic Specification and this Detail Specification, formally agreed with specific Manufacturers on the basis that the alternative requirements are equivalent to the ESCC requirement and do not affect the component's reliability, are listed in the appendices attached to this specification.

**2.1.1 Deviations from the Generic Specification**

None.

**2.2 MARKING**

The marking shall be in accordance with the requirements of ESCC Basic Specification No. 21700 and as follows.

The information to be marked on the component shall be:

- (a) Terminal identification.
- (b) The ESCC qualified components symbol (for ESCC qualified components only).
- (c) The ESCC Component Number.
- (d) Traceability information.

**2.3 ELECTRICAL MEASUREMENTS AT ROOM, HIGH AND LOW TEMPERATURES**

Electrical measurements shall be performed at room, high and low temperatures. Consolidated Notes are given after the tables.

**2.3.1 Room Temperature Electrical Measurements**

The measurements shall be performed at  $T_{amb} = +22 \pm 3^{\circ}C$ .

Characteristics	Symbols	MIL-STD-883 Test Method	Test Conditions Note 1	Limits		Units
				Min	Max	
Functional Test 1	-	3014	Verify Truth Table $V_{IL} = 0.3V, V_{IH} = 1.5V$ $V_{DD} = 2V, V_{SS} = V_{EE} = 0V$ $t_r < 1\mu s$ Note 2	-	-	-
Functional Test 2	-	3014	Verify Truth Table $V_{IL} = 0.9V, V_{IH} = 3.15V$ $V_{DD} = 4.5V$ $V_{SS} = V_{EE} = 0V$ $t_r = t_f < 500ns$ Note 2	-	-	-



Characteristics	Symbols	MIL-STD-883 Test Method	Test Conditions Note 1	Limits		Units
				Min	Max	
Functional Test 3	-	3014	Verify Truth Table $V_{IL} = 1.2V, V_{IH} = 4.2V$ $V_{DD} = 6V, V_{SS} = V_{EE} = 0V$ $t_r = t_f < 400ns$ Note 2	-	-	-
Quiescent Current	$I_{DD}$	3005	$V_{IL} = 0V, V_{IH} = 6V$ $V_{DD} = 6V, V_{SS} = V_{EE} = 0V$ Note 3	-	400	nA
Low Level Input Current, Control Inputs	$I_{IL}$	3009	$V_{IN}$ (Under Test) = 0V $V_{IN}$ (Remaining Inputs) = 6V $V_{DD} = 6V, V_{SS} = V_{EE} = 0V$	-	-50	nA
High Level Input Current, Control Inputs	$I_{IH}$	3010	$V_{IN}$ (Under Test) = 6V $V_{IN}$ (Remaining Inputs) = 0V $V_{DD} = 6V, V_{SS} = V_{EE} = 0V$	-	50	nA
Channel OFF Leakage Current 1, Any Channel CHn	$I_{OFF1}$	-	$V_{IL} = 0V, V_{IH} = 6V$ Channel Under Test: $V_{IN}$ (CH) = 6V $V_{IN}$ (COM) = 0V All Other Channels Open $V_{DD} = 6V, V_{SS} = V_{EE} = 0V$	-	-200	nA
Channel OFF Leakage Current 2, Any Channel CHn	$I_{OFF2}$	-	$V_{IL} = 0V, V_{IH} = 6V$ Channel Under Test: $V_{IN}$ (CH) = 0V $V_{IN}$ (COM) = 6V All Other Channels Open $V_{DD} = 6V, V_{SS} = V_{EE} = 0V$	-	200	nA
Channel OFF Leakage Current 3, All Channels Tested Together	$I_{OFF3}$	-	$V_{IL} = 0V, V_{IH} = 6V$ $V_{IN}$ (CH) = 0V $V_{IN}$ (COM) = 6V $V_{DD} = 6V, V_{SS} = V_{EE} = 0V$	-	200	nA
Channel OFF Leakage Current 4, All Channels Tested Together	$I_{OFF4}$	-	$V_{IL} = 0V, V_{IH} = 6V$ $V_{IN}$ (CH) = 6V $V_{IN}$ (COM) = 0V $V_{DD} = 6V, V_{SS} = V_{EE} = 0V$	-	-200	nA
Channel ON Resistance 1	$R_{ON1}$	-	$V_{IL} = 0V, V_{IH} = 3.15V$ $V_{DD} = 4.5V$ $V_{SS} = V_{EE} = 0V$ Note 4	-	180	$\Omega$
Channel ON Resistance 2	$R_{ON2}$	-	$V_{IL} = 0V, V_{IH} = 4.2V$ $V_{DD} = 6V, V_{SS} = V_{EE} = 0V$ Note 4	-	160	$\Omega$
Channel ON Resistance Matching 1	$\Delta R_{ON1}$	-	Note 4	-20	20	$\Omega$

Characteristics	Symbols	MIL-STD-883 Test Method	Test Conditions Note 1	Limits		Units
				Min	Max	
Channel ON Resistance Matching 2	$\Delta R_{ON2}$	-	Note 4	-20	20	$\Omega$
Threshold Voltage N-Channel	$V_{THN}$	-	INH Input and $V_{EE}$ at Ground All Other Inputs: $V_{IN} = 5V$ $V_{DD} = 5V, I_{SS} = -10\mu A$	-0.45	-1.45	V
Threshold Voltage P-Channel	$V_{THP}$	-	INH Input at Ground All Other Inputs: $V_{IN} = -5V$ $V_{SS} = V_{EE} = -5V$ $I_{DD} = 10\mu A$	0.45	1.35	V
Input Clamp Voltage 1, to $V_{SS}$ and Control Inputs	$V_{IC1}$	-	$I_{IN}$ (Under Test) = -100 $\mu A$ $V_{DD} = \text{Open}, V_{SS} = 0V$ All Other Pins Open	-400	-900	mV
Input Clamp Voltage 2, to $V_{DD}$ and Control Inputs	$V_{IC2}$	-	$I_{IN}$ (Under Test) = 100mA $V_{DD} = 0V, V_{SS} = \text{Open}$ All Other Pins Open	400	900	mV
Input Clamp Voltage 3, to $V_{SS}$ , COM and CHn Inputs	$V_{IC3}$	-	$I_{IN}$ (Under Test) = -100 $\mu A$ $V_{DD} = \text{Open}, V_{SS} = 0V$ All Other Pins Open	-200	-900	mV
Input Clamp Voltage 4, to $V_{DD}$ , COM and CHn Inputs	$V_{IC4}$	-	$I_{IN}$ (Under Test) = 100 $\mu A$ $V_{DD} = 0V, V_{SS} = \text{Open}$ All Other Pins Open	200	900	mV
Input Capacitance, Control Inputs	$C_{IN}$	3012	$V_{IN}$ (Not Under Test) = 0V $V_{DD} = V_{SS} = V_{EE} = 0V$ $f = 100\text{kHz to } 1\text{MHz}$ Note 5	-	10	pF
Input or Output Capacitance, CHn Inputs	$C_{CH}$	3012	$V_{IN}$ (Not Under Test) = 0V $V_{DD} = V_{SS} = V_{EE} = 0V$ $f = 100\text{kHz to } 1\text{MHz}$ Note 5	-	10	pF
Output or Input Capacitance, COM	$C_{COM}$	3012	$V_{IN}$ (Not Under Test) = 0V $V_{DD} = V_{SS} = V_{EE} = 0V$ $f = 100\text{kHz to } 1\text{MHz}$ Note 5	-	50	pF

Characteristics	Symbols	MIL-STD-883 Test Method	Test Conditions Note 1	Limits		Units
				Min	Max	
Propagation Delay Low to High 1, CH0 to COM COM to CH0	t <sub>PLH1</sub>	3003	V <sub>IN</sub> (Under Test) = Pulse Generator V <sub>IN</sub> (Remaining Inputs) = Truth Table V <sub>IL</sub> = 0V, V <sub>IH</sub> = 4.5V V <sub>DD</sub> = 4.5V V <sub>SS</sub> = V <sub>EE</sub> = 0V Note 6	-	12	ns
Propagation Delay High to Low 1, CH0 to COM COM to CH0	t <sub>PHL1</sub>	3003	V <sub>IN</sub> (Under Test) = Pulse Generator V <sub>IN</sub> (Remaining Inputs) = Truth Table V <sub>IL</sub> = 0V, V <sub>IH</sub> = 4.5V V <sub>DD</sub> = 4.5V V <sub>SS</sub> = V <sub>EE</sub> = 0V Note 6	-	12	ns
Propagation Delay Low to High 2, A to COM (Channels ON)	t <sub>PLH2</sub>	3003	V <sub>IN</sub> (A) = Pulse Generator V <sub>IN</sub> (Remaining Inputs) = Truth Table V <sub>IN</sub> (CH0) = 0.9V, V <sub>IN</sub> (CH1) = 3.15V V <sub>IL</sub> = 0V, V <sub>IH</sub> = 4.5V V <sub>DD</sub> = 4.5V V <sub>SS</sub> = V <sub>EE</sub> = 0V Note 6	-	45	ns
Propagation Delay High to Low 2, A to COM (Channels ON)	t <sub>PHL2</sub>	3003	V <sub>IN</sub> (A) = Pulse Generator V <sub>IN</sub> (Remaining Inputs) = Truth Table V <sub>IN</sub> (CH0) = 0.9V, V <sub>IN</sub> (CH1) = 3.15V V <sub>IL</sub> = 0V, V <sub>IH</sub> = 4.5V V <sub>DD</sub> = 4.5V V <sub>SS</sub> = V <sub>EE</sub> = 0V Note 6	-	45	ns
Output Enable Time High Impedance to Low Output 1, A to CH1	t <sub>PZL1</sub>	3003	V <sub>IN</sub> (A) = Pulse Generator V <sub>IN</sub> (Remaining Inputs) = Truth Table V <sub>IN</sub> (COM) = 0.9V, V <sub>IL</sub> = 0V, V <sub>IH</sub> = 4.5V V <sub>DD</sub> = 4.5V V <sub>SS</sub> = V <sub>EE</sub> = 0V Note 6	-	45	ns

Characteristics	Symbols	MIL-STD-883 Test Method	Test Conditions Note 1	Limits		Units
				Min	Max	
Output Enable Time High Impedance to Low Output 2, INH to CH1 INH to COM	t <sub>PZL2</sub>	3003	V <sub>IN</sub> (INH) = Pulse Generator V <sub>IN</sub> (Remaining Inputs) = Truth Table V <sub>IN</sub> (CH1 or COM) = 0.9V V <sub>IL</sub> = 0V, V <sub>IH</sub> = 4.5V V <sub>DD</sub> = 4.5V V <sub>SS</sub> = V <sub>EE</sub> = 0V Note 6	-	45	ns
Output Enable Time High Impedance to High Output 1, A to CH1	t <sub>PZH1</sub>	3003	V <sub>IN</sub> (A) = Pulse Generator V <sub>IN</sub> (Remaining Inputs) = Truth Table V <sub>IN</sub> (COM) = 3.15V V <sub>IL</sub> = 0V, V <sub>IH</sub> = 4.5V V <sub>DD</sub> = 4.5V V <sub>SS</sub> = V <sub>EE</sub> = 0V Note 6	-	45	ns
Output Enable Time High Impedance to High Output 2, INH to CH1 INH to COM	t <sub>PZH2</sub>	3003	V <sub>IN</sub> (INH) = Pulse Generator V <sub>IN</sub> (Remaining Inputs) = Truth Table V <sub>IN</sub> (CH1 or COM) = 3.15V V <sub>IL</sub> = 0V, V <sub>IH</sub> = 4.5V V <sub>DD</sub> = 4.5V V <sub>SS</sub> = V <sub>EE</sub> = 0V Note 6	-	45	ns
Output Disable Time Low Output to High Impedance 1, A to CH1	t <sub>PLZ1</sub>	3003	V <sub>IN</sub> (A) = Pulse Generator V <sub>IN</sub> (Remaining Inputs) = Truth Table V <sub>IN</sub> (COM) = 0.9V V <sub>IL</sub> = 0V, V <sub>IH</sub> = 4.5V V <sub>DD</sub> = 4.5V V <sub>SS</sub> = V <sub>EE</sub> = 0V Note 6	-	45	ns
Output Disable Time Low Output to High Impedance 2, INH to CH1 INH to COM	t <sub>PLZ2</sub>	3003	V <sub>IN</sub> (INH) = Pulse Generator V <sub>IN</sub> (Remaining Inputs) = Truth Table V <sub>IN</sub> (CH1 or COM) = 0.9V V <sub>IL</sub> = 0V, V <sub>IH</sub> = 4.5V V <sub>DD</sub> = 4.5V V <sub>SS</sub> = V <sub>EE</sub> = 0V Note 6	-	45	ns

Characteristics	Symbols	MIL-STD-883 Test Method	Test Conditions Note 1	Limits		Units
				Min	Max	
Output Disable Time High Output to High Impedance 1, A to CH1	$t_{PHZ1}$	3003	$V_{IN}(A) =$ Pulse Generator $V_{IN}$ (Remaining Inputs) = Truth Table $V_{IN}(COM) = 3.15V$ $V_{IL} = 0V, V_{IH} = 4.5V$ $V_{DD} = 4.5V$ $V_{SS} = V_{EE} = 0V$ Note 6	-	45	ns
Output Disable Time High Output to High Impedance 2, $\overline{INH}$ to CH1 $\overline{INH}$ to COM	$t_{PHZ2}$	3003	$V_{IN}(\overline{INH}) =$ Pulse Generator $V_{IN}$ (Remaining Inputs) = Truth Table $V_{IN}(CH1 \text{ or } COM) = 3.15V$ $V_{IL} = 0V, V_{IH} = 4.5V$ $V_{DD} = 4.5V,$ $V_{SS} = V_{EE} = 0V$ Note 6	-	45	ns

2.3.2 High and Low Temperatures Electrical Measurements

The measurements shall be performed at  $T_{amb} = +125 (+0 -5)^{\circ}C$  and  $T_{amb} = -55 (+5 -0)^{\circ}C$ .

Characteristics	Symbols	MIL-STD-883 Test Method	Test Conditions Note 1	Limits		Units
				Min	Max	
Functional Test 1	-	3014	Verify Truth Table $V_{IL} = 0.3V, V_{IH} = 1.5V$ $V_{DD} = 2V, V_{SS} = V_{EE} = 0V$ $t_r < 1\mu s$ Note 2	-	-	-
Functional Test 2	-	3014	Verify Truth Table $V_{IL} = 0.9V, V_{IH} = 3.15V$ $V_{DD} = 4.5V$ $V_{SS} = V_{EE} = 0V$ $t_r = t_f < 500ns$ Note 2	-	-	-
Functional Test 3	-	3014	Verify Truth Table $V_{IL} = 1.2V, V_{IH} = 4.2V$ $V_{DD} = 6V, V_{SS} = V_{EE} = 0V$ $t_r = t_f < 400ns$ Note 2	-	-	-
Quiescent Current	$I_{DD}$	3005	$V_{IL} = 0V, V_{IH} = 6V$ $V_{DD} = 6V, V_{SS} = V_{EE} = 0V$ Note 3	-	8	$\mu A$
Low Level Input Current, Control Inputs	$I_{IL}$	3009	$V_{IN}$ (Under Test) = 0V $V_{IN}$ (Remaining Inputs) = 6V $V_{DD} = 6V, V_{SS} = V_{EE} = 0V$	-	-1	$\mu A$

Characteristics	Symbols	MIL-STD-883 Test Method	Test Conditions Note 1	Limits		Units
				Min	Max	
High Level Input Current, Control Inputs	$I_{IH}$	3010	$V_{IN}$ (Under Test) = 6V $V_{IN}$ (Remaining Inputs) = 0V $V_{DD} = 6V, V_{SS} = V_{EE} = 0V$	-	1	$\mu A$
Channel OFF Leakage Current 1, Any Channel CHn	$I_{OFF1}$	-	$V_{IL} = 0V, V_{IH} = 6V$ Channel Under Test: $V_{IN}$ (CH) = 6V $V_{IN}$ (COM) = 0V All Other Channels Open $V_{DD} = 6V, V_{SS} = V_{EE} = 0V$	-	-2	$\mu A$
Channel OFF Leakage Current 2, Any Channel CHn	$I_{OFF2}$	-	$V_{IL} = 0V, V_{IH} = 6V$ Channel Under Test: $V_{IN}$ (CH) = 0V $V_{IN}$ (COM) = 6V All Other Channels Open $V_{DD} = 6V, V_{SS} = V_{EE} = 0V$	-	2	$\mu A$
Channel OFF Leakage Current 3, All Channels Tested Together	$I_{OFF3}$	-	$V_{IL} = 0V, V_{IH} = 6V$ $V_{IN}$ (CH) = 0V $V_{IN}$ (COM) = 6V $V_{DD} = 6V, V_{SS} = V_{EE} = 0V$	-	2	$\mu A$
Channel OFF Leakage Current 4, All Channels Tested Together	$I_{OFF4}$	-	$V_{IL} = 0V, V_{IH} = 6V$ $V_{IN}$ (CH) = 6V $V_{IN}$ (COM) = 0V $V_{DD} = 6V, V_{SS} = V_{EE} = 0V$	-	-2	$\mu A$
Channel ON Resistance 1	$R_{ON1}$	-	$V_{IL} = 0V, V_{IH} = 3.15V$ $V_{DD} = 4.5V$ $V_{SS} = V_{EE} = 0V$ Note 4	-	270	$\Omega$
Channel ON Resistance 2	$R_{ON2}$	-	$V_{IL} = 0V, V_{IH} = 4.2V$ $V_{DD} = 6V, V_{SS} = V_{EE} = 0V$ Note 4	-	240	$\Omega$
Channel ON Resistance Matching 1	$\Delta R_{ON1}$	-	Note 4	-20	20	$\Omega$
Channel ON Resistance Matching 2	$\Delta R_{ON2}$	-	Note 4	-20	20	$\Omega$
Input Clamp Voltage 1, to $V_{SS}$ and Control Inputs	$V_{IC1}$	-	$I_{IN}$ (Under Test) = -100 $\mu A$ $V_{DD} = \text{Open}, V_{SS} = 0V$ All Other Pins Open	-0.1	-1.2	V
Input Clamp Voltage 2, to $V_{DD}$ and Control Inputs	$V_{IC2}$	-	$I_{IN}$ (Under Test) = 100 $\mu A$ $V_{DD} = 0V, V_{SS} = \text{Open}$ All Other Pins Open	0.1	1.2	V

Characteristics	Symbols	MIL-STD-883 Test Method	Test Conditions Note 1	Limits		Units
				Min	Max	
Input Clamp Voltage 3, to $V_{SS}$ , COM and CHn Inputs	$V_{IC3}$	-	$I_{IN}$ (Under Test) = $-100\mu A$ $V_{DD}$ = Open, $V_{SS}$ = 0V All Other Pins Open	-0.05	-1.2	V
Input Clamp Voltage 4, to $V_{DD}$ , COM and CHn Inputs	$V_{IC4}$	-	$I_{IN}$ (Under Test) = $100\mu A$ $V_{DD}$ = 0V, $V_{SS}$ = Open All Other Pins Open	0.05	1.2	V

2.3.3 Notes to Electrical Measurement Tables

- Unless otherwise specified all inputs and outputs shall be tested for each characteristic, inputs not under test shall be  $V_{IN} = V_{SS}$  or  $V_{DD}$  and outputs not under test shall be open.
- Functional tests shall be performed with  $f = 10kHz$  (min). The maximum time to output comparator strobe =  $30\mu s$ .
- Quiescent Current shall be tested using the following input conditions where 1 =  $V_{IH}$  and 0 =  $V_{IL}$ :

TEST	INPUT CONDITION												
	$\overline{INH}$	A	B	C	COM	CH0	CH1	CH2	CH3	CH4	CH5	CH6	CH7
(a)	0	0	0	0	1	1	1	1	1	1	1	1	1
(b)	0	1	1	0	1	1	1	1	1	1	1	1	1
(c)	0	0	0	0	1	1	1	1	1	1	1	1	1
(d)	0	1	1	0	0	0	0	0	0	0	0	0	0
(e)	0	0	0	1	1	1	1	1	1	1	1	1	1
(f)	0	1	1	1	0	0	0	0	0	0	0	0	0
(g)	0	0	0	1	0	0	0	0	0	0	0	0	0
(h)	0	1	1	1	0	0	0	0	0	0	0	0	0
(i)	1	0	0	0	1	1	1	1	1	1	1	1	1

- Channel ON Resistance shall be tested for each channel, in both directions using the following input conditions:
  - $\overline{INH} = V_{IL}$
  - A, B, C =  $V_{IL}$  or  $V_{IH}$  per Truth Table to select channel under test.
  - $I_{IN}$  (CH or COM) = 1mA
  - $R_{ON1}$  shall be tested with  $V_{IN}$  (CH or COM) = 0.5V, 1V, 3.5V and 4V  
 $R_{ON2}$  shall be tested with  $V_{IN}$  (CH or COM) = 1V, 3V and 5V

Channel ON Resistance Matching shall be calculated as follows: The results of the Channel ON Resistance measurements of each Channel's Input/Output to the Common Output/Input, and reverse, shall be compared and shall not exceed the specified limits.
- Guaranteed but not tested.

6. Measurements shall be performed as a go-no-go test on a 100% basis. Read and record measurements shall be performed on a sample of 5 components.

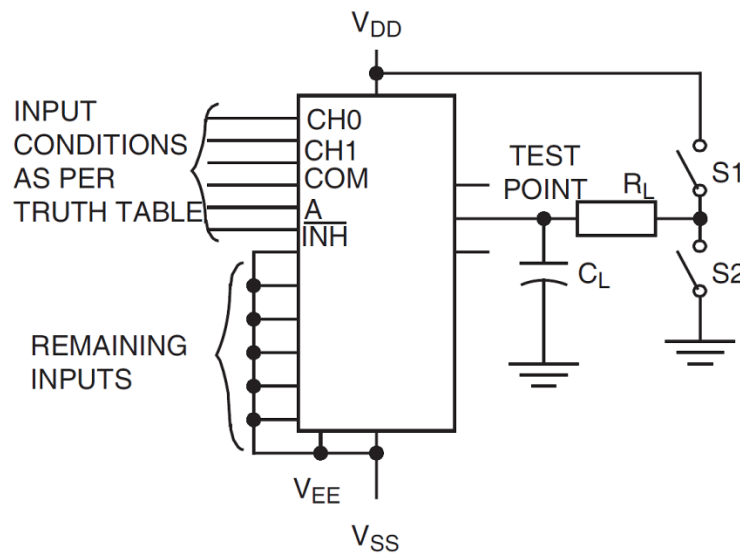
The pulse generator shall have the following characteristics:

$V_{GEN} = 0$  to  $V_{DD}$ ;  $f_{GEN} = 1\text{MHz}$  minimum;  $t_r$  and  $t_f \leq 6\text{ns}$  (10% to 90%); duty cycle = 50%;  $Z_{out} = 50\Omega$ .

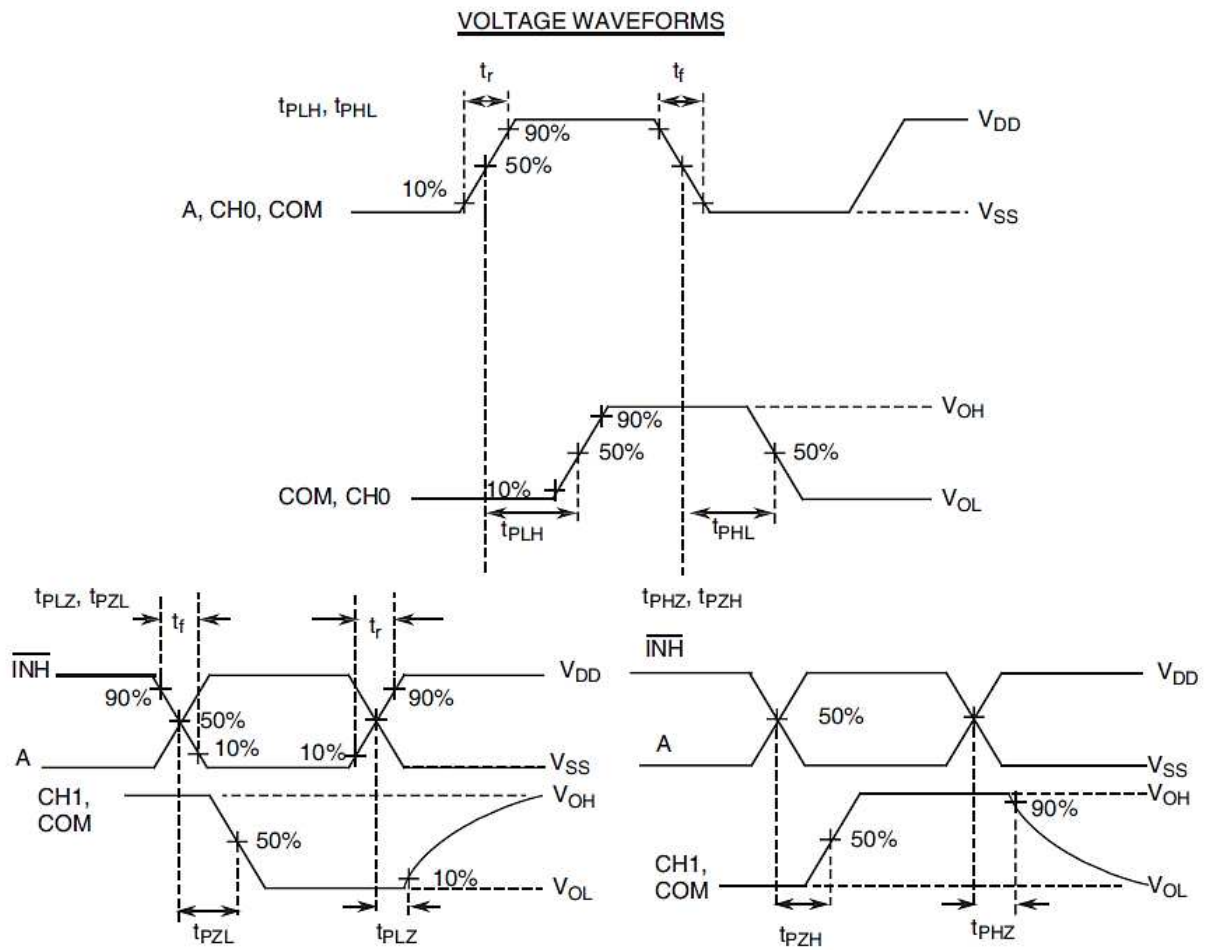
Output load capacitance  $C_L = 50\text{pF} \pm 5\%$  including scope probe, wiring and stray capacitance without component in the test fixture and channel bias resistance  $R_L = 1\text{k}\Omega \pm 5\%$ .

Propagation delay times shall be measured as follows:

PARAMETER	$R_L$	$C_L$	$S_1$	$S_2$
$t_{PZH}$	1k $\Omega$	50pF	OPEN	CLOSED
$t_{PZL}$			CLOSED	OPEN
$t_{PHZ}$	1k $\Omega$	50pF	OPEN	CLOSED
$t_{PLZ}$			CLOSED	OPEN
$t_{PHL}, t_{PLH}$	-	50pF	OPEN	OPEN







2.4 PARAMETER DRIFT VALUES

Unless otherwise specified, the measurements shall be performed at  $T_{amb} = +22 \pm 3^{\circ}C$ .

The test methods and test conditions shall be as per the corresponding test defined in Room Temperature Electrical Measurements.

The drift values ( $\Delta$ ) shall not be exceeded for each characteristic specified. The corresponding absolute limit values for each characteristic shall not be exceeded.

Characteristics	Symbols	Limits			Units
		Drift Value $\Delta$	Absolute		
			Min	Max	
Quiescent Current	$I_{DD}$	$\pm 120$	-	400	nA
Low Level Input Current, Control Inputs	$I_{IL}$	$\pm 20$	-	-50	nA
High Level Input Current, Control Inputs	$I_{IH}$	$\pm 20$	-	50	nA

Characteristics	Symbols	Limits			Units
		Drift Value $\Delta$	Absolute		
			Min	Max	
Channel ON Resistance 1, CH4 to COM COM to CH4 Note 2	R <sub>ON1</sub>	$\pm 20$	-	180	$\Omega$
Channel ON Resistance 2, CH4 to COM COM to CH4 Note 2	R <sub>ON2</sub>	$\pm 20$	-	160	$\Omega$
Threshold Voltage N-Channel	V <sub>THN</sub>	$\pm 0.3$	-0.45	-1.45	V
Threshold Voltage P-Channel	V <sub>THP</sub>	$\pm 0.3$	0.45	1.35	V

**NOTES:**

1. Unless otherwise specified all inputs and outputs shall be tested for each characteristic.
2. Channel ON Resistance shall be tested at each input voltage level specified in Room Temperature Electrical Measurements in both directions for CH4 to COM only.

2.5 INTERMEDIATE AND END-POINT ELECTRICAL MEASUREMENTS

Unless otherwise specified, the measurements shall be performed at T<sub>amb</sub> = +22  $\pm$ 3°C.

The test methods and test conditions shall be as per the corresponding test defined in Room Temperature Electrical Measurements.

The drift values ( $\Delta$ ) shall not be exceeded for each characteristic where specified. The corresponding absolute limit values for each characteristic shall not be exceeded.

Characteristics	Symbols	Limits			Units
		Drift Value $\Delta$	Absolute		
			Min	Max	
Functional Test 1	-	-	-	-	-
Functional Test 2	-	-	-	-	-
Functional Test 3	-	-	-	-	-
Quiescent Current	I <sub>DD</sub>	$\pm 120$	-	400	nA
Low Level Input Current, Control Inputs	I <sub>IL</sub>	$\pm 20$	-	-50	nA
High Level Input Current, Control Inputs	I <sub>IH</sub>	$\pm 20$	-	50	nA
Channel OFF Leakage Current 1, Any Channel CHn	I <sub>OFF1</sub>	-	-	-200	nA
Channel OFF Leakage Current 3, All Channels Tested Together	I <sub>OFF3</sub>	-	-	200	nA

Characteristics	Symbols	Limits			Units
		Drift Value $\Delta$	Absolute		
			Min	Max	
Channel ON Resistance 1	$R_{ON1}$	$\pm 20$	-	180	$\Omega$
Channel ON Resistance 2	$R_{ON2}$	$\pm 20$	-	160	$\Omega$
Threshold Voltage N-Channel	$V_{THN}$	$\pm 0.3$	-0.45	-1.45	V
Threshold Voltage P-Channel	$V_{THP}$	$\pm 0.3$	0.45	1.35	V

**NOTES:**

1. Unless otherwise specified all inputs and outputs shall be tested for each characteristic.
2. The drift values ( $\Delta$ ) are applicable to the Operating Life test only.

2.6 HIGH TEMPERATURE REVERSE BIAS BURN-IN CONDITIONS

2.6.1 N-Channel HTRB

Characteristics	Symbols	Test Conditions	Units
Ambient Temperature	$T_{amb}$	+125 (+0 -5)	$^{\circ}C$
Output COM	$V_{OUT}$	Open or $V_{SS}$	V
Inputs CHn	$V_{IN}$	$V_{SS}$	V
Inputs $\overline{INH}$ , A, B, C	$V_{IN}$	$V_{DD}$	V
Positive Supply Voltage	$V_{DD}$	6 (+0 -0.5)	V
Negative Supply Voltage	$V_{SS}$	0	V
Negative Supply Voltage	$V_{EE}$	0	V
Duration	t	72	Hours

**NOTES:**

1. Input Protection Resistor = 680 $\Omega$  min to 47k $\Omega$  max.
2. Output Load = 1k $\Omega$  min to 10k $\Omega$  max.

2.6.2 P-Channel HTRB

Characteristics	Symbols	Test Conditions	Units
Ambient Temperature	$T_{amb}$	+125 (+0 -5)	°C
Output COM	$V_{OUT}$	Open or $V_{SS}$	V
Inputs CHn	$V_{IN}$	$V_{DD}$	V
Inputs $\overline{INH}$ , A, B, C	$V_{IN}$	$V_{SS}$	V
Positive Supply Voltage	$V_{DD}$	6 (+0 -0.5)	V
Negative Supply Voltage	$V_{SS}$	0	V
Negative Supply Voltage	$V_{EE}$	0	V
Duration	t	72	Hours

**NOTES:**

1. Input Protection Resistor = 2kΩ min to 47kΩ max.
2. Output Load = 1kΩ min to 10kΩ max.

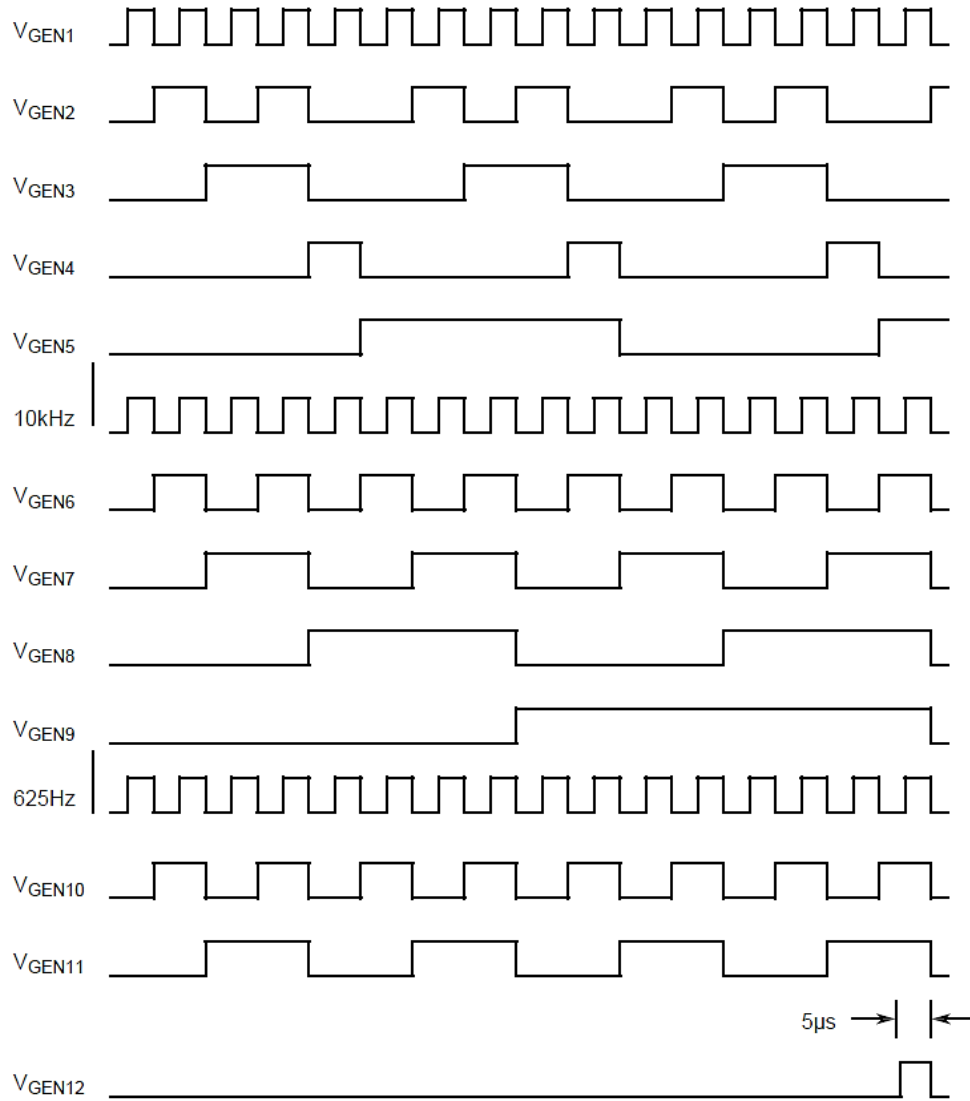
2.7 POWER BURN-IN CONDITIONS

Characteristics	Symbols	Test Conditions	Units
Ambient Temperature	$T_{amb}$	+125 (+0 -5)	°C
Output COM	$V_{OUT}$	$V_{DD}$	V
Input A	$V_{IN}$	$V_{GEN1}$	V
Input B	$V_{IN}$	$V_{GEN2}$	V
Input C	$V_{IN}$	$V_{GEN3}$	V
Input CH0	$V_{IN}$	$V_{GEN4}$	V
Input CH1	$V_{IN}$	$V_{GEN5}$	V
Input CH2	$V_{IN}$	$V_{GEN6}$	V
Input CH3	$V_{IN}$	$V_{GEN7}$	V
Input CH4	$V_{IN}$	$V_{GEN8}$	V
Input CH5	$V_{IN}$	$V_{GEN9}$	V
Input CH6	$V_{IN}$	$V_{GEN10}$	V
Input CH7	$V_{IN}$	$V_{GEN11}$	V
Input $\overline{INH}$	$V_{IN}$	$V_{GEN12}$	V
Pulse Voltage	$V_{GEN}$	0V to $V_{DD}$	V

Characteristics	Symbols	Test Conditions	Units
Pulse Frequency Square Wave	f <sub>GEN1</sub> f <sub>GEN2</sub> f <sub>GEN3</sub> f <sub>GEN4</sub> f <sub>GEN5</sub> f <sub>GEN6</sub> f <sub>GEN7</sub> f <sub>GEN8</sub> f <sub>GEN9</sub> f <sub>GEN10</sub> f <sub>GEN11</sub> f <sub>GEN12</sub>	100k ±10% 20k ±10% 20k ±10% 20k ±10% 10k ±10% 5k ±10% 2.5k ±10% 1.25k ±10% 625 ±10% 312.5 ±10% 156.25 ±10% One 5µs positive pulse each 35ms t <sub>r</sub> = t <sub>f</sub> ≤ 400ns See Note 3	Hz
Positive Supply Voltage	V <sub>DD</sub>	6 (+0 -0.5)	V
Negative Supply Voltage	V <sub>SS</sub>	0	V
Negative Supply Voltage	V <sub>EE</sub>	0	V

**NOTES:**

1. Input Protection Resistor = 680Ω min to 100kΩ max.
2. Output Load = 1kΩ min to 10kΩ max.
3. Input waveforms to indicate required timing and phase relationship:



## 2.8 OPERATING LIFE CONDITIONS

The conditions shall be as specified for Power Burn-in.

2.9 TOTAL DOSE RADIATION TESTING

2.9.1 Bias Conditions and Total Dose Level for Total Dose Radiation Testing

Continuous bias shall be applied during irradiation testing as specified below.

The total dose level applied shall be as specified in the component type variant information herein or in the Purchase Order.

Characteristics	Symbols	Test Conditions	Units
Ambient Temperature	T <sub>amb</sub>	+22 ±3	°C
Output COM	V <sub>OUT</sub>	Open	V
Inputs CH0, CH1, CH2, CH3, CH4, CH5, CH6, A, B, C	V <sub>IN</sub>	V <sub>DD</sub>	V
Inputs CH7, $\overline{INH}$	V <sub>IN</sub>	V <sub>SS</sub>	V
Positive Supply Voltage	V <sub>DD</sub>	6 ±0.3	V
Negative Supply Voltage	V <sub>SS</sub>	0	V
Negative Supply Voltage	V <sub>EE</sub>	0	V

**NOTES:**

1. Input Protection Resistor = 680Ω min to 47kΩ max.

2.9.2 Electrical Measurements for Total Dose Radiation Testing

Prior to irradiation testing the devices shall have successfully met Room Temperature Electrical Measurements specified herein.

Unless otherwise stated the measurements shall be performed at T<sub>amb</sub> = +22 ±3°C.

The test methods and test conditions shall be as per the corresponding test defined in Room Temperature Electrical Measurements.

The parameters to be measured during and on completion of irradiation testing are shown below.

Unless otherwise specified all inputs and outputs shall be tested for each characteristic.

Characteristics	Symbols	Limits			Units
		Drift Value Δ	Absolute		
			Min	Max	
Quiescent Current	I <sub>DD</sub>	-	-	40	μA
Threshold Voltage N-Channel	V <sub>THN</sub>	±0.6	-0.4	-1.5	V
Threshold Voltage P-Channel	V <sub>THP</sub>	±0.6	0.4	1.4	V

**APPENDIX 'A'**  
**AGREED DEVIATIONS FOR STMICROELECTRONICS (F)**

ITEMS AFFECTED	DESCRIPTION OF DEVIATIONS
<p>Deviations from Screening Tests - Chart F3</p>	<p>External Visual Inspection: The criteria applicable to chip-outs are those described in MIL-STD-883, Test Method 2009, Paras 3.3.6(b) and 3.3.7(a).</p> <p>High Temperature Reverse Bias Burn-in: The temperature limits of MIL-STD-883, Para. 4.5.8(c) may be used.</p> <p>Power Burn-in test is performed using STMicroelectronics Specification Ref: 0019255.</p> <p>Solderability is not applicable unless specifically stipulated in the Purchase Order.</p>
<p>Deviations from Qualification and Periodic Tests - Chart F4</p>	<p>External Visual Inspection: The criteria applicable to chip-outs are those described in MIL-STD-883, Test Method 2009, Paras 3.3.6(b) and 3.3.7(a).</p> <p>Operating Life: The temperature limits of MIL-STD-883, Para. 4.5.8(c) may be used.</p>
<p>Deviations from High and Low Temperatures Electrical Measurements</p>	<p>The Channel ON Resistance Matching (1 and 2) calculations are not performed.</p> <p>High and Low Temperatures Electrical Measurements may be considered guaranteed but not tested if successful pilot lot testing has been performed on the wafer lot which includes High and Low Temperatures Electrical Measurements per the Detail Specification.</p> <p>A summary of the pilot lot testing shall be provided if required by the Purchase Order.</p>
<p>Deviations from Room Temperature Electrical Measurements</p>	<p>The Channel ON Resistance Matching (1 and 2) calculations are not performed.</p> <p>All AC characteristics (Capacitance and Timings) may be considered guaranteed but not tested if successful pilot lot testing has been performed on the wafer lot which includes AC characteristic measurements per the Detail Specification.</p> <p>A summary of the pilot lot testing shall be provided if required by the Purchase Order.</p>