



**INTEGRATED CIRCUITS, SILICON MONOLITHIC, HMOS
QUAD BILATERAL SWITCH**

BASED ON TYPE 54HC4066

ESCC Detail Specification No. 9408/052

Issue 5	May 2019
---------	----------



LEGAL DISCLAIMER AND COPYRIGHT

European Space Agency, Copyright © 2019. All rights reserved.

The European Space Agency disclaims any liability or responsibility, to any person or entity, with respect to any loss or damage caused, or alleged to be caused, directly or indirectly by the use and application of this ESCC publication.

This publication, without the prior permission of the European Space Agency and provided that it is not used for a commercial purpose, may be:

- copied in whole, in any medium, without alteration or modification.
- copied in part, in any medium, provided that the ESCC document identification, comprising the ESCC symbol, document number and document issue, is removed.

DOCUMENTATION CHANGE NOTICE

(Refer to <https://escies.org> for ESCC DCR content)

DCR No.	CHANGE DESCRIPTION
1184 1200 1258	Specification upissued to incorporate changes per DCR.

TABLE OF CONTENTS

1	GENERAL	5
1.1	SCOPE	5
1.2	APPLICABLE DOCUMENTS	5
1.3	TERMS, DEFINITIONS, ABBREVIATIONS, SYMBOLS AND UNITS	5
1.4	THE ESCC COMPONENT NUMBER AND COMPONENT TYPE VARIANTS	5
1.4.1	The ESCC Component Number	5
1.4.2	Component Type Variants	5
1.5	MAXIMUM RATINGS	6
1.6	HANDLING PRECAUTIONS	6
1.7	PHYSICAL DIMENSIONS AND TERMINAL IDENTIFICATION	7
1.7.1	Flat Package (FP) – 14 Pin	7
1.7.2	Dual-in-line Package (DIP) - 14 Pin	8
1.7.3	Notes to Physical Dimensions and Terminal Identification	9
1.8	FUNCTIONAL DIAGRAM	9
1.9	PIN ASSIGNMENT	9
1.10	TRUTH TABLE	10
1.11	PROTECTION NETWORKS	10
2	REQUIREMENTS	10
2.1	GENERAL	10
2.1.1	Deviations from the Generic Specification	10
2.2	MARKING	11
2.3	ELECTRICAL MEASUREMENTS AT ROOM, HIGH AND LOW TEMPERATURES	11
2.3.1	Room Temperature Electrical Measurements	11
2.3.2	High and Low Temperatures Electrical Measurements	14
2.3.3	Notes to Electrical Measurement Tables	15
2.4	PARAMETER DRIFT VALUES	17
2.5	INTERMEDIATE AND END-POINT ELECTRICAL MEASUREMENTS	18
2.6	HIGH TEMPERATURE REVERSE BIAS BURN-IN CONDITIONS	18
2.6.1	N-Channel HTRB	18
2.6.2	P-Channel HTRB	19
2.7	POWER BURN-IN CONDITIONS	19
2.8	OPERATING LIFE CONDITIONS	19
2.9	TOTAL DOSE RADIATION TESTING	20
2.9.1	Bias Conditions and Total Dose Level for Total Dose Radiation Testing	20
2.9.2	Electrical Measurements for Total Dose Radiation Testing	20
	APPENDIX 'A'	21

1 GENERAL

1.1 SCOPE

This specification details the ratings, physical and electrical characteristics and test and inspection data for the component type variants and/or the range of components specified below. It supplements the requirements of, and shall be read in conjunction with, the ESCC Generic Specification listed under Applicable Documents.

1.2 APPLICABLE DOCUMENTS

The following documents form part of this specification and shall be read in conjunction with it:

- (a) ESCC Generic Specification No. [9000](#)
- (b) [MIL-STD-883](#), Test Methods and Procedures for Microelectronics

1.3 TERMS, DEFINITIONS, ABBREVIATIONS, SYMBOLS AND UNITS

For the purpose of this specification, the terms, definitions, abbreviations, symbols and units specified in ESCC Basic Specification No. [21300](#) shall apply.

1.4 THE ESCC COMPONENT NUMBER AND COMPONENT TYPE VARIANTS

1.4.1 The ESCC Component Number

The ESCC Component Number shall be constituted as follows:

Example: 940805201F

- Detail Specification Reference: 9408052
- Component Type Variant Number: 01 (as required)
- Total Dose Radiation Level Letter: F (as required)

1.4.2 Component Type Variants

The component type variants applicable to this specification are as follows:

Variant Number	Based on Type	Case	Terminal Material and Finish	Weight max g	Total Dose Radiation Level Letter
01	54HC4066	FP	G2	0.7	F [50kRAD(Si)]
02	54HC4066	FP	G4	0.7	F [50kRAD(Si)]
03	54HC4066	DIP	G2	2.2	F [50kRAD(Si)]
04	54HC4066	DIP	G4	2.2	F [50kRAD(Si)]

The terminal material and finish shall be in accordance with the requirements of ESCC Basic Specification No. [23500](#).

Total dose radiation level letters are defined in ESCC Basic Specification No. [22900](#). If an alternative radiation test level is specified in the Purchase Order the letter shall be changed accordingly.

1.5 MAXIMUM RATINGS

The maximum ratings shall not be exceeded at any time during use or storage.

Maximum ratings shall only be exceeded during testing to the extent specified in this specification and when stipulated in Test Methods and Procedures of the ESCC Generic Specification.

Characteristics	Symbols	Maximum Ratings	Units	Remarks
Supply Voltage	V_{DD}	-0.5 to 7	V	Note 1
Input Voltage	V_{IN}	-0.5 to $V_{DD}+0.5$	V	Notes 1, 2
Output Voltage	V_{OUT}	-0.5 to $V_{DD}+0.5$	V	Notes 1, 3
Device Power Dissipation (Continuous)	P_D	300	mW	Note 4
Supply Current	I_{DDop}	50	mA	
Operating Temperature Range	T_{op}	-55 to +125	°C	T_{amb}
Storage Temperature Range	T_{stg}	-65 to +150	°C	
Soldering Temperature	T_{sol}	+265	°C	Note 5

NOTES:

1. Device is functional for $2V \leq V_{DD} \leq 6V$.
2. Input current limited to $I_{IC} = \pm 20mA$.
3. Output current limited to $I_{OUT} = \pm 25mA$.
4. The maximum device dissipation is determined by $I_{DDop} \text{ max } (50mA) \times 6V$.
5. Duration 10 seconds maximum at a distance of not less than 1.5mm from the device body and the same terminal shall not be resoldered until 3 minutes have elapsed.

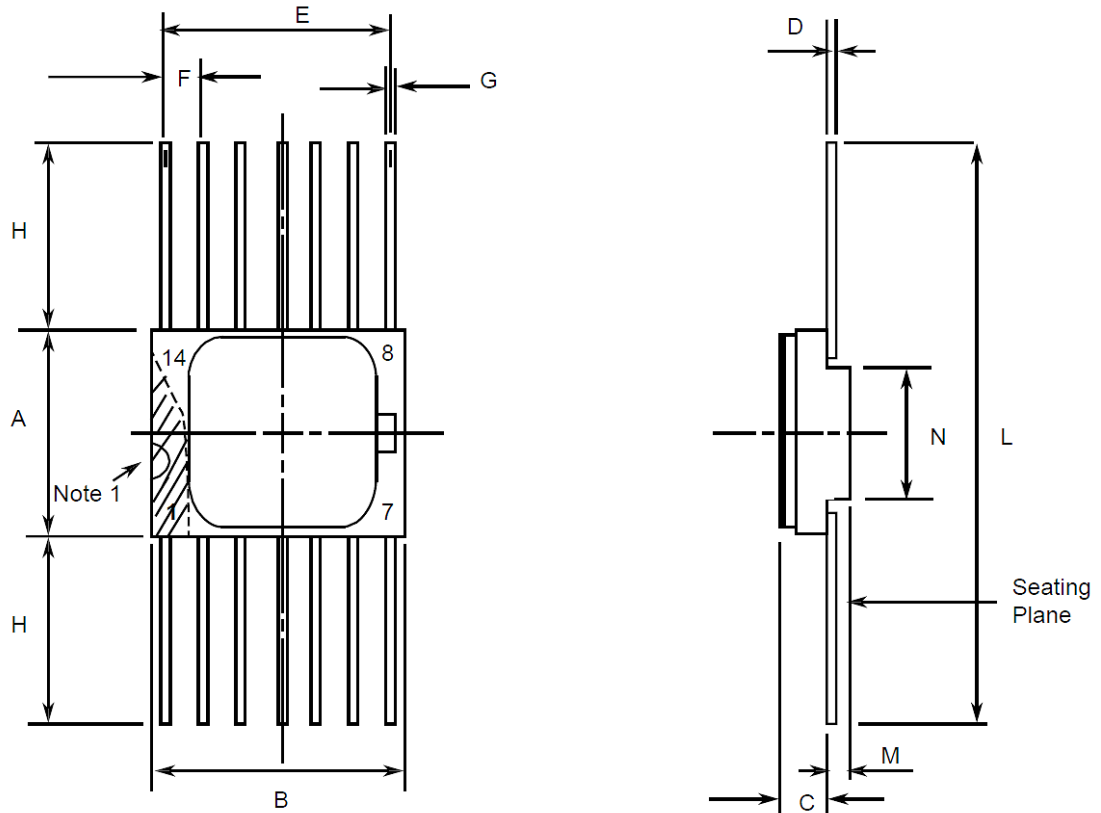
1.6 HANDLING PRECAUTIONS

These devices are susceptible to damage by electrostatic discharge. Therefore, suitable precautions shall be employed for protection during all phases of manufacture, testing, packaging, shipment and any handling. These components are categorised as Class 2 per ESCC Basic Specification No. [23800](#) with a Minimum Critical Path Failure Voltage of 2500 Volts.

1.7 PHYSICAL DIMENSIONS AND TERMINAL IDENTIFICATION

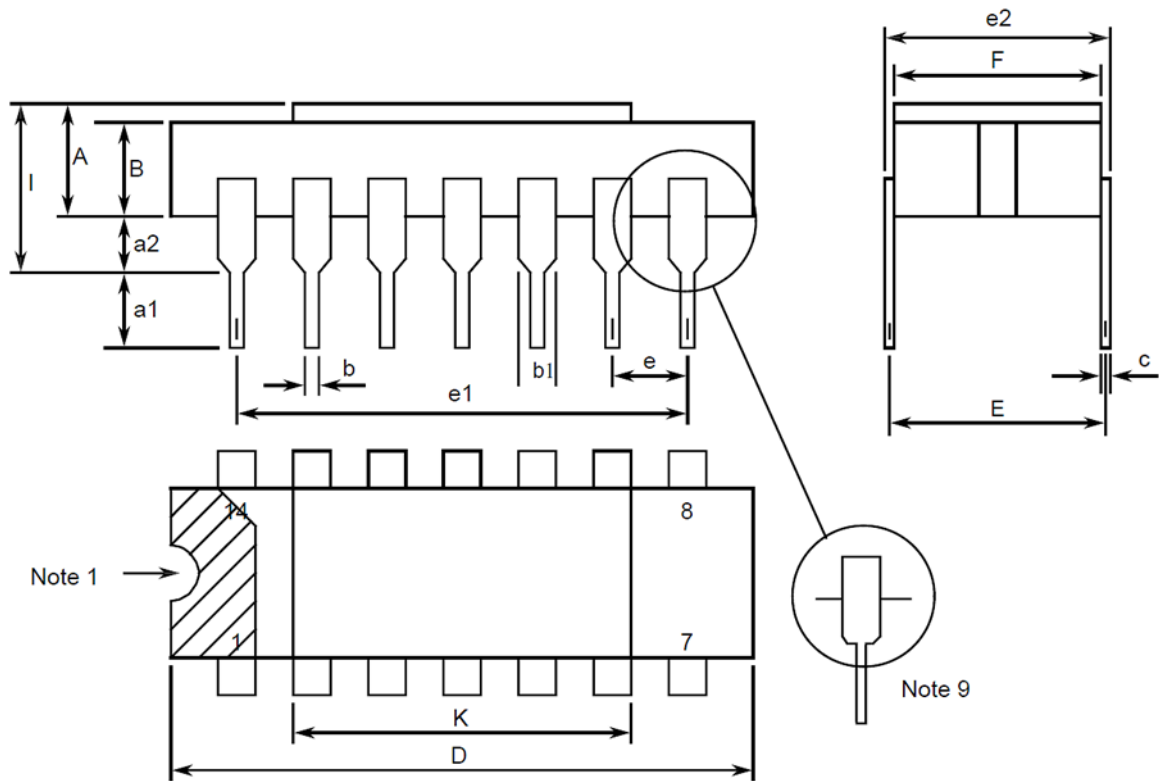
Consolidated Notes are given in Para. 1.7.3.

1.7.1 Flat Package (FP) – 14 Pin



Symbols	Dimensions mm		Notes
	Min	Max	
A	6.75	7.06	
B	9.76	10.14	
C	1.49	1.95	
D	0.1	0.15	5
E	7.5	7.75	
F	1.27 BSC		3, 6
G	0.38	0.48	5
H	6	-	5
L	18.75	22	
M	0.33	0.43	
N	4.32 TYPICAL		

1.7.2 Dual-in-line Package (DIP) - 14 Pin

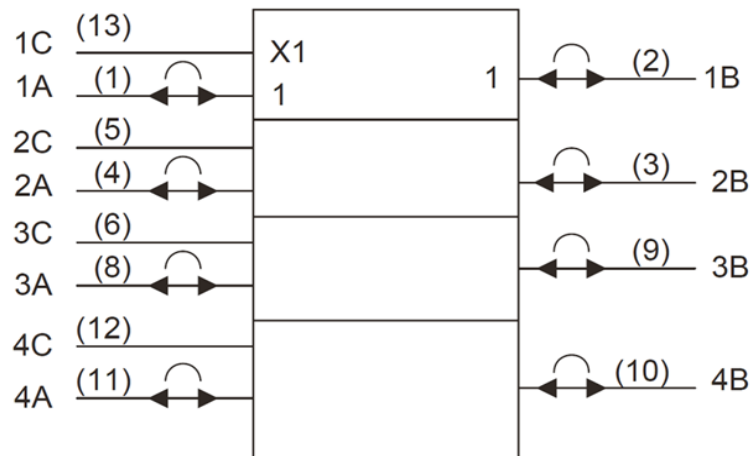


Symbols	Dimensions mm		Notes
	Min	Max	
A	2.1	2.54	
a1	3	3.7	
a2	0.63	1.14	2
B	1.82	2.23	
b	0.4	0.5	5
b1	1.27 TYPICAL		5
c	0.2	0.3	5
D	18.79	19.2	
E	7.36	7.87	
e	2.54 BSC		4, 6
e1	15.11	15.37	
e2	7.62	8.12	
F	7.11	7.75	
I	-	3.7	
K	10.9	12.1	

1.7.3 Notes to Physical Dimensions and Terminal Identification

1. Index area; a notch or a dot shall be located adjacent to Pin 1 and shall be within the shaded area shown. For chip carrier packages, the index shall be as shown.
2. The dimension shall be measured from the seating plane to the base plane.
3. The true position pin spacing is 1.27mm between centrelines. Each pin centreline shall be located within $\pm 0.13\text{mm}$ of its true longitudinal position relative to Pin 1 and the highest pin number.
4. The true position pin spacing is 2.54mm between centrelines. Each pin centreline shall be located within $\pm 0.25\text{mm}$ of its true longitudinal position relative to Pin 1 and the highest pin number.
5. All terminals.
6. 12 spaces.
9. For all pins, either pin shape may be supplied.

1.8 FUNCTIONAL DIAGRAM



NOTES:

1. The package lid for all packages is not connected to any terminal.

1.9 PIN ASSIGNMENT

Pin	Function	Pin	Function
1	1A Input / Output (Channel 1)	8	3A Input / Output (Channel 3)
2	1B Output / Input (Channel 1)	9	3B Output / Input (Channel 3)
3	2B Output / Input (Channel 2)	10	4B Output / Input (Channel 4)
4	2A Input / Output (Channel 2)	11	4A Input / Output (Channel 4)
5	2C Input (Control 2)	12	4C Input (Control 4)
6	3C Input (Control 3)	13	1C Input (Control 1)
7	V _{SS}	14	V _{DD}

1.10 TRUTH TABLE

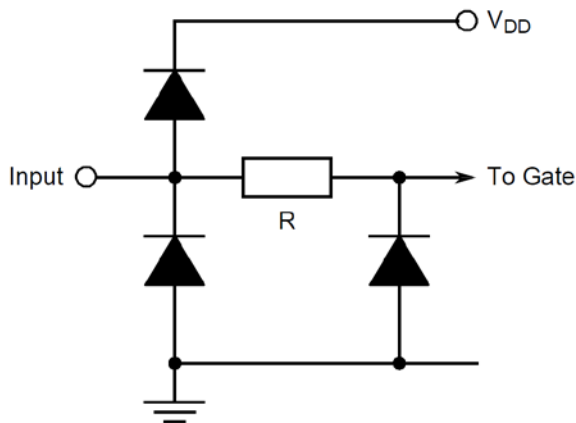
1. Logic Level Definitions: L = Low Level, H = High Level.

EACH SWITCH

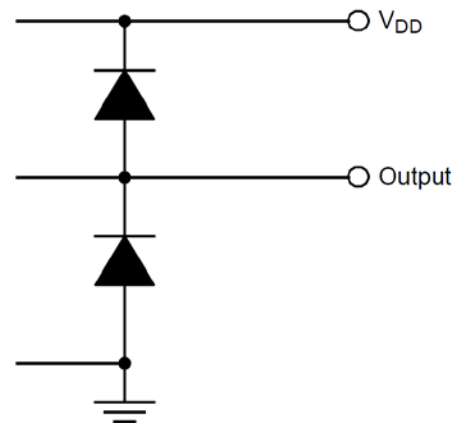
CONTROL INPUT C	SWITCH FUNCTION
H	Channel ON (A to B, B to A)
L	Channel OFF (High Impedance)

1.11 PROTECTION NETWORKS

INPUT PROTECTION



OUTPUT PROTECTION



2 REQUIREMENTS

2.1 GENERAL

The complete requirements for procurement of the components specified herein are as stated in this specification and the ESCC Generic Specification. Permitted deviations from the Generic Specification, applicable to this specification only, are listed below.

Permitted deviations from the Generic Specification and this Detail Specification, formally agreed with specific Manufacturers on the basis that the alternative requirements are equivalent to the ESCC requirement and do not affect the component's reliability, are listed in the appendices attached to this specification.

2.1.1 Deviations from the Generic Specification

None.

2.2 MARKING

The marking shall be in accordance with the requirements of ESCC Basic Specification No. 21700 and as follows.

The information to be marked on the component shall be:

- (a) Terminal identification (see Para. 1.7).
- (b) The ESCC qualified components symbol (for ESCC qualified components only).
- (c) The ESCC Component Number (see Para. 1.4.1).
- (d) Traceability information.

2.3 ELECTRICAL MEASUREMENTS AT ROOM, HIGH AND LOW TEMPERATURES

Electrical measurements shall be performed at room, high and low temperatures. Consolidated Notes are given in Para. 2.3.3.

2.3.1 Room Temperature Electrical Measurements

The measurements shall be performed at $T_{amb} = +22 \pm 3^{\circ}\text{C}$.

Characteristics	Symbols	MIL-STD-883 Test Method	Test Conditions Note 1	Limits		Units
				Min	Max	
Functional Test 1	-	3014	Verify Truth Table $V_{IL} = 0.3\text{V}$, $V_{IH} = 1.5\text{V}$ $V_{DD} = 2\text{V}$, $V_{SS} = 0\text{V}$ $t_r < 1\mu\text{s}$, Note 2	-	-	-
Functional Test 2	-	3014	Verify Truth Table $V_{IL} = 0.9\text{V}$, $V_{IH} = 3.15\text{V}$ $V_{DD} = 4.5\text{V}$, $V_{SS} = 0\text{V}$ $t_r = t_f < 500\text{ns}$ Note 2	-	-	-
Functional Test 3	-	3014	Verify Truth Table $V_{IL} = 1.2\text{V}$, $V_{IH} = 4.2\text{V}$ $V_{DD} = 6\text{V}$, $V_{SS} = 0\text{V}$ $t_r = t_f < 400\text{ns}$ Note 2	-	-	-
Quiescent Current	I_{DD}	3005	$V_{IL} = 0\text{V}$, $V_{IH} = 6\text{V}$ $V_{DD} = 6\text{V}$, $V_{SS} = 0\text{V}$ Note 3	-	100	nA
Low Level Input Current, C	I_{IL}	3009	V_{IN} (Under Test) = 0V V_{IN} (Remaining Inputs) = 6V $V_{DD} = 6\text{V}$, $V_{SS} = 0\text{V}$	-	-50	nA
High Level Input Current, C	I_{IH}	3010	V_{IN} (Under Test) = 6V V_{IN} (Remaining Inputs) = 0V $V_{DD} = 6\text{V}$, $V_{SS} = 0\text{V}$	-	50	nA

Characteristics	Symbols	MIL-STD-883 Test Method	Test Conditions Note 1	Limits		Units
				Min	Max	
Channel OFF Leakage Current, A to B, B to A	I _{OFF}	-	Channel Under Test: V _{IN} (C) = 0V V _{IN} (A or B) = 6V V _{OUT} (B or A) = 0V Other Channels: V _{IN} (C) = 0V Pins A and B Open V _{DD} = 6V, V _{SS} = 0V	-	±100	nA
Channel ON Resistance 1	R _{ON1}	-	V _{IN} (C) = 3.15V I _{IN} (A or B) = 100µA V _{DD} = 4.5V, V _{SS} = 0V Note 4	-	200	Ω
Channel ON Resistance 2	R _{ON2}	-	V _{IN} (C) = 4.2V I _{IN} (A or B) = 100µA V _{DD} = 6V, V _{SS} = 0V Note 4	-	170	Ω
Channel ON Resistance Matching 1	ΔR _{ON1}	-	Note 4	-20	20	Ω
Channel ON Resistance Matching 2	ΔR _{ON2}	-	Note 4	-20	20	Ω
Threshold Voltage N-Channel	V _{THN}	-	1C Input at Ground All Other Inputs: V _{IN} = 5V V _{DD} = 5V, I _{SS} = -10µA	-0.45	-1.45	V
Threshold Voltage P-Channel	V _{THP}	-	1C Input at Ground All Other Inputs: V _{IN} = -5V V _{DD} = -5V, I _{SS} = 10µA	0.45	1.35	V
Input Clamp Voltage 1, to V _{SS} and C	V _{IC1}	-	I _{IN} (Under Test) = -100µA V _{DD} = Open, V _{SS} = 0V All Other Pins Open	-400	-900	mV
Input Clamp Voltage 2, to V _{DD} and C	V _{IC2}	-	I _{IN} (Under Test) = 100µA V _{DD} = 0V, V _{SS} = Open All Other Pins Open	400	900	mV
Input Clamp Voltage 3, to V _{SS} , A and B	V _{IC3}	-	I _{IN} (Under Test) = -100µA V _{DD} = Open, V _{SS} = 0V All Other Pins Open	-200	-900	mV
Input Clamp Voltage 4, to V _{DD} , A and B	V _{IC4}	-	I _{IN} (Under Test) = 100µA V _{DD} = 0V, V _{SS} = Open All Other Pins Open	200	900	mV

Characteristics	Symbols	MIL-STD-883 Test Method	Test Conditions Note 1	Limits		Units
				Min	Max	
Input Capacitance, C	C _{IN}	3012	V _{IN} (Not Under Test) = 0V V _{DD} = V _{SS} = 0V f = 100kHz to 1MHz Note 5	-	10	pF
Input or Output Capacitance, A, B	C _{CH}	3012	V _{IN} (Not Under Test) = 0V V _{DD} = V _{SS} = 0V f = 100kHz to 1MHz Note 5	-	30	pF
Propagation Delay Low to High, 1A to 1B 1B to 1A	t _{PLH}	3003	V _{IN} (Under Test) = Pulse Generator V _{IN} (1C) = 0.9V V _{IL} = 0V, V _{IH} = 4.5V V _{DD} = 4.5V, V _{SS} = 0V Note 6	-	15	ns
Propagation Delay High to Low, 1A to 1B 1B to 1A	t _{PHL}	3003	V _{IN} (Under Test) = Pulse Generator V _{IN} (1C) = 0.9V V _{IL} = 0V, V _{IH} = 4.5V V _{DD} = 4.5V, V _{SS} = 0V Note 6	-	15	ns
Output Enable Time High Impedance to Low Output, 1C to 1A 1C to 1B	t _{PZL}	3003	V _{IN} (Under Test) = Pulse Generator V _{IL} = 0V, V _{IH} = 4.5V V _{DD} = 4.5V, V _{SS} = 0V Note 6	-	30	ns
Output Enable Time High Impedance to High Output, 1C to 1A 1C to 1B	t _{PZH}	3003	V _{IN} (Under Test) = Pulse Generator V _{IL} = 0V, V _{IH} = 4.5V V _{DD} = 4.5V, V _{SS} = 0V Note 6	-	30	ns
Output Disable Time Low Output to High Impedance, 1C to 1A 1C to 1B	t _{PLZ}	3003	V _{IN} (Under Test) = Pulse Generator V _{IL} = 0V, V _{IH} = 4.5V V _{DD} = 4.5V, V _{SS} = 0V Note 6	-	54	ns
Output Disable Time High Output to High Impedance, 1C to 1A 1C to 1B	t _{PHZ}	3003	V _{IN} (Under Test) = Pulse Generator V _{IL} = 0V, V _{IH} = 4.5V V _{DD} = 4.5V, V _{SS} = 0V Note 6	-	54	ns

2.3.2 High and Low Temperatures Electrical Measurements

The measurements shall be performed at $T_{amb} = +125 (+0 -5)^{\circ}C$ and $T_{amb} = -55 (+5 -0)^{\circ}C$.

Characteristics	Symbols	MIL-STD-883 Test Method	Test Conditions Note 1	Limits		Units
				Min	Max	
Functional Test 1	-	3014	Verify Truth Table $V_{IL} = 0.3V, V_{IH} = 1.5V$ $V_{DD} = 2V, V_{SS} = 0V$ $t_r < 1\mu s$, Note 2	-	-	-
Functional Test 2	-	3014	Verify Truth Table $V_{IL} = 0.9V, V_{IH} = 3.15V$ $V_{DD} = 4.5V, V_{SS} = 0V$ $t_r = t_f < 500ns$ Note 2	-	-	-
Functional Test 3	-	3014	Verify Truth Table $V_{IL} = 1.2V, V_{IH} = 4.2V$ $V_{DD} = 6V, V_{SS} = 0V$ $t_r = t_f < 400ns$ Note 2	-	-	-
Quiescent Current	I_{DD}	3005	$V_{IL} = 0V, V_{IH} = 6V$ $V_{DD} = 6V, V_{SS} = 0V$ Note 3	-	2	μA
Low Level Input Current, C	I_{IL}	3009	$V_{IN}(\text{Under Test}) = 0V$ $V_{IN}(\text{Remaining Inputs}) = 6V$ $V_{DD} = 6V, V_{SS} = 0V$	-	-1	μA
High Level Input Current, C	I_{IH}	3010	$V_{IN}(\text{Under Test}) = 6V$ $V_{IN}(\text{Remaining Inputs}) = 0V$ $V_{DD} = 6V, V_{SS} = 0V$	-	1	μA
Channel OFF Leakage Current, A to B, B to A	I_{OFF}	-	Channel Under Test: $V_{IN}(C) = 0V$ $V_{IN}(A \text{ or } B) = 6V$ $V_{OUT}(B \text{ or } A) = 0V$ Other Channels: $V_{IN}(C) = 0V$ Pins A and B Open $V_{DD} = 6V, V_{SS} = 0V$	-	± 100	nA
Channel ON Resistance 1	R_{ON1}	-	$V_{IN}(C) = 3.15V$ $I_{IN}(A \text{ or } B) = 100\mu A$ $V_{DD} = 4.5V, V_{SS} = 0V$ Note 4	-	300	Ω
Channel ON Resistance 2	R_{ON2}	-	$V_{IN}(C) = 4.2V$ $I_{IN}(A \text{ or } B) = 100\mu A$ $V_{DD} = 6V, V_{SS} = 0V$ Note 4	-	250	Ω
Channel ON Resistance Matching 1	ΔR_{ON1}	-	Note 4	-20	20	Ω
Channel ON Resistance Matching 2	ΔR_{ON2}	-	Note 4	-20	20	Ω

Characteristics	Symbols	MIL-STD-883 Test Method	Test Conditions Note 1	Limits		Units
				Min	Max	
Input Clamp Voltage 1, to V _{SS} and C	V _{IC1}	-	I _{IN} (Under Test) = -100μA V _{DD} = Open, V _{SS} = 0V All Other Pins Open	-0.1	-1.2	V
Input Clamp Voltage 2, to V _{DD} and C	V _{IC2}	-	I _{IN} (Under Test) = 100μA V _{DD} = 0V, V _{SS} = Open All Other Pins Open	0.1	1.2	V
Input Clamp Voltage 3, to V _{SS} , A and B	V _{IC3}	-	I _{IN} (Under Test) = -100μA V _{DD} = Open, V _{SS} = 0V All Other Pins Open	-0.05	-1.2	V
Input Clamp Voltage 4, to V _{DD} , A and B	V _{IC4}	-	I _{IN} (Under Test) = 100μA V _{DD} = 0V, V _{SS} = Open All Other Pins Open	0.05	1.2	V

2.3.3 Notes to Electrical Measurement Tables

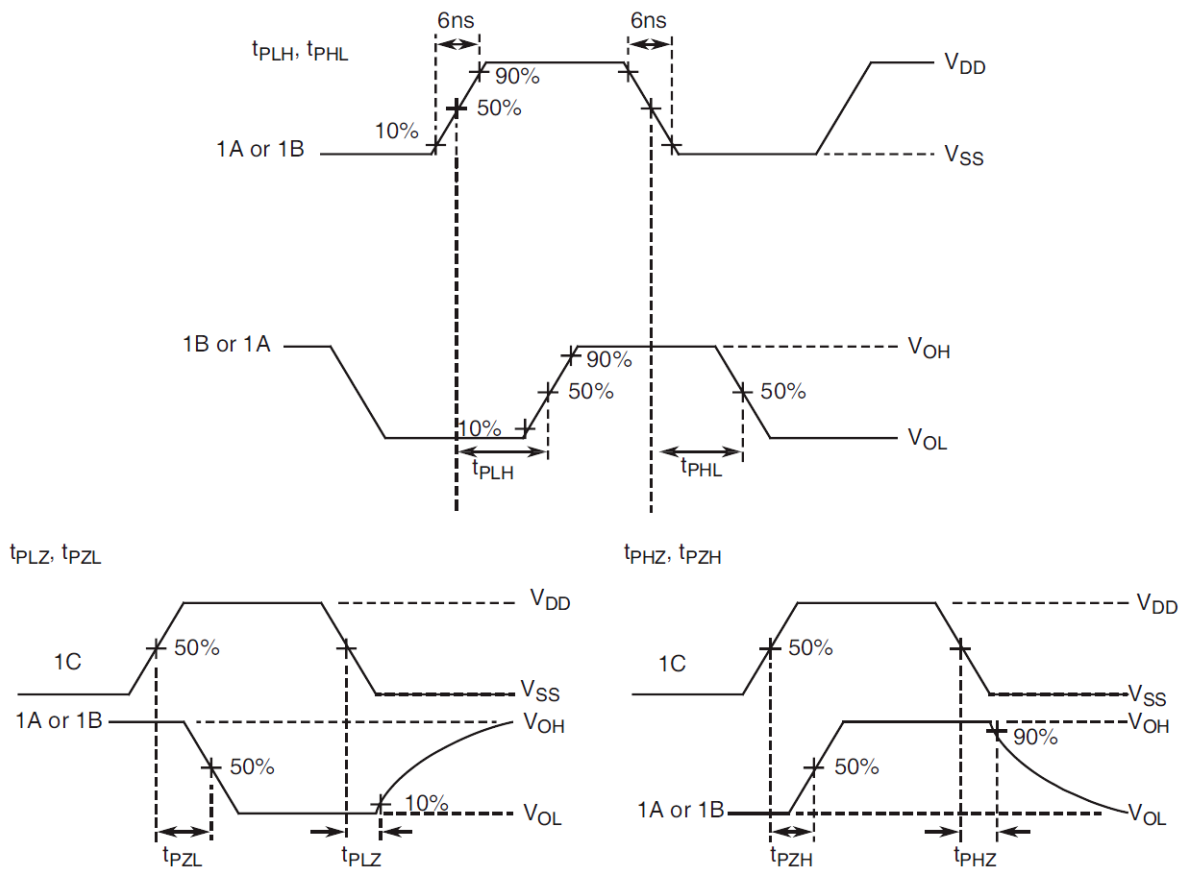
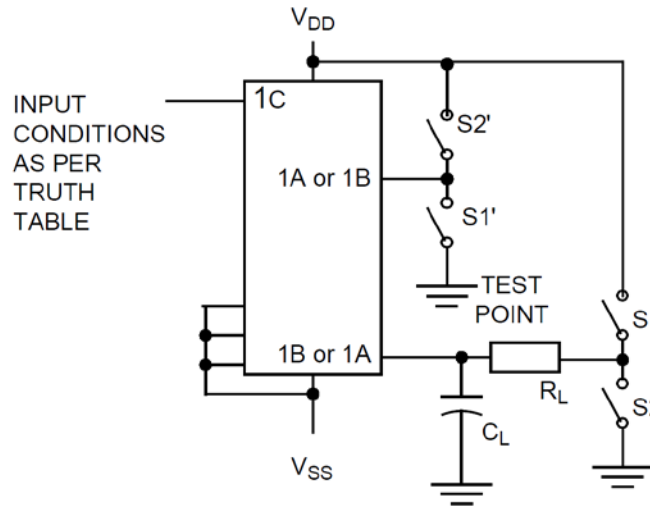
1. Unless otherwise specified all inputs and outputs shall be tested for each characteristic, inputs not under test shall be V_{IN} = V_{SS} or V_{DD} and outputs not under test shall be open.
2. Functional tests shall be performed with f = 10kHz (min). The maximum time to output comparator strobe = 30μs.
3. Quiescent Current shall be tested using the following input conditions:
 - (a) All Inputs C = All Signal Inputs/Outputs A = All Signal Outputs/Inputs B = V_{IL}
 - (b) All Inputs C = All Signal Inputs/Outputs A = All Signal Outputs/Inputs B = V_{IH}
4. Channel ON Resistance shall be tested separately for each channel in both directions using the following input conditions:
 - (a) 1C = V_{IN}(C); all other control inputs = 0V; 1A = V_{IS}; 1B = 0V
 - (b) 1C = V_{IN}(C); all other control inputs = 0V; 1A = 0V; 1B = V_{IS}
 - (c) 2C = V_{IN}(C); all other control inputs = 0V; 2A = V_{IS}; 2B = 0V
 - (d) 2C = V_{IN}(C); all other control inputs = 0V; 2A = 0V; 2B = V_{IS}
 - (e) 3C = V_{IN}(C); all other control inputs = 0V; 3A = V_{IS}; 3B = 0V
 - (f) 3C = V_{IN}(C); all other control inputs = 0V; 3A = 0V; 3B = V_{IS}
 - (g) 4C = V_{IN}(C); all other control inputs = 0V; 4A = V_{IS}; 4B = 0V
 - (h) 4C = V_{IN}(C); all other control inputs = 0V; 4A = 0V; 4B = V_{IS}

R_{ON1} is performed with V_{IS} = 0.5V, 1V, 3.5V and 4V.
R_{ON2} is performed with V_{IS} = 1V, 3V and 5V.

Channel ON Resistance Matching shall be calculated as follows: The results of the Channel ON Resistance measurements of each Channel's Input/Output and Output/Input shall be compared and shall not exceed the specified limits.
5. Guaranteed but not tested.
6. Measurements shall be performed as a go-no-go test on a 100% basis. Read and record measurements shall be performed on a sample of 5 components.
 The pulse generator shall have the following characteristics:
 V_{GEN} = 0 to V_{DD}; f_{GEN} = 1MHz minimum; t_r and t_f ≤ 6ns (10% to 90%); duty cycle = 50%; Z_{out} = 50Ω. Output load capacitance C_L = 50pF ±5% including scope probe, wiring and stray capacitance without component in the test fixture and output load resistance R_L = 1kΩ ±5%.

Propagation delay and transition time shall be measured as follows:

PARAMETER	R_L	C_L	S1, S1'	S2, S2'
t_{PZH}	1k Ω	50pF	OPEN	CLOSED
t_{PZL}			CLOSED	OPEN
t_{PHZ}	1k Ω	50pF	OPEN	CLOSED
t_{PLZ}			CLOSED	OPEN
t_{PHL}, t_{PLH}	-	50pF	OPEN	OPEN



2.4 PARAMETER DRIFT VALUES

Unless otherwise specified, the measurements shall be performed at $T_{amb} = +22 \pm 3^{\circ}\text{C}$.

The test methods and test conditions shall be as per the corresponding test defined in Para. 2.3.1 Room Temperature Electrical Measurements.

The drift values (Δ) shall not be exceeded for each characteristic specified. The corresponding absolute limit values for each characteristic shall not be exceeded.

Characteristics	Symbols	Limits			Units
		Drift Value Δ	Absolute		
			Min	Max	
Quiescent Current	I_{DD}	± 30	-	100	nA
Low Level Input Current, C	I_{IL}	± 20	-	-50	nA
High Level Input Current, C	I_{IH}	± 20	-	50	nA
Channel ON Resistance 1 (Note 2)	R_{ON1}	± 20	-	200	Ω
Channel ON Resistance 2 (Note 2)	R_{ON2}	± 20	-	170	Ω
Threshold Voltage N-Channel	V_{THN}	± 0.3	-0.45	-1.45	V
Threshold Voltage P-Channel	V_{THP}	± 0.3	0.45	1.35	V

NOTES:

1. Unless otherwise specified all inputs and outputs shall be tested for each characteristic.
2. Channel ON Resistance shall be tested at each input voltage level specified in Para. 2.3.1 Room Temperature Electrical Measurements for Channel 1A to 1B and 3A to 3B only.

2.5 INTERMEDIATE AND END-POINT ELECTRICAL MEASUREMENTS

Unless otherwise specified, the measurements shall be performed at $T_{amb} = +22 \pm 3^{\circ}\text{C}$.

The test methods and test conditions shall be as per the corresponding test defined in Para. 2.3.1 Room Temperature Electrical Measurements.

The drift values (Δ) shall not be exceeded for each characteristic where specified. The corresponding absolute limit values for each characteristic shall not be exceeded.

Characteristics	Symbols	Limits			Units
		Drift Value Δ	Absolute		
			Min	Max	
Functional Test 1	-	-	-	-	-
Functional Test 2	-	-	-	-	-
Functional Test 3	-	-	-	-	-
Quiescent Current	I_{DD}	± 30	-	100	nA
Low Level Input Current, C	I_{IL}	± 20	-	-50	nA
High Level Input Current, C	I_{IH}	± 20	-	50	nA
Channel OFF Leakage Current, A, B	I_{OFF}	-	-	± 100	nA
Channel ON Resistance 1	R_{ON1}	± 20	-	200	Ω
Channel ON Resistance 2	R_{ON2}	± 20	-	170	Ω
Threshold Voltage N-Channel	V_{THN}	± 0.3	-0.45	-1.45	V
Threshold Voltage P-Channel	V_{THP}	± 0.3	0.45	1.35	V

NOTES:

1. Unless otherwise specified all inputs and outputs shall be tested for each characteristic.
2. The drift values (Δ) are applicable to the Operating Life test only.

2.6 HIGH TEMPERATURE REVERSE BIAS BURN-IN CONDITIONS

2.6.1 N-Channel HTRB

Characteristics	Symbols	Test Conditions	Units
Ambient Temperature	T_{amb}	+125 (+0 -5)	$^{\circ}\text{C}$
Outputs 1B, 2B, 3B, 4B	V_{OUT}	Open or V_{SS}	V
Inputs 1A, 2A, 3A, 4A	V_{IN}	V_{SS}	V
Inputs 1C, 2C, 3C, 4C	V_{IN}	V_{DD}	V
Positive Supply Voltage	V_{DD}	6 (+0 -0.5)	V
Negative Supply Voltage	V_{SS}	0	V
Duration	t	72	Hours

NOTES:

1. Input Protection Resistor = 680 Ω min to 47k Ω max.
2. Output load = 1k Ω min to 10k Ω max.

2.6.2 P-Channel HTRB

Characteristics	Symbols	Test Conditions	Units
Ambient Temperature	T_{amb}	+125 (+0 -5)	°C
Outputs 1B, 2B, 3B, 4B	V_{OUT}	Open or V_{SS}	V
Inputs 1A, 2A, 3A, 4A	V_{IN}	V_{DD}	V
Inputs 1C, 2C, 3C, 4C	V_{IN}	V_{SS}	V
Positive Supply Voltage	V_{DD}	6 (+0 -0.5)	V
Negative Supply Voltage	V_{SS}	0	V
Duration	t	72	Hours

NOTES:

1. Input Protection Resistor = 680Ω min to 47kΩ max.
2. Output load = 1kΩ min to 10kΩ max.

2.7 POWER BURN-IN CONDITIONS

Characteristics	Symbols	Test Conditions	Units
Ambient Temperature	T_{amb}	+125 (+0 -5)	°C
Outputs 1B, 2B, 3B, 4B	V_{OUT}	V_{SS}	V
Inputs 1A, 2A, 3A, 4A	V_{IN}	V_{DD}	V
Inputs 1C, 2C, 3C, 4C	V_{IN}	V_{GEN}	V
Pulse Voltage	V_{GEN}	V_{DD}	V
Pulse Frequency Square Wave	f_{GEN}	100k ±10% 50 ±15% Duty Cycle $t_r = t_f \leq 400ns$	Hz
Positive Supply Voltage	V_{DD}	6 (+0 -0.5)	V
Negative Supply Voltage	V_{SS}	0	V

NOTES:

1. Input Protection Resistor = 680Ω min to 47kΩ max.
2. Output load = 1kΩ min to 10kΩ max.

2.8 OPERATING LIFE CONDITIONS

The conditions shall be as specified in Para. 2.7 Power Burn-in.

2.9 TOTAL DOSE RADIATION TESTING

2.9.1 Bias Conditions and Total Dose Level for Total Dose Radiation Testing

Continuous bias shall be applied during irradiation testing as specified below.

The total dose level applied shall be as specified in Para. 1.4.2 or in the Purchase Order.

Characteristics	Symbols	Test Conditions	Units
Ambient Temperature	T _{amb}	+22 ±3	°C
Outputs 1B, 2B, 3B, 4B	V _{OUT}	Open	V
Inputs 1A, 2A, 3A, 4A	V _{IN}	V _{SS}	V
Inputs 1C, 2C, 3C, 4C	V _{IN}	V _{DD}	V
Positive Supply Voltage	V _{DD}	6 ±0.3	V
Negative Supply Voltage	V _{SS}	0	V

NOTES:

1. Input Protection Resistor = 680Ω min to 47kΩ max.

2.9.2 Electrical Measurements for Total Dose Radiation Testing

Prior to irradiation testing the devices shall have successfully met Para. 2.3.1 Room Temperature Electrical Measurements specified herein.

Unless otherwise stated the measurements shall be performed at T_{amb} = +22 ±3°C.

The test methods and test conditions shall be as per the corresponding test defined in Para. 2.3.1 Room Temperature Electrical Measurements.

The parameters to be measured during and on completion of irradiation testing are shown below. Unless otherwise specified all inputs and outputs shall be tested for each characteristic.

Characteristics	Symbols	Limits			Units
		Drift Values Δ	Absolute		
			Min	Max	
Quiescent Current	I _{DD}	-	-	10	μA
Threshold Voltage N-Channel	V _{THN}	±0.6	-0.4	-1.5	V
Threshold Voltage P-Channel	V _{THP}	±0.6	0.4	1.4	V

APPENDIX 'A'
AGREED DEVIATIONS FOR STMICROELECTRONICS (F)

ITEMS AFFECTED	DESCRIPTION OF DEVIATIONS
Para. 2.1.1 Deviations from the Generic Specification: Deviations from Production Control - Chart F2	<p>Total Dose Radiation Testing: The following deviation from the procedures for qualification and procurement lot acceptance in ESCC Basic Specification No. 22900 shall apply:</p> <p>The radiation exposure and test sequence requirements including radiation levels, time intervals for measurement, and the flow chart for qualification and lot acceptance testing, may be replaced by the requirements of ST radiation test procedure 0043082.</p>
Para. 2.1.1 Deviations from the Generic Specification: Deviations from Screening Tests - Chart F3	<p>External Visual Inspection: The criteria applicable to chip-outs are those described in MIL-STD-883, Test Method 2009, Paras 3.3.6(b) and 3.3.7(a).</p> <p>High Temperature Reverse Bias Burn-in: The temperature limits of MIL-STD-883, Para. 4.5.8(c) may be used.</p> <p>Power Burn-in test is performed using STMicroelectronics Specification Ref: 0019255.</p> <p>Solderability is not applicable unless specifically stipulated in the Purchase Order.</p>
Para. 2.1.1 Deviations from the Generic Specification: Deviations from Qualification and Periodic Tests - Chart F4	<p>External Visual Inspection: The criteria applicable to chip-outs are those described in MIL-STD-883, Test Method 2009, Paras 3.3.6(b) and 3.3.7(a).</p> <p>Operating Life: The temperature limits of MIL-STD-883, Para. 4.5.8(c) may be used.</p>
Para. 2.3.1 Room Temperature Electrical Measurements	<p>All AC characteristics (Capacitance and Timings) may be considered guaranteed but not tested if successful pilot lot testing has been performed on the wafer lot which includes AC characteristic measurements per the Detail Specification.</p> <p>A summary of the pilot lot testing shall be provided if required by the Purchase Order.</p>
Para. 2.3.2 High and Low Temperatures Electrical Measurements	<p>High and Low Temperatures Electrical Measurements may be considered guaranteed but not tested if successful pilot lot testing has been performed on the wafer lot which includes High and Low Temperatures Electrical Measurements per the Detail Specification.</p> <p>A summary of the pilot lot testing shall be provided if required by the Purchase Order.</p>