



**CAPACITORS, VARIABLE, CONCENTRIC
TRIMMER, AIR DIELECTRIC, 0.8 TO 6pF,
BODY DIAMETER 6.2mm**

ESCC Detail Specification No. 3010/010

| | |
|---------|---------------|
| Issue 2 | November 2013 |
|---------|---------------|



Document Custodian: European Space Agency – see <https://escies.org>

LEGAL DISCLAIMER AND COPYRIGHT

European Space Agency, Copyright © 2013. All rights reserved.

The European Space Agency disclaims any liability or responsibility, to any person or entity, with respect to any loss or damage caused, or alleged to be caused, directly or indirectly by the use and application of this ESCC publication.

This publication, without that prior permission of the European Space Agency and provided that it is not used for a commercial purpose, may be:

- copied in whole, in any medium, without alteration or modification.
- copied in part, in any medium, provided that the ESCC document identification, comprising the ESCC symbol, document number and document issue, is removed.

DOCUMENTATION CHANGE NOTICE

(Refer to <https://escies.org> for ESCC DCR content)

| DCR No. | CHANGE DESCRIPTION |
|---------|--|
| 799 | Specification upissued to incorporate editorial changes per DCR. |

TABLE OF CONTENTS

| | | |
|-------|--|----|
| 1 | GENERAL | 6 |
| 1.1 | SCOPE | 6 |
| 1.2 | TYPE VARIANTS | 6 |
| 1.3 | MAXIMUM RATINGS | 6 |
| 1.4 | PARAMETER DERATING INFORMATION (FIGURE 1) | 6 |
| 1.5 | PHYSICAL DIMENSIONS | 6 |
| 1.6 | FUNCTIONAL DIAGRAM | 6 |
| 2 | APPLICABLE DOCUMENTS | 6 |
| 3 | TERMS, DEFINITIONS, ABBREVIATIONS, SYMBOLS AND UNITS | 6 |
| 4 | REQUIREMENTS | 10 |
| 4.1 | GENERAL | 10 |
| 4.2 | DEVIATIONS FROM GENERIC SPECIFICATION | 10 |
| 4.2.1 | Deviations from Special In-process Controls | 10 |
| 4.2.2 | Deviations from Final Production Tests (Chart II) | 10 |
| 4.2.3 | Deviations from Burn-in and Electrical Measurements (Chart III) | 11 |
| 4.2.4 | Deviations from Qualification Tests (Chart IV) | 11 |
| 4.2.5 | Deviations from Lot Acceptance Tests (Chart V) | 11 |
| 4.3 | MECHANICAL REQUIREMENTS | 11 |
| 4.3.1 | Dimension Check | 11 |
| 4.3.2 | Weight | 11 |
| 4.3.3 | Robustness of Terminations | 11 |
| 4.3.4 | Resistance to Soldering Heat | 11 |
| 4.4 | MATERIALS AND FINISHES | 11 |
| 4.4.1 | Body | 11 |
| 4.4.2 | Terminals | 11 |
| 4.5 | MARKING | 12 |
| 4.5.1 | General | 12 |
| 4.5.2 | The ESCC Component Number | 12 |
| 4.5.3 | Traceability Information | 12 |
| 4.6 | ELECTRICAL MEASUREMENTS | 12 |
| 4.6.1 | Electrical Measurements at Room Temperature | 12 |
| 4.6.2 | Electrical Measurements at High and Low Temperatures | 12 |
| 4.6.3 | Circuits for Electrical Measurements | 12 |
| 4.7 | BURN-IN TESTS | 12 |
| 4.8 | ENVIRONMENTAL AND ENDURANCE TESTS (CHARTS IV AND V OF ESCC GENERIC SPECIFICATION NO. 3010) | 14 |



| | | |
|------------|--|----|
| 4.8.1 | Measurements and Inspections on Completion of Environmental Tests | 14 |
| 4.8.2 | Measurements and Inspections at Intermediate Points during Endurance Tests | 14 |
| 4.8.3 | Measurements and Inspections on Completion of Endurance Tests | 14 |
| 4.8.4 | Conditions for Operating Life Tests (Part of Endurance Testing) | 14 |
| 4.8.5 | Electrical Circuit for Operating Life Tests (Figure 5) | 14 |
| APPENDIX A | | 18 |

1 **GENERAL**

1.1 **SCOPE**

This specification details the ratings, physical and electrical characteristics, test and inspection data for Capacitors, Variable, Concentric Trimmer, Air Dielectric, 0.8 to 6 pF. It shall be read in conjunction with ESCC Generic Specification No. 3010, the requirements of which are supplemented herein.

1.2 **TYPE VARIANTS**

The type variants covered by this specification are scheduled in Table 1(a).

1.3 **MAXIMUM RATINGS**

The maximum ratings, which shall not be exceeded at any time during use or storage, applicable to the capacitors specified herein are scheduled in Table 1(b).

1.4 **PARAMETER DERATING INFORMATION (FIGURE 1)**

Not applicable.

1.5 **PHYSICAL DIMENSIONS**

The physical dimensions of the capacitors specified herein are shown in Figure 2.

1.6 **FUNCTIONAL DIAGRAM**

The functional diagram for the capacitors specified herein is shown in Figure 3.

2 **APPLICABLE DOCUMENTS**

The following documents form part of this specification and shall be read in conjunction with it:

- (a) ESCC Generic Specification No. 3010 for Capacitors, Variable, Concentric Trimmer.
- (b) IEC Publication No. 68-2-21, Robustness of Terminations.

3 **TERMS, DEFINITIONS, ABBREVIATIONS, SYMBOLS AND UNITS**

For the purpose of this specification, the terms, definitions, abbreviations, symbols and units specified in ESCC Basic Specification No. 21300 shall apply. In addition the following symbols are used:

T_{qo} = Operating Torque.

V_T = Test Voltage.

TABLE 1(a) - TYPE VARIANTS

| Variant | Capacitance (pF) | | Temperature Coefficient ($10^{-6}/^{\circ}\text{C}$) | Figure |
|---------|------------------|------|--|--------|
| | Min. | Max. | | |
| 01 | 0.8 | 6 | ± 15 | 2(a) |
| 02 | 0.8 | 6 | ± 15 | 2(b) |
| 03 | 0.8 | 6 | ± 15 | 2(c) |
| 04 | 0.8 | 6 | ± 15 | 2(d) |
| 05 | 0.8 | 6 | ± 15 | 2(e) |

TABLE 1(b) - MAXIMUM RATINGS

| No. | Characteristics | Symbol | Limits | | Unit | Remarks |
|-----|--------------------------------------|-----------|--------|------|--------------------|------------------|
| | | | Min. | Max. | | |
| 1 | Rated Voltage | U_R | - | 250 | V | - |
| 2 | Operating Temperature Range | T_{op} | -55 | +125 | $^{\circ}\text{C}$ | Without derating |
| 3 | Storage Temperature Range | T_{stg} | -55 | +125 | $^{\circ}\text{C}$ | - |
| 4 | Soldering Temperature | T_{sol} | - | +260 | $^{\circ}\text{C}$ | Note 1 |
| 5 | Panel Mounting Nut Tightening Torque | - | - | 20 | cm.N | Note 2 |
| 6 | Sealing Cap Tightening Torque | - | - | 6 | cm.N | Note 2 |

NOTES

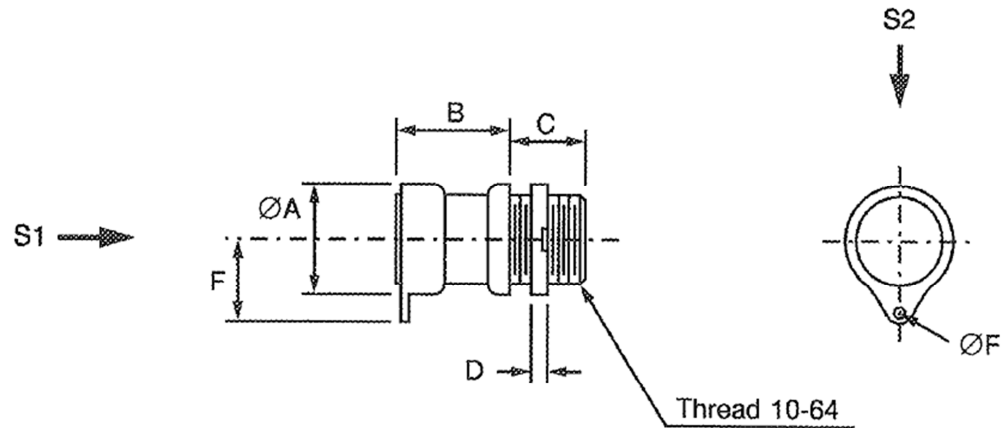
1. Duration 5 seconds maximum.
2. Handling precautions:
 - Use appropriate turning tool.
 - Rotor shall not be disconnected from stator.
 - When cleaning with solvent, it is absolutely necessary to screw on a sealing cap.
 - Sealing cap shall not be used on flight units.
 - Sealing cap shall be supplied with all units.

FIGURE 1 - PARAMETER DERATING INFORMATION

Not applicable.

FIGURE 2 - PHYSICAL DIMENSIONS

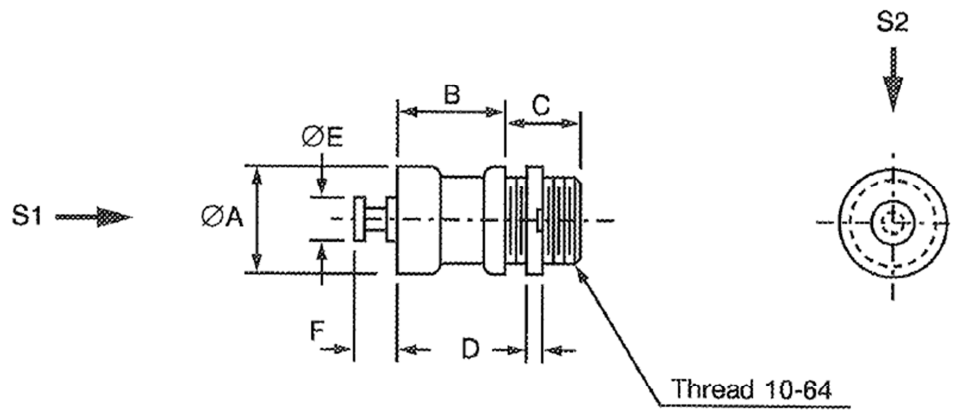
FIGURE 2(a) - VARIANT 01, LUG PANEL MOUNT



S1, S2 - Vibration and shock axis

| | | ØA | B | C | D | E | ØF |
|----|-----|-----|-----|-----|-----|-----|-----|
| mm | Min | - | 6.8 | 4.7 | 1.4 | - | 1.1 |
| | Max | 6.2 | 7.2 | 4.8 | 1.6 | 5.7 | 1.3 |

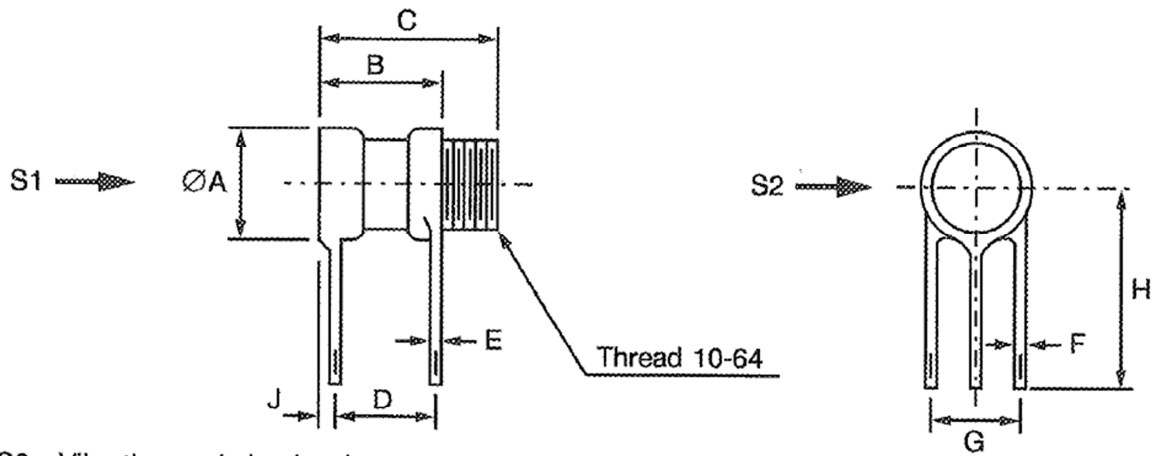
FIGURE 2(b) - VARIANT 02, TURRET PANEL MOUNT



S1, S2 - Vibration and shock axis

| | | ØA | B | C | D | ØE | F |
|----|-----|-----|-----|-----|-----|-----|-----|
| mm | Min | - | 6.7 | 4.7 | 1.4 | 2.3 | 1.8 |
| | Max | 6.2 | 7.1 | 4.8 | 1.6 | 2.5 | 2.2 |

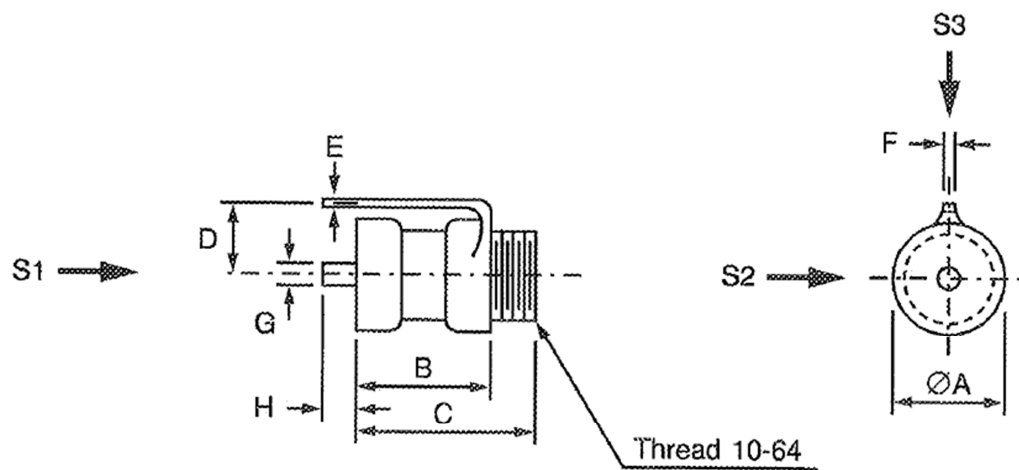
FIGURE 2(c) - VARIANT 03, PCB MOUNT



S1, S2 - Vibration and shock axis

| | | ØA | B | C | D | E | F | G | H | J |
|----|-----|-----|-----|------|-----|------|------|------|-----|-----|
| mm | Min | - | 7.1 | 11.5 | 6.5 | 0.35 | 0.75 | 3.95 | 6.3 | - |
| | Max | 6.2 | 7.5 | 11.9 | 6.9 | 0.45 | 0.85 | 4.05 | - | 0.5 |

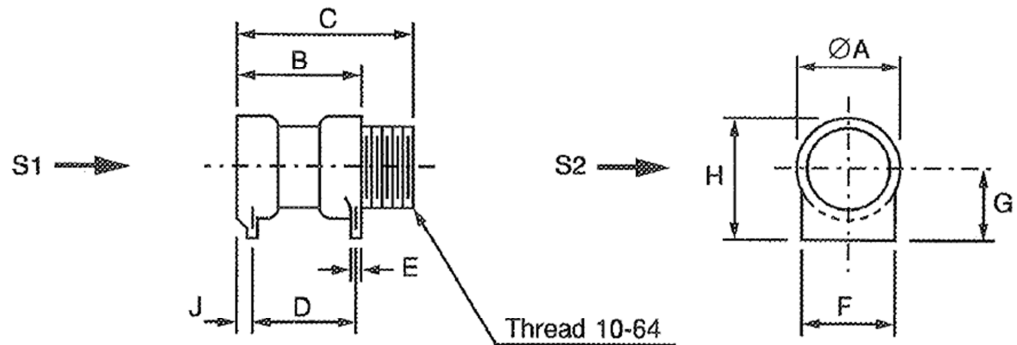
FIGURE 2(d) - VARIANT 04, VERTICAL MOUNT



S1, S2, S3 - Vibration and shock axis

| | | ØA | B | C | D | E | F | G | H |
|----|-----|-----|-----|------|-----|------|------|------|---|
| mm | Min | - | 7.1 | 11.5 | 3.8 | 0.35 | 0.75 | 1.05 | - |
| | Max | 6.2 | 7.5 | 11.9 | 4.2 | 0.45 | 0.85 | 1.15 | 3 |

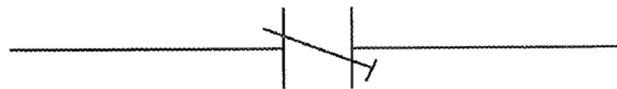
FIGURE 2(e) - VARIANT 05, STRIP LINE MOUNT



S1, S2 - Vibration and shock axis

| | | ØA | B | C | D | E | F | G | H | J |
|----|-----|-----|-----|------|-----|------|------|------|-----|-----|
| mm | Min | - | 7.1 | 11.5 | 6.5 | 0.35 | 5.55 | 3.15 | - | - |
| | Max | 6.2 | 7.5 | 11.9 | 6.9 | 0.45 | 5.6 | 3.25 | 6.4 | 0.5 |

FIGURE 3 - FUNCTIONAL DIAGRAM



4 REQUIREMENTS

4.1 GENERAL

The complete requirements for procurement of the capacitors specified herein are stated in this specification and ESCC Generic Specification No. 3010 for Capacitors, Variable, Concentric Trimmer. Deviations from the Generic Specification, applicable to this specification only, are listed in Para. 4.2.

Deviations from the applicable Generic Specification and this Detail Specification, formally agreed with specific Manufacturers on the basis that the alternative requirements are equivalent to the ESCC requirements and do not affect the components' reliability, are listed in the appendices attached to this specification.

4.2 DEVIATIONS FROM GENERIC SPECIFICATION

4.2.1 Deviations from Special In-process Controls

None.

4.2.2 Deviations from Final Production Tests (Chart II)

(a) Serialisation: Not applicable.

4.2.3 Deviations from Burn-in and Electrical Measurements (Chart III)

- (a) Para. 7.1, "Burn-in": Not applicable.
- (b) Para. 9.3.2, "Parameter Drift Value Measurements": Not applicable.

4.2.4 Deviations from Qualification Tests (Chart IV)

- (a) Para. 9.15, "Mechanical Endurance": The 50 cycles shall be divided into 10 groups of 5 cycles. Upon completion of each group of 5 cycles, 1 minute of standing by shall be observed.

4.2.5 Deviations from Lot Acceptance Tests (Chart V)

- (a) Para. 9.15, "Mechanical Endurance": The 50 cycles shall be divided into 10 groups of 5 cycles. Upon completion of each group of 5 cycles, 1 minute of standing by shall be observed.

4.3 MECHANICAL REQUIREMENTS

4.3.1 Dimension Check

The dimensions of the capacitors specified herein shall be verified in accordance with the requirements set out in Para. 9.5 of ESCC Generic Specification No. 3010 and they shall conform to those shown in Figure 2 of this specification.

4.3.2 Weight

The maximum weight of the capacitors specified herein shall be 1.5 grammes.

4.3.3 Robustness of Terminations

The requirements for robustness of terminations are specified in Section 9 of ESCC Generic Specification No. 3010.

Applicable to Variants 03 and 04 only.

4.3.4 Resistance to Soldering Heat

The requirements for resistance to soldering heat are specified in Section 9 of ESCC Generic Specification No. 3010. The test conditions shall be as follows:

Immersion Depth: To within 1mm from the body.

Immersion Time: 3.5 ± 0.5 seconds.

4.4 MATERIALS AND FINISHES

The materials and finishes shall be as specified herein. Where a definite material is not specified, a material which will enable the capacitors specified herein to meet the performance requirements of this specification shall be used. Acceptance or approval of any constituent material does not guarantee acceptance of the finished product.

4.4.1 Body

Ceramic.

4.4.2 Terminals

Terminals shall be gold-plated or tinned.

4.5 MARKING

4.5.1 General

The marking of components delivered to this specification shall be in accordance with the requirements of ESCC Basic Specification No. 21700 and the following paragraphs. When the component is too small to accommodate all of the marking specified, as much as space permits shall be marked and the marking information, in full, shall accompany the component in its primary package.

The information to be marked and the order of precedence, shall be as follows:

- (a) The ESCC Component Number.
- (b) Traceability Information.

4.5.2 The ESCC Component Number

The ESCC Component Number shall be constituted and marked as follows:

Example: 301001001B

- Detail Specification Number: 3010010
- Type Variant (See Table 1(a)): 01
- Testing Level (B or C, as applicable): B

4.5.3 Traceability Information

Traceability information shall be marked in accordance with the requirements of ESCC Basic Specification No. 21700.

- (a) Manufacturing Date Code.
- (b) Serial Number.
- (c) Manufacturer's Name.

4.6 ELECTRICAL MEASUREMENTS

4.6.1 Electrical Measurements at Room Temperature

The parameters to be measured at room temperature are scheduled in Table 2. Unless otherwise specified, measurements shall be performed at $T_{amb} = +22 \pm 3 \text{ }^\circ\text{C}$.

4.6.2 Electrical Measurements at High and Low Temperatures

The parameters to be measured at high and low temperatures are scheduled in Table 3.

4.6.3 Circuits for Electrical Measurements

Not applicable.

4.7 BURN-IN TESTS

Not applicable.

TABLE 2 - ELECTRICAL MEASUREMENTS AT ROOM TEMPERATURE

| No. | Characteristics | Symbol | ESCC 3010 Test Method | Test Conditions | Limits | | Unit |
|-----|---------------------|--------|-----------------------|-----------------|--------|-----|------|
| | | | | | Min | Max | |
| 1 | Minimum Capacitance | Cm | Para. 9.3.1.1 | 1 ±0.1 MHz | - | 0.8 | pF |

| | | | | | | | |
|---|-----------------------|-----------------|---------------|----------------------|-----------------|-----|------|
| 2 | Maximum Capacitance | CM | Para. 9.3.1.1 | 1 ±0.1 MHz | 6 | - | pF |
| 3 | Change in Capacitance | - | Para. 9.3.1.2 | 1 ±0.1 MHz Note 1 | - | - | - |
| 4 | Insulation Resistance | R _i | Para. 9.3.1.3 | 500V ±25V | 10 ⁶ | - | MΩ |
| 5 | Voltage Proof | VP | Para. 9.3.1.4 | - | 500 | - | V |
| 6 | Quality Factor | Q | Para. 9.3.1.5 | 100 ±5 MHz Note 2 | 10000 | - | - |
| 7 | Operating Torque | T _{qo} | Para. 9.3.1.6 | C minimum to maximum | 0.3 | 2.8 | N.cm |

NOTES

1. No change of sign over the entire adjustment range.
2. Sampling Level II, AQL = 1.0%.

TABLE 3 - ELECTRICAL MEASUREMENTS AT HIGH AND LOW TEMPERATURES

| No. | Characteristics | Symbol | ESCC 3010 Test Method | Test Conditions (Note 1) | Limits | | Unit |
|-------|--|----------------|-----------------------|-----------------------------------|-----------------|-----|----------------------|
| | | | | | Min | Max | |
| 4 | Insulation Resistance at T _{amb} = +125 ±3 °C | R _i | Para. 9.3.1.3 | 500V ±25V | 10 ⁵ | - | MΩ |
| 8(i) | Temperature Coefficient | TC1 | Para. 9.18 | Between -55 and +22 °C Note 2 | -15 | +15 | 10 ⁻⁶ /°C |
| 8(ii) | Temperature Coefficient | TC2 | Para. 9.18 | Between +22 and +125 °C Note 2 | -15 | +15 | 10 ⁻⁶ /°C |

NOTES

1. Inspection Level II, AQL 2.5%.
2. Trimmers set at approx. 75% of rated max. capacitance and 2 capacitors may be connected in parallel for this test.

FIGURE 4 - CIRCUITS FOR ELECTRICAL MEASUREMENTS

Not applicable.

TABLE 4 - PARAMETER DRIFT VALUES

Not applicable.

TABLE 5 - CONDITIONS FOR OPERATING LIFE TESTS

| No. | Characteristic | Symbol | Condition | Unit |
|-----|---------------------|------------------|--------------|------|
| 1 | Ambient Temperature | T _{amb} | +125 (+0 -3) | °C |
| 2 | Test Voltage | V _T | 375 | V |

FIGURE 5 - ELECTRICAL CIRCUIT FOR OPERATING LIFE TESTS

Not applicable.

4.8 **ENVIRONMENTAL AND ENDURANCE TESTS (CHARTS IV AND V OF ESCC GENERIC SPECIFICATION NO. 3010)**

4.8.1 **Measurements and Inspections on Completion of Environmental Tests**

The parameters to be measured and inspections to be performed on completion of environmental tests are scheduled in Table 6. Unless otherwise specified, the measurements shall be performed at $T_{amb} = +22 \pm 3 \text{ }^\circ\text{C}$.

4.8.2 **Measurements and Inspections at Intermediate Points during Endurance Tests**

The parameters to be measured and inspections to be performed at intermediate points during endurance tests are scheduled in Table 6. Unless otherwise specified, the measurements shall be performed at $T_{amb} = +22 \pm 3 \text{ }^\circ\text{C}$.

4.8.3 **Measurements and Inspections on Completion of Endurance Tests**

The parameters to be measured and inspections to be performed on completion of endurance testing are scheduled in Table 6. Unless otherwise specified, the measurements shall be performed at $T_{amb} = +22 \pm 3 \text{ }^\circ\text{C}$.

4.8.4 **Conditions for Operating Life Tests (Part of Endurance Testing)**

The requirements for operating life testing are specified in Section 9 of ESCC Generic Specification No. 3010. The conditions for operating life testing shall be as specified in Table 5 for the Burn-in test.

4.8.5 **Electrical Circuit for Operating Life Tests (Figure 5)**

Not applicable.

TABLE 6 - MEASUREMENTS AND INSPECTIONS ON COMPLETION OF ENVIRONMENTAL TESTS AND AT INTERMEDIATE POINTS AND ON COMPLETION OF ENDURANCE TESTING

| No. | ESCC Generic Spec. No. 3010 | | Measurements and Inspections | | Symbol | Limits | | Unit |
|-----|--|---------------------------------------|--|--|---------|---------------------------|---------------|---------------|
| | Environmental and Endurance Tests (1) | Test Method and Conditions | Identification | Conditions | | Min. | Max. | |
| 01 | Rapid Change of Temperature | Para. 9.2 | Initial Measurements Capacitance | Table 2 Items 1 & 2 | CM & Cm | Table 2 | | pF |
| | | | Final Measurements Capacitance Drift | After a recovery period of 24 \pm 3 hrs Table 2 Items 1 & 2 | | Δ CM & Δ Cm | -0.05 -0.5 | +0.05 +0.5 |
| 02 | Electrical and Mechanical Measurements | Para. 9.3.4 | Electrical and Mechanical Measurements | Table 2 | | Table 2 | | |
| 03 | Robustness of Terminations | Para. 9.6 & Para. 4.3.3 of this spec. | None | - | - | - | - | - |
| 04 | Solderability | Para. 9.7 | Visual Examination | Magn. 10X to 30X | - | - | - | - |

| No. | ESCC Generic Spec. No. 3010 | | Measurements and Inspections | | Symbol | Limits | | Unit | | | | | |
|---------------------------|---------------------------------------|--------------------------------------|------------------------------|---|----------------|--------|------|------|---------------------------|-----------------|-------------|----------------|----------------|
| | Environmental and Endurance Tests (1) | Test Method and Conditions | Identification | Conditions | | Min. | Max. | | | | | | |
| 05 | Resistance to Soldering Heat | Para. 9.8 & Para. 4.3.4 of this spec | Initial Measurements | Table 2 Item 1 at 0.75 CM After a recovery period of 24 ±3 hrs Table 2 Item 1 at 0.75 CM Table 2 Item 5 Table 2 Item 6 | C | - | - | pF | | | | | |
| | | | Capacitance | | | | | | | | | | |
| | | | Final Measurements | | | | | | | | | | |
| | | | Capacitance Drift | | | | | | ΔC | -0.05 -1 | +0.05 +1 | pF or (4) % | |
| | | | Voltage Proof | | | | | | VP | 500 | - | V | |
| Quality Factor | Q | 10000 | - | - | | | | | | | | | |
| 06 | Vibration | Para. 9.9 | Initial Measurements | Table 2 Item 1 at 0.75 CM No arcing or shorting > 0.5ms Table 2 Item 1 at 0.75 CM | C | - | - | pF | | | | | |
| | | | Capacitance | | | | | | | | | | |
| | | | During Test | | | | | | | | | | |
| | | | Visual Examination | | | | | | - | - | - | | |
| Final Measurements | Table 2 Item 1 at 0.75 CM | ΔC | -0.05 -1 | +0.05 +1 | pF or (4) % | | | | | | | | |
| Capacitance Drift | | | | | | | | | | | | | |
| 07 | Shock or Bump | Para. 9.10 | Initial Measurements | Table 2 Item 1 at 0.75 CM No arcing or shorting > 0.5ms Table 2 Item 1 at 0.75 CM | C | - | - | pF | | | | | |
| | | | Capacitance | | | | | | | | | | |
| | | | During Test | | | | | | | | | | |
| | | | Visual Examination | | | | | | - | - | - | | |
| Final Measurements | Table 2 Item 1 at 0.75 CM | ΔC | -0.05 -1 | +0.05 +1 | pF or (4) % | | | | | | | | |
| Capacitance Drift | | | | | | | | | | | | | |
| 08 | Climatic Sequence | Para. 9.11 | Initial Measurements | Table 2 Item 1 at 0.75 CM Post Dry Heat & Cold Tests No evidence of mechanical damage After a recovery period of 24 ±3 hrs No evidence of damage Table 2 Item 1 at 0.75 CM Table 2 Item 6 Table 2 Item 4 Table 2 Item 5 Table 2 Item 7 | C | - | - | pF | | | | | |
| | | | Capacitance | | | | | | | | | | |
| | | | During Test | | | | | | | | | | |
| | | | Visual Examination | | | | | | - | - | - | | |
| | | | Final Measurements | | | | | | Table 2 Item 1 at 0.75 CM | ΔC | -0.05 -1 | +0.05 +1 | pF or (4) % |
| | | | Capacitance Drift | | | | | | | | | | |
| | | | Quality Factor | | | | | | Q | 10000 | - | - | |
| | | | Insulation Resistance | | | | | | R _i | 10 ⁵ | - | MΩ | |
| | | | Voltage Proof | | | | | | VP | 500 | - | V | |
| | | | Operating Torque | | | | | | T _{qo} | 0.3 | 2.8 | N.cm | |

| No. | ESCC Generic Spec. No. 3010 | | Measurements and Inspections | | Symbol | Limits | | Unit |
|-------------------|---------------------------------------|--|------------------------------|--|--|-------------------------|-------------|----------------|
| | Environmental and Endurance Tests (1) | Test Method and Conditions | Identification | Conditions | | Min. | Max. | |
| 09 | Damp Heat, Steady State | Para. 9.12 and Para. 4.3.5 of this specification. Half of components with U _R applied, half of components without U _R applied. | Initial Measurements | Table 2 Items 1 & 2 After a recovery period of 24 ±2 hrs Table 2 Items 1 & 2 Table 2 Item 6 Table 2 Item 4 Table 2 Item 4 Table 2 Item 5 Table 2 Item 7 | CM & Cm ΔCM & ΔCm Q R _i Cm R _i CM VP T _{qo} | Table 2 | | pF |
| | | | Capacitance | | | | | |
| | | | Final Measurements | | | | | |
| | | | Capacitance Drift | | | -0.05 -2 | +0.05 +2 | pF or (4) % |
| | | | Quality Factor | | | 10000 | - | - |
| | | | Insulation Resistance | | | 10 ⁵ | - | MΩ |
| | | | Insulation Resistance | | | 10 ⁵ | - | MΩ |
| | | | Voltage Proof | | | 500 | - | V |
| Operating Torque | 0.3 | 2.8 | N.cm | | | | | |
| 10 | End Stop Torque | Para. 9.13 Torque: 4 N.cm Duration: 5 ±1s | Final Measurements | Table 2 Item 1 Table 2 Item 2 Para. 9.4 of ESCC 3010 | Cm CM - | - | Tab.1(a) | pF |
| | | | Minimum Capacitance | | | | | |
| | | | Maximum Capacitance | | | Tab.1(a) | - | pF |
| | | | External Visual Inspection | | | - | - | - |
| 11 | Axial Thrust | Para. 9.14 Thrust: 6 N max. | Initial Measurements | Table 2 Item 1 at 0.75 CM With Thrust applied Table 2 Item 1 at 0.75 CM | C ΔC | - | - | pF |
| | | | Capacitance | | | | | |
| | | | During Test | | | | | |
| Capacitance Drift | -0.05 -1 | +0.05 +1 | pF or (4) % | | | | | |
| 12 | Mechanical Endurance | Para. 9.15 | During Test | After initial 50 cycles Table 2 item 5 Para. 9.15 of ESCC 3010 Table 2 Item 7 Between rotor screw and base, Para. 9.15 of ESCC 3010 | VP ΔC T _{qo} R _i VP Cm CM R _i Cm R _i CM Q | 500 | - | V |
| | | | Voltage Proof | | | | | |
| | | | Capacitance vs Rotation | | | Deviation ±10% max. (2) | - | - |
| | | | Operating Torque | | | 0.15 | 3.8 | N.cm |
| | | | Insulation Resistance | | | Table 2 Item 4 | | MΩ |
| | | | Final Measurements | | | | | |
| | | | Voltage Proof | | | 500 | - | V |
| | | | Minimum Capacitance | | | - | Tab.1(a) | pF |
| | | | Maximum Capacitance | | | Tab.1(a) | - | pF |
| | | | Insulation Resistance | | | 10 ⁶ | - | MΩ |
| | | | Insulation Resistance | | | 10 ⁶ | - | MΩ |
| | | | Quality Factor | | | 10000 | - | - |

| No. | ESCC Generic Spec. No. 3010 | | Measurements and Inspections | | Symbol | Limits | | Unit | | | | | | | | | |
|-----|---------------------------------------|---|----------------------------------|---|--------|---------|------|------|---|-----------------|-------|-----------|-----------|-------------------|-----------------|-----|------|
| | Environmental and Endurance Tests (1) | Test Method and Conditions | Identification | Conditions | | Min. | Max. | | | | | | | | | | |
| | | | | | | | | | | | | | | | | | |
| 13 | Operating Life | Para. 9.16 Change limits relate to initial (0 – hour) measurements | Initial Measurements | Table 2 Item 1 500 & 1000 hrs (3) After a recovery period of 4 ±2 hrs | CM | Table 2 | | pF | | | | | | | | | |
| | | | Capacitance | | | | | | | | | | | | | | |
| | | | Intermediate Measurements | | | | | | | | | | | | | | |
| | | | Capacitance Drift | | | | | | ΔCM | -0.05 | +0.05 | pF or (4) | | | | | |
| | | | Insulation Resistance | | | | | | R _i CM | 10 ⁶ | - | MΩ | | | | | |
| | | | Voltage Proof | | | | | | VP | 500 | - | V | | | | | |
| | | | Quality Factor | | | | | | Q | 10000 | - | - | | | | | |
| | | | Operating Torque | | | | | | T _{qo} | 0.3 | 2.8 | N.cm | | | | | |
| | | | Final Measurements | | | | | | 1000 & 2000 hrs (3) After a recovery period of 24 ±2 hrs | ΔCM | -0.05 | +0.05 | pF or (4) | | | | |
| | | | Capacitance Drift | | | | | | | | | | | | | | |
| | | | Insulation Resistance | | | | | | | | | | | R _i CM | 10 ⁶ | - | MΩ |
| | | | Voltage Proof | | | | | | | | | | | VP | 500 | - | V |
| | | | Quality Factor | | | | | | | | | | | Q | 10000 | - | - |
| | | | Operating Torque | | | | | | | | | | | T _{qo} | 0.3 | 2.8 | N.cm |

| | | | | | | | | |
|----|-------------------------|------------|-------------------------|-------------------------------|----|------------|--|----------------------|
| 14 | Temperature Coefficient | Para. 9.18 | Temperature Coefficient | Table 3 Item 8(i) or 8(ii) | TC | Table 1(a) | | 10 ⁻⁶ /°C |
|----|-------------------------|------------|-------------------------|-------------------------------|----|------------|--|----------------------|

NOTES

1. The tests in this Table refer to either Chart IV or V and shall be used as applicable.
2. No change of sign over the entire adjustment range.
3. 1000 hrs Intermediate and 2000 hrs Final relate to Qualification Testing (Chart IV) only.
4. Whichever is greater.

APPENDIX A
AGREED DEVIATIONS FOR TEKELEC (F)

Para. 9.3.1.5, Quality Factor of ESCC Generic Specification No. 3010 and Table 2 of this specification.

Measurement of the Q factor shall be performed at frequencies comprised between 100 and 400 MHz.

The value of the Q factor shall be determined at 100MHz by using the following formula:

$$Q_{fo} = Q_m \times (f_m/f_o)^{3/2}$$

where Q_m is the Q factor read at frequency f_m (f_m is that frequency where the quarter-wave line, including the capacitance being measured, is resonating) and $f_o = 100\text{MHz}$.

The record sheet shall indicate the Q factor at 100MHz, as required by Table 2 of this specification, as well as the frequency f_m at which the Q factor was read.

For LAT level 3: The measurements of the Q factor required by Table 2 of this specification must be done before Solderability.