



**CAPACITORS, VARIABLE, CONCENTRIC  
TRIMMER, AIR DIELECTRIC, 1 TO 10pF,  
BODY DIAMETER 6.2mm**

**ESCC Detail Specification No. 3010/011**

Issue 2	November 2013
---------	---------------



Document Custodian: European Space Agency – see <https://escies.org>

**LEGAL DISCLAIMER AND COPYRIGHT**

European Space Agency, Copyright © 2013. All rights reserved.

The European Space Agency disclaims any liability or responsibility, to any person or entity, with respect to any loss or damage caused, or alleged to be caused, directly or indirectly by the use and application of this ESCC publication.

This publication, without the prior permission of the European Space Agency and provided that it is not used for a commercial purpose, may be:

- copied in whole, in any medium, without alteration or modification.
- copied in part, in any medium, provided that the ESCC document identification, comprising the ESCC symbol, document number and document issue, is removed.

**DOCUMENTATION CHANGE NOTICE**

(Refer to <https://escies.org> for ESCC DCR content)

DCR No.	CHANGE DESCRIPTION
799	Specification upissued to incorporate editorial changes per DCR.

**TABLE OF CONTENTS**

1	GENERAL	6
1.1	SCOPE	6
1.2	TYPE VARIANTS	6
1.3	MAXIMUM RATINGS	6
1.4	PARAMETER DERATING INFORMATION (FIGURE 1)	6
1.5	PHYSICAL DIMENSIONS	6
1.6	FUNCTIONAL DIAGRAM	6
2	APPLICABLE DOCUMENTS	6
3	TERMS, DEFINITIONS, ABBREVIATIONS, SYMBOLS AND UNITS	6
4	REQUIREMENTS	10
4.1	GENERAL	10
4.2	DEVIATIONS FROM GENERIC SPECIFICATION	10
4.2.1	Deviations from Special In-process Controls	10
4.2.2	Deviations from Final Production Tests (Chart II)	10
4.2.3	Deviations from Burn-in and Electrical Measurements (Chart III)	11
4.2.4	Deviations from Qualification Tests (Chart IV)	11
4.2.5	Deviations from Lot Acceptance Tests (Chart V)	11
4.3	MECHANICAL REQUIREMENTS	11
4.3.1	Dimension Check	11
4.3.2	Weight	11
4.3.3	Robustness of Terminations	11
4.3.4	Resistance to Soldering Heat	11
4.4	MATERIALS AND FINISHES	11
4.4.1	Body	11
4.4.2	Terminals	11
4.5	MARKING	12
4.5.1	General	12
4.5.2	The ESCC Component Number	12
4.5.3	Traceability Information	12
4.6	ELECTRICAL MEASUREMENTS	12
4.6.1	Electrical Measurements at Room Temperature	12
4.6.2	Electrical Measurements at High and Low Temperatures	12
4.6.3	Circuits for Electrical Measurements	12
4.7	BURN-IN TESTS	12
4.8	ENVIRONMENTAL AND ENDURANCE TESTS (CHARTS IV AND V OF ESCC GENERIC SPECIFICATION NO. 3010)	14



4.8.1	Measurements and Inspections on Completion of Environmental Tests	14
4.8.2	Measurements and Inspections at Intermediate Points during Endurance Tests	14
4.8.3	Measurements and Inspections on Completion of Endurance Tests	14
4.8.4	Conditions for Operating Life Tests (Part of Endurance Testing)	14
4.8.5	Electrical Circuit for Operating Life Tests (Figure 5)	14
APPENDIX A		19

## 1 GENERAL

### 1.1 SCOPE

This specification details the ratings, physical and electrical characteristics, test and inspection data for Capacitors, Variable, Concentric Trimmer, Air Dielectric, 1 to 10 pF. It shall be read in conjunction with ESCC Generic Specification No. 3010, the requirements of which are supplemented herein.

### 1.2 TYPE VARIANTS

The type variants covered by this specification are scheduled in Table 1(a).

### 1.3 MAXIMUM RATINGS

The maximum ratings, which shall not be exceeded at any time during use or storage, applicable to the capacitors specified herein are scheduled in Table 1(b).

### 1.4 PARAMETER DERATING INFORMATION (FIGURE 1)

Not applicable.

### 1.5 PHYSICAL DIMENSIONS

The physical dimensions of the capacitors specified herein are shown in Figure 2.

### 1.6 FUNCTIONAL DIAGRAM

The functional diagram for the capacitors specified herein is shown in Figure 3.

## 2 APPLICABLE DOCUMENTS

The following documents form part of this specification and shall be read in conjunction with it:

- (a) ESCC Generic Specification No. 3010 for Capacitors, Variable, Concentric Trimmer.
- (b) IEC Publication No. 68-2-21, Robustness of Terminations.

## 3 TERMS, DEFINITIONS, ABBREVIATIONS, SYMBOLS AND UNITS

For the purpose of this specification, the terms, definitions, abbreviations, symbols and units specified in ESCC Basic Specification No. 21300 shall apply. In addition the following symbols are used:

$T_{q0}$  = Operating Torque.

$V_T$  = Test Voltage.

**TABLE 1(a) - TYPE VARIANTS**

Variant	Capacitance (pF)		Temperature Coefficient (10 <sup>-6</sup> /°C)	Figure
	Min.	Max.		
01	1	10	±50	2(a)
02	1	10	±50	2(b)
03	1	10	±50	2(c)
04	1.2	10	±50	2(d)
05	1	10	±50	2(e)

**TABLE 1(b) - MAXIMUM RATINGS**

No.	Characteristics	Symbol	Limits		Unit	Remarks
			Min.	Max.		
1	Rated Voltage	U <sub>R</sub>	-	250	V	-
2	Operating Temperature Range	T <sub>op</sub>	-55	+125	°C	Without derating
3	Storage Temperature Range	T <sub>stg</sub>	-55	+125	°C	-
4	Soldering Temperature	T <sub>sol</sub>	-	+260	°C	Note 1
5	Panel Mounting Nut Tightening Torque	-	-	20	cm.N	Note 2
6	Sealing Cap Tightening Torque	-	-	6	cm.N	Note 2

**NOTES**

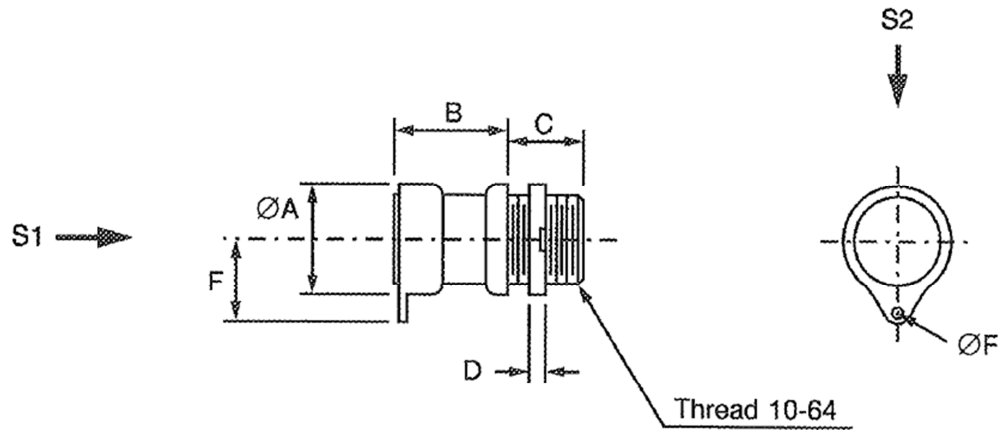
1. Duration 5 seconds maximum.
2. Handling precautions:
  - Use appropriate turning tool.
  - Rotor shall not be disconnected from stator.
  - When cleaning with solvent, it is absolutely necessary to screw on a sealing cap.
  - Sealing cap shall not be used on flight units.
  - Sealing cap shall be supplied with all units.

**FIGURE 1 - PARAMETER DERATING INFORMATION**

Not applicable.

**FIGURE 2 - PHYSICAL DIMENSIONS**

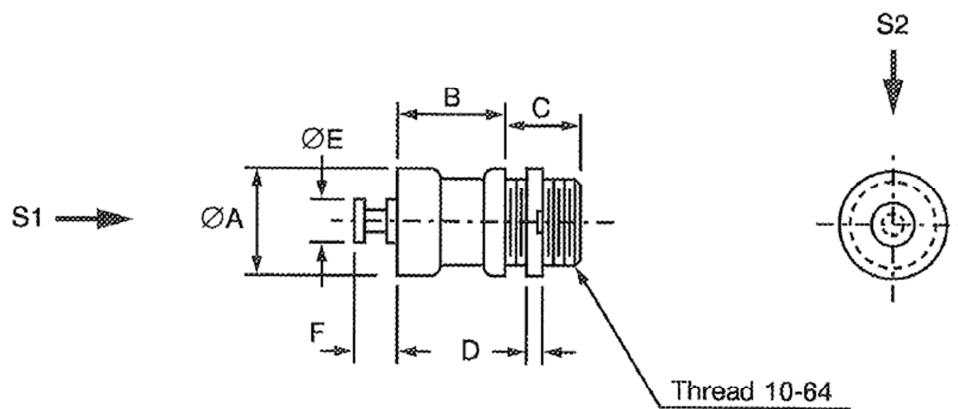
**FIGURE 2(a) - VARIANT 01, LUG PANEL MOUNT**



S1, S2 - Vibration and shock axis

		ØA	B	C	D	E	ØF
mm	Min	-	6.8	5.36	1.4	-	1.1
	Max	6.2	7.2	5.46	1.6	5.7	1.3

**FIGURE 2(b) - VARIANT 02, TURRET PANEL MOUNT**

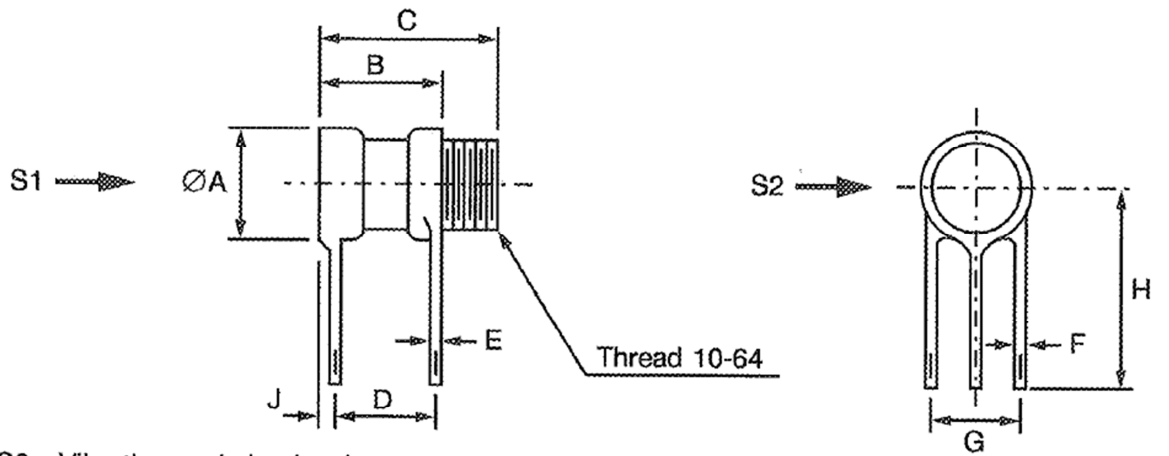


S1, S2 - Vibration and shock axis

		ØA	B	C	D	ØE	F
mm	Min	-	6.7	5.36	1.4	2.3	1.8
	Max	6.2	7.1	5.46	1.6	2.5	2.2



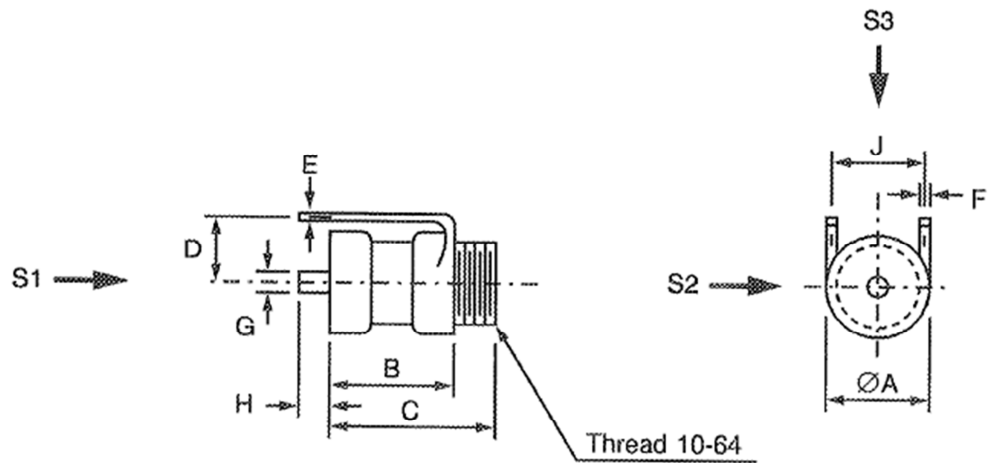
FIGURE 2(c) - VARIANT 03, PCB MOUNT



S1, S2 - Vibration and shock axis

		ØA	B	C	D	E	F	G	H	J
mm	Min	-	7.1	12.2	6.5	0.35	0.75	3.95	6.3	-
	Max	6.2	7.5	12.6	6.9	0.45	0.85	4.05	-	0.5

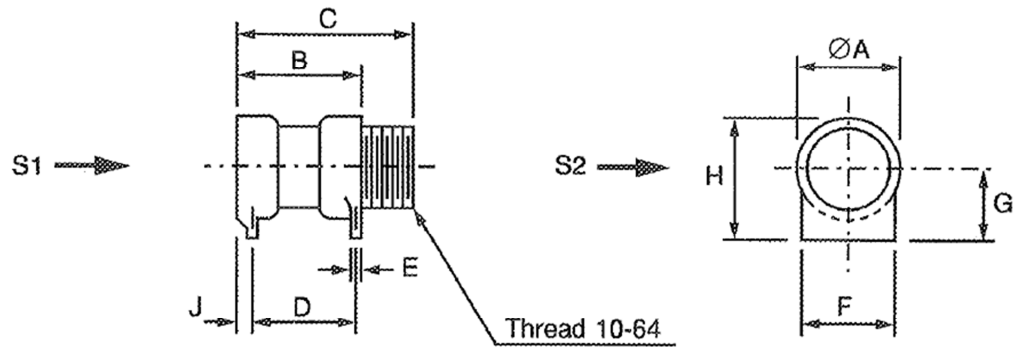
FIGURE 2(d) - VARIANT 04, VERTICAL MOUNT



S1, S2, S3 - Vibration and shock axis

		ØA	B	C	D	E	F	G	H	J
mm	Min	-	7.1	12.2	3.8	0.35	0.75	1.05	-	3.95
	Max	6.2	7.5	12.6	4.2	0.45	0.85	1.15	3	4.05

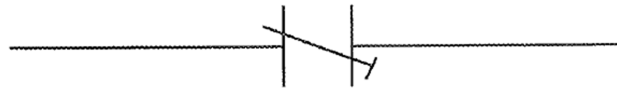
**FIGURE 2(e) - VARIANT 05, STRIP LINE MOUNT**



S1, S2 - Vibration and shock axis

		ØA	B	C	D	E	F	G	H	J
mm	Min	-	7.1	12.2	6.5	0.35	5.55	3.15	-	-
	Max	6.2	7.5	12.6	6.9	0.45	5.6	3.25	6.4	0.5

**FIGURE 3 - FUNCTIONAL DIAGRAM**



**4 REQUIREMENTS**

**4.1 GENERAL**

The complete requirements for procurement of the capacitors specified herein are stated in this specification and ESCC Generic Specification No. 3010 for Capacitors, Variable, Concentric Trimmer. Deviations from the Generic Specification, applicable to this specification only, are listed in Para. 4.2.

Deviations from the applicable Generic Specification and this Detail Specification, formally agreed with specific Manufacturers on the basis that the alternative requirements are equivalent to the ESCC requirements and do not affect the components' reliability, are listed in the appendices attached to this specification.

**4.2 DEVIATIONS FROM GENERIC SPECIFICATION**

**4.2.1 Deviations from Special In-process Controls**

None.

**4.2.2 Deviations from Final Production Tests (Chart II)**

(a) Serialisation: Not applicable.

#### 4.2.3 Deviations from Burn-in and Electrical Measurements (Chart III)

- (a) Para. 7.1, "Burn-in": Not applicable.
- (b) Para. 9.3.2, "Parameter Drift Value Measurements": Not applicable.

#### 4.2.4 Deviations from Qualification Tests (Chart IV)

- (a) Para. 9.15, "Mechanical Endurance": The 50 cycles shall be divided into 10 groups of 5 cycles. Upon completion of each group of 5 cycles, 1 minute of standing by shall be observed.

#### 4.2.5 Deviations from Lot Acceptance Tests (Chart V)

- (a) Para. 9.15, "Mechanical Endurance": The 50 cycles shall be divided into 10 groups of 5 cycles. Upon completion of each group of 5 cycles, 1 minute of standing by shall be observed.

### 4.3 MECHANICAL REQUIREMENTS

#### 4.3.1 Dimension Check

The dimensions of the capacitors specified herein shall be verified in accordance with the requirements set out in Para. 9.5 of ESCC Generic Specification No. 3010 and they shall conform to those shown in Figure 2 of this specification.

#### 4.3.2 Weight

The maximum weight of the capacitors specified herein shall be 2 grammes.

#### 4.3.3 Robustness of Terminations

The requirements for robustness of terminations are specified in Section 9 of ESCC Generic Specification No. 3010.

Applicable to Variants 03 and 04 only.

#### 4.3.4 Resistance to Soldering Heat

The requirements for resistance to soldering heat are specified in Section 9 of ESCC Generic Specification No. 3010. The test conditions shall be as follows:

Immersion Depth: To within 1mm from the body.

Immersion Time:  $3.5 \pm 0.5$  seconds.

### 4.4 MATERIALS AND FINISHES

The materials and finishes shall be as specified herein. Where a definite material is not specified, a material which will enable the capacitors specified herein to meet the performance requirements of this specification shall be used. Acceptance or approval of any constituent material does not guarantee acceptance of the finished product.

#### 4.4.1 Body

Ceramic.

#### 4.4.2 Terminals

Terminals shall be gold-plated or tinned.

## 4.5 MARKING

### 4.5.1 General

The marking of components delivered to this specification shall be in accordance with the requirements of ESCC Basic Specification No. 21700 and the following paragraphs. When the component is too small to accommodate all of the marking specified, as much as space permits shall be marked and the marking information, in full, shall accompany the component in its primary package.

The information to be marked and the order of precedence, shall be as follows:

- (a) The ESCC Component Number.
- (b) Traceability Information.

### 4.5.2 The ESCC Component Number

The ESCC Component Number shall be constituted and marked as follows:

Example: 301001101B

- Detail Specification Number: 3010011
- Type Variant (See Table 1(a)): 01
- Testing Level (B or C, as applicable): B

### 4.5.3 Traceability Information

Traceability information shall be marked in accordance with the requirements of ESCC Basic Specification No. 21700.

- (a) Manufacturing Date Code.
- (b) Serial Number.
- (c) Manufacturer's Name.

## 4.6 ELECTRICAL MEASUREMENTS

### 4.6.1 Electrical Measurements at Room Temperature

The parameters to be measured at room temperature are scheduled in Table 2. Unless otherwise specified, measurements shall be performed at  $T_{amb} = +22 \pm 3 \text{ }^\circ\text{C}$ .

### 4.6.2 Electrical Measurements at High and Low Temperatures

The parameters to be measured at high and low temperatures are scheduled in Table 3.

### 4.6.3 Circuits for Electrical Measurements

Not applicable.

## 4.7 BURN-IN TESTS

Not applicable.

**TABLE 2 - ELECTRICAL MEASUREMENTS AT ROOM TEMPERATURE**

No.	Characteristics	Symbol	ESCC 3010 Test Method	Test Conditions	Limits		Unit
					Min	Max	
1	Minimum Capacitance	C <sub>m</sub>	Para. 9.3.1.1	1 ±0.1 MHz	-	1 (1)	pF
2	Maximum Capacitance	CM	Para. 9.3.1.1	1 ±0.1 MHz	10	-	pF
3	Change in Capacitance	-	Para. 9.3.1.2	1 ±0.1 MHz Note 2	-	-	-
4	Insulation Resistance	R <sub>i</sub>	Para. 9.3.1.3	500V ±25V	10 <sup>6</sup>	-	MΩ
5	Voltage Proof	VP	Para. 9.3.1.4	-	500	-	V
6	Quality Factor	Q	Para. 9.3.1.5	100 ±5 MHz Note 3	7500	-	-
7	Operating Torque	T <sub>qo</sub>	Para. 9.3.1.6	C minimum to maximum	0.3	2.8	N.cm

**NOTES**

1. Except 1.2pF for Variant 04.
2. No change of sign over the entire adjustment range.
3. Sampling Level II, AQL = 1.0%.

**TABLE 3 - ELECTRICAL MEASUREMENTS AT HIGH AND LOW TEMPERATURES**

No.	Characteristics	Symbol	ESCC 3010 Test Method	Test Conditions (Note 1)	Limits		Unit
					Min	Max	
4	Insulation Resistance at T <sub>amb</sub> = +125 ±3 °C	R <sub>i</sub>	Para. 9.3.1.3	500V ±25V	10 <sup>5</sup>	-	MΩ
8(i)	Temperature Coefficient	TC1	Para. 9.18	Between -55 and +22 °C Note 2	-50	+50	10 <sup>-6</sup> /°C
8(ii)	Temperature Coefficient	TC2	Para. 9.18	Between +22 and +125 °C Note 2	-50	+50	10 <sup>-6</sup> /°C

**NOTES**

1. Inspection Level II, AQL 2.5%.
2. Trimmers set at approx. 75% of rated max. capacitance.

**FIGURE 4 - CIRCUITS FOR ELECTRICAL MEASUREMENTS**

Not applicable.

**TABLE 4 - PARAMETER DRIFT VALUES**

Not applicable.

**TABLE 5 - CONDITIONS FOR OPERATING LIFE TESTS**

No.	Characteristic	Symbol	Condition	Unit
1	Ambient Temperature	$T_{amb}$	+125 (+0 -3)	°C
2	Test Voltage	$V_T$	375	V

**FIGURE 5 - ELECTRICAL CIRCUIT FOR OPERATING LIFE TESTS**

Not applicable.

4.8 ENVIRONMENTAL AND ENDURANCE TESTS (CHARTS IV AND V OF ESCC GENERIC SPECIFICATION NO. 3010)

4.8.1 Measurements and Inspections on Completion of Environmental Tests

The parameters to be measured and inspections to be performed on completion of environmental tests are scheduled in Table 6. Unless otherwise specified, the measurements shall be performed at  $T_{amb} = +22 \pm 3$  °C.

4.8.2 Measurements and Inspections at Intermediate Points during Endurance Tests

The parameters to be measured and inspections to be performed at intermediate points during endurance tests are scheduled in Table 6. Unless otherwise specified, the measurements shall be performed at  $T_{amb} = +22 \pm 3$  °C.

4.8.3 Measurements and Inspections on Completion of Endurance Tests

The parameters to be measured and inspections to be performed on completion of endurance testing are scheduled in Table 6. Unless otherwise specified, the measurements shall be performed at  $T_{amb} = +22 \pm 3$  °C.

4.8.4 Conditions for Operating Life Tests (Part of Endurance Testing)

The requirements for operating life testing are specified in Section 9 of ESCC Generic Specification No. 3010. The conditions for operating life testing shall be as specified in Table 5 for the Burn-in test.

4.8.5 Electrical Circuit for Operating Life Tests (Figure 5)

Not applicable.

**TABLE 6 - MEASUREMENTS AND INSPECTIONS ON COMPLETION OF ENVIRONMENTAL TESTS AND AT INTERMEDIATE POINTS AND ON COMPLETION OF ENDURANCE TESTING**

No.	ESCC Generic Spec. No. 3010		Measurements and Inspections		Symbol	Limits		Unit
	Environmental and Endurance Tests (1)	Test Method and Conditions	Identification	Conditions		Min.	Max.	
01	Rapid Change of Temperature	Para. 9.2	<b>Initial Measurements</b> Capacitance	Table 2 Items 1 & 2	CM & Cm	Table 2		pF
			<b>Final Measurements</b> Capacitance Drift	After a recovery period of 24 ±3 hrs Table 2 Items 1 & 2	ΔCM & ΔCm	-0.05 -0.5	+0.05 +0.5	pF or (4) %
02	Electrical and Mechanical Measurements	Para. 9.3.4	Electrical and Mechanical Measurements	Table 2		Table 2		
03	Robustness of Terminations	Para. 9.6 & Para. 4.3.3 of this spec.	None	-	-	-	-	-
04	Solderability	Para. 9.7	Visual Examination	Magn. 10X to 30X	-	-	-	-
05	Resistance to Soldering Heat	Para. 9.8 & Para. 4.3.4 of this spec	<b>Initial Measurements</b> Capacitance	Table 2 Item 1 at 0.75 CM	C	-	-	pF
			<b>Final Measurements</b> Capacitance Drift	After a recovery period of 24 ±3 hrs Table 2 Item 1 at 0.75 CM	ΔC	-0.05 -1	+0.05 +1	pF or (4) %
			Voltage Proof	Table 2 Item 5	VP	500	-	V
			Quality Factor	Table 2 Item 6	Q	7500	-	-
06	Vibration	Para. 9.9	<b>Initial Measurements</b> Capacitance	Table 2 Item 1 at 0.75 CM	C	-	-	pF
			<b>During Test</b> Visual Examination	No arcing or shorting > 0.5ms	-	-	-	-
			<b>Final Measurements</b> Capacitance Drift	Table 2 Item 1 at 0.75 CM	ΔC	-0.05 -1	+0.05 +1	pF or (4) %
07	Shock or Bump	Para. 9.10	<b>Initial Measurements</b> Capacitance	Table 2 Item 1 at 0.75 CM	C	-	-	pF
			<b>During Test</b> Visual Examination	No arcing or shorting > 0.5ms	-	-	-	-
			<b>Final Measurements</b> Capacitance Drift	Table 2 Item 1 at 0.75 CM	ΔC	-0.05 -1	+0.05 +1	pF or (4) %

No.	ESCC Generic Spec. No. 3010		Measurements and Inspections		Symbol	Limits		Unit					
	Environmental and Endurance Tests (1)	Test Method and Conditions	Identification	Conditions		Min.	Max.						
08	Climatic Sequence	Para. 9.11	<b>Initial Measurements</b>	Table 2 Item 1 at 0.75 CM Post Dry Heat & Cold Tests No evidence of mechanical damage After a recovery period of 24 ±3 hrs No evidence of damage	C	-	-	pF					
			Capacitance										
			<b>During Test</b>										
			Visual Examination										
			<b>Final Measurements</b>										
			Visual Examination										
			Capacitance Drift						Table 2 Item 1 at 0.75 CM	ΔC	-0.05 -1	+0.05 +1	pF or (4) %
			Quality Factor						Table 2 Item 6	Q	7500	-	-
			Insulation Resistance						Table 2 Item 4	R <sub>i</sub>	10 <sup>5</sup>	-	MΩ
Voltage Proof	Table 2 Item 5	VP	500	-	V								
Operating Torque	Table 2 Item 7	T <sub>qo</sub>	0.3	2.8	N.cm								
09	Damp Heat, Steady State	Para. 9.12 and Para. 4.3.5 of this specification. Half of components with U <sub>R</sub> applied, half of components without U <sub>R</sub> applied.	<b>Initial Measurements</b>	Table 2 Items 1 & 2 After a recovery period of 24 ±2 hrs Table 2 Items 1 & 2	CM & Cm	Table 2	pF						
			Capacitance										
			<b>Final Measurements</b>										
			Capacitance Drift										
			Quality Factor					Table 2 Item 6	Q	7500	-	-	
			Insulation Resistance					Table 2 Item 4	R <sub>i</sub> Cm	10 <sup>5</sup>	-	MΩ	
			Insulation Resistance					Table 2 Item 4	R <sub>i</sub> CM	10 <sup>5</sup>	-	MΩ	
Voltage Proof	Table 2 Item 5	VP	500	-	V								
Operating Torque	Table 2 Item 7	T <sub>qo</sub>	0.3	2.8	N.cm								
10	End Stop Torque	Para. 9.13 Torque: 4 N.cm Duration: 5 ±1s	<b>Final Measurements</b>	Table 2 Item 1 Table 2 Item 2 Para. 9.4 of ESCC 3010	Cm CM -	-	Tab.1(a) - -	pF pF -					
			Minimum Capacitance										
			Maximum Capacitance										
External Visual Inspection													
11	Axial Thrust	Para. 9.14 Thrust: 6 N max.	<b>Initial Measurements</b>	Table 2 Item 1 at 0.75 CM With Thrust applied	C	-	-	pF					
			Capacitance										
			<b>During Test</b>										
Capacitance Drift	Table 2 Item 1 at 0.75 CM	ΔC	-0.05 -1	+0.05 +1	pF or (4) %								



No.	ESCC Generic Spec. No. 3010		Measurements and Inspections		Symbol	Limits		Unit
	Environmental and Endurance Tests (1)	Test Method and Conditions	Identification	Conditions		Min.	Max.	
12	Mechanical Endurance	Para. 9.15	<b>During Test</b>	After initial 50 cycles				
			Voltage Proof	Table 2 item 5	VP	500	-	V
			Capacitance vs Rotation	Para. 9.15 of ESCC 3010	$\Delta C$	Deviation $\pm 10\%$ max. (2)		-
			Operating Torque	Table 2 Item 7	$T_{qo}$	0.15	3.8	N.cm
			Insulation Resistance	Between rotor screw and base, Para. 9.15 of ESCC 3010	$R_i$	Table 2 Item 4		M $\Omega$
			<b>Final Measurements</b>					
			Voltage Proof	Table 2 Item 5	VP	500	-	V
			Minimum Capacitance	Table 2 Item 1	$C_m$	-	Tab.1(a)	pF
			Maximum Capacitance	Table 2 Item 2	CM	Tab.1(a)	-	pF
			Insulation Resistance	Table 2 Item 4	$R_i, C_m$	$10^6$	-	M $\Omega$
Insulation Resistance	Table 2 Item 4	$R_i, CM$	$10^6$	-	M $\Omega$			
Quality Factor	Table 2 Item 6	Q	7500	-	-			
13	Operating Life	Para. 9.16 Change limits relate to initial (0 – hour) measurements	<b>Initial Measurements</b>	Table 2 Item 1	CM	Table 2		pF
			Capacitance	500 & 1000 hrs (3)				
			<b>Intermediate Measurements</b>	After a recovery period of 4 $\pm 2$ hrs				
			Capacitance Drift	Table 2 Item 1	$\Delta CM$	-0.05 -2	+0.05 +2	pF or (4) %
			Insulation Resistance	Table 2 Item 4	$R_i, CM$	$10^6$	-	M $\Omega$
			Voltage Proof	Table 2 Item 5	VP	500	-	V
			Quality Factor	Table 2 Item 6	Q	7500	-	-
			Operating Torque	Table 2 Item 7	$T_{qo}$	0.3	2.8	N.cm
			<b>Final Measurements</b>	1000 & 2000 hrs (3) After a recovery period of 24 $\pm 2$ hrs				
			Capacitance Drift	Table 2 Item 1	$\Delta CM$	-0.05 -2	+0.05 +2	pF or (4) %
			Insulation Resistance	Table 2 Item 4	$R_i, CM$	$10^6$	-	M $\Omega$
			Voltage Proof	Table 2 Item 5	VP	500	-	V
			Quality Factor	Table 2 Item 6	Q	7500	-	-
Operating Torque	Table 2 Item 7	$T_{qo}$	0.3	2.8	N.cm			
14	Temperature Coefficient	Para. 9.18	Temperature Coefficient	Table 3 Item 8(i) or 8(ii)	TC	Table 1(a)		$10^{-6}/^{\circ}C$

**NOTES**

1. The tests in this Table refer to either Chart IV or V and shall be used as applicable.
2. No change of sign over the entire adjustment range.
3. 1000 hrs Intermediate and 2000 hrs Final relate to Qualification Testing (Chart IV) only.

4. Whichever is greater.

**APPENDIX A**  
**AGREED DEVIATIONS FOR TEKELEC (F)**

Para. 9.3.1.5, Quality Factor of ESCC Generic Specification No. 3010 and Table 2 of this specification.

Measurement of the Q factor shall be performed at frequencies comprised between 100 and 400 MHz.

The value of the Q factor shall be determined at 100MHz by using the following formula:

$$Q_{fo} = Q_m \times (f_m/f_o)^{3/2}$$

where  $Q_m$  is the Q factor read at frequency  $f_m$  ( $f_m$  is that frequency where the quarter-wave line, including the capacitance being measured, is resonating) and  $f_o = 100\text{MHz}$ .

The record sheet shall indicate the Q factor at 100MHz, as required by Table 2 of this specification, as well as the frequency  $f_m$  at which the Q factor was read.

For LAT level 3: The measurements of the Q factor required by Table 2 of this specification must be done before Solderability.