



DOCUMENT CHANGE REQUEST

DCR number 555

Changes required for: N/A

Originator: Alain Blanchard

Date: 2009/11/11

Date sent: 2009/11/11

Organisation: CNES

Status: IMPLEMENTED

Title: RF Coaxial Adaptors and Connecting Pieces, Type SMA 2.9, 50 Ohms

Number: 3402/023

Issue: 2

Other documents affected:

Page:

Figure 2(b) variants

Paragraph:

Figure 2(b) variants

Original wording:

Proposed wording:

New variants added according to attached files

Justification:

Following request of our Customers (Thales and Astrium) Radiall has developed 3 variants of adaptors with right angle to facilitate the mounting on the equipment.

These variants are created to complete the range of connectors SMA 2.9mm.

Right angle connectors are used and are qualified in accordance with ESCC 3402/003 specification, for SMA connectors limited at 18 GHZ


Attachments:

Demande_ajout_variannes_ESCC3402-023.pdf, null

Modifications:

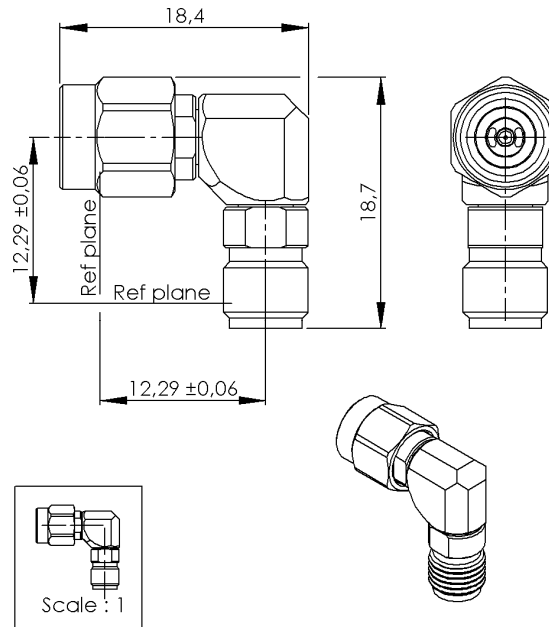
N/A

Approval signature:

A handwritten signature in black ink, appearing to read "R. S. Fleury".

Date signed:

2009-11-11

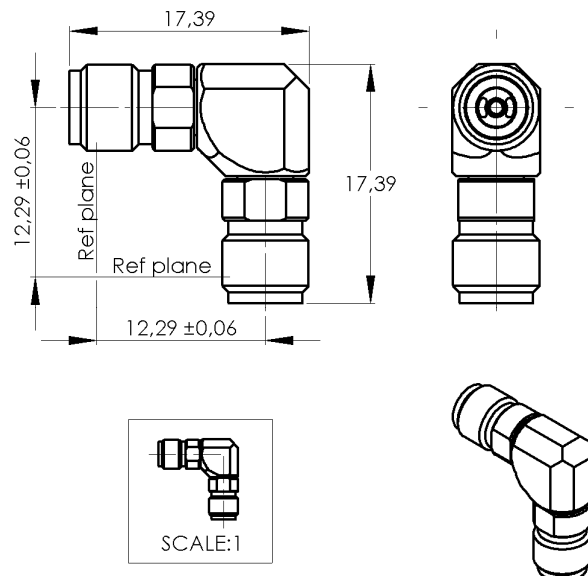
Figure 2(b) – VARIANTS (CONTINUED)
Variant XX – RIGHT ANGLE MALE/FEMALE ADAPTOR


All dimensions are in mm

ELECTRICAL CHARACTERISTICS	VALUES	UNITS
Frequency range	0 to 40	GHz
Maximum voltage standing wave ration (VSWR)	DC to 32GHz: 1.20 32 to 40GHz: 1.50	-
Maximum insertion loss	DC to 32GHz: $0.07\sqrt{F}$ (GHz) 32 to 40GHz: $0.09\sqrt{F}$ (GHz)	dB
RF leakage	- [120 – F (GHz)]	dB
Voltage proof	750	Vrms
Power Handling Category (Figure 1(a))	Category I	-

MECHANICAL CHARACTERISTICS	VALUES	UNITS
Mini centre contact retention force (axial)	27	N
Mini centre contact retention torque	Not Applicable	N.cm
Mini cable retention force	Not Applicable	N
Mini cable retention torque value	Not Applicable	N.cm
Maximum weight	6.5	g

OTHER CHARACTERISTICS	VALUES	UNITS
Rapid change of temperature (peak)	+165	°C
Operating temperature range	-65 to +165	°C
Maxi leakage (panel sealed connectors)	Not Applicable	-
Maxi leakage (hermetic sealed connector)	Not Applicable	-
Solderability	Not Applicable	-
Soldering proof	Not Applicable	-
Cable used	Not Applicable	-

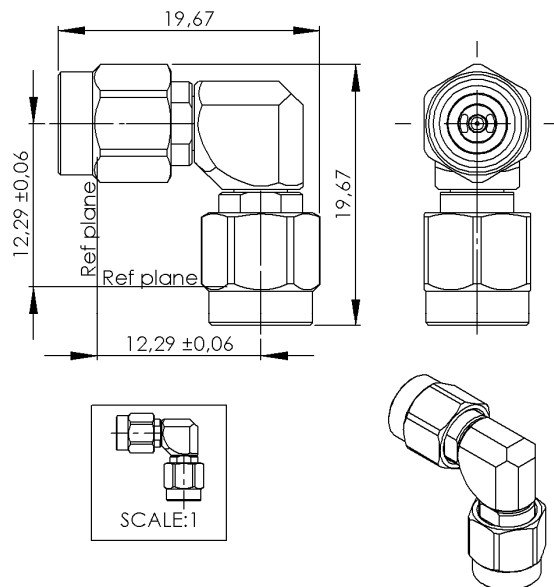
Figure 2(b) – VARIANTS (CONTINUED)
Variant XX – RIGHT ANGLE FEMALE/FEMALE ADAPTOR


All dimensions are in mm

ELECTRICAL CHARACTERISTICS	VALUES	UNITS
Frequency range	0 to 40	GHz
Maximum voltage standing wave ration (VSWR)	DC to 32GHz: 1.20 32 to 40GHz: 1.50	-
Maximum insertion loss	DC to 32GHz: $0.07\sqrt{F}$ (GHz) 32 to 40GHz: $0.09\sqrt{F}$ (GHz)	dB
RF leakage	- [120 – F (GHz)]	dB
Voltage proof	750	Vrms
Power Handling Category (Figure 1(a))	Category I	-

MECHANICAL CHARACTERISTICS	VALUES	UNITS
Mini centre contact retention force (axial)	27	N
Mini centre contact retention torque	Not Applicable	N.cm
Mini cable retention force	Not Applicable	N
Mini cable retention torque value	Not Applicable	N.cm
Maximum weight	5.5	g

OTHER CHARACTERISTICS	VALUES	UNITS
Rapid change of temperature (peak)	+165	°C
Operating temperature range	-65 to +165	°C
Maxi leakage (panel sealed connectors)	Not Applicable	-
Maxi leakage (hermetic sealed connector)	Not Applicable	-
Solderability	Not Applicable	-
Soldering proof	Not Applicable	-
Cable used	Not Applicable	-

Figure 2(b) – VARIANTS (CONTINUED)
Variant XX – RIGHT ANGLE MALE/MALE ADAPTOR


All dimensions are in mm

ELECTRICAL CHARACTERISTICS	VALUES	UNITS
Frequency range	0 to 40	GHz
Maximum voltage standing wave ration (VSWR)	DC to 32GHz: 1.20 32 to 40GHz: 1.50	-
Maximum insertion loss	DC to 32GHz: $0.07\sqrt{F}$ (GHz) 32 to 40GHz: $0.09\sqrt{F}$ (GHz)	dB
RF leakage	- [120 – F (GHz)]	dB
Voltage proof	750	Vrms
Power Handling Category (Figure 1(a))	Category I	-

MECHANICAL CHARACTERISTICS	VALUES	UNITS
Mini centre contact retention force (axial)	27	N
Mini centre contact retention torque	Not Applicable	N.cm
Mini cable retention force	Not Applicable	N
Mini cable retention torque value	Not Applicable	N.cm
Maximum weight	7.5	g

OTHER CHARACTERISTICS	VALUES	UNITS
Rapid change of temperature (peak)	+165	°C
Operating temperature range	-65 to +165	°C
Maxi leakage (panel sealed connectors)	Not Applicable	-
Maxi leakage (hermetic sealed connector)	Not Applicable	-
Solderability	Not Applicable	-
Soldering proof	Not Applicable	-
Cable used	Not Applicable	-