



# DOCUMENT CHANGE REQUEST

DCR number	446	Changes required for:	N/A	Originator:	Connecteurs Electriques
Date:	2008/11/21	Date sent:	2008/11/21	Organisation:	CNES
Status:	IMPLEMENTED				

Title: Connectors Miniature Electrical Circular Push-Pull Coupling Removable Crimp Contacts, based on

Number:	3401/008	Issue:	1
---------	----------	--------	---

Other documents affected:

Page:

Figure 2 page 8 "Shell type 70 - square flange receptacle"

Paragraph:

Figure 2 page 8 "Shell type 70 - square flange receptacle"

Original wording:

Proposed wording:

Mistake appears in the specification since it was created.  
Cotation  $15.10\hat{A}\pm 0.20$  is not correctly attached. It is attached in front of flange, it must be attached on the rear of flange (see document attached)

Justification:

Specification to be corrected according to DEUTSCH design unchanged since DBAS connector qualification.

Attachments:

DCR446att.pdf, null

Modifications:

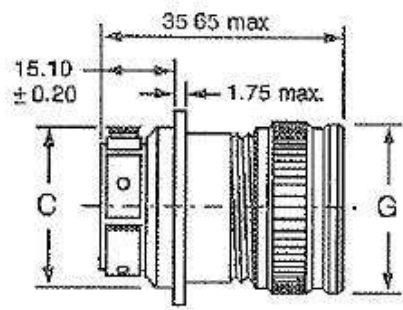
N/A

Approval signature:

Date signed:

2008-11-21

Before



After

