



DOCUMENT CHANGE REQUEST

DCR number 436 Changes required for: General

Originator: S Jeffery - ESCC

Date: 2008/10/30

Date sent: 2008/10/30

Organisation:

Status: IMPLEMENTED

Title: Connector Savers Electrical Rectangular Microminiature, based on type MDM

Number: 3401/041

Issue: 2

Other documents affected:

Page:

Pg 5 - Paras. 1.1 and 2; Pg 6 - Table 1(a); Pg 7 - Fig. 1(b); Pgs 8 and 9 - Fig. 2; Pg 13 - Paras. 4.4.3 and 4.4.5; Pg 16 - Table 2; Pg 17 - Fig. 4; Pgs 19 and 20 - Table 6

Paragraph:

Pg 5 - Paras. 1.1 and 2; Pg 6 - Table 1(a); Pg 7 - Fig. 1(b); Pgs 8 and 9 - Fig. 2; Pg 13 - Paras. 4.4.3 and 4.4.5; Pg 16 - Table 2; Pg 17 - Fig. 4; Pgs 19 and 20 - Table 6

Original wording:

Proposed wording:

(see also attached mark-up)

General changes to the format (part of ESCC's new format policy). Examples: Table 1(a) Variant 01 Max. Weight was 4.0, now 4; Variant 02 Min. Unmating Force was 2.0, now 2; Figure 2.1 Variant 04 Dim. A Max. was 30.10, now 30.1.

Paras. 1.1(b) and 2(b): text "ESCC Detail Specification No. 3401/032 (etc.)" amended to "ESCC Detail Specification No. 3401/032, Accessories for Connectors, Microminiature, 3401/029, 3401/077 and Connector Savers 3401/041."

Para. 2(c): Change ref. to "A-A-59551, Wire, Electrical, Copper, Uninsulated."

Para. 2(d): Spec ref. updated, was "-C-" now "-DTL-".

Para. 2(f): Spec ref. updated, was "-PRF-" now "-DTL-", comma added after "Connectors".

Table 1(a): New Note 2 added, original Note 2 re-numbered. "PS" deleted from all rows of Shell Size column.

Figure 2.1 dimensions table: "PS" deleted from all rows of Size column.

Paras. 4.4.3.1 and 4.4.3.2: MIL-G-45204 updated to MIL-DTL-45204.



DOCUMENT CHANGE REQUEST

DCR number 436 Changes required for: General

Date: 2008/10/30

Date sent: 2008/10/30

Originator: S Jeffery - ESCC

Organisation:

Status: IMPLEMENTED

Para. 4.4.5: QQ-W-343 updated to A-A-59551; MIL-G-45204 updated to MIL-DTL-45204.

Justification:

Introduction of new ESCC Detail Specification No. 3401/077 for MDMA connectors (these saver connectors â.. except for Variant 07 [Shell Size 51] â.. are the applicable savers for the MDMA connectors).

Update of MIL Specification references.

The term Shell Size (Table 1(a) and Figure 2.1) is only the shell size and therefore should not include contact type codification (PS). Ref. Para. 4.5.3.

Attachments:

3401041_Issue_3_-_Draft_A.pdf, null

Modifications:

N/A

Approval signature:

Date signed:

2008-10-30



Pages 1 to 20

**CONNECTOR SAVERS, ELECTRICAL,
RECTANGULAR, MICROMINIATURE,
BASED ON TYPE MDM**


ESCC Detail Specification No. 3401/041

ISSUE ~~2~~ 3 Draft A

April 2003



Document Custodian: European Space Agency - see <https://escies.org>

	ESCC Detail Specification No. 3401/041		PAGE i ISSUE 2 3 Draft A
-----------------------------------------------------------------------------------	-------------------------------------------	--	-------------------------------------------


LEGAL DISCLAIMER AND COPYRIGHT

European Space Agency, Copyright © 200~~7~~⁸. All rights reserved.

The European Space Agency disclaims any liability or responsibility, to any person or entity, with respect to any loss or damage caused, or alleged to be caused, directly or indirectly by the use and application of this ESCC publication.

This publication, without the prior permission of the European Space Agency and provided that it is not used for a commercial purpose, may be:

- copied in whole in any medium without alteration or modification.
- copied in part, in any medium, provided that the ESCC document identification, comprising the ESCC symbol, document number and document issue, is removed.

	<p>ESCC Detail Specification No. 3401/041</p>		<p>PAGE 2 ISSUE 2 3 Draft A</p>
-----------------------------------------------------------------------------------	---------------------------------------------------	--	-----------------------------------------

DOCUMENTATION CHANGE NOTICE

(Refer to <https://escies.org> for ESCC DCR content)

DCR No.	CHANGE DESCRIPTION
<p>T&D</p>	<p>Specification upissued to incorporate editorial and technical changes per DCR₆</p>


	<p style="text-align: center;">ESCC Detail Specification No. 3401/041</p>	<p style="text-align: right;">PAGE 3 ISSUE 23 Draft A</p>
-----------------------------------------------------------------------------------	-------------------------------------------------------------------------------	-------------------------------------------------------------------

TABLE OF CONTENTS

		<u>Page</u>
1.	<u>GENERAL</u>	5
1.1	Scope	5
1.2	Type Variants	5
1.3	Maximum Ratings	5
1.4	Parameter Derating Information	5
1.5	Physical Dimensions	5
1.6	Contact Arrangements	5
2.	<u>APPLICABLE DOCUMENTS</u>	5
3.	<u>TERMS, DEFINITIONS, ABBREVIATIONS, SYMBOLS AND UNITS</u>	5
4.	<u>REQUIREMENTS</u>	11
4.1	General	11
4.2	Deviations from Generic Specification	11
4.2.1	Deviations from Special In-process Controls	11
4.2.2	Deviations from Final Production Tests	11
4.2.3	Deviations from Burn-in and Electrical Measurements	11
4.2.4	Deviations from Qualification Tests	11
4.2.5	Deviations from Lot Acceptance Tests	11
4.3	Mechanical Requirements	12
4.3.1	Dimension Check	12
4.3.2	Weight	12
4.3.3	Contact Capability	12
4.3.4	Contact Retention (In Insert)	12
4.3.5	Mating and Unmating Forces	12
4.3.6	Insert Retention (In Shell)	12
4.3.7	Jackscrew Retention	12
4.3.8	Contact Insertion and Withdrawal Forces	12
4.3.9	Engagement and Separation Forces (Male Contacts)	12
4.3.10	Oversize Pin Exclusion	13
4.3.11	Probe Damage	13
4.3.12	Solderability	13
4.4	Materials and Finishes	13
4.4.1	Shells	13
4.4.2	Inserts	13
4.4.3	Contacts	13
4.4.4	Seals, Interfacial	13
4.4.5	Uninsulated Solid Wire	13
4.4.6	Potting	13
4.5	Marking	14
4.5.1	General	14
4.5.2	The ESCC Component Number	14
4.5.3	Characteristics	14
4.5.4	Traceability Information	15
4.6	Electrical Measurements	15
4.6.1	Electrical Measurements at Room Temperature	15
4.6.2	Electrical Measurements at High and Low Temperatures	15
4.6.3	Circuits for Electrical Measurements	15
4.7	Burn-in and Electrical Measurements	15

		<u>Page</u>
4.8	Environmental and Endurance Tests	18
4.8.1	Measurements and Inspection on Completion of Environmental Tests	18
4.8.2	Measurements and Inspections at Intermediate Points during Endurance Tests	18
4.8.3	Measurements and Inspections on Completion of Endurance Tests	18
4.8.4	Conditions for Operating Life Tests	18
4.8.5	Electrical Circuits for Operating Life Tests	18
4.8.6	Conditons for High Temperature Storage Test	18

TABLES

1(a)	Type Variants	6
1(b)	Maximum Ratings	6
2	Electrical Measurements at Room Temperature	16
3	Not applicable	
4	Not applicable	
5	Not applicable	
6	Measurements and Inspections on Completion of Environmental and Endurance Tests	19

FIGURES

1	Parameter Derating Information	7
2	Physical Dimensions	8
3	Contact Arrangements	10
4	Gauge Fixture	17

APPENDICES (Applicable to specific Manufacturers only)

None.

1. **GENERAL**

1.1 **SCOPE**

This specification details the ratings, physical and electrical characteristics, test and inspection data of Connector Savers, Electrical, Rectangular, Microminiature with Non-removable Crimp-type Contacts, based on Type MDM.

It shall be read in conjunction with:

- (a) ESCC Generic Specification No. 3401, Connectors, Electrical, Rectangular and Circular.
- (b) ESCC Detail Specification No. 3401/032, Accessories for Connectors, Microminiature, 3401/029, and Connector Savers ~~No.~~ 3401/041.

the requirements of which are supplemented herein.

3401/077

1.2 **TYPE VARIANTS**

Variants of the basic type connector savers specified herein, which are also covered by this specification, together with their mechanical characteristics, are given in Table 1(a).

1.3 **MAXIMUM RATINGS**

The maximum ratings, which shall not be exceeded at any time during use or storage, applicable to the connector savers specified herein, are scheduled in Table 1(b).

1.4 **PARAMETER DERATING INFORMATION**

The derating information applicable to the connector savers specified herein is shown in Figure 1.

1.5 **PHYSICAL DIMENSIONS**

The physical characteristics of the connector savers specified herein are shown in Figure 2.

1.6 **CONTACT ARRANGEMENTS**

Contact arrangements are shown in Figure 3.

2. **APPLICABLE DOCUMENTS**

The following documents form part of this specification and shall be read in conjunction with it:-

- (a) ESCC Generic Specification No. 3401, Connectors, Electrical, Circular and Rectangular.
- (b) ESCC Detail Specification No. 3401/032, Accessories for Connectors, Microminiature for 3401/029, and Connector Savers ~~No.~~ 3401/041.

3401/077

~~(c) QQ-W-349, Wires, Electrical Uninsulated.~~

(d) MIL-~~8~~ 45204, Gold Plating, Electro-deposited.

(e) MIL-C-14559, Copper Plating, Electro-deposited.

(f) MIL-~~8~~ 83513, Connectors, Electrical, Rectangular, Microminiature, Polarised Shell, Generic Specification for.

DTL

3. **TERMS, DEFINITIONS, ABBREVIATIONS, SYMBOLS AND UNITS**

For the purpose of this specification, the terms, definitions, abbreviations, symbols and units specified in ESCC Basic Specification No. 21300 shall apply.

(c) A-A-59551, Wire, Electrical, Copper, Uninsulated

TABLE 1(a) - TYPE VARIANTS

VARIANT	SHELL SIZE Note 1, 2 5	MAX. WEIGHT (g) Note 3	MAX. MATING FORCE (N)	UNMATING FORCE (N)	
				MAX	MIN
01	9	4	20	20	1.3
02	15	5.5	33	33	2.1
03	21	7	47	47	2.9
04	25	8	55	55	3.5
05	31	9.5	69	69	4.3
06	37	10	82	82	5.1
07	51	13.5	113	113	7.1

NOTES

1. Contacts are fixed in the connector saver.
3. Connector saver with contacts and without screw-locks.
2. Shell Size 51 is not applicable to MDMA connectors.

TABLE 1(b) - MAXIMUM RATINGS

NO.	CHARACTERISTICS	SYMBOL	MAXIMUM RATING	UNIT	REMARKS
1	Working Voltage Sea Level	U_R	150	V _{rms}	Note 1
2	Rated Current: (uninsulated solid wire)	I_R	2.5	A	Note 2
3	Operating Temperature Range	T_{op}	- 55 to + 125	°C	
4	Storage Temperature Range	T_{stg}	- 55 to + 125	°C	

NOTES

1. Between contacts, and contact and shell.
2. I_R requires derating if the number of current-carrying contacts in the connector saver is 2 or greater. See Figure 1(b).

FIGURE 1 - PARAMETER DERATING INFORMATION

FIGURE 1(a) - WORKING VOLTAGE VERSUS ALTITUDE

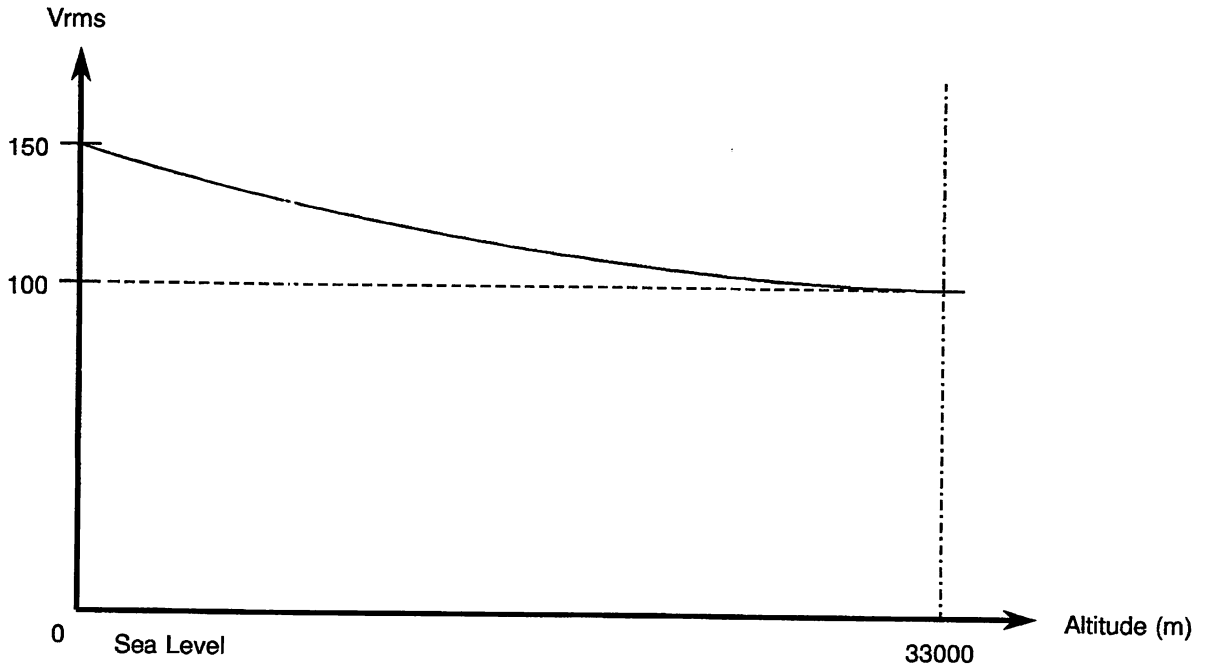
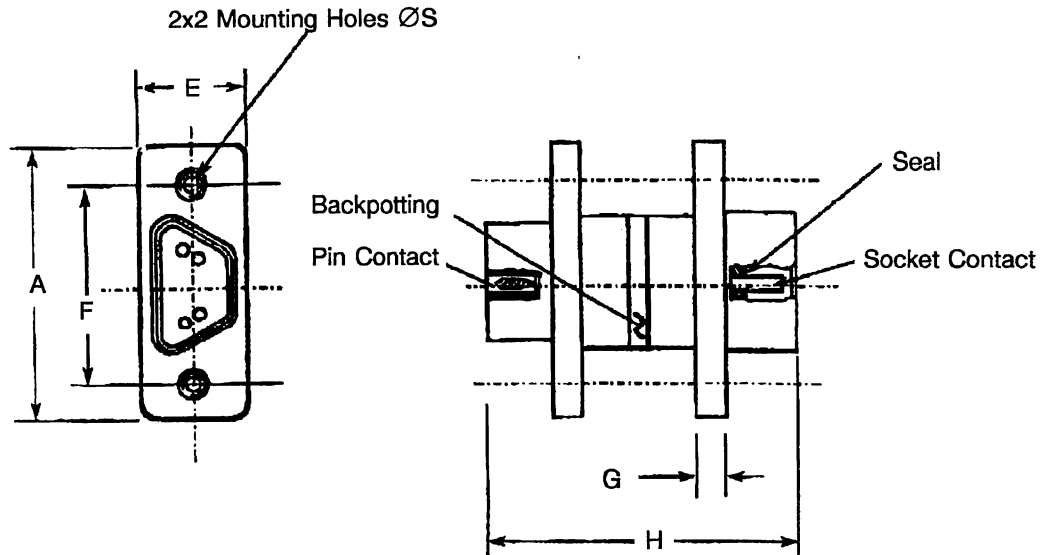


FIGURE 1(b) - MAXIMUM CURRENT VERSUS NUMBER OF CONTACTS

NUMBER OF CURRENT-CARRYING CONTACTS PER CONNECTOR SAVER	MAXIMUM CURRENT PER CONTACT (A)
	UNINSULATED SOLID WIRE
2 - 4	2.4
5 - 14	1.8
15 and over	1.4

FIGURE 2 - PHYSICAL DIMENSIONS

FIGURE 2.1 - CONNECTOR SAVER DIMENSIONS



VARIANT	SIZE	A	E	F	G	H	ØS	
		MAX	MAX	MAX	TYPICAL	TYPICAL	MIN	MAX
01	09RS	19.94	7.75	14.35	2.29	22.86	2.23	2.39
02	15RS	23.75	7.75	18.16	2.29	22.86	2.23	2.39
03	21RS	27.56	7.75	21.97	2.29	22.86	2.23	2.39
04	25RS	30.10	7.75	24.51	2.29	22.86	2.23	2.39
05	31RS	33.91	7.75	28.32	2.29	22.86	2.23	2.39
06	37RS	37.72	7.75	32.13	2.29	22.86	2.23	2.39
07	51RS	36.45	8.76	30.86	2.29	22.86	2.23	2.39

NOTES

1. All dimensions are in millimetres.

FIGURE 2 - PHYSICAL DIMENSIONS (CONTINUED)

FIGURE 2.2 - CONTACT POSITION

Figure 2.2.1 - Mounting Condition

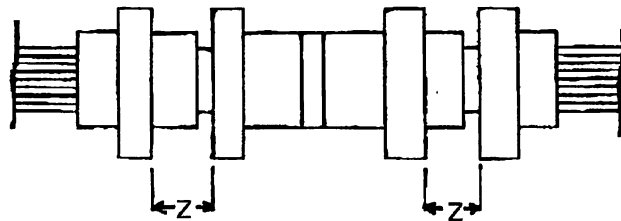


Figure 2.2.2 - Plug Male Contact

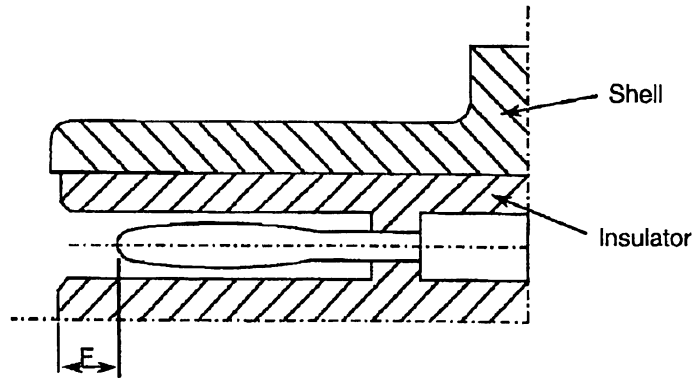
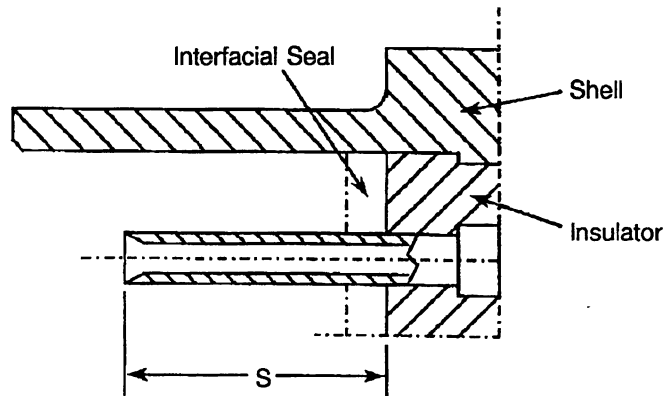


Figure 2.2.3 - Receptacle Female Contact



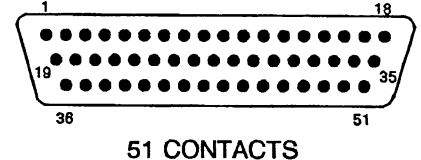
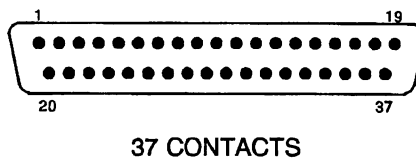
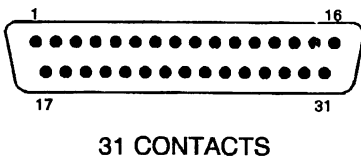
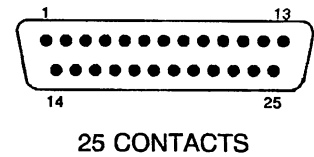
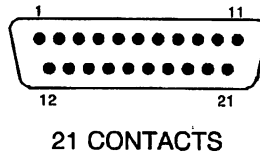
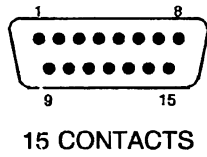
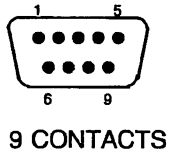
F		S		Z
MIN	MAX	MIN	MAX	MAX
0.25	0.91	3.3	3.66	5.49

NOTES

1. All dimensions are in millimetres.

FIGURE 3 - CONTACT ARRANGEMENTS

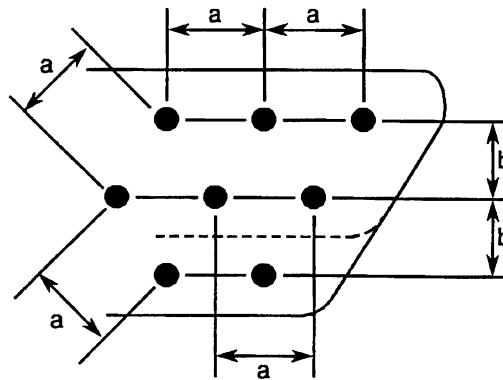
FRONT VIEW OF MALE INSERT - USE MIRROR VIEW FOR FEMALE INSERT



NOTES

1. Only the outside contact cavities on each row are identified in the drawing, the remainder follow sequentially. Contact numbers are shown outside the insert for readability.

Contact Centres



NOTES

1. a = Distance between contact centres: 1.27mm typical.
2. b = Distance between rows: 1.09mm typical.



4. REQUIREMENTS

4.1 GENERAL

The complete requirements for procurement of the connector savers specified herein are stated in this specification and ESCC Generic Specification No. 3401. Deviations from the Generic Specification, applicable to this specification only, are listed in Para. 4.2.

Deviations from the applicable Generic Specification and this Detail Specification, formally agreed with specific Manufacturers on the basis that the alternative requirements are equivalent to the ESCC requirements and do not affect the components' reliability, are listed in the appendices attached to this specification.

4.2 DEVIATIONS FROM GENERIC SPECIFICATION

4.2.1 Deviations from Special In-process Controls

Para. 9.15, Joint Strength: The contacts shall be crimped to uninsulated solid wire AWG25. The value of failure shall be recorded together with the information as to whether the failure was "pull-out", "break in crimp" or "break in wire". The minimum tensile strength shall be as follows:

WIRE	MALE AND FEMALE CONTACTS
	AWG25 - Solid Uninsulated
Tensile Strength (N)	22

4.2.2 Deviations from Final Production Tests (Chart II)

- (a) Para. 9.3, Contact Retainer Test: Not applicable.
- (b) Para. 9.4, Contact Capability: This test shall be performed on the male contacts. For details see Para. 4.3.3 of this specification.
- (c) Para. 9.5, Magnetism Level: Not applicable.

4.2.3 Deviations from Burn-in and Electrical Measurements (Chart III)

None.

4.2.4 Deviations from Qualification Tests (Chart IV)

- (a) Para. 9.9, Seal Test: Not applicable.
- (b) Para. 9.15, Joint Strength: Not applicable.
- (c) Para. 9.17, Contact Retention (In insert): Not applicable with male contact.
- (d) Para. 9.27, Maintenance Ageing: Not applicable.
- (e) Para. 9.29, Oversize Pin Exclusion: Not applicable.
- (f) Para. 9.30, Probe Damage: Not applicable.

4.2.5 Deviations from Lot Acceptance Tests (Chart V)

- (a) Para. 9.9, Seal Test: Not applicable.
- (b) Para. 9.15, Joint Strength: Not applicable.
- (c) Para. 9.17, Contact Retention (In insert): Not applicable with male contact.
- (d) Para. 9.27, Maintenance Ageing: Not applicable.
- (e) Para. 9.29, Oversize Pin Exclusion: Not applicable.
- (f) Para. 9.30, Probe Damage: Not applicable.

4.3 MECHANICAL REQUIREMENTS

4.3.1 Dimension Check

The dimensions of the connector savers specified herein shall be verified in accordance with the requirements set out in Para. 9.6 of ESCC Generic Specification No. 3401 and shall conform to those shown in Figure 2 of this specification. Only the underlined dimensions shall be checked during procurement.

4.3.2 Weight

The maximum weight of the connector savers specified herein shall be as specified in Table 1(a).

4.3.3 Contact Capability

For the purpose of this test, the pick-up and drop weights shall be as follows.

MEASUREMENTS	PICK-UP WEIGHT	DROP WEIGHT
Weight (g)	14	170
Inner Gauge Diameter (mm) (1)	0.582 - 0.587	0.559 - 0.564
Insertion Depth (mm)	1.5	1.5

NOTES

1. See Figure 4 for ØA.

4.3.4 Contact Retention (In insert)

Contact retention within the insert shall be 22.25 Newtons. There shall be no displacement of the contact. Not applicable to male contacts.

4.3.5 Mating and Unmating Forces

The forces applied for the engagement and separation of the connector savers shall conform to the values specified in Table 1(a).

4.3.6 Insert Retention (In shell)

Connector saver inserts shall withstand a pressure of 34.4N/cm² applied from the mating side to the rear side.

4.3.7 Jackscrew Retention

Not applicable.


4.3.8 Contact Insertion and Withdrawal Forces

Not applicable.

4.3.9 Engagement and Separation Forces (Male Contacts)

The contact engagement and separation forces of the male contacts shall be tested to a depth of 1.5mm with the applicable test gauge fixtures specified in Figure 4 of this specification, and shall not exceed the values of the table hereunder.

MEASUREMENTS	INNER DIAMETER (mm)		SEPARATION FORCE Min. (N)	ENGAGEMENT FORCE Max. (N)
	Min.	Max.		
Max. Gauge Fixture	0.559	0.564	-	1.667
Min. Gauge Fixture	0.582	0.587	0.137	-

	<p style="text-align: center;">ESCC Detail Specification No. 3401/041</p>	<p>PAGE 13 ISSUE 3 Draft A</p>
-----------------------------------------------------------------------------------	-------------------------------------------------------------------------------	----------------------------------------

4.3.10 Oversize Pin Exclusion

Not applicable.

4.3.11 Probe Damage

Not applicable.

4.3.12 Solderability

Not applicable.

4.4 MATERIALS AND FINISHES

The materials and finishes shall be as specified herein. Where a definite material is not specified, a material which will enable the connector savers specified herein to meet the performance requirements of this specification shall be used. Acceptance or approval of any constituent material does not guarantee acceptance of the finished product.

4.4.1 Shells

Shells shall be made of aluminium alloy plated with a minimum thickness of 25.4µm of electroless nickel.

4.4.2 Inserts

Inserts shall be made of glass fibre-filled diallylphthalate resin or suitable thermoplastic material.

4.4.3 Contacts

4.4.3.1 Female Contacts

The contact body shall be made of copper alloy with an underplate of 1.0µm minimum of copper to MIL-C-14550, gold plated with 1.27µm minimum of gold, Type 2, Grade C of MIL-~~S~~-45204. Measurement of thickness shall be performed at a distance of 1.5mm from the engagement end.

DTL

4.4.3.2 Male Contacts

The contact body and the bundle shall be made of copper alloy with an underplate of 1.0µm minimum of copper to MIL-C-14550, gold plated with 1.27µm minimum of gold, Type 2, Grade C of MIL-~~S~~-45204. Measurement of thickness shall be performed at a distance of 1.5mm from the engagement end.

DTL

4.4.4 Seals Interfacial

Interfacial seals shall be made of silicon base rubber.

4.4.5 Uninsulated Solid Wire

A-A-59551 ~~QCW-046~~ Uninsulated solid wires shall be made of copper alloy in accordance with Type 'S' as specified in ~~QCW-046~~ MIL-~~S~~-45204. They shall be gold-plated in accordance with Class ØØ, Grade C or D, as specified in MIL-~~S~~-45204.

DTL

4.4.6 Potting

Potting shall be made of epoxy resin.



4.5 MARKING

4.5.1 General

The marking of all components delivered to this specification shall be in accordance with the requirements of ESCC Basic Specification No. 21700 and the following paragraphs.

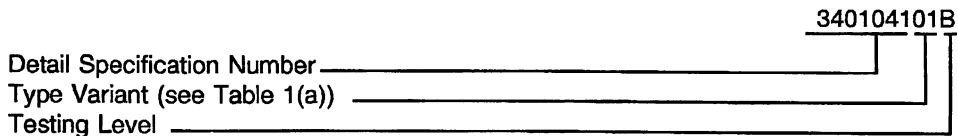
When the component is too small to accommodate all of the marking specified, as much as space permits shall be marked and the marking information, in full, shall accompany the component in its primary package.

The information to be marked and the order of precedence shall be as follows:-

- (a) The ESCC Component Number.
- (b) Characteristics.
- (c) Traceability Information.

4.5.2 The ESCC Component Number

Each component shall bear the ESCC Component Number which shall be constituted and marked as follows:-

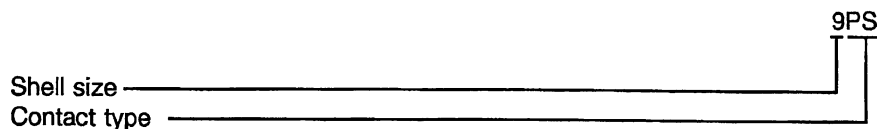


4.5.3 Characteristics

The characteristics to be marked in the following order of precedence are:-

- (a) Shell Size.
- (b) Contact Type.

The information shall be constituted and marked as follows:-



4.5.3.1 Shell Size

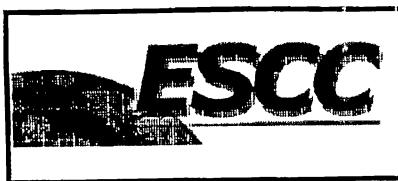
Shell size shall be designated by the number of contacts.

Specified numbers are: 9, 15, 21, 25, 31, 37 and 51.

4.5.3.2 Contact Type

Contact types shall be indicated by the following code letters.

Code Letter	Contact Type
PS	Male/Female

	<p style="text-align: center;">ESCC Detail Specification No. 3401/041</p>	<p>PAGE 15 ISSUE 23 Draft A</p>
-----------------------------------------------------------------------------------	-------------------------------------------------------------------------------	-----------------------------------------

4.5.4 Traceability Information

Traceability information shall be marked in accordance with the requirements of ESCC Basic Specification No. 21700.

4.6 ELECTRICAL MEASUREMENTS

4.6.1 Electrical Measurements at Room Temperature

The parameters to be measured in respect of electrical characteristics are scheduled in Table 2. Unless otherwise specified, the measurements shall be performed at $T_{amb} = +22 \pm 3 \text{ }^\circ\text{C}$.

4.6.2 Electrical Measurements at High and Low Temperatures

Not applicable.

4.6.3 Circuits for Electrical Measurements

Not applicable.

4.7 BURN-IN AND ELECTRICAL MEASUREMENTS (TABLES 4 AND 5)

Not applicable.



TABLE 2 - ELECTRICAL MEASUREMENTS AT ROOM TEMPERATURE

No.	Characteristic	Symbol	ESCC 3401 Test Method	Test Condition	Limits		Unit
					Min.	Max.	
1	Insulation Resistance	Ri	Para. 9.1.1.1	Para. 9.1.1.1	5000	-	MΩ
2	Voltage Proof Leakage Current	I _L	Para. 9.1.1.2	600 Vrms	-	2	mA
3	Mated Shell Conductivity (Voltage Drop) (1)	Vd	Para. 9.1.1.4	Para. 9.1.1.4	Not applicable		mV
4	Contact Resistance (Low Level Current)	Rcl max.	Para. 9.1.1.3	Para. 9.1.1.3	-	12	mΩ
5	Contact Resistance (Rated Current)	Rcr max.	Para. 9.1.1.3	Table 1(b)	-	10	mΩ

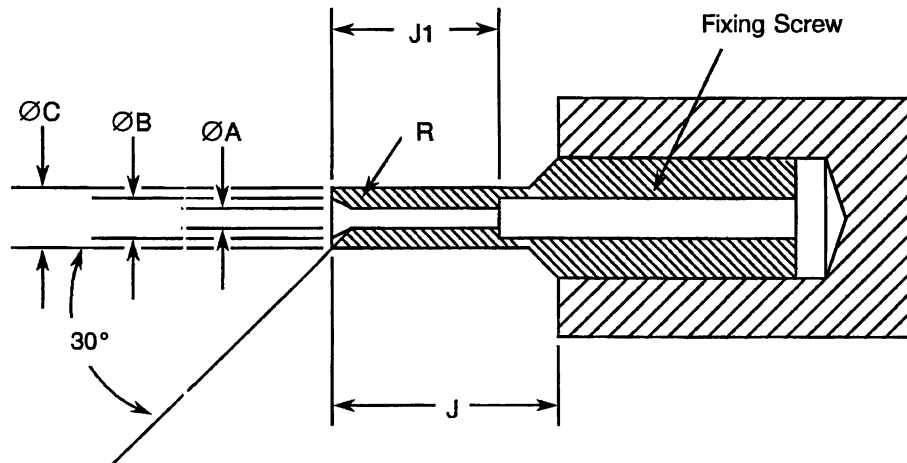
NOTES

1. Applicable to mated connector savers with grounding option.

TABLES 3, 4 AND 5

Not applicable

FIGURE 4 - GAUGE FIXTURE



MAXIMUM GAUGE

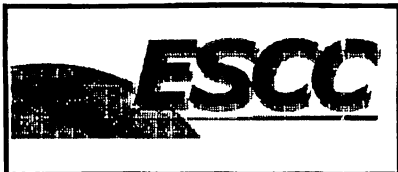
	WEIGHT (g) 170		REMARKS
	MIN.	MAX.	
ØA	0.559	0.564	-
ØB	0.749	0.775	-
ØC	0.813	0.825	-
J	4.0	-	-
J1	3.13	3.23	-
R	0.381	0.483	Note 1

MINIMUM GAUGE

	WEIGHT (g) 14		REMARKS
	MIN.	MAX.	
ØA	0.582	0.587	-
ØB	0.749	0.775	-
ØC	0.813	0.825	-
J	4.0	-	-
J1	3.13	3.23	-
R	0.381	0.483	Note 1

NOTES

1. Radius 'R', must be tangent to entry chamfer and ØA.
2. ØA and entry chamfer must be polished to $\frac{NB}{\sqrt{}}$.

	<p style="text-align: center;">ESCC Detail Specification No. 3401/041</p>	<p>PAGE 18 ISSUE 3 Draft A</p>
-----------------------------------------------------------------------------------	-------------------------------------------------------------------------------	----------------------------------------

4.8 ENVIRONMENTAL AND ENDURANCE TESTS (CHARTS IV AND V OF ESCC GENERIC SPECIFICATION NO. 3401)

4.8.1 Measurements and Inspections on Completion of Environmental Tests

The parameters to be measured and inspections to be performed on completion of environmental testing shall be those specified in Table 6. Unless otherwise specified, these measurements shall be performed at $T_{amb} = +22 \pm 3 \text{ }^\circ\text{C}$.

4.8.2 Measurements and Inspections at Intermediate Points during Endurance Tests

Not applicable.

4.8.3 Measurement and Inspections on Completion of Endurance Tests

The parameters to be measured and inspections to be performed on completion of endurance testing shall be those specified in Table 6. Unless otherwise specified, these measurements shall be performed at $T_{amb} = +22 \pm 3 \text{ }^\circ\text{C}$.

4.8.4 Conditions for Operating Life Test (Part of Endurance Testing)

Not applicable.

4.8.5 Electrical Circuit for Operating Life Test

Not applicable.

4.8.6 Conditions for High Temperature Storage Test (Part of Endurance Testing)

The requirements for the high temperature storage test are specified in Section 9 of ESCC Generic Specification No. 3401. The temperature to be applied shall be the maximum storage temperature specified in Table 1(b) of this specification.

