



DOCUMENT CHANGE REQUEST

DCR number	426	Changes required for:	General	Originator:	Steve Thacker - ESCC
Date:	2008/07/28	Date sent:	2008/07/28	Organisation:	ESA/ESTEC
Status:	IMPLEMENTED				

Title: Connector Savers Electrical Rectangular Miniature Removable Contacts, based on type D*BMA

Number: 3401/020 Issue: 4

Other documents affected:

Page:

see below & attached

Paragraph:

see below & attached

Original wording:

Proposed wording:

The following amendments were identified by Manufacturer C&K:

- 1 - Correct spelling of "Removable" in spec title.
- 2 - Applicable Document number MIL-C-24308 (which is obsolete) in para 2 & Figure 2(b) Note 1 amended to be MIL-DTL-24308.
- 3 - Figure 2(a) amend figure and dimension limits (B, D, G, H, J, K) as shown in the attachment.

Justification:

Corrections of editorial errors plus changes as identified by Manufacturer C&K

The changes make the dimensions in 3401/020 Figure 2(a) consistent with 3401/001 and 3401/002 which use the same shells.

Attachments:

DCR426att.pdf, null

Modifications:

Manufacturer C&K confirms the following amendments/additions to DCR426:

"Notes 1 & 4" do apply to Dimension D in Figure 2(a) drawing.

Delete in the Figure 2(a) Table the line between min & max for size F.

Approval signature:

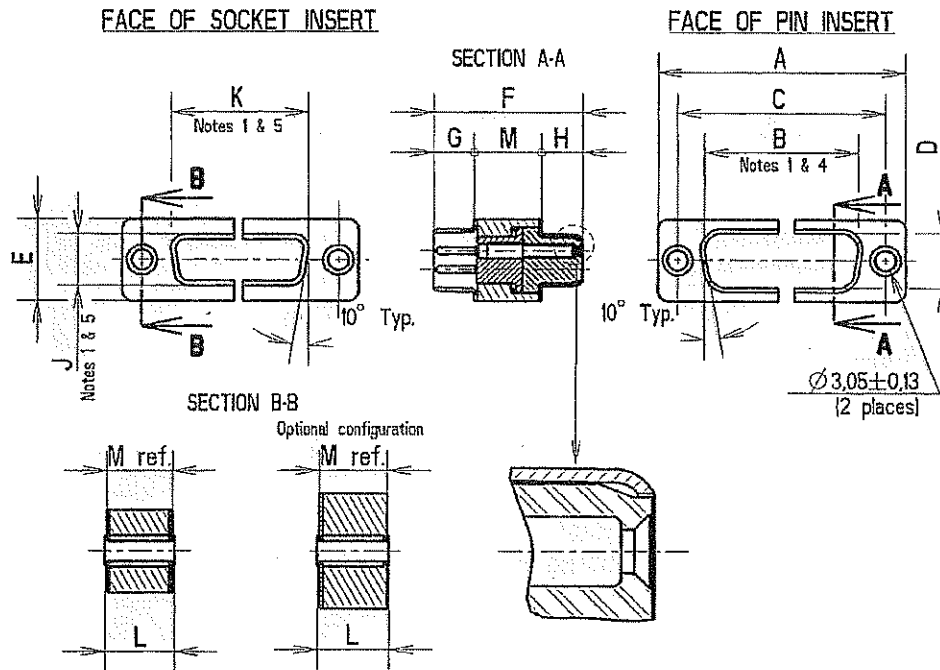


Date signed:

2008-07-28



FIGURE 2 – PHYSICAL DIMENSIONS
FIGURE 2 (a) - CONNECTOR SAVERS



NOTES

1. Dimensions B, D, J and K pertain to front and rear shell keystone and are taken at bottom of draw.
2. All dimensions are in millimetres (angles in degrees)
3. Underlined dimensions, in Table, are critical to ensure mateability.
4. Inside dimension for male side.
5. Outside dimension for female side.

Shell Size	Dimensions	A	B	C	D	E	F	G	H	J	K	L	M
E	Min.	30.43	16.79	24.87	8.23	12.17	21.62	5.82	6.05	7.77	16.21	10.21	9.61
	Max.	31.19	17.04	25.12	8.48	12.93	22.12	6.05	6.30	8.03	16.46	10.97	10.11
A	Min.	38.76	25.12	33.20	8.23	12.17	21.62	5.82	6.05	7.77	24.64	10.21	9.61
	Max.	39.52	25.37	33.45	8.48	12.93	22.12	6.05	6.30	8.03	24.79	10.97	10.11
B	Min.	52.65	38.84	46.91	8.23	12.17	21.72	5.69	6.05	7.77	38.25	10.21	9.61
	Max.	53.42	39.09	47.17	8.48	12.93	22.22	5.99	6.30	8.03	38.51	10.97	10.11
C	Min.	68.94	55.30	63.37	8.23	12.17	21.72	5.69	6.05	7.77	54.71	10.21	9.61
	Max.	69.70	55.55	63.63	8.48	12.93	22.22	5.99	6.30	8.03	54.97	10.97	10.11
D	Min.	66.55	52.68	60.99	11.07	14.98	21.72	5.69	6.05	10.62	52.30	10.21	9.61
	Max.	67.31	52.93	61.24	11.33	15.75	22.22	5.99	6.30	10.87	52.55	10.97	10.11
F	Min.	68.94	56.06	63.37	12.65	16.92	21.72	5.69	6.05	12.19	55.47	10.21	9.61
	Max.	69.70	56.31	63.63	12.90	17.68	22.22	5.99	6.30	12.45	55.73	10.97	10.11