



DOCUMENT CHANGE REQUEST

DCR number	408	Changes required for:	N/A	Originator:	Alain BLANCHARD
Date:	2008/06/03	Date sent:	2008/06/03	Organisation:	CNES
Status:	IMPLEMENTED				

Title: RF Coaxial Connectors Type SMA 50 Ohms (Female Contact)

Number: 3402/002 Issue: 1

Other documents affected:

Page:

Addition of a new variant of connectors

Paragraph:

Addition of a new variant of connectors

Original wording:

Proposed wording:

Only addition of a variant

Justification:

qualification of a new variant of connector

This type of connector was assembled by Radiall and submitted to a LAT1 test on 162 connectors

Attachments:

Demande_ajout_variante_ESCC3402-00249.pdf, null

Modifications:

New variant also added to Table 1(a)

Approval signature:

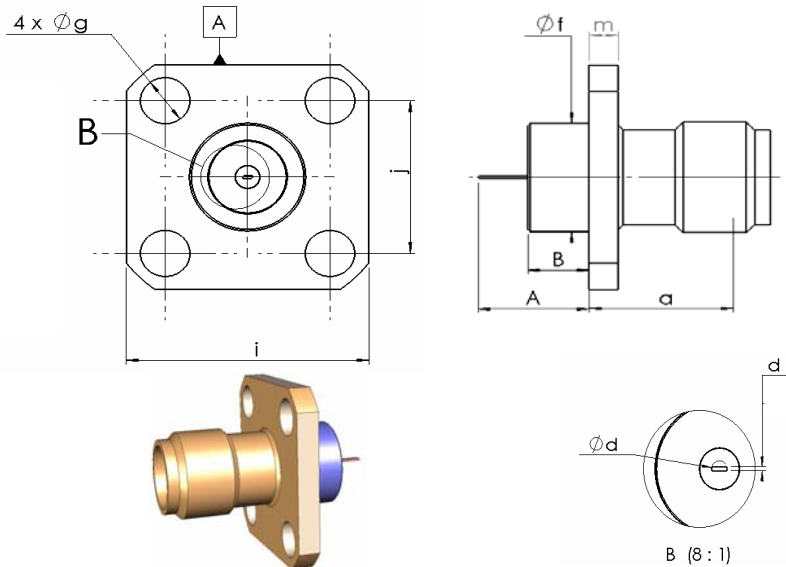
A handwritten signature in black ink, appearing to read "R. S. Fleury".

Date signed:

2008-06-03

Figure 2(b) – VARIANTS (CONTINUED)

Variant XX – Square Flange Receptacle Tab Contact, Low RF Leakage



SYMBOL	MILLIMETRES		NOTES
	MIN.	MAX.	
a	7.50	7.70	
A	5.70	5.90	
B	3.13	3.32	
d	0.11	0.15	Tab thickness
Ød	0.45	0.55	
Øf	6.05	6.15	
Øg	2.55	2.70	4 holes
i	12.60	12.80	
j	8.59	8.69	
m	1.40	1.80	

ELECTRICAL CHARACTERISTICS	VALUES	UNITS
Frequency range	0 to 18	GHz
Maximum voltage standing wave ration (VSWR) ⁽¹⁾	$1.10 + 0.001 \times F$ (GHz)	-
Maximum voltage standing wave ration (VSWR) ^{(1) (2)}	$1.05 + 0.005 \times F$ (GHz)	-
Maximum insertion loss ⁽¹⁾	$0.05 \times \sqrt{F}$ (GHz)	dB
Maximum insertion loss ^{(1) (2)}	$0.03 \times \sqrt{F}$ (GHz)	dB
RF leakage ⁽¹⁾	- [120 – F (GHz)]	dB
Voltage proof	1000	Vrms
Corona level	Not Applicable	Vrms

Notes:

- ⁽¹⁾ : For information only
- ⁽²⁾ : Between 0 to 5GHz only.

MECHANICAL CHARACTERISTICS	VALUES	UNITS
Mini centre contact retention force (axial)	27	N
Mini centre contact retention torque	2.8	N.cm
Mini cable retention force	Not Applicable	N
Mini cable retention torque value	Not Applicable	N.cm
Maximum weigh	3.5	g

OTHER CHARACTERISTICS	VALUES	UNITS
Rapid change of temperature (peak)	+115	°C
Operating temperature range	-65 to +105	°C
Maxi leakage (panel sealed connectors)	Not Applicable	-
Maxi leakage (hermetic sealed connector)	Not Applicable	-
Solderability	On centre contact only	-
Soldering proof	Applicable	-
Cable used	Not Applicable	-