



## DOCUMENT CHANGE REQUEST

DCR number 169 Changes required for: General

Date: 2005/04/14

Date sent: 2005/04/14

Originator: S Thacker

Organisation: ESA/ESTEC

Status: IMPLEMENTED

Title: Capacitors Fixed Ceramic Dielectric Type I High Voltage 1.0 to 5.0kV, based on case styles VR,CV &

Number: 3001/033

Issue:

1

Other documents affected:

Page:

Page 8, Figure 2(a) VR Style Dimensions

Paragraph:

Page 8, Figure 2(a) VR Style Dimensions

Original wording:

Proposed wording:

See attached mark-up)

Figure 2(a) - VR style dimensions to be amended as follows:

Variant 01, 02, 03 dimension "Dia d" to be 0.46mm min; 0.56mm max (was 0.51/0.61)

Variant 02 dimension "H" to be 9.62mm max (was 7.62)

Variant 06 dimension "H" to be 19.78mm max (was 17.78)

Justification:

Correction of typographic errors.

Specs are now consistent with ESCC 3001/030 & 3001/034 per DCR131 for similar types.

Attachments:

DCR\_Attachment\_3001033.pdf, null

Modifications:



N/A

Approval signature:



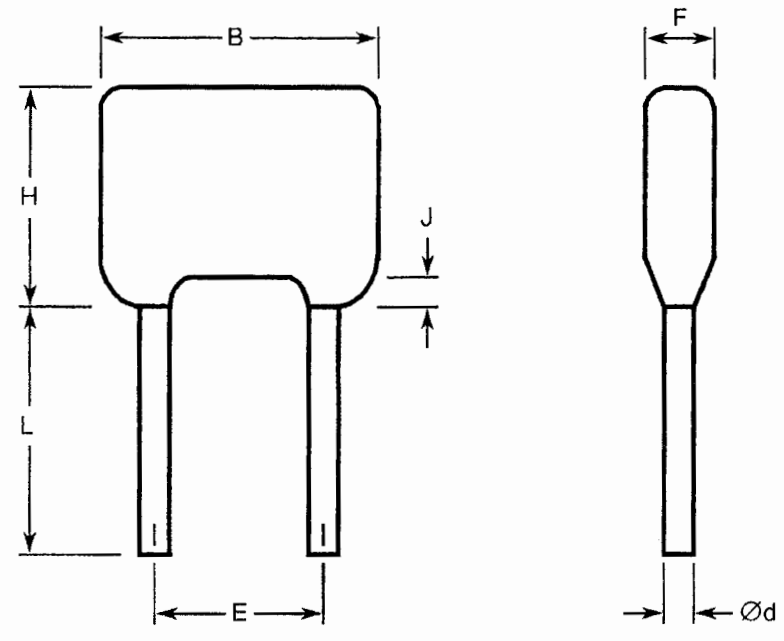
Date signed:

2005-04-14

		ESA/SCC Detail Specification No. 3001/033	PAGE 8
			ISSUE 1

**FIGURE 2 - PHYSICAL DIMENSIONS**

FIGURE 2(a) - VR STYLE



Variant	Case Size	Dimensions (mm)								
		B	Ød		E		F	H	J	L
		(max)	(min)	(max)	(min)	(max)	(max)	(max)	(max)	(min)
01	VR30S	7.62	<del>0.51</del>	<del>0.81</del>	4.58	5.58	5.00	4.60	1.50	31.70
02	VR30	7.62	<del>0.51</del>	<del>0.81</del>	4.58	5.58	5.00	<del>7.82</del>	1.50	31.70
03	VR40	10.16	<del>0.51</del>	<del>0.81</del>	4.58	5.58	5.00	11.70	1.50	31.70
04	VR50	12.70	0.59	0.69	9.66	10.66	5.10	14.20	1.50	31.70
05	VR66	17.50	0.86	0.96	14.20	15.20	6.40	16.50	1.50	31.70
06	VR84	23.62	0.86	0.96	20.40	22.00	6.40	<del>17.78</del>	1.50	31.70
07	VR90	23.50	0.86	0.96	20.40	22.00	6.40	<del>42.00</del>	1.50	31.70

0.46 0.56

9.62

19.78