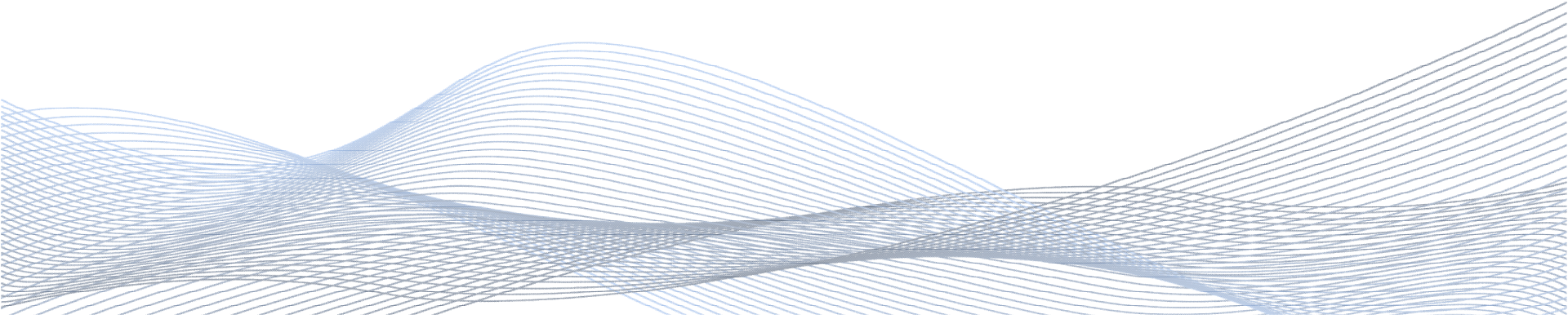


Modification Spec details

ESCC5711/002 issue04



After checking the [ESCC5711_002_Dec2018-iss4_CapaMOS](#) we noticed since iss03, there is an error of dimensions (we think a mistake of copy/paste) p11 and 12. The iss 002 is compliant

P11 : dimensions A and D are not ok on issue 003and 004, ok issue 002

P12 : dimensions: A,D, F is not ok on issue 003 and 004, ok issue 002

See below more details

Modules & Systems Activity

Summary

Variantes	page	Issue 4 (à corriger)	Issue 2 (modèle)																																																																														
30	11	<p>ESCC Detail Specification No. 5711/002</p> <p>PAGE 11 ISSUE 4</p> <p>1.7.5 Variant 30</p> <table border="1"> <thead> <tr> <th rowspan="2">Symbols</th> <th colspan="2">Dimensions mm</th> <th rowspan="2">Notes</th> </tr> <tr> <th>Min</th> <th>Max</th> </tr> </thead> <tbody> <tr> <td>A</td> <td>0.4</td> <td>0.5</td> <td></td> </tr> <tr> <td>D</td> <td>0.06</td> <td>0.08</td> <td>1</td> </tr> <tr> <td>E</td> <td>0.16</td> <td>0.22</td> <td></td> </tr> <tr> <td>F</td> <td>0.26</td> <td>0.28</td> <td>1</td> </tr> </tbody> </table> <p><i>not</i></p> <p>NOTES: 1. Dimension of the smallest bond pad area, specified for bonding purposes.</p>	Symbols	Dimensions mm		Notes	Min	Max	A	0.4	0.5		D	0.06	0.08	1	E	0.16	0.22		F	0.26	0.28	1	<p>ESCC Detail Specification No. 5711/002</p> <p>PAGE 11 ISSUE 2</p> <p>FIGURE 2(e) - Variant 30</p> <table border="1"> <thead> <tr> <th rowspan="3">Variant</th> <th colspan="8">Dimensions (mm) Note 1</th> </tr> <tr> <th colspan="2">A</th> <th colspan="2">D</th> <th colspan="2">E</th> <th colspan="2">F</th> </tr> <tr> <th>Min</th> <th>Max</th> <th>Min</th> <th>Max</th> <th>Min</th> <th>Max</th> <th>Min</th> <th>Max</th> </tr> </thead> <tbody> <tr> <td>30</td> <td>0.65</td> <td>0.75</td> <td>0.17</td> <td>0.19</td> <td>0.16</td> <td>0.22</td> <td>0.26</td> <td>0.28</td> </tr> </tbody> </table> <p><i>OK</i></p> <p>OU</p> <table border="1"> <thead> <tr> <th rowspan="2">Symbols</th> <th colspan="2">Dimensions mm</th> <th rowspan="2">Notes</th> </tr> <tr> <th>Min</th> <th>Max</th> </tr> </thead> <tbody> <tr> <td>A</td> <td>0.65</td> <td>0.75</td> <td></td> </tr> <tr> <td>D</td> <td>0.17</td> <td>0.19</td> <td>1</td> </tr> <tr> <td>E</td> <td>0.16</td> <td>0.22</td> <td></td> </tr> <tr> <td>F</td> <td>0.26</td> <td>0.28</td> <td>1</td> </tr> </tbody> </table> <p>NOTES: 1. Dimensions D and F are given to specify the smallest pad area for bonding purposes.</p>	Variant	Dimensions (mm) Note 1								A		D		E		F		Min	Max	Min	Max	Min	Max	Min	Max	30	0.65	0.75	0.17	0.19	0.16	0.22	0.26	0.28	Symbols	Dimensions mm		Notes	Min	Max	A	0.65	0.75		D	0.17	0.19	1	E	0.16	0.22		F	0.26	0.28	1
Symbols	Dimensions mm			Notes																																																																													
	Min	Max																																																																															
A	0.4	0.5																																																																															
D	0.06	0.08	1																																																																														
E	0.16	0.22																																																																															
F	0.26	0.28	1																																																																														
Variant	Dimensions (mm) Note 1																																																																																
	A		D		E		F																																																																										
	Min	Max	Min	Max	Min	Max	Min	Max																																																																									
30	0.65	0.75	0.17	0.19	0.16	0.22	0.26	0.28																																																																									
Symbols	Dimensions mm		Notes																																																																														
	Min	Max																																																																															
A	0.65	0.75																																																																															
D	0.17	0.19	1																																																																														
E	0.16	0.22																																																																															
F	0.26	0.28	1																																																																														
<p>P/N ESA : 571100230100KB (P/N Exens : 400M113J100K)</p> <p>P/N ESA : 571100230100MB (P/N Exens : 400M113J100M)</p>																																																																																	

Modules & Systems Activity

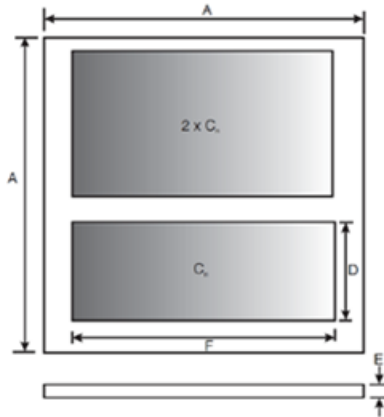
Summary



ESCC Detail Specification
No. 5711/002

PAGE 12
ISSUE 4

1.7.6 Variant 31



Symbols	Dimensions mm		Notes
	Min	Max	
A	0.4	0.5	
D	0.06	0.08	1
E	0.16	0.22	
F	0.26	0.28	1

NOTES:

1. Dimension of the smallest bond pad area, specified for bonding purposes.

Ndk

31

12

P/N ESA :
571100231100KB
(P/N Exens :
400M114J100K)

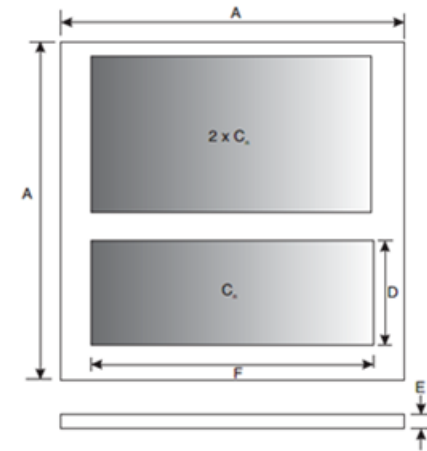
P/N ESA :
571100231100MB
(P/N Exens :
400M114J100M)



ESCC Detail Specification No. 5711/002

PAGE 12
ISSUE 2

FIGURE 2(f) - Variant 31



Variant	Dimensions (mm) Note 1							
	A		D		E		F	
	Min	Max	Min	Max	Min	Max	Min	Max
31	0.45	0.55	0.1	0.12	0.16	0.22	0.89	0.41

NOTES:

1. Dimension D and F are given to specify the smallest pad area for bonding purposes.

OK

OU

Symbols	Dimensions mm		Notes
	Min	Max	
A	0.45	0.55	
D	0.1	0.12	1
E	0.16	0.22	
F	0.89	0.41	1



Thank you for your attention

