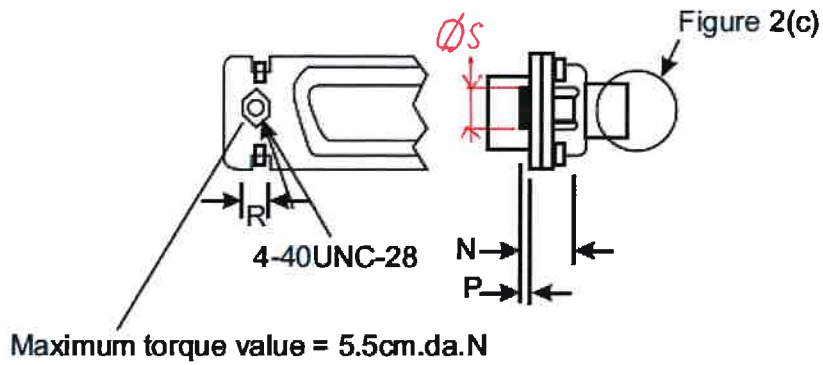


CAPTIVE NUT - TYPE 'E'
SHELL SIZES E, A, B, C, D AND F



Contact Type	Symbol/Dim.	N	P	R	ØS
Male and Female	min.	3.4	0	4.3	-
	max.	4.2	<u>0.4</u>	4.7	<u>5.2</u>

0.5

NOTES:

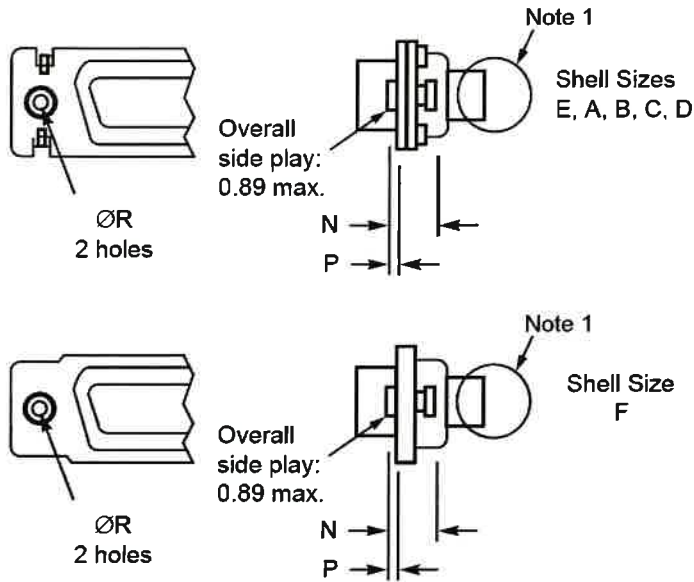
1. Inside dimension for connectors with male contacts.
2. Outside dimension for connectors with female contacts.
3. All dimensions are in millimetres (angles in degrees).
4. Underlined dimensions, in table, are critical to ensure intermateability.
5. Electrical contact position in female contact.

FIGURE 2(c) - RECEPTACLES AND PLUGS

OTHER MOUNTING TYPES

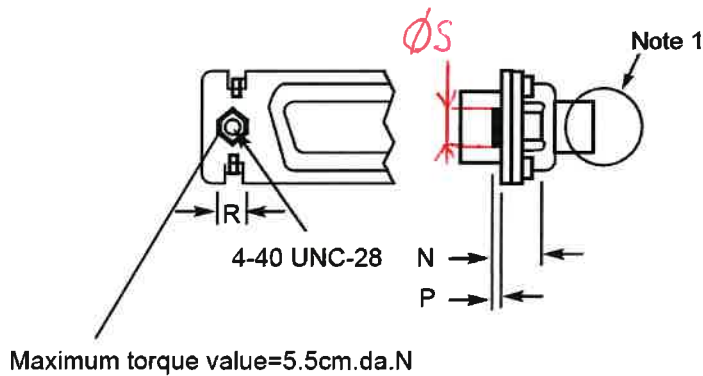
FLOATING MOUNT - TYPE 'Y'

SHELL SIZES E, A, B, C, D AND F



Contact Type	Symbol/ Dim.	N	P	ØR
Male	Min.	2.4	0.76	2.2
	Max.	3.3	0.86	2.3
Female	Min.	2.4	0.76	2.2
	Max.	3.3	0.86	2.3

CAPTIVE NUTS - TYPE 'E'
SHELL SIZES E, A, B, C, D AND F



Contact Type	Symbol/ Dim.	N	P	R	ØS
Male	Min.	3.4	0	4.3	-
	Max.	4.2	0.4	4.7	5.2
Female	Min.	3.4	0	4.3	-
	Max.	4.2	0.4	4.7	5.2

0.5

NOTES:

1. See Figure 2(a) for other dimensions.