



**INTEGRATED CIRCUITS, SILICON MONOLITHIC,  
CMOS HEX BUFFER/CONVERTER, INVERTING,  
BASED ON TYPE 4049uB**

**ESCC Detail Specification No. 9202/045**

**ISSUE 1  
October 2002**



	ESCC Detail Specification		PAGE ii ISSUE 1
---	---------------------------	--	--------------------

### **LEGAL DISCLAIMER AND COPYRIGHT**

European Space Agency, Copyright © 2002. All rights reserved.

The European Space Agency disclaims any liability or responsibility, to any person or entity, with respect to any loss or damage caused, or alleged to be caused, directly or indirectly by the use and application of this ESCC publication.

This publication, without the prior permission of the European Space Agency and provided that it is not used for a commercial purpose, may be:

- copied in whole in any medium without alteration or modification.
- copied in part, in any medium, provided that the ESCC document identification, comprising the ESCC symbol, document number and document issue, is removed.



**europaean space agency  
agence spatiale européenne**

Pages 1 to 43

**INTEGRATED CIRCUITS, SILICON MONOLITHIC,**



**CMOS HEX BUFFER/CONVERTER, INVERTING,**

**BASED ON TYPE 4049uB**

**ESA/SCC Detail Specification No. 9202/045**



**space components  
coordination group**

Issue/Rev.	Date	Approved by	
		SCCG Chairman	ESA Director General or his Deputy
Issue 3	April 2001		



**DOCUMENTATION CHANGE NOTICE**



Rev. Letter	Rev. Date	Reference	CHANGE Item	Approved DCR No.
		This Issue supersedes Issue 2 and incorporates all modifications defined in Revisions 'A', 'B' and 'C' to Issue 2 and the changes agreed in the following DCRs:-		
		Cover page		None
		DCN		None
		Para. 1.3	: New sentence added	221602
		Table 1(a)	: Variants 10 and 11 added	221565
		Table 1(b)	: No. 8, Maximum temperature amended	221602
		Figure 2(a)	: Side elevation corrected	221565
			: Dimension 'C' amended	221565
		Figure 2(c)	: In the drawing, Pin No. 20 location corrected	221550
		Figure 2(e)	: New page added	221565
		Notes to Figures	: Title amended	221565
		Figure 3(a)	: Left-hand Title amended	221565
			: "SO" added to comparison Titles	221565
		Para. 4.3.2	: SO package added to text	221565
		Para. 4.4.2	: SO package added to text	221565
		Para. 4.5.2	: SO package added to text	221565
		Para. 4.8.6	: Last sentence deleted, new text added	221602
		Appendix 'A'	: Appendix added	221602

**TABLE OF CONTENTS**

		<u>Page</u>
<b>1.</b>	<b><u>GENERAL</u></b>	<b><u>5</u></b>
1.1	Scope	5
1.2	Component Type Variants	5
1.3	Maximum Ratings	5
1.4	Parameter Derating Information	5
1.5	Physical Dimensions	5
1.6	Pin Assignment	5
1.7	Truth Table	5
1.8	Circuit Schematic	5
1.9	Functional Diagram	5
1.10	Handling Precautions	5
1.11	Input Protection Network	5
<b>2.</b>	<b><u>APPLICABLE DOCUMENTS</u></b>	<b>15</b>
<b>3.</b>	<b><u>TERMS, DEFINITIONS, ABBREVIATIONS, SYMBOLS AND UNITS</u></b>	<b>15</b>
<b>4.</b>	<b><u>REQUIREMENTS</u></b>	<b>15</b>
4.1	General	15
4.2	Deviations from Generic Specification	15
4.2.1	Deviations from Special In-process Controls	15
4.2.2	Deviations from Final Production Tests	15
4.2.3	Deviations from Burn-in Tests	15
4.2.4	Deviations from Qualification Tests	15
4.2.5	Deviations from Lot Acceptance Tests	16
4.3	Mechanical Requirements	16
4.3.1	Dimension Check	16
4.3.2	Weight	16
4.4	Materials and Finishes	16
4.4.1	Case	16
4.4.2	Lead Material and Finish	16
4.5	Marking	16
4.5.1	General	16
4.5.2	Lead Identification	16
4.5.3	The SCC Component Number	17
4.5.4	Traceability Information	17
4.6	Electrical Measurements	17
4.6.1	Electrical Measurements at Room Temperature	17
4.6.2	Electrical Measurements at High and Low Temperatures	17
4.6.3	Circuits for Electrical Measurements	17
4.7	Burn-in Tests	17
4.7.1	Parameter Drift Values	17
4.7.2	Conditions for H.T.R.B. and Burn-in	17
4.7.3	Electrical Circuits for H.T.R.B. and Burn-in	17
4.8	Environmental and Endurance Tests	41
4.8.1	Electrical Measurements on Completion of Environmental Tests	41
4.8.2	Electrical Measurements at Intermediate Points during Endurance Tests	41
4.8.3	Electrical Measurements on Completion of Endurance Tests	41
4.8.4	Conditions for Operating Life Test	41
4.8.5	Electrical Circuits for Operating Life Tests	41
4.8.6	Conditions for High Temperature Storage Test	41

<b><u>TABLES</u></b>	<u>Page</u>
1(a) Type Variants	6
1(b) Maximum Ratings	6
2 Electrical Measurements at Room Temperature, d.c. Parameters	18
Electrical Measurements at Room Temperature, a.c. Parameters	21
3(a) Electrical Measurements at High Temperature	23
3(b) Electrical Measurements at Low Temperature	26
4 Parameter Drift Values	36
5(a) Conditions for Burn-in High Temperature Reverse Bias, N-Channels	37
5(b) Conditions for Burn-in High Temperature Reverse Bias, P-Channels	37
5(c) Conditions for Burn-in Dynamic	38
6 Electrical Measurements on Completion of Environmental Tests and at Intermediate Points and on Completion of Endurance Testing.	42

<b><u>FIGURES</u></b>	
1 Not applicable	
2 Physical Dimensions	7
3(a) Pin Assignment	13
3(b) Truth Table	13
3(c) Circuit Schematic	14
3(d) Functional Diagram	14
3(e) Input Protection Network	14
4 Circuits for Electrical Measurements	29
5(a) Electrical Circuit for Burn-in High Temperature Reverse Bias, N-Channels	39
5(b) Electrical Circuit for Burn-in High Temperature Reverse Bias, P-Channels	39
5(c) Electrical Circuit for Burn-in Dynamic	40
 <b><u>APPENDICES (Applicable to specific Manufacturers only)</u></b>	
'A' Agreed Deviations for STMicroelectronics (F)	43

		<p style="text-align: center;">ESA/SCC Detail Specification No. 9202/045</p>		<p>PAGE 5 ISSUE 3</p>
--	--	--	--	---------------------------

1. **GENERAL**

1.1 **SCOPE**

This specification details the ratings, physical and electrical characteristics, test and inspection data for a silicon monolithic, CMOS Hex Buffer/Converter, having inverted unbuffered outputs, based on Type 4049uB. It shall be read in conjunction with ESA/SCC Generic Specification No. 9000, the requirements of which are supplemented herein.

1.2 **COMPONENT TYPE VARIANTS**

Variants of the basic type integrated circuits specified herein, which are also covered by this specification, are given in Table 1(a).

1.3 **MAXIMUM RATINGS**

The maximum ratings, which shall not be exceeded at any time during use or storage, applicable to the integrated circuits specified herein, are as scheduled in Table 1(b).

Maximum ratings shall only be exceeded during testing to the extent specified in this specification and when stipulated in Test Methods and Procedures of the applicable ESA/SCC Generic Specification.

1.4 **PARAMETER DERATING INFORMATION (FIGURE 1)**

Not applicable.

1.5 **PHYSICAL DIMENSIONS**

As per Figure 2.

1.6 **PIN ASSIGNMENT**

As per Figure 3(a).

1.7 **TRUTH TABLE**

As per Figure 3(b).

1.8 **CIRCUIT SCHEMATIC**

As per Figure 3(c).

1.9 **FUNCTIONAL DIAGRAM**

As per Figure 3(d).

1.10 **HANDLING PRECAUTIONS**

These devices are susceptible to damage by electrostatic discharge. Therefore, suitable precautions shall be employed for protection during all phases of manufacture, testing, packaging, shipment and any handling. These components are Catagorised as Class 1 with a Minimum Critical Path Failure Voltage of 400Volts.

1.11 **INPUT PROTECTION NETWORK**

Double diode protection shall be incorporated into each input as shown in Figure 3(e).

**TABLE 1(a) - TYPE VARIANTS**

VARIANT	CASE	FIGURE	LEAD MATERIAL AND/OR FINISH
01	FLAT	2(a)	G2 or G8
02	FLAT	2(a)	G4
03	D.I.L.	2(b)	G2 or G8
04	D.I.L.	2(b)	G4
07	CHIP CARRIER	2(c)	2
08	D.I.L.	2(d)	G2
09	D.I.L.	2(d)	G4
10	SO CERAMIC	2(e)	G2
11	SO CERAMIC	2(e)	G4

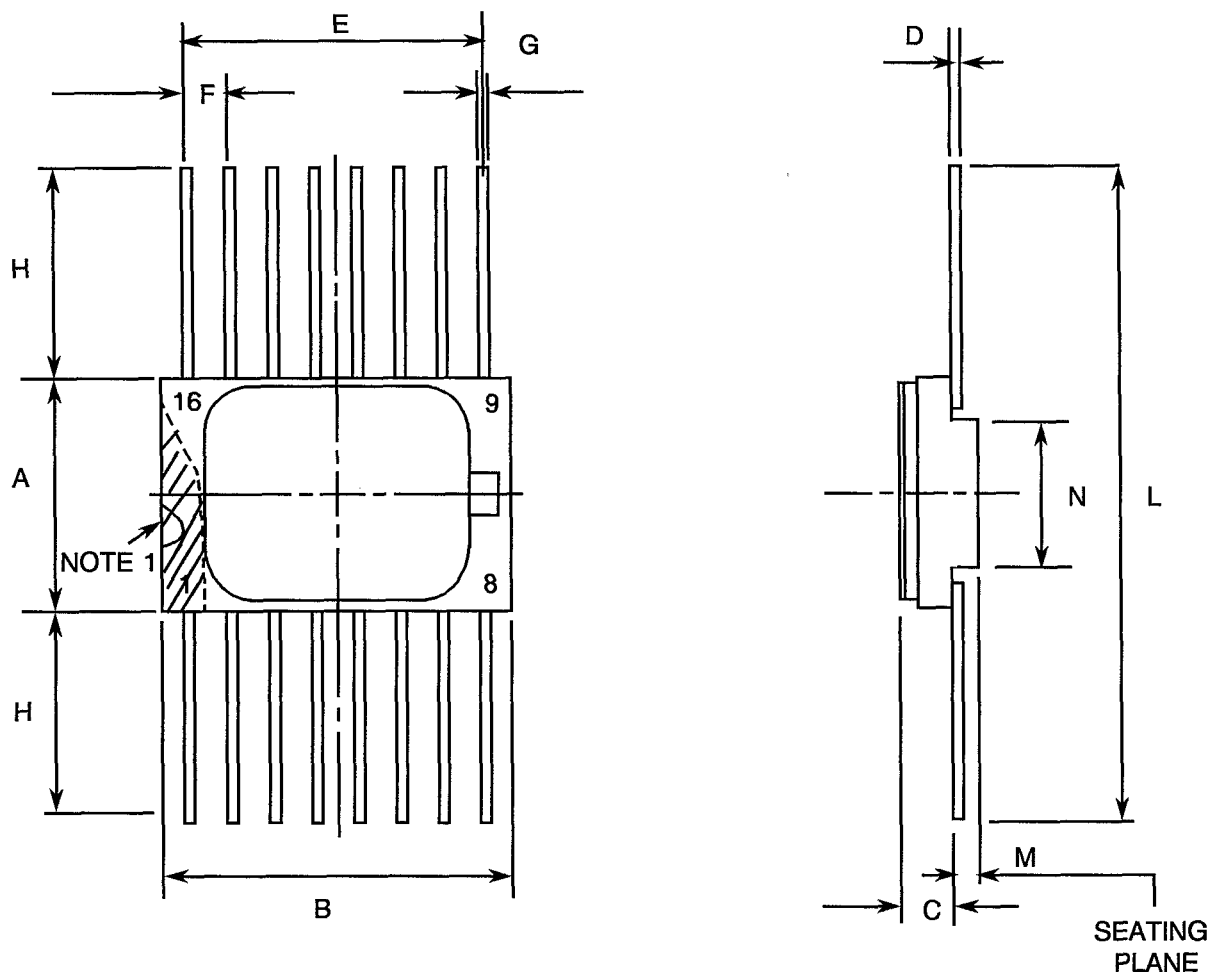
**TABLE 1(b) - MAXIMUM RATINGS**

NO.	CHARACTERISTICS	SYMBOL	MAXIMUM RATING	UNITS	REMARKS
1	Supply Voltage	$V_{DD}$	-0.5 to + 18	V	Note 1
2	Input Voltage	$V_{IN}$	-0.5 to + 18.5	V	Power on
3	D.C. Input Current	$\pm I_{IN}$	10	mA	Note 2
4	D.C. Output Current	$\pm I_O$	10	mA	Note 3
5	Device Dissipation	$P_D$	200	mWdc	Per Package
6	Output Dissipation	$P_{DSO}$	100	mWdc	Note 4
7	Operating Temperature Range	$T_{op}$	-55 to + 125	°C	-
8	Storage Temperature Range	$T_{stg}$	-65 to + 150	°C	-
9	Soldering Temperature For FP and DIP For CCP	$T_{sol}$	+ 300 + 245	°C	Note 5 Note 6

**NOTES**

- Device is functional from + 3V to + 15V with reference to  $V_{SS}$ .
- Any 1 input.
- The maximum output current of any single output.
- The maximum power dissipation of any single output.
- Duration 10 seconds maximum at a distance of not less than 1.5mm from the device body and the same lead shall not be resoldered until 3 minutes have elapsed.
- Duration 30 seconds maximum and the same terminal shall not be resoldered until 3 minutes have elapsed.



**FIGURE 2 - PHYSICAL DIMENSIONS**
**FIGURE 2(a) - FLAT PACKAGE, 16-PIN**


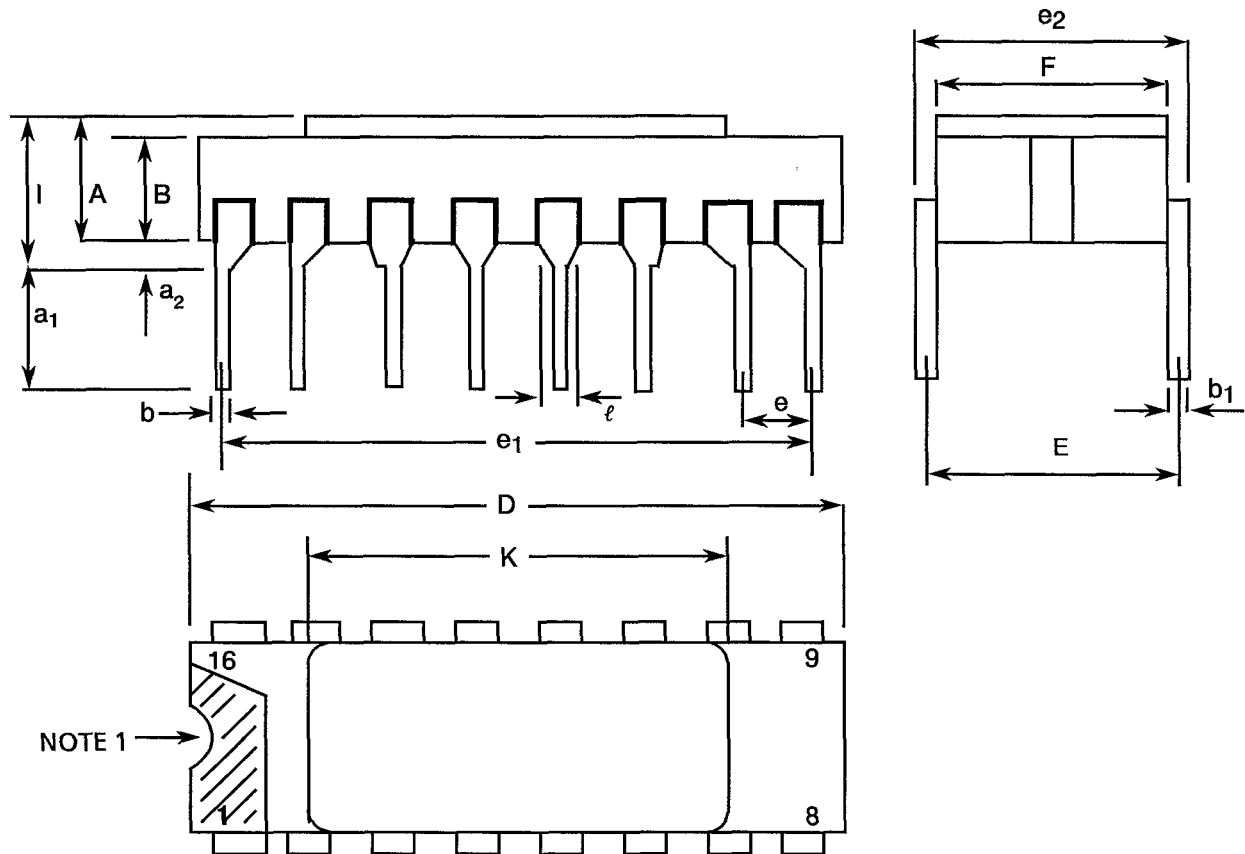
SYMBOL	MILLIMETRES		NOTES
	MIN	MAX	
A	6.75	7.06	
B	9.76	10.14	
C	1.49	1.95	
D	0.102	0.152	3
E	8.76	9.01	
F	1.27	TYPICAL	4
G	0.38	0.48	3
H	6.0	-	3
L	18.75	22.0	
M	0.33	0.43	
N	4.31	TYPICAL	

**NOTES:** See Page 12.



**FIGURE 2 - PHYSICAL DIMENSIONS (CONTINUED)**

**FIGURE 2(b) - DUAL-IN-LINE PACKAGE, 16-PIN**



NOTE 1 →

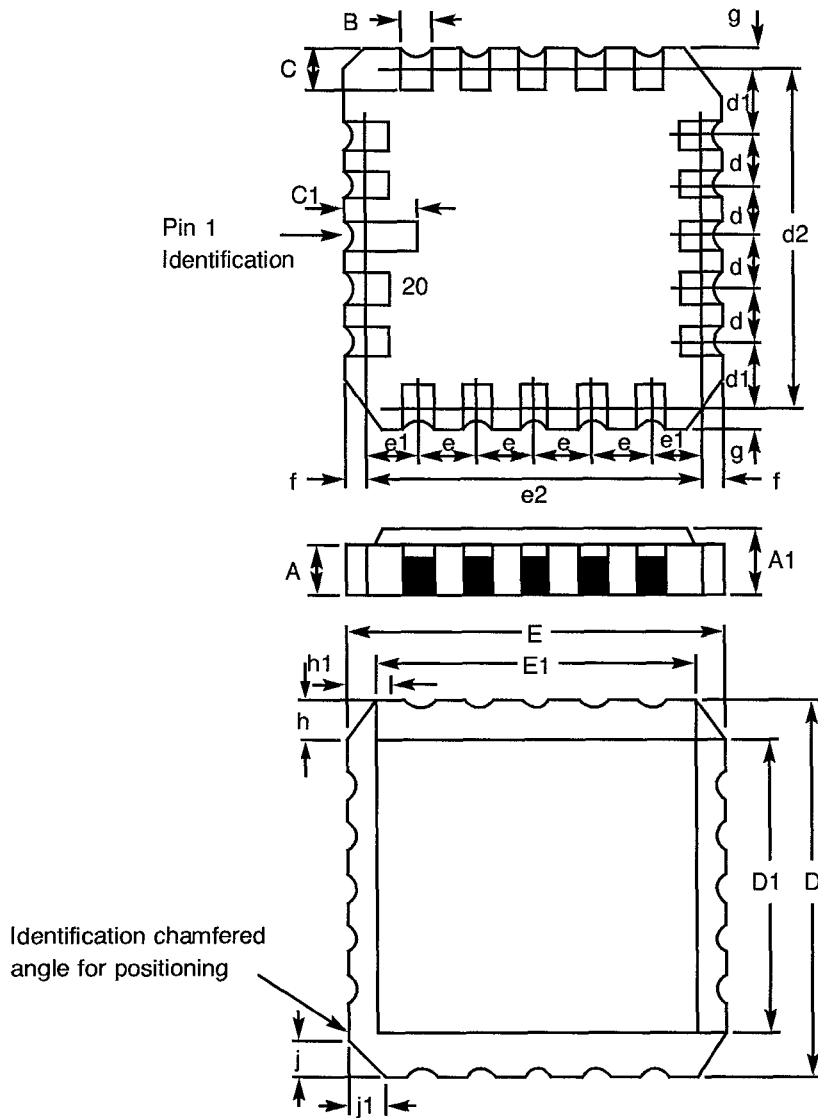
SYMBOL	MILLIMETRES		NOTES
	MIN	MAX	
A	2.10	2.54	
a <sub>1</sub>	3.0	3.7	
a <sub>2</sub>	0.63	1.14	2
B	1.82	2.23	
b	0.40	0.50	3
b <sub>1</sub>	0.20	0.30	3
D	18.79	19.20	
E	7.36	7.87	
e	2.41	2.67	4
e <sub>1</sub>	17.65	17.90	
e <sub>2</sub>	7.62	8.12	
F	7.11	7.62	
l	-	3.70	
K	10.90	12.10	
ℓ	1.27 Typical		

**NOTES:** See Page 12.



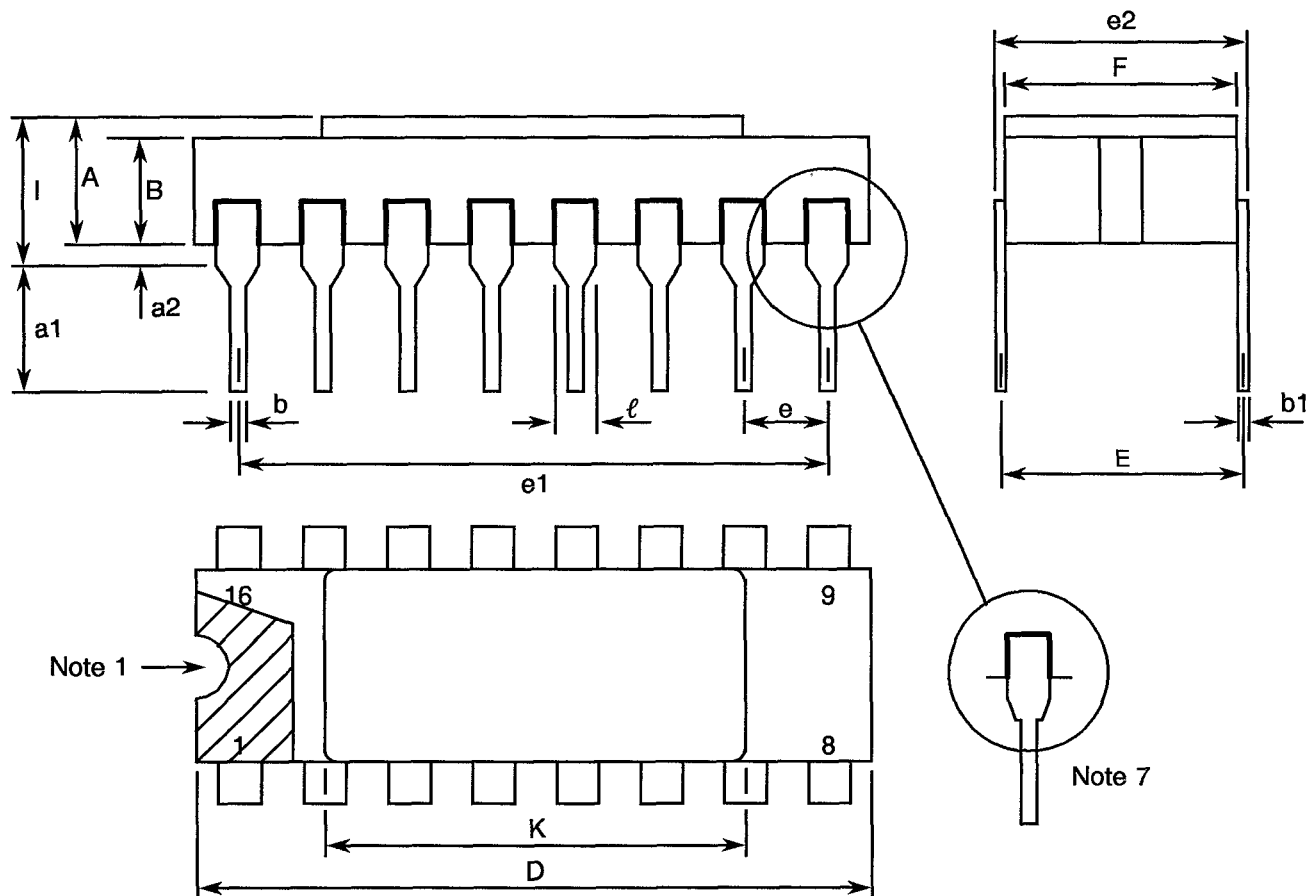
**FIGURE 2 - PHYSICAL DIMENSIONS (CONTINUED)**

**FIGURE 2(c) - CHIP CARRIER - 20-TERMINAL**



DIMENSIONS	MILLIMETRES		NOTES
	MIN	MAX	
A	1.14	1.95	
A1	1.63	2.36	
B	0.55	0.72	3
C	1.06	1.47	3
C <sub>1</sub>	1.91	2.41	
D	8.67	9.09	
D1	7.21	7.52	
d, d1	1.27	TYPICAL	4
d2	7.62	TYPICAL	
E	8.67	9.09	
E1	7.21	7.52	
e, e1	1.27	TYPICAL	4
e2	7.62	TYPICAL	
f, g	-	0.76	
h, h1	1.01	TYPICAL	6
j, j1	0.51	TYPICAL	5

**NOTES:** See Page 12.

**FIGURE 2 - PHYSICAL DIMENSIONS (CONTINUED)**
**FIGURE 2(d) - DUAL-IN-LINE PACKAGE, 16-PIN**


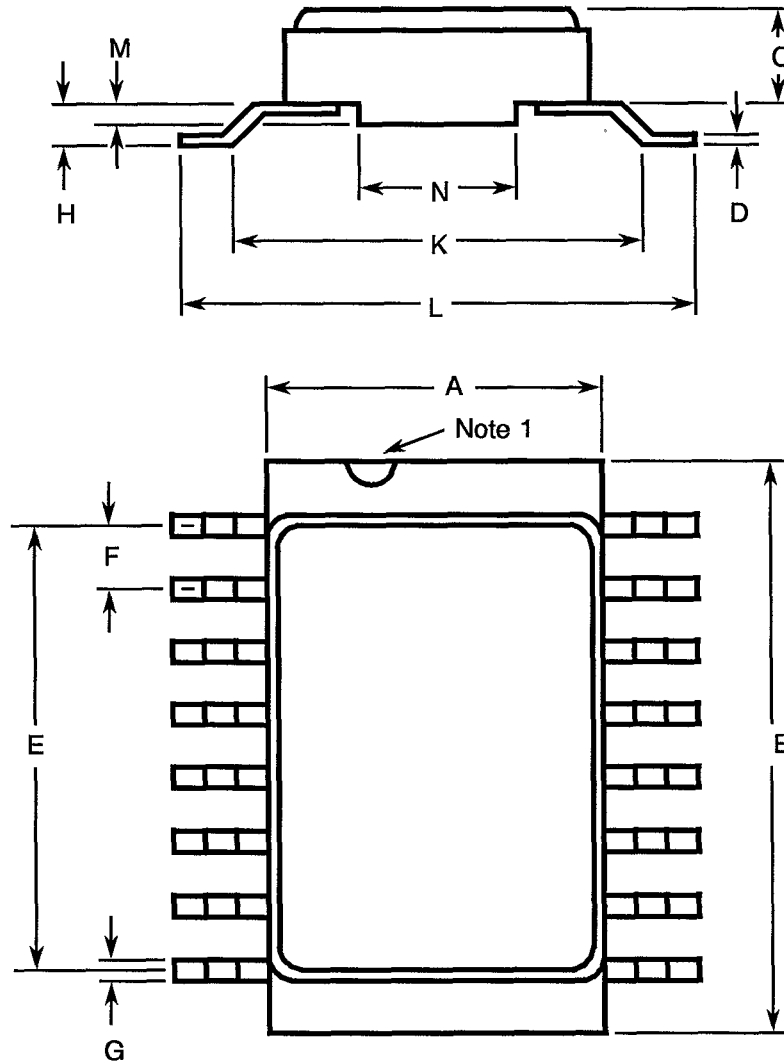
SYMBOL	MILLIMETRES		NOTES
	MIN	MAX	
A	2.10	2.71	
a1	3.00	3.70	
a2	0.63	1.14	2
B	1.82	2.39	
b	0.40	0.50	3
b1	0.20	0.30	3
D	20.06	20.58	
E	7.36	7.87	
e	2.54 TYPICAL		4
e1	17.65	17.90	
e2	7.62	8.12	
F	7.29	7.70	
l	-	3.83	
K	10.90	12.10	
ℓ	1.14	1.50	

**NOTES:** See Page 12.



**FIGURE 2 - PHYSICAL DIMENSIONS (CONTINUED)**

**FIGURE 2(e) - SMALL OUTLINE CERAMIC PACKAGE, 16-PIN**



SYMBOL	MILLIMETRES		NOTES
	MIN.	MAX.	
A	6.75	7.06	
B	9.76	10.14	
C	1.49	1.95	
D	0.102	0.152	3
E	8.76	9.01	
F	1.27 TYPICAL		4
G	0.38	0.48	3
H	0.60	0.90	3
K	9.00 TYPICAL		
L	10	10.65	
M	0.33	0.43	
N	4.31 TYPICAL		

**NOTES:** See Page 12.



**FIGURE 2 - PHYSICAL DIMENSIONS (CONTINUED)**

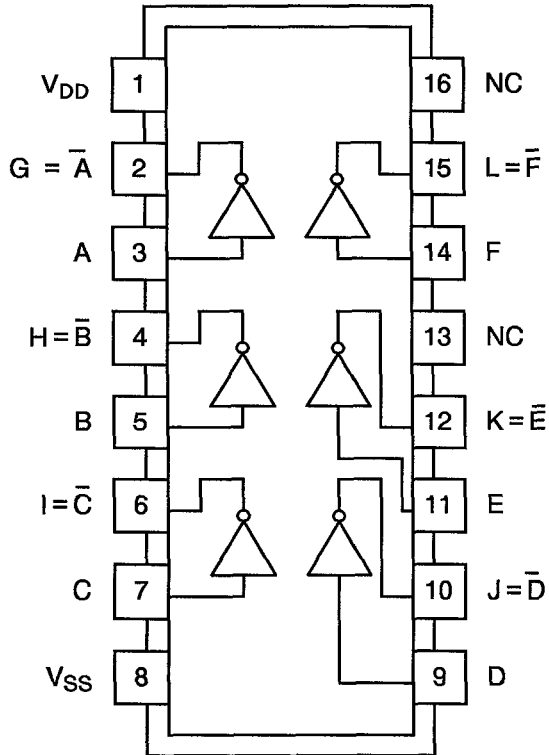
**NOTES TO FIGURES 2(a) TO 2(e) INCLUSIVE**

1. Index area: a notch, letter or dot shall be located adjacent to Pin 1 and shall be within the shaded area shown. For chip carrier packages the index shall be as defined in Figure 2(c).
2. The dimension shall be measured from the seating plane to the base plane.
3. All leads or terminals.
4. 16 pin packages : 14 spaces  
20 terminal packages : 12 spaces
5. Index corner only.
6. Three non-index corners.
7. For all pins, either pin shape may be supplied.



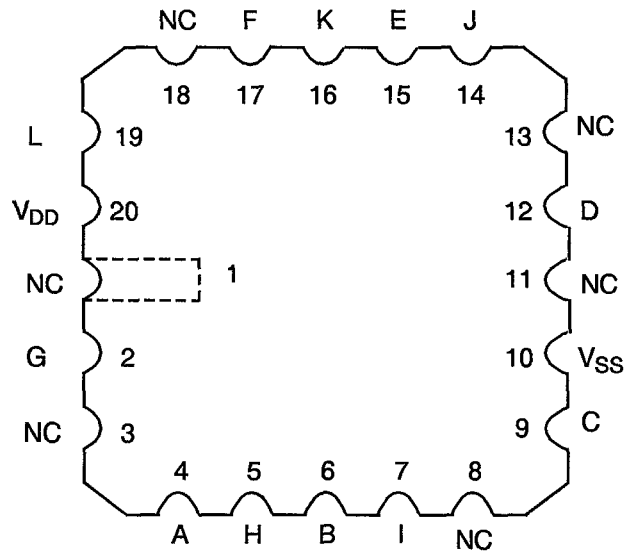
**FIGURE 3(a) - PIN ASSIGNMENT**

DUAL-IN-LINE, SO AND FLAT PACKAGES



(TOP VIEW)

CHIP CARRIER PACKAGE



(TOP VIEW)

FLAT PACKAGE, SO AND DUAL-IN-LINE TO CHIP CARRIER PIN ASSIGNMENT

FLAT PACKAGE, SO AND DUAL-IN-LINE PIN OUTS	1	2	3	4	5	6	7	8	9	10	11	12	13	14	15	16
CHIP CARRIER PIN OUTS	20	2	4	5	6	7	9	10	12	14	15	16	NC	17	19	NC

**FIGURE 3(b) - TRUTH TABLE**

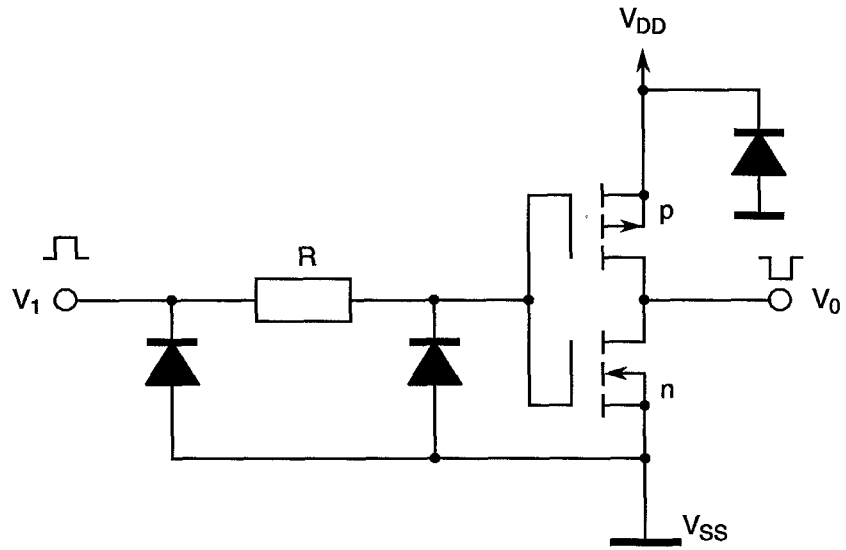
TRUTH TABLE EACH INVERTER	
INPUT	OUTPUT
L	H
H	L

**NOTES**

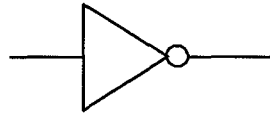
1. Positive Logic:  $Y = \bar{A}$
2. Logic Level Definitions: L = Low Level, H = High Level.



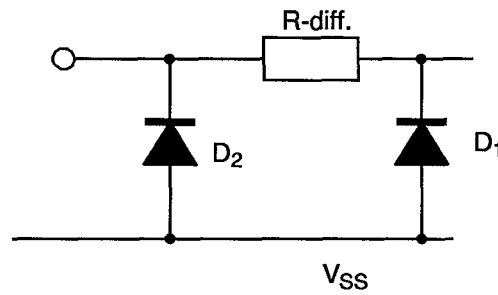
**FIGURE 3(c) - CIRCUIT SCHEMATIC (EACH BUFFER)**



**FIGURE 3(d) - FUNCTIONAL DIAGRAM (EACH BUFFER)**



**FIGURE 3(e) - INPUT PROTECTION NETWORK**





**2. APPLICABLE DOCUMENTS**

The following documents form part of this specification and shall be read in conjunction with it:-

- (a) ESA/SCC Generic Specification No. 9000 for Integrated Circuits.
- (b) MIL-STD-883, Test Methods and Procedures for Micro-electronics.

**3. TERMS, DEFINITIONS, ABBREVIATIONS, SYMBOLS AND UNITS**

For the purpose of this specification, the terms, definitions, abbreviations, symbols and units specified in ESA/SCC Basic Specification No. 21300 shall apply. In addition, the following abbreviations are used:

- V<sub>IC</sub> = Input Clamp Voltage.
- P<sub>DSO</sub> = Single Output Power Dissipation.
- CKT = Circuit.

**4. REQUIREMENTS****4.1 GENERAL**

The complete requirements for procurement of the integrated circuits specified herein shall be as stated in this specification and ESA/SCC Generic Specification No. 9000 for Integrated Circuits. Deviations from the Generic Specification, applicable to this specification only, are listed in Para. 4.2.

Deviations from the applicable Generic Specification and this Detail Specification, formally agreed with specific Manufacturers on the basis that the alternative requirements are equivalent to the ESA/SCC requirement and do not affect the components' reliability, are listed in the appendices attached to this specification.

**4.2 DEVIATIONS FROM GENERIC SPECIFICATION****4.2.1 Deviations from Special In-process Controls**

None.

**4.2.2 Deviations from Final Production Tests (Chart II)**

None.

**4.2.3 Deviations from Burn-in Tests (Chart III)****4.2.3.1 Deviations from High Temperature Reverse Bias (H.T.R.B.)**

Prior to operating power burn-in, a high temperature reverse bias (H.T.R.B.) screen at +125°C shall be added for the N-Channel and then for the P-Channel in accordance with Tables 5(a) and 5(b) of this specification. Each exposure to H.T.R.B. shall be 72 hours and Table 4 Parameter Drift Values shall be applied at 0 and 144 hours.

**4.2.4 Deviations from Qualification Tests (Chart IV)**

None.



#### 4.2.5 Deviations from Lot Acceptance Tests (Chart V)

None.

### 4.3 MECHANICAL REQUIREMENTS

#### 4.3.1 Dimension Check

The dimensions of the integrated circuits specified herein shall be checked. They shall conform to those shown in Figure 2.

#### 4.3.2 Weight

The maximum weight of the integrated circuits specified herein shall be 1.5 grammes for the dual-in-line package, 0.6 grammes for the flat and SO packages and 0.52 grammes for the chip carrier package.

### 4.4 MATERIALS AND FINISHES

The materials and finishes shall be as specified herein. Where a definite material is not specified, a material which will enable the integrated circuits specified herein to meet the performance requirements of this specification shall be used. Acceptance or approval of any constituent material does not guarantee acceptance of the finished product.

#### 4.4.1 Case

The case shall be hermetically sealed and have a metal body with hard glass seals or a ceramic body and the lids shall be welded, brazed or preform-soldered.

#### 4.4.2 Lead Material and Finish

For dual-in-line and flat packages, the material shall be Type 'G' with either Type '4' or Type '2 or 8' finish in accordance with ESA/SCC Basic Specification No. 23500. For chip carrier packages the finish shall be Type '2' in accordance with ESA/SCC Basic Specification No. 23500. For SO ceramic packages, the material shall be Type 'G' with either Type '2' or Type '4' finish in accordance with ESA/SCC Basic Specification No. 23500. (See Table 1(a) for Type Variants).

### 4.5 MARKING

#### 4.5.1 General

The marking of all components delivered to this specification shall be in accordance with the requirements of ESA/SCC Basic Specification No. 21700. Each component shall be marked in respect of:-

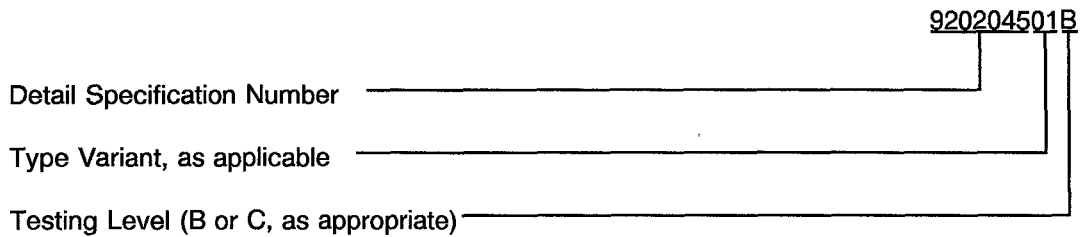
- (a) Lead Identification.
- (b) The SCC Component Number.
- (c) Traceability Information.

#### 4.5.2 Lead Identification

For dual-in-line, flat and SO packages, an index shall be located at the top of the package in the position defined in Note 1 to Figure 2 or, alternatively, a tab may be used to identify Pin No. 1. The pin numbering must be read with the index or tab on the left-hand side. For chip carrier packages, the index shall be as defined by Figure 2(c).

4.5.3 The SCC Component Number

Each component shall bear the SCC Component Number which shall be constituted and marked as follows:



4.5.4 Traceability Information

Each component shall be marked in respect of traceability information in accordance with the requirements of ESA/SCC Basic Specification No. 21700.

4.6 ELECTRICAL MEASUREMENTS

4.6.1 Electrical Measurements at Room Temperature

The parameters to be measured in respect of electrical characteristics are scheduled in Table 2. Unless otherwise specified, the measurements shall be performed at  $T_{amb} = +22 \pm 3 \text{ }^\circ\text{C}$ .

4.6.2 Electrical Measurements at High and Low Temperatures

The parameters to be measured at high and low temperatures are scheduled in Table 3. The measurements shall be performed at  $T_{amb} = +125(+0-5) \text{ }^\circ\text{C}$  and  $-55(+5-0) \text{ }^\circ\text{C}$  respectively.

4.6.3 Circuits for Electrical Measurements

Circuits and functional test sequence for use in performing electrical measurements listed in Tables 2 and 3 of this specification are shown in Figure 4.

4.7 BURN-IN TESTS

4.7.1 Parameter Drift Values

The parameter drift values applicable to burn-in are specified in Table 4 of this specification. Unless otherwise stated, measurements shall be performed at  $+22 \pm 3 \text{ }^\circ\text{C}$ . The parameter drift values ( $\Delta$ ) applicable to the parameters scheduled, shall not be exceeded. In addition to these drift value requirements, the appropriate limit value specified for a given parameter in Table 2 shall not be exceeded.

4.7.2 Conditions for H.T.R.B. and Burn-in

The requirements for H.T.R.B. and Burn-in are specified in Section 7 of ESA/SCC Generic Specification No. 9000. The conditions for H.T.R.B. and Burn-in shall be as specified in Tables 5(a), 5(b) and 5(c) of this specification.

4.7.3 Electrical Circuits for H.T.R.B and Burn-in

Circuits for use in performing the H.T.R.B. and Burn-in tests are shown in Figures 5(a), 5(b) and 5(c) of this specification.

**TABLE 2 - ELECTRICAL MEASUREMENTS AT ROOM TEMPERATURE - d.c. PARAMETERS**

NO.	CHARACTERISTICS	SYMBOL	TEST METHOD MIL-STD 883	TEST FIG.	TEST CONDITIONS (PINS UNDER TEST D/F = DIP AND FP C = CCP)	LIMITS		UNIT
						MIN	MAX	
1	Functional Test	-	-	4(a)	Verify Truth Table without Load. $V_{DD} = 3V_{dc}$ , $V_{SS} = 0V_{dc}$ Notes 1 and 2	-	-	-
2	Functional Test	-	-	4(a)	Verify Truth Table without Load. $V_{DD} = 15V_{dc}$ , $V_{SS} = 0V_{dc}$ Notes 1 and 2	-	-	-
3 to 4	Quiescent Current	$I_{DD}$	3005	4(b)	$V_{IL} = 0V_{dc}$ , $V_{IH} = 15V_{dc}$ $V_{DD} = 15V_{dc}$ , $V_{SS} = 0V_{dc}$ Note 3 (Pin D/F 1) (Pin C 20)	-	500	nA
5 to 10	Input Current Low Level	$I_{IL}$	3009	4(c)	Gate Under Test: $V_{IN} = 0V_{dc}$ All Other Gates: $V_{IN} = 15V_{dc}$ $V_{DD} = 15V_{dc}$ , $V_{SS} = 0V_{dc}$ (Pins D/F 3-5-7-9-11-14) (Pins C 4-6-9-12-15-17)	-	-50	nA
11 to 16	Input Current High Level	$I_{IH}$	3010	4(d)	Gate Under Test: $V_{IN} = 15V_{dc}$ All Other Gates: $V_{IN} = 0V_{dc}$ $V_{DD} = 15V_{dc}$ , $V_{SS} = 0V_{dc}$ (Pins D/F 3-5-7-9-11-14) (Pins C 4-6-9-12-15-17)	-	50	nA
17 to 22	Output Voltage Low Level	$V_{OL}$	3007	4(e)	Gate Under Test: $V_{IN} = 15V_{dc}$ All Other Gates: $V_{IN} = 0V_{dc}$ $V_{OUT} = \text{Open}$ $V_{DD} = 15V_{dc}$ , $V_{SS} = 0V_{dc}$ (Pins D/F 2-4-6-10-12-15) (Pins C 2-5-7-14-16-19)	-	0.05	V
23 to 28	Output Voltage High Level	$V_{OH}$	3006	4(f)	Gate Under Test: $V_{IN} = 0V_{dc}$ All Other Gates: $V_{IN} = 0V_{dc}$ $V_{OUT} = \text{Open}$ $V_{DD} = 15V_{dc}$ , $V_{SS} = 0V_{dc}$ (Pins D/F 2-4-6-10-12-15) (Pins C 2-5-7-14-16-19)	14.95	-	V

**NOTES:** See Page 22.



**TABLE 2 - ELECTRICAL MEASUREMENTS AT ROOM TEMPERATURE - d.c. PARAMETERS (CONT'D)**

NO.	CHARACTERISTICS	SYMBOL	TEST METHOD MIL-STD 883	TEST FIG.	TEST CONDITIONS (PINS UNDER TEST D/F = DIP AND FP C = CCP)	LIMITS		UNIT
						MIN	MAX	
29 to 34	Output Drive Current N-Channel	$I_{OL1}$	-	4(g)	Gate Under Test: $V_{IN} = 5V_{dc}$ $V_{OUT} = 0.4V_{dc}$ All Other Gates: $V_{IN} = 0V_{dc}$ $V_{DD} = 5V_{dc}$ , $V_{SS} = 0V_{dc}$ Note 4 (Pins D/F 2-4-6-10-12-15) (Pins C 2-5-7-14-16-19)	3.2	-	mA
35 to 40	Output Drive Current N-Channel	$I_{OL2}$	-	4(g)	Gate Under Test: $V_{IN} = 15V_{dc}$ $V_{OUT} = 1.5V_{dc}$ All Other Gates: $V_{IN} = 0V_{dc}$ $V_{DD} = 15V_{dc}$ , $V_{SS} = 0V_{dc}$ Note 4 (Pins D/F 2-4-6-10-12-15) (Pins C 2-5-7-14-16-19)	24	-	mA
41 to 46	Output Drive Current P-Channel	$I_{OH1}$	-	4(h)	Gate Under Test: $V_{IN} = 0V_{dc}$ $V_{OUT} = 4.6V_{dc}$ All Other Gates: $V_{IN} = 0V_{dc}$ $V_{DD} = 5V_{dc}$ , $V_{SS} = 0V_{dc}$ Note 4 (Pins D/F 2-4-6-10-12-15) (Pins C 2-5-7-14-16-19)	-0.51	-	mA
47 to 52	Output Drive Current P-Channel	$I_{OH2}$	-	4(h)	Gate Under Test: $V_{IN} = 0V_{dc}$ $V_{OUT} = 13.5V_{dc}$ All Other Gates: $V_{IN} = 0V_{dc}$ $V_{DD} = 15V_{dc}$ , $V_{SS} = 0V_{dc}$ Note 4 (Pins D/F 2-4-6-10-12-15) (Pins C 2-5-7-14-16-19)	-3.4	-	mA
53 to 58	Input Voltage Low Level (Noise Immunity)	$V_{IL1}$	-	4(i)	Gate Under Test: $V_{IN} = 1.0V_{dc}$ All Other Gates: $V_{IN} = 0V_{dc}$ $V_{DD} = 5V_{dc}$ , $V_{SS} = 0V_{dc}$ (Pins D/F 2-4-6-10-12-15) (Pins C 2-5-7-14-16-19)	4.5	-	V

**NOTES:** See Page 22.

**TABLE 2 - ELECTRICAL MEASUREMENTS AT ROOM TEMPERATURE - d.c. PARAMETERS (CONT'D)**

NO.	CHARACTERISTICS	SYMBOL	TEST METHOD MIL-STD 883	TEST FIG.	TEST CONDITIONS (PINS UNDER TEST D/F = DIP AND FP C = CCP)	LIMITS		UNIT
						MIN	MAX	
59 to 64	Input Voltage Low Level (Noise Immunity)	$V_{IL2}$	-	4(i)	Gate Under Test: $V_{IN} = 2.5Vdc$ All Other Gates: $V_{IN} = 0Vdc$ $V_{DD} = 15Vdc$ , $V_{SS} = 0Vdc$ (Pins D/F 2-4-6-10-12-15) (Pins C 2-5-7-14-16-19)	13.5	-	V
65 to 70	Input Voltage High Level (Noise Immunity)	$V_{IH1}$	-	4(j)	Gate Under Test: $V_{IN} = 4.0Vdc$ All Other Gates: $V_{IN} = 0Vdc$ $V_{DD} = 5Vdc$ , $V_{SS} = 0Vdc$ (Pins D/F 2-4-6-10-12-15) (Pins C 2-5-7-14-16-19)	-	0.5	V
71 to 76	Input Voltage High Level (Noise Immunity)	$V_{IH2}$	-	4(j)	Gate Under Test: $V_{IN} = 12.5Vdc$ All Other Gates: $V_{IN} = 0Vdc$ $V_{DD} = 15Vdc$ , $V_{SS} = 0Vdc$ (Pins D/F 2-4-6-10-12-15) (Pins C 2-5-7-14-16-19)	-	1.5	V
77	Threshold Voltage N-Channel	$V_{THN}$	-	4(k)	'A' Input at Ground All Other Inputs: $V_{IN} = 5Vdc$ $V_{DD} = 5Vdc$ , $I_{SS} = -10\mu A$ (Pin D/F 8) (Pin C 10)	-0.7	-3.0	V
78	Threshold Voltage P-Channel	$V_{THP}$	-	4(l)	'A' Input at Ground All Other Inputs: $V_{IN} = -5Vdc$ $V_{SS} = -5Vdc$ , $I_{DD} = 10\mu A$ (Pin D/F 1) (Pin C 20)	0.7	3.0	V
79 to 84	Input Clamp Voltage (to $V_{SS}$ )	$V_{IC1}$	-	4(m)	$I_{IN}$ (Under Test) = $-100\mu A$ $V_{DD} = \text{Open}$ , $V_{SS} = 0Vdc$ All Other Pins Open (Pins D/F 3-5-7-9-11-14) (Pins C 4-6-9-12-15-17)	-	-2.0	V
85 to 90	Not applicable							

**NOTES:** See Page 22.

**TABLE 2 - ELECTRICAL MEASUREMENTS AT ROOM TEMPERATURE - a.c. PARAMETERS**

NO.	CHARACTERISTICS	SYMBOL	TEST METHOD MIL-STD 883	TEST FIG.	TEST CONDITIONS (PINS UNDER TEST D/F = DIP AND FP C = CCP)	LIMITS		UNIT
						MIN	MAX	
91 to 96	Input Capacitance	$C_{IN}$	3012	4(o)	$V_{IN}$ (Not Under Test) = 0Vdc $V_{DD} = V_{SS} = 0Vdc$ Note 5 (Pins D/F 3-5-7-9-11-14) (Pins C 4-6-9-12-15-17)	-	22.5	pF
97	Propagation Delay Low to High	$t_{PLH}$	3003	4(p)	$V_{IN}$ (Under Test) = Pulse Generator $V_{IN}$ (All Other Inputs) = 0Vdc $V_{DD} = 5Vdc, V_{SS} = 0Vdc$ Note 6 <u>Pins D/F</u> <u>Pins C</u> 3 to 2        4 to 2	-	120	ns
98	Propagation Delay High to Low	$t_{PHL}$	3003	4(p)	$V_{IN}$ (Under Test) = Pulse Generator $V_{IN}$ (All Other Inputs) = 0Vdc $V_{DD} = 5Vdc, V_{SS} = 0Vdc$ Note 6 <u>Pins D/F</u> <u>Pins C</u> 3 to 2        4 to 2	-	65	ns
99	Transition Time Low to High	$t_{TLH}$	3004	4(p)	$V_{IN}$ (Under Test) = Pulse Generator $V_{IN}$ (All Other Inputs) = 0Vdc $V_{DD} = 5Vdc, V_{SS} = 0Vdc$ Note 6 (Pin D/F 2) (Pin C 2)	-	160	ns
100	Transition Time High to Low	$t_{THL}$	3004	4(p)	$V_{IN}$ (Under Test) = Pulse Generator $V_{IN}$ (All Other Inputs) = 0Vdc $V_{DD} = 5Vdc, V_{SS} = 0Vdc$ Note 6 (Pin D/F 2) (Pin C 2)	-	60	ns

**NOTES:** See Page 22.

**SCC**ESA/SCC Detail Specification  
No. 9202/045PAGE 22  
ISSUE 3**TABLE 2 - ELECTRICAL MEASUREMENTS AT ROOM TEMPERATURE (CONTINUED)****NOTES**

1. GO-NO-GO Test, each pattern of Test Table 4(a).  
 $V_{OH} \geq V_{DD} - 0.5V_{dc}$        $V_{OL} \leq 0.5V_{dc}$
2. Maximum time to output comparator strobe 300 $\mu$ sec.
3. Test each pattern of Table 4(b).
4. Interchange of forcing and measuring function is permitted.
5. Measurement performed on a sample basis, LTPD7 or less, with a Capacitance Bridge connected between each input under test and  $V_{SS}$ , only for Lots where LAT Level 2 is to be performed. (For LTPD sampling plan, see Annexe I of ESA/SCC 9000).
6. Measurement performed on a sample basis, LTPD7 or less (see Annexe I of ESA/SCC 9000).



**TABLE 3(a) - ELECTRICAL MEASUREMENTS AT HIGH TEMPERATURE, +125(+0-5) °C**

NO.	CHARACTERISTICS	SYMBOL	TEST METHOD MIL-STD 883	TEST FIG.	TEST CONDITIONS (PINS UNDER TEST D/F = DIP AND FP C = CCP)	LIMITS		UNIT
						MIN	MAX	
1	Functional Test	-	-	4(a)	Verify Truth Table without Load. $V_{DD} = 3V_{dc}$ , $V_{SS} = 0V_{dc}$ Notes 1 and 2	-	-	-
2	Functional Test	-	-	4(a)	Verify Truth Table without Load. $V_{DD} = 15V_{dc}$ , $V_{SS} = 0V_{dc}$ Notes 1 and 2	-	-	-
3 to 4	Quiescent Current	$I_{DD}$	3005	4(b)	$V_{IL} = 0V_{dc}$ , $V_{IH} = 15V_{dc}$ $V_{DD} = 15V_{dc}$ , $V_{SS} = 0V_{dc}$ Note 3 (Pin D/F 1) (Pin C 20)	-	15	$\mu A$
5 to 10	Input Current Low Level	$I_{IL}$	3009	4(c)	Gate Under Test: $V_{IN} = 0V_{dc}$ All Other Gates: $V_{IN} = 15V_{dc}$ $V_{DD} = 15V_{dc}$ , $V_{SS} = 0V_{dc}$ (Pins D/F 3-5-7-9-11-14) (Pins C 4-6-9-12-15-17)	-	-100	nA
11 to 16	Input Current High Level	$I_{IH}$	3010	4(d)	Gate Under Test: $V_{IN} = 15V_{dc}$ All Other Gates: $V_{IN} = 0V_{dc}$ $V_{DD} = 15V_{dc}$ , $V_{SS} = 0V_{dc}$ (Pins D/F 3-5-7-9-11-14) (Pins C 4-6-9-12-15-17)	-	100	nA
17 to 22	Output Voltage Low Level	$V_{OL}$	3007	4(e)	Gate Under Test: $V_{IN} = 15V_{dc}$ All Other Gates: $V_{IN} = 0V_{dc}$ $V_{OUT} = \text{Open}$ $V_{DD} = 15V_{dc}$ , $V_{SS} = 0V_{dc}$ (Pins D/F 2-4-6-10-12-15) (Pins C 2-5-7-14-16-19)	-	0.05	V
23 to 28	Output Voltage High Level	$V_{OH}$	3006	4(f)	Gate Under Test: $V_{IN} = 0V_{dc}$ All Other Gates: $V_{IN} = 0V_{dc}$ $V_{OUT} = \text{Open}$ $V_{DD} = 15V_{dc}$ , $V_{SS} = 0V_{dc}$ (Pins D/F 2-4-6-10-12-15) (Pins C 2-5-7-14-16-19)	14.95	-	V

**NOTES:** See Page 22.

**TABLE 3(a) - ELECTRICAL MEASUREMENTS AT HIGH TEMPERATURE, +125(+0-5) °C (CONT'D)**

NO.	CHARACTERISTICS	SYMBOL	TEST METHOD MIL-STD 883	TEST FIG.	TEST CONDITIONS (PINS UNDER TEST D/F = DIP AND FP C = CCP)	LIMITS		UNIT
						MIN	MAX	
29 to 34	Output Drive Current N-Channel	$I_{OL1}$	-	4(g)	Gate Under Test: $V_{IN} = 5Vdc$ $V_{OUT} = 0.4Vdc$ All Other Gates: $V_{IN} = 0Vdc$ $V_{DD} = 5Vdc, V_{SS} = 0Vdc$ Note 4 (Pins D/F 2-4-6-10-12-15) (Pins C 2-5-7-14-16-19)	2.2	-	mA
35 to 40	Output Drive Current N-Channel	$I_{OL2}$	-	4(g)	Gate Under Test: $V_{IN} = 15Vdc$ $V_{OUT} = 1.5Vdc$ All Other Gates: $V_{IN} = 0Vdc$ $V_{DD} = 15Vdc, V_{SS} = 0Vdc$ Note 4 (Pins D/F 2-4-6-10-12-15) (Pins C 2-5-7-14-16-19)	17	-	mA
41 to 46	Output Drive Current P-Channel	$I_{OH1}$	-	4(h)	Gate Under Test: $V_{IN} = 0Vdc$ $V_{OUT} = 4.6Vdc$ All Other Gates: $V_{IN} = 0Vdc$ $V_{DD} = 5Vdc, V_{SS} = 0Vdc$ Note 4 (Pins D/F 2-4-6-10-12-15) (Pins C 2-5-7-14-16-19)	-0.36	-	mA
47 to 52	Output Drive Current P-Channel	$I_{OH2}$	-	4(h)	Gate Under Test: $V_{IN} = 0Vdc$ $V_{OUT} = 13.5Vdc$ All Other Gates: $V_{IN} = 0Vdc$ $V_{DD} = 15Vdc, V_{SS} = 0Vdc$ Note 4 (Pins D/F 2-4-6-10-12-15) (Pins C 2-5-7-14-16-19)	-2.4	-	mA
53 to 58	Input Voltage Low Level (Noise Immunity)	$V_{IL1}$	-	4(i)	Gate Under Test: $V_{IN} = 1.0Vdc$ All Other Gates: $V_{IN} = 0Vdc$ $V_{DD} = 5Vdc, V_{SS} = 0Vdc$ (Pins D/F 2-4-6-10-12-15) (Pins C 2-5-7-14-16-19)	4.5	-	V

**NOTES:** See Page 22.



**TABLE 3(a) - ELECTRICAL MEASUREMENTS AT HIGH TEMPERATURE, +125(+0-5) °C (CONT'D)**

NO.	CHARACTERISTICS	SYMBOL	TEST METHOD MIL-STD 883	TEST FIG.	TEST CONDITIONS (PINS UNDER TEST D/F = DIP AND FP C = CCP)	LIMITS		UNIT
						MIN	MAX	
59 to 64	Input Voltage Low Level (Noise Immunity)	$V_{IL2}$	-	4(i)	Gate Under Test: $V_{IN} = 2.5V_{dc}$ All Other Gates: $V_{IN} = 0V_{dc}$ $V_{DD} = 15V_{dc}$ , $V_{SS} = 0V_{dc}$ (Pins D/F 2-4-6-10-12-15) (Pins C 2-5-7-14-16-19)	13.5	-	V
65 to 70	Input Voltage High Level (Noise Immunity)	$V_{IH1}$	-	4(j)	Gate Under Test: $V_{IN} = 4.0V_{dc}$ All Other Gates: $V_{IN} = 0V_{dc}$ $V_{DD} = 5V_{dc}$ , $V_{SS} = 0V_{dc}$ (Pins D/F 2-4-6-10-12-15) (Pins C 2-5-7-14-16-19)	-	0.5	V
71 to 76	Input Voltage High Level (Noise Immunity)	$V_{IH2}$	-	4(j)	Gate Under Test: $V_{IN} = 12.5V_{dc}$ All Other Gates: $V_{IN} = 0V_{dc}$ $V_{DD} = 15V_{dc}$ , $V_{SS} = 0V_{dc}$ (Pins D/F 2-4-6-10-12-15) (Pins C 2-5-7-14-16-19)	-	1.5	V
77	Threshold Voltage N-Channel	$V_{THN}$	-	4(k)	'A' Input at Ground All Other Inputs: $V_{IN} = 5V_{dc}$ $V_{DD} = 5V_{dc}$ , $I_{SS} = -10\mu A$ (Pin D/F 8) (Pin C 10)	-0.3	-3.5	V
78	Threshold Voltage P-Channel	$V_{THP}$	-	4(l)	'A' Input at Ground All Other Inputs: $V_{IN} = -5V_{dc}$ $V_{SS} = -5V_{dc}$ , $I_{DD} = 10\mu A$ (Pin D/F 1) (Pin C 20)	0.3	3.5	V

**NOTES:** See Page 22.

**TABLE 3(b) - ELECTRICAL MEASUREMENTS AT LOW TEMPERATURE, -55(+5-0) °C**

NO.	CHARACTERISTICS	SYMBOL	TEST METHOD MIL-STD 883	TEST FIG.	TEST CONDITIONS (PINS UNDER TEST D/F = DIP AND FP C = CCP)	LIMITS		UNIT
						MIN	MAX	
1	Functional Test	-	-	4(a)	Verify Truth Table without Load. $V_{DD} = 3V_{dc}$ , $V_{SS} = 0V_{dc}$ Notes 1 and 2	-	-	-
2	Functional Test	-	-	4(a)	Verify Truth Table without Load. $V_{DD} = 15V_{dc}$ , $V_{SS} = 0V_{dc}$ Notes 1 and 2	-	-	-
3 to 4	Quiescent Current	$I_{DD}$	3005	4(b)	$V_{IL} = 0V_{dc}$ , $V_{IH} = 15V_{dc}$ $V_{DD} = 15V_{dc}$ , $V_{SS} = 0V_{dc}$ Note 3 (Pin D/F 1) (Pin C 20)	-	500	nA
5 to 10	Input Current Low Level	$I_{IL}$	3009	4(c)	Gate Under Test: $V_{IN} = 0V_{dc}$ All Other Gates: $V_{IN} = 15V_{dc}$ $V_{DD} = 15V_{dc}$ , $V_{SS} = 0V_{dc}$ (Pins D/F 3-5-7-9-11-14) (Pins C 4-6-9-12-15-17)	-	-50	nA
11 to 16	Input Current High Level	$I_{IH}$	3010	4(d)	Gate Under Test: $V_{IN} = 15V_{dc}$ All Other Gates: $V_{IN} = 0V_{dc}$ $V_{DD} = 15V_{dc}$ , $V_{SS} = 0V_{dc}$ (Pins D/F 3-5-7-9-11-14) (Pins C 4-6-9-12-15-17)	-	50	nA
17 to 22	Output Voltage Low Level	$V_{OL}$	3007	4(e)	Gate Under Test: $V_{IN} = 15V_{dc}$ All Other Gates: $V_{IN} = 0V_{dc}$ $V_{OUT} = \text{Open}$ $V_{DD} = 15V_{dc}$ , $V_{SS} = 0V_{dc}$ (Pins D/F 2-4-6-10-12-15) (Pins C 2-5-7-14-16-19)	-	0.05	V
23 to 28	Output Voltage High Level	$V_{OH}$	3006	4(f)	Gate Under Test: $V_{IN} = 0V_{dc}$ All Other Gates: $V_{IN} = 0V_{dc}$ $V_{OUT} = \text{Open}$ $V_{DD} = 15V_{dc}$ , $V_{SS} = 0V_{dc}$ (Pins D/F 2-4-6-10-12-15) (Pins C 2-5-7-14-16-19)	14.95	-	V

**NOTES:** See Page 22.



**TABLE 3(b) - ELECTRICAL MEASUREMENTS AT LOW TEMPERATURE, -55(+5-0) °C (CONT'D)**

NO.	CHARACTERISTICS	SYMBOL	TEST METHOD MIL-STD 883	TEST FIG.	TEST CONDITIONS (PINS UNDER TEST D/F = DIP AND FP C = CCP)	LIMITS		UNIT
						MIN	MAX	
29 to 34	Output Drive Current N-Channel	$I_{OL1}$	-	4(g)	Gate Under Test: $V_{IN} = 5V_{dc}$ $V_{OUT} = 0.4V_{dc}$ All Other Gates: $V_{IN} = 0V_{dc}$ $V_{DD} = 5V_{dc}$ , $V_{SS} = 0V_{dc}$ Note 4 (Pins D/F 2-4-6-10-12-15) (Pins C 2-5-7-14-16-19)	3.75	-	mA
35 to 40	Output Drive Current N-Channel	$I_{OL2}$	-	4(g)	Gate Under Test: $V_{IN} = 15V_{dc}$ $V_{OUT} = 1.5V_{dc}$ All Other Gates: $V_{IN} = 0V_{dc}$ $V_{DD} = 15V_{dc}$ , $V_{SS} = 0V_{dc}$ Note 4 (Pins D/F 2-4-6-10-12-15) (Pins C 2-5-7-14-16-19)	30	-	mA
41 to 46	Output Drive Current P-Channel	$I_{OH1}$	-	4(h)	Gate Under Test: $V_{IN} = 0V_{dc}$ $V_{OUT} = 4.6V_{dc}$ All Other Gates: $V_{IN} = 0V_{dc}$ $V_{DD} = 5V_{dc}$ , $V_{SS} = 0V_{dc}$ Note 4 (Pins D/F 2-4-6-10-12-15) (Pins C 2-5-7-14-16-19)	-0.64	-	mA
47 to 52	Output Drive Current P-Channel	$I_{OH2}$	-	4(h)	Gate Under Test: $V_{IN} = 0V_{dc}$ $V_{OUT} = 13.5V_{dc}$ All Other Gates: $V_{IN} = 0V_{dc}$ $V_{DD} = 15V_{dc}$ , $V_{SS} = 0V_{dc}$ Note 4 (Pins D/F 2-4-6-10-12-15) (Pins C 2-5-7-14-16-19)	-4.2	-	mA
53 to 58	Input Voltage Low Level (Noise Immunity)	$V_{IL1}$	-	4(i)	Gate Under Test: $V_{IN} = 1.0V_{dc}$ All Other Gates: $V_{IN} = 0V_{dc}$ $V_{DD} = 5V_{dc}$ , $V_{SS} = 0V_{dc}$ (Pins D/F 2-4-6-10-12-15) (Pins C 2-5-7-14-16-19)	4.5	-	V

**NOTES:** See Page 22.



**TABLE 3(b) - ELECTRICAL MEASUREMENTS AT LOW TEMPERATURE, -55(+ 5-0) °C (CONT'D)**

NO.	CHARACTERISTICS	SYMBOL	TEST METHOD MIL-STD 883	TEST FIG.	TEST CONDITIONS (PINS UNDER TEST D/F = DIP AND FP C = CCP)	LIMITS		UNIT
						MIN	MAX	
59 to 64	Input Voltage Low Level (Noise Immunity)	$V_{IL2}$	-	4(i)	Gate Under Test: $V_{IN} = 2.5V_{dc}$ All Other Gates: $V_{IN} = 0V_{dc}$ $V_{DD} = 15V_{dc}$ , $V_{SS} = 0V_{dc}$ (Pins D/F 2-4-6-10-12-15) (Pins C 2-5-7-14-16-19)	13.5	-	V
65 to 70	Input Voltage High Level (Noise Immunity)	$V_{IH1}$	-	4(j)	Gate Under Test: $V_{IN} = 4.0V_{dc}$ All Other Gates: $V_{IN} = 0V_{dc}$ $V_{DD} = 5V_{dc}$ , $V_{SS} = 0V_{dc}$ (Pins D/F 2-4-6-10-12-15) (Pins C 2-5-7-14-16-19)	-	0.5	V
71 to 76	Input Voltage High Level (Noise Immunity)	$V_{IH2}$	-	4(j)	Gate Under Test: $V_{IN} = 12.5V_{dc}$ All Other Gates: $V_{IN} = 0V_{dc}$ $V_{DD} = 15V_{dc}$ , $V_{SS} = 0V_{dc}$ (Pins D/F 2-4-6-10-12-15) (Pins C 2-5-7-14-16-19)	-	1.5	V
77	Threshold Voltage N-Channel	$V_{THN}$	-	4(k)	'A' Input at Ground All Other Inputs: $V_{IN} = 5V_{dc}$ $V_{DD} = 5V_{dc}$ , $I_{SS} = -10\mu A$ (Pin D/F 8) (Pin C 10)	-0.7	-3.5	V
78	Threshold Voltage P-Channel	$V_{THP}$	-	4(l)	'A' Input at Ground All Other Inputs: $V_{IN} = -5V_{dc}$ $V_{SS} = -5V_{dc}$ , $I_{DD} = 10\mu A$ (Pin D/F 1) (Pin C 20)	0.7	3.5	V

**NOTES:** See Page 22.



**FIGURE 4 - CIRCUITS FOR ELECTRICAL MEASUREMENTS**

**FIGURE 4(a) - FUNCTIONAL TEST TABLE**

PATTERN NO.	PIN NUMBERS												D.C. SUPPLY	
	2	3	4	5	6	7	9	10	11	12	14	15	8	1
1	1	0	1	0	1	0	0	1	0	1	0	1	0	V <sub>DD</sub>
2	0	1	1	0	1	0	0	1	0	1	0	1	0	0
3	1	0	1	0	1	0	0	1	0	1	0	1	0	0
4	1	0	0	1	1	0	0	1	0	1	0	1	0	0
5	1	0	1	0	1	0	0	1	0	1	0	1	0	0
6	1	0	1	0	0	1	0	1	0	1	0	1	0	0
7	1	0	1	0	1	0	0	1	0	1	0	1	0	0
8	1	0	1	0	1	0	1	0	0	1	0	1	0	0
9	1	0	1	0	1	0	0	1	0	1	0	1	0	0
10	1	0	1	0	1	0	1	0	1	0	0	1	0	0
11	1	0	1	0	1	0	0	1	0	1	0	1	0	0
12	1	0	1	0	1	0	0	1	0	1	1	0	0	0
13	1	0	1	0	1	0	0	1	0	1	0	1	0	0
14	0	1	0	1	0	1	1	0	1	0	1	0	0	0
15	1	0	0	1	0	1	1	0	1	0	1	0	0	0
16	0	1	0	1	0	1	1	0	1	0	1	0	0	0
17	0	1	1	0	0	1	1	0	1	0	1	0	0	0
18	0	1	0	1	0	1	1	0	1	0	1	0	0	0
19	0	1	0	1	1	0	1	0	1	0	1	0	0	0
20	0	1	0	1	0	1	1	0	1	0	1	0	0	0
21	0	1	0	1	0	1	0	1	1	0	1	0	0	0
22	0	1	0	1	0	1	1	0	1	0	1	0	0	0
23	0	1	0	1	0	1	1	0	0	1	1	0	0	0
24	0	1	0	1	0	1	1	0	1	0	1	0	0	0
25	0	1	0	1	0	1	1	0	1	0	0	1	0	0
26	0	1	0	1	0	1	1	0	1	0	1	0	0	0

**NOTES**

- Figure 4(a) illustrates one series of Test Patterns. Any other pattern series must be agreed with the Qualifying Space Agency and shall be included as an Appendix.
- Logic Level Definitions: 1 = V<sub>IH</sub> = V<sub>DD</sub>, 0 = V<sub>IL</sub> = V<sub>SS</sub>.

**FIGURE 4 - CIRCUITS FOR ELECTRICAL MEASUREMENTS (CONT'D)**

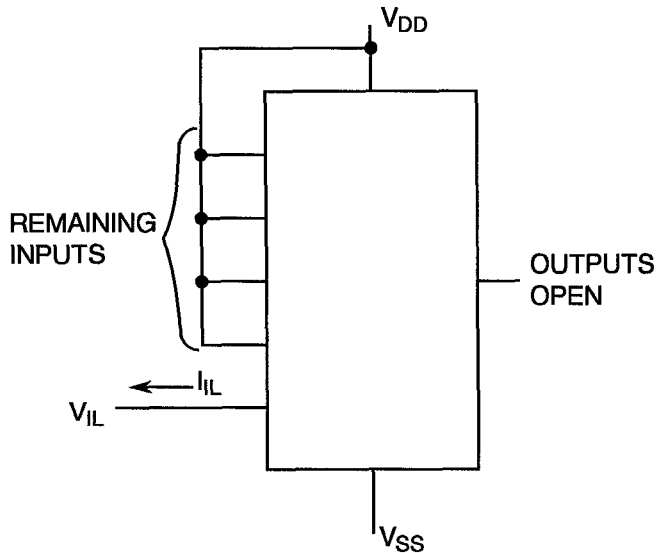
FIGURE 4(b) - QUIESCENT CURRENT TEST TABLE

PATTERN NO.	PIN NUMBERS											D.C. SUPPLY		
	INPUTS						OUTPUTS					8	1	
	3	5	7	9	11	14	2	4	6	10	12			15
1	0	0	0	0	0	0	1	1	1	1	1	1	0	$V_{DD}$
2	1	1	1	1	1	1	0	0	0	0	0	0	↓	↓

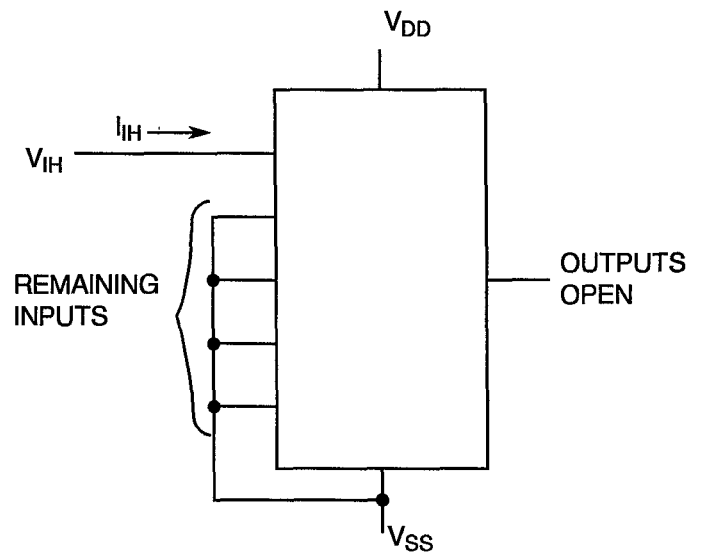
**NOTES**

1. Figure 4(b) illustrates one series of Test Patterns. Any other pattern series must be agreed with the Qualifying Space Agency and shall be included as an Appendix.
2. Logic Level Definitions: 1 =  $V_{IH} = V_{DD}$ , 0 =  $V_{IL} = V_{SS}$ .

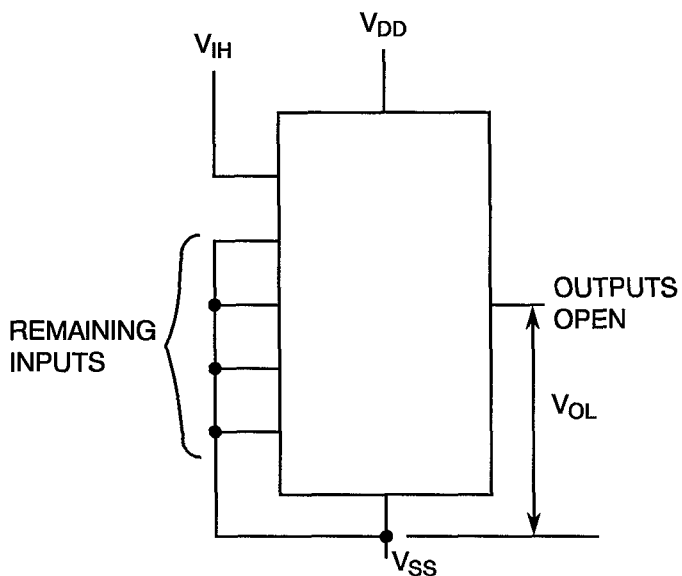


**FIGURE 4 - CIRCUITS FOR ELECTRICAL MEASUREMENTS (CONTINUED)**
**FIGURE 4(c) - LOW LEVEL INPUT CURRENT**

**NOTES**

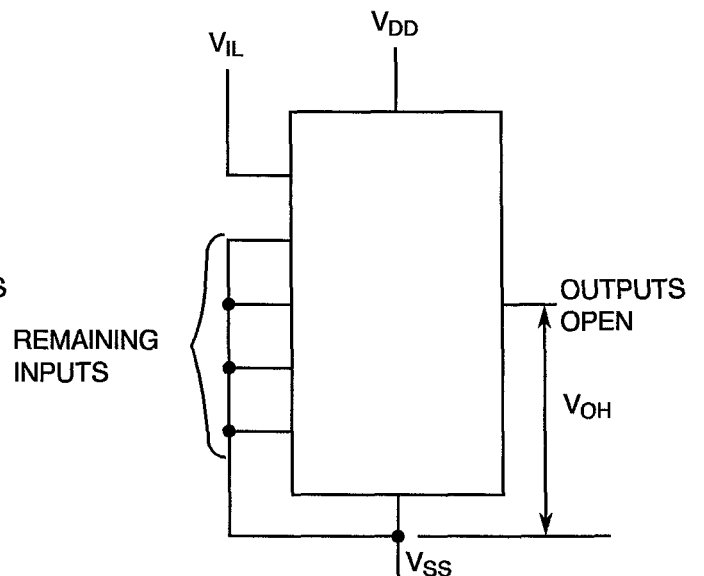
1. Each input to be tested separately.

**FIGURE 4(d) - HIGH LEVEL INPUT CURRENT**

**NOTES**

1. Each input to be tested separately.

**FIGURE 4(e) - LOW LEVEL OUTPUT VOLTAGE**

**NOTES**

1. Each output to be tested separately.

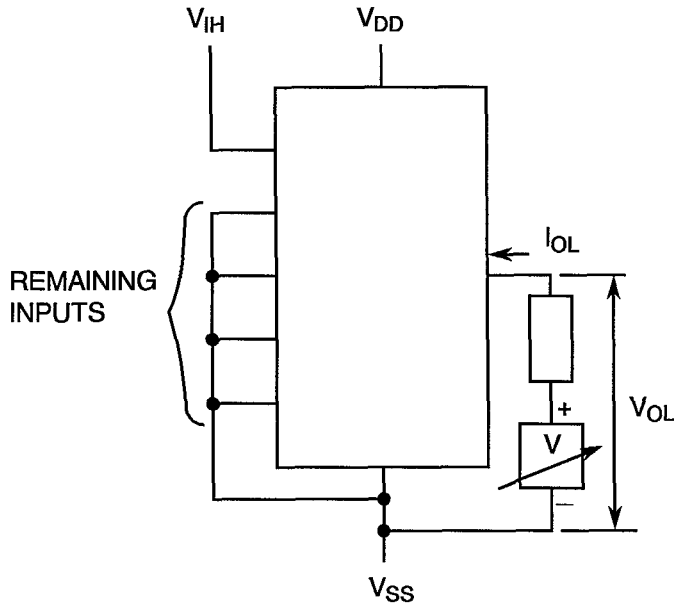
**FIGURE 4(f) - HIGH LEVEL OUTPUT VOLTAGE**

**NOTES**

1. Each output to be tested separately.



**FIGURE 4 - CIRCUITS FOR ELECTRICAL MEASUREMENTS (CONTINUED)**

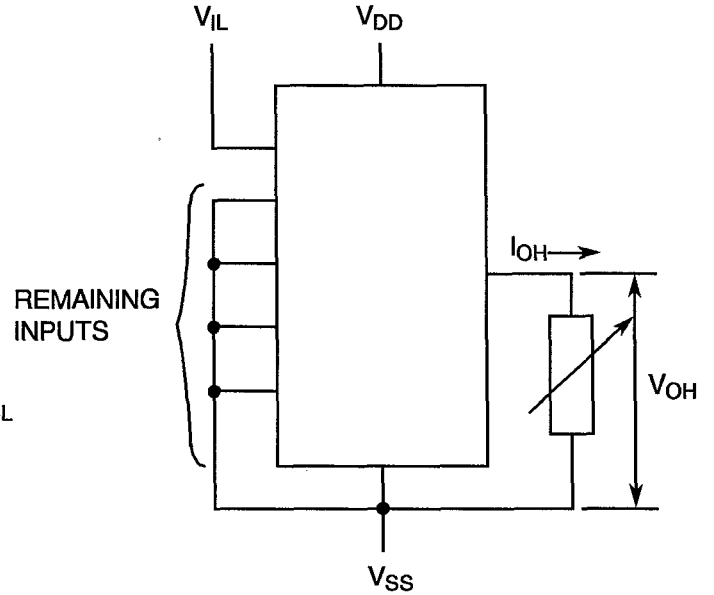
FIGURE 4(g) - LOW LEVEL OUTPUT CURRENT



**NOTES**

1. Each output to be tested separately.

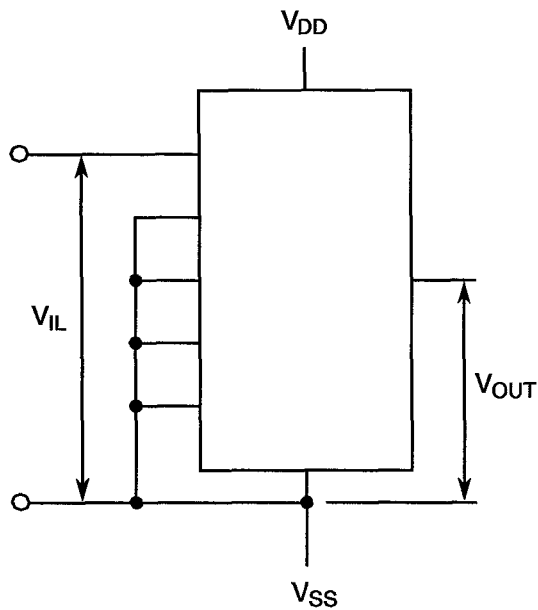
FIGURE 4(h) - HIGH LEVEL OUTPUT CURRENT



**NOTES**

1. Each output to be tested separately.

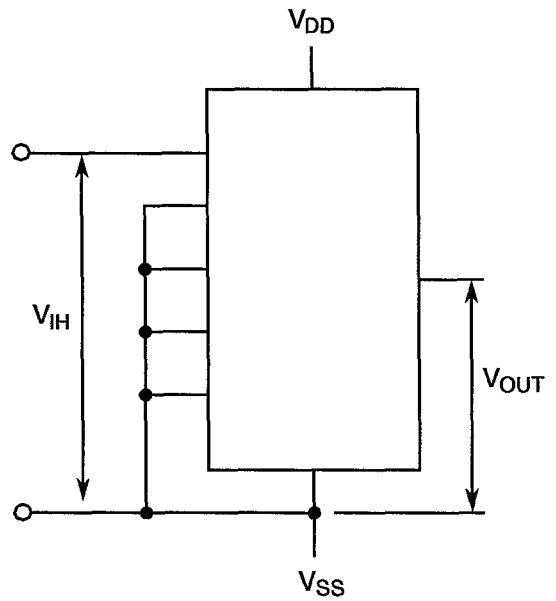
FIGURE 4(i) - LOW LEVEL INPUT VOLTAGE



**NOTES**

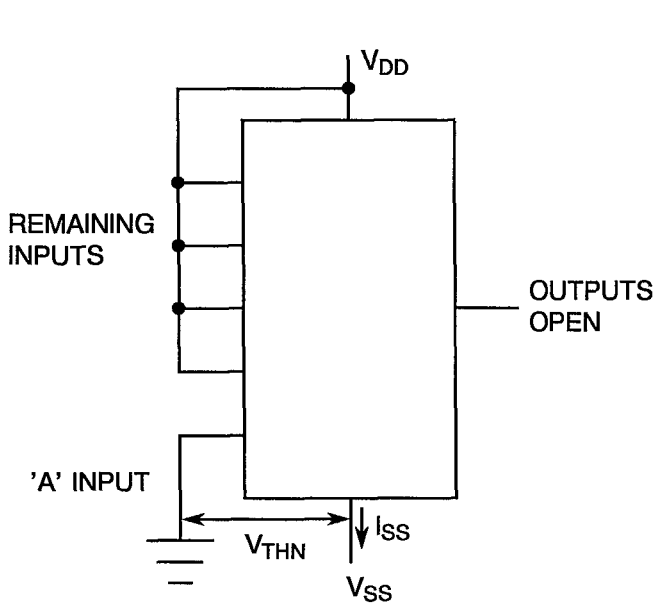
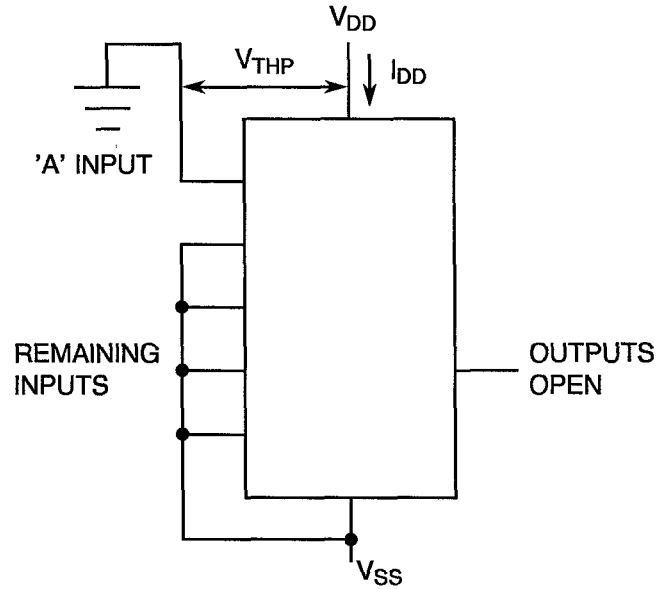
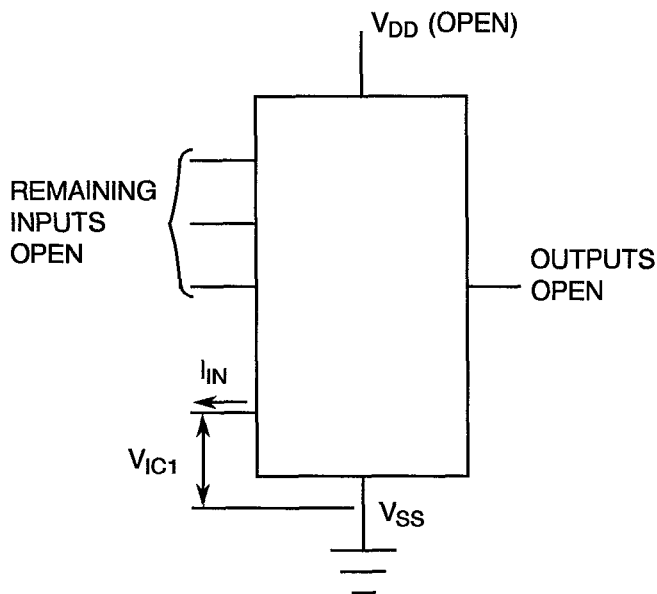
1. Each output to be tested separately.

FIGURE 4(j) - HIGH LEVEL INPUT VOLTAGE



**NOTES**

1. Each output to be tested separately.

**FIGURE 4 - CIRCUITS FOR ELECTRICAL MEASUREMENTS (CONTINUED)**
**FIGURE 4(k) - THRESHOLD VOLTAGE  
 N-CHANNEL**

**FIGURE 4(l) - THRESHOLD VOLTAGE  
 P-CHANNEL**

**FIGURE 4(m) - INPUT CLAMP VOLTAGE ( $V_{SS}$ )**

**NOTES**

1. Each input to be tested separately.

**FIGURE 4(n) - INPUT CLAMP VOLTAGE ( $V_{DD}$ )**

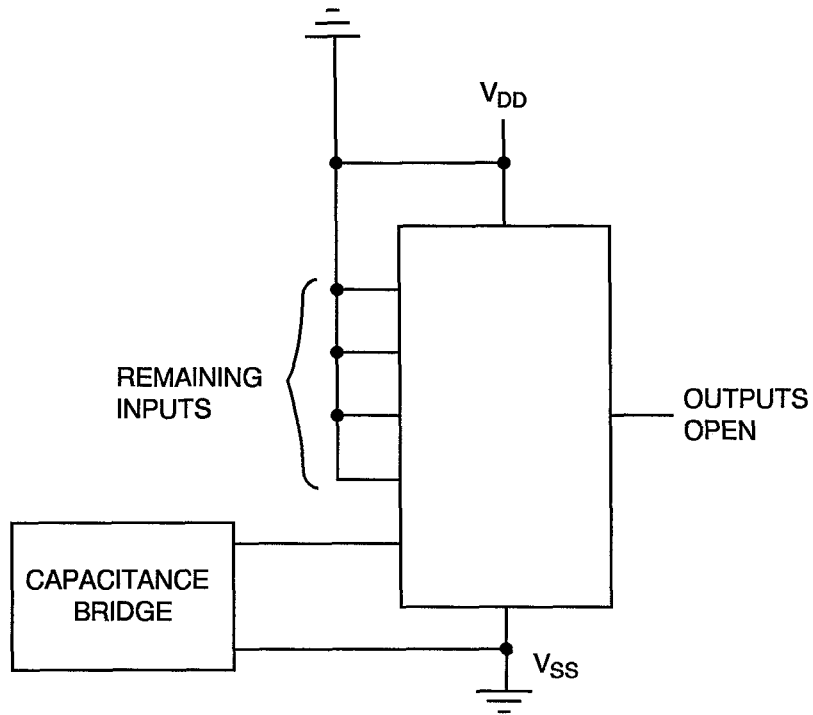
Not applicable.

**NOTES**

1. Each input to be tested separately.

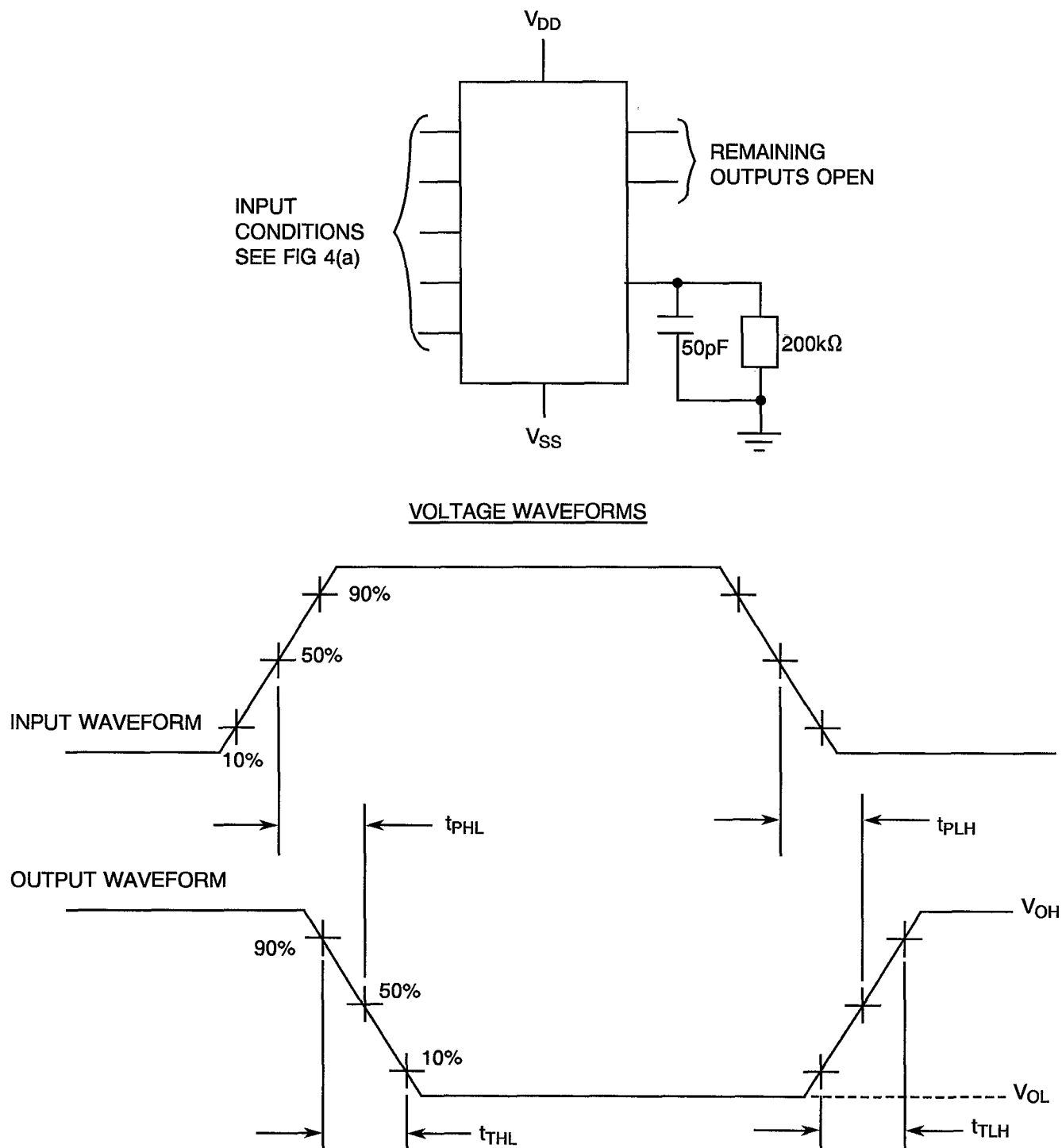
**FIGURE 4 - CIRCUITS FOR ELECTRICAL MEASUREMENTS (CONTINUED)**

**FIGURE 4(o) - INPUT CAPACITANCE**



**NOTES**

1. Each input to be tested separately.
2.  $f = 100\text{kHz to } 1\text{MHz}$ .

**FIGURE 4 - CIRCUITS FOR ELECTRICAL MEASUREMENTS (CONTINUED)**
**FIGURE 4(p) - PROPAGATION DELAY AND TRANSITION TIME**

**NOTES**

1. Pulse Generator -  $V_p = 0$  to  $V_{DD}$ ,  $t_r$  and  $t_f \leq 15$ ns,  $f = 500$ kHz.

**TABLE 4 - PARAMETER DRIFT VALUES**

NO.	CHARACTERISTICS	SYMBOL	SPEC. AND/OR TEST METHOD	TEST CONDITIONS	CHANGE LIMITS ( $\Delta$ )	UNIT
3 to 4	Quiescent Current	$I_{DD}$	As per Table 2	As per Table 2	$\pm 75$	nA
29 to 34	Output Drive Current N-Channel	$I_{OL1}$	As per Table 2	As per Table 2	$\pm 15$ (1)	%
41 to 46	Output Drive Current P-Channel	$I_{OH1}$	As per Table 2	As per Table 2	$\pm 15$ (1)	%
77	Threshold Voltage N-Channel	$V_{THN}$	As per Table 2	As per Table 2	$\pm 0.3$	V
78	Threshold Voltage P-Channel	$V_{THP}$	As per Table 2	As per Table 2	$\pm 0.3$	V

**NOTES**

1. Percentage of limit value if voltage is the measurement function.

**TABLE 5(a) - CONDITIONS FOR BURN-IN HIGH TEMPERATURE REVERSE BIAS, N-CHANNELS**

NO.	CHARACTERISTICS	SYMBOL	CONDITION	UNIT
1	Ambient Temperature	$T_{amb}$	+ 125 (+0-5)	°C
2	Outputs - (Pins D/F 2-4-6-10-12-15) (Pins C 2-5-7-14-16-19)	$V_{OUT}$	Open	-
3	Inputs - (Pins D/F 3-7-11) (Pins C 4-9-15)	$V_{IN}$	Ground	Vdc
4	Inputs - (Pins D/F 5-9-14) (Pins C 6-12-17)	$V_{IN}$	$V_{DD}$	Vdc
5	Positive Supply Voltage (Pin D/F 1) (Pin C 20)	$V_{DD}$	15	Vdc
6	Negative Supply Voltage (Pin D/F 8) (Pin C 10)	$V_{SS}$	Ground	Vdc

**NOTES**

1. Input Load = Protection Resistor = 2k $\Omega$  minimum to 47k $\Omega$  maximum.

**TABLE 5(b) - CONDITIONS FOR BURN-IN HIGH TEMPERATURE REVERSE BIAS, P-CHANNELS**

NO.	CHARACTERISTICS	SYMBOL	CONDITION	UNIT
1	Ambient Temperature	$T_{amb}$	+ 125 (+0-5)	°C
2	Outputs - (Pins D/F 2-4-6-10-12-15) (Pins C 2-5-7-14-16-19)	$V_{OUT}$	Open	-
3	Inputs - (Pins D/F 3-7-11) (Pins C 4-9-15)	$V_{IN}$	$V_{DD}$	Vdc
4	Inputs - (Pins D/F 5-9-14) (Pins C 6-12-17)	$V_{IN}$	Ground	Vdc
5	Positive Supply Voltage (Pin D/F 1) (Pin C 20)	$V_{DD}$	15	Vdc
6	Negative Supply Voltage (Pin D/F 8) (Pin C 10)	$V_{SS}$	Ground	Vdc

**NOTES**

1. Input Load = Protection Resistor = 2k $\Omega$  minimum to 47k $\Omega$  maximum.



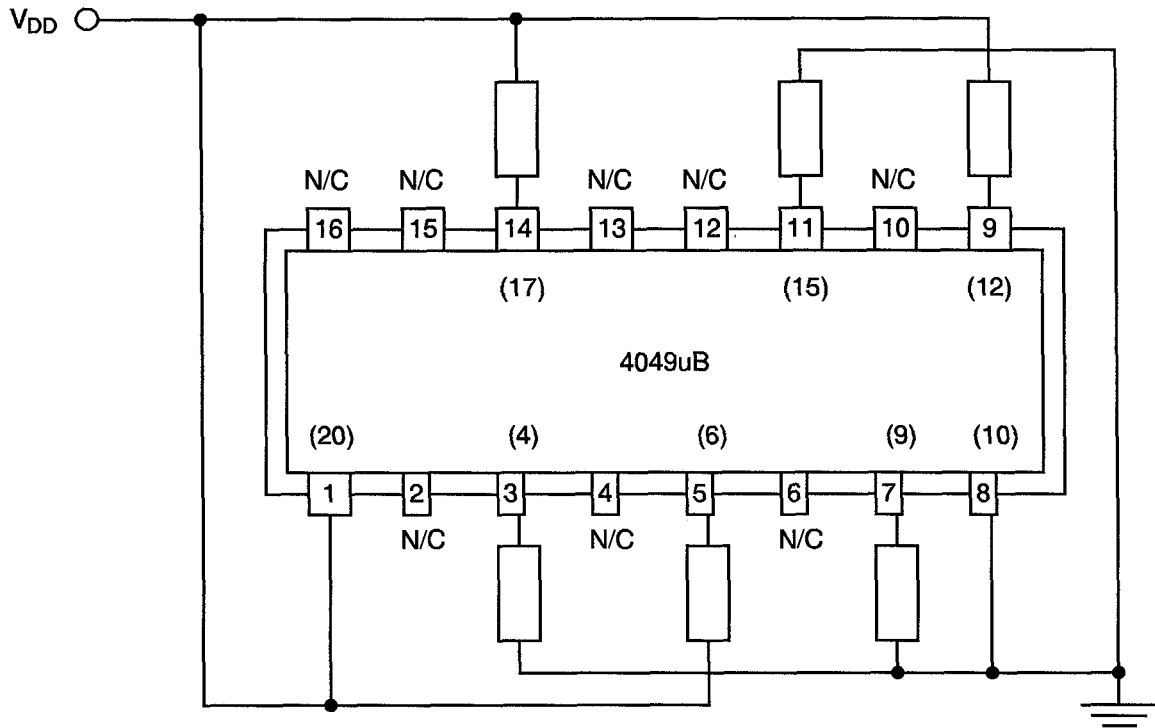
**TABLE 5(c) - CONDITIONS FOR BURN-IN DYNAMIC**

NO.	CHARACTERISTICS	SYMBOL	CONDITIONS	UNIT
1	Ambient Temperature	$T_{amb}$	+ 125 (+0-5)	°C
2	Outputs - (Pins D/F 2-4-6-10-12-15) (Pins C 2-5-7-14-16-19)	$V_{OUT}$	$V_{DD}/2$	Vdc
3	Inputs - (Pins D/F 3-5-7-9-11-14) (Pins C 4-6-7-12-15-17)	$V_{IN}$	$V_{GEN}$	Vac
4	Pulse Voltage	$V_{GEN}$	0 to $V_{DD}$	Vac
5	Pulse Frequency Square Wave	f	$50k \leq f < 1M$ , 50% Duty Cycle	Hz
6	Positive Supply Voltage (Pin D/F 1) (Pin C 20)	$V_{DD}$	15	Vdc
7	Negative Supply Voltage (Pin D/F 8) (Pin C 10)	$V_{SS}$	Ground	Vdc

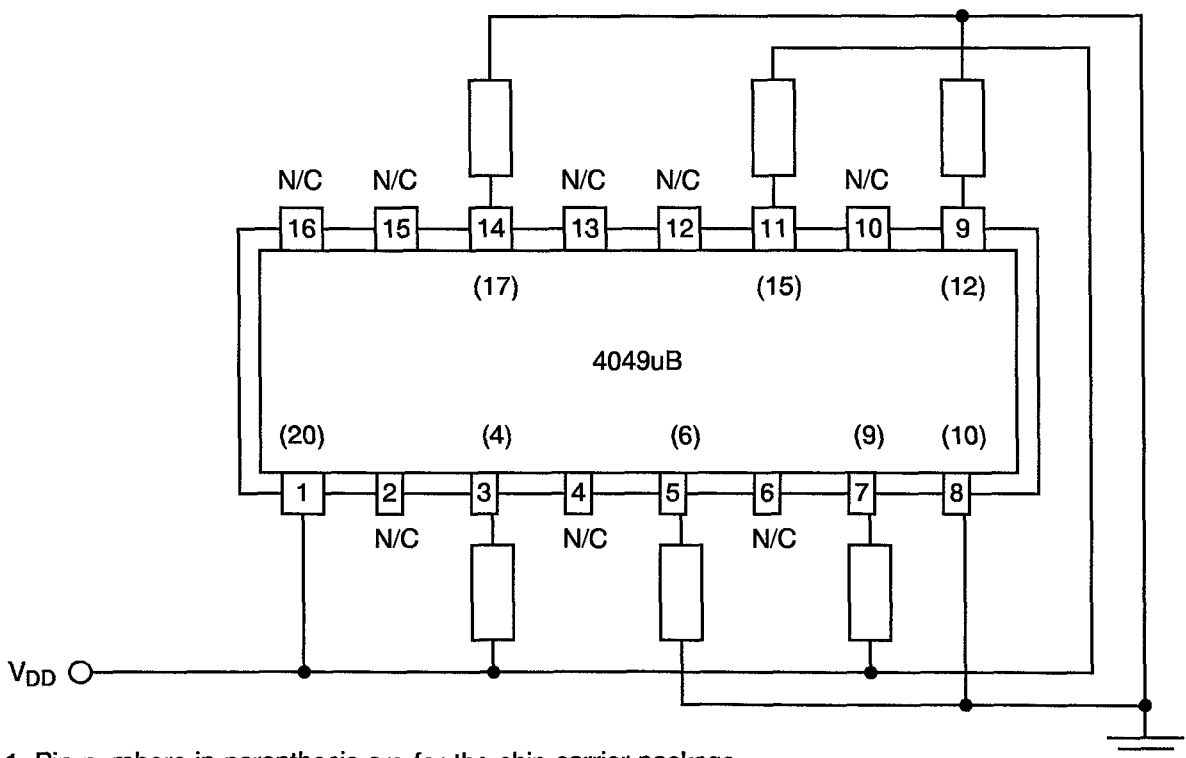
**NOTES**

1. Input Load = Output Load = 2kΩ minimum to 47kΩ maximum.



**FIGURE 5(a) - ELECTRICAL CIRCUIT FOR BURN-IN HIGH TEMPERATURE REVERSE BIAS, N-CHANNELS**


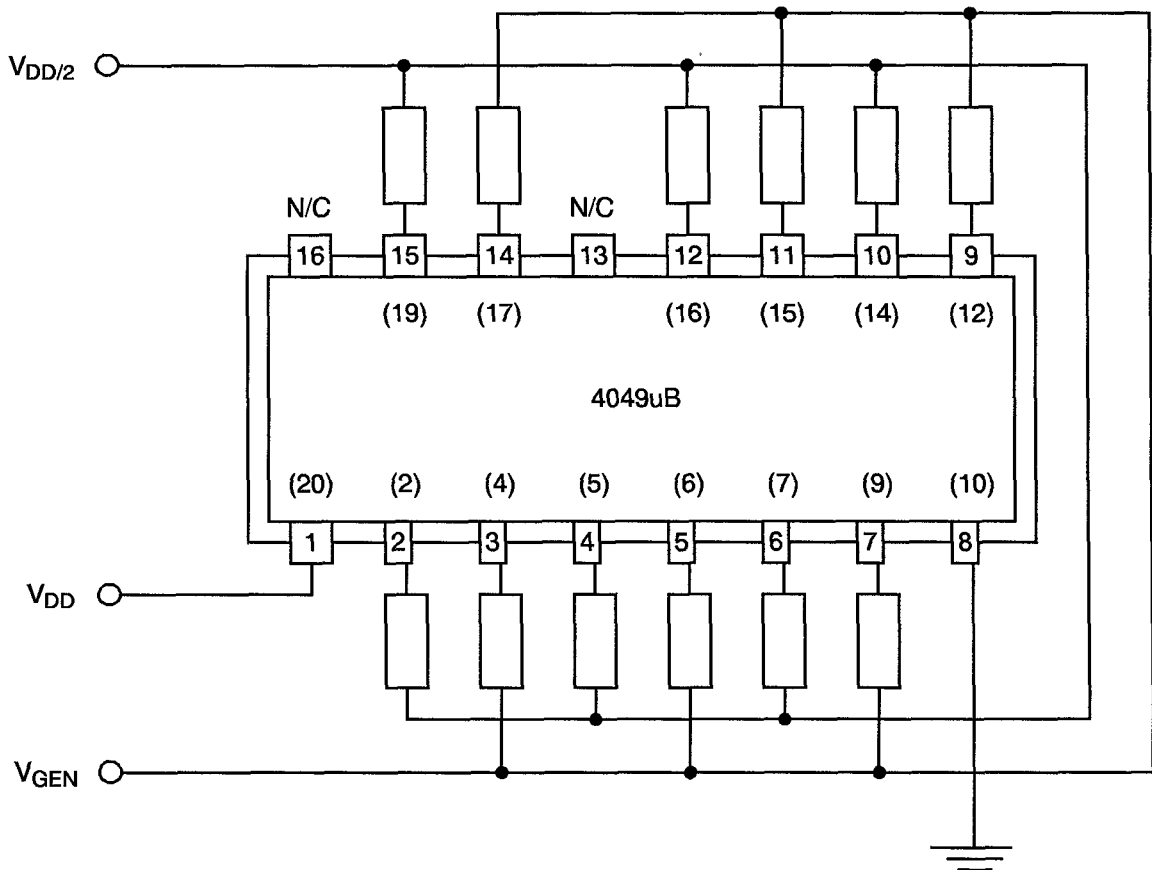
**NOTES** 1. Pin numbers in parenthesis are for the chip carrier package.

**FIGURE 5(b) - ELECTRICAL CIRCUIT FOR BURN-IN HIGH TEMPERATURE REVERSE BIAS, P-CHANNELS**


**NOTES** 1. Pin numbers in parenthesis are for the chip carrier package.



**FIGURE 5(c) - ELECTRICAL CIRCUIT FOR BURN-IN DYNAMIC**



**NOTES** 1. Pin numbers in parenthesis are for the chip carrier package.



#### 4.8 ENVIRONMENTAL AND ENDURANCE TESTS (CHARTS IV AND V OF ESA/SCC GENERIC SPECIFICATION NO. 9000)

##### 4.8.1 Electrical Measurements on Completion of Environmental Tests

The parameters to be measured on completion of environmental tests are scheduled in Table 6. Unless otherwise stated, the measurements shall be performed at  $T_{amb} = +22 \pm 3 \text{ }^\circ\text{C}$ .

##### 4.8.2 Electrical Measurements at Intermediate Points during Endurance Tests

The parameters to be measured at intermediate points during endurance tests are as scheduled in Table 6 of this specification.

##### 4.8.3 Electrical Measurements on Completion of Endurance Tests

The parameters to be measured on completion of endurance testing are as scheduled in Table 6 of this specification. Unless otherwise stated, the measurements shall be performed at  $T_{amb} = +22 \pm 3 \text{ }^\circ\text{C}$ .

##### 4.8.4 Conditions for Operating Life Test

The requirements for operating life testing are specified in Section 9 of ESA/SCC Generic Specification No. 9000. The conditions for operating life testing shall be as specified in Table 5(c) of this specification.

##### 4.8.5 Electrical Circuits for Operating Life Tests

Circuits for use in performing the operating life test are shown in Figure 5(c) of this specification.



##### 4.8.6 Conditions for High Temperature Storage Test

The requirements for the high temperature storage test are specified in ESA/SCC Generic Specification No. 9000. The temperature to be applied shall be the maximum storage temperature specified in Table 1(b) of this specification.

**TABLE 6 - ELECTRICAL MEASUREMENTS ON COMPLETION OF ENVIRONMENTAL TESTS AND AT INTERMEDIATE POINTS AND ON COMPLETION OF ENDURANCE TESTING**

NO.	CHARACTERISTICS	SYMBOL	SPEC. AND/OR TEST METHOD	TEST CONDITIONS	CHANGE LIMITS ( $\Delta$ )			UNIT
						MIN	MAX	
1	Functional Test	-	As per Table 2	As per Table 2	-	-	-	-
3 to 4	Quiescent Current	$I_{DD}$	As per Table 2	As per Table 2	$\pm 75$	-	-	nA
5 to 10	Input Current Low Level	$I_{IL}$	As per Table 2	As per Table 2	-	-	-50	nA
11 to 16	Input Current High Level	$I_{IH}$	As per Table 2	As per Table 2	-	-	50	nA
17 to 22	Output Voltage Low Level	$V_{OL}$	As per Table 2	As per Table 2	-	-	0.05	V
23 to 28	Output Voltage High Level	$V_{OH}$	As per Table 2	As per Table 2	-	14.95	-	V
29 to 34	Output Drive Current N-Channel	$I_{OL1}$	As per Table 2	As per Table 2	$\pm 15$ (1)	-	-	%
35 to 40	Output Drive Current N-Channel	$I_{OL2}$	As per Table 2	As per Table 2	$\pm 15$ (1)	-	-	%
41 to 46	Output Drive Current P-Channel	$I_{OH1}$	As per Table 2	As per Table 2	$\pm 15$ (1)	-	-	%
47 to 52	Output Drive Current P-Channel	$I_{OH2}$	As per Table 2	As per Table 2	$\pm 15$ (1)	-	-	%
53 to 58	Input Voltage Low Level (Noise Immunity)	$V_{IL1}$	As per Table 2	As per Table 2	-	4.5	-	V
65 to 70	Input Voltage High Level (Noise Immunity)	$V_{IH1}$	As per Table 2	As per Table 2	-	-	0.5	V
77	Threshold Voltage N-Channel	$V_{THN}$	As per Table 2	As per Table 2	$\pm 0.3$	-	-	V
78	Threshold Voltage P-Channel	$V_{THP}$	As per Table 2	As per Table 2	$\pm 0.3$	-	-	V

**NOTES** 1. Percentage of limit value if voltage is the measurement function.

 	<p>ESA/SCC Detail Specification No. 9202/045</p>	<p>PAGE 43 ISSUE 3</p>
---	--	----------------------------

**APPENDIX 'A'**

Page 1 of 1

**AGREED DEVIATIONS FOR STMICROELECTRONICS (F)**

ITEMS AFFECTED	DESCRIPTION OF DEVIATION
Para. 4.2.3	<p>Para. 9.23, High Temperature Reverse Bias Burn-in: The temperature limits of MIL-STD-883, Para. 4.5.8(c) may be used.</p> <p>Para. 9.24, Power Burn-in: The temperature limits of MIL-STD-883, Para. 4.5.8(c) may be used.</p>
Para. 4.2.4	Para. 9.21.1, Operating Life during Qualification Testing: The temperature limits of MIL-STD-883, Para. 4.5.8(c) may be used.
Para. 4.2.5	Para. 9.21.2, Operating Life during Lot Acceptance Testing: The temperature limits of MIL-STD-883, Para. 4.5.8(c) may be used.