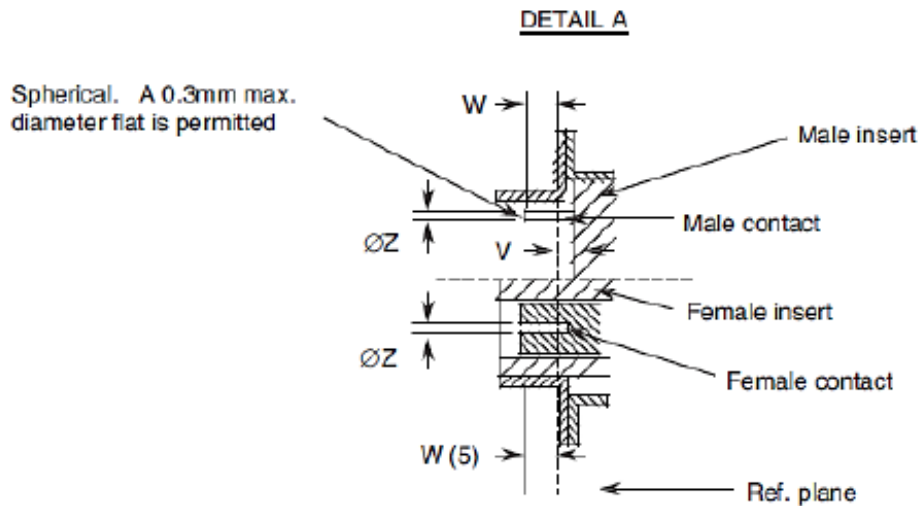
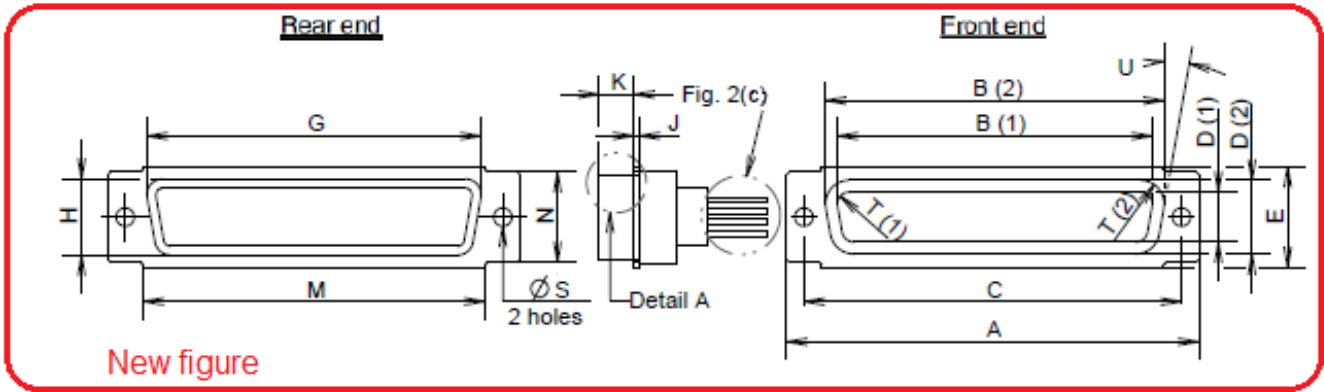


SHELL SIZE F

Standard Mounting Holes



Connector Type	Contact Type	Symbol/ Dim.	A	B	C	D	E	F	G	H	J	K	M	N	ØS	I	U	V	W	ØZ
Plug	Male	min.	68.94	56.06	63.37	12.65	16.92	14.94	58.75	5.45	0.74	5.69	57.25	15	2.92	2.59	9	0	3.81	0.75
		max.	69.7	56.31	63.63	12.9	17.68	15.75	59.25	5.95	1.24	5.99	57.75	15.5	3.2	2.69	11	0.6	-	0.77
Receptacle	Female	min.	68.94	55.47	63.37	12.19	16.92	14.94	58.75	5.45	0.51	6.05	57.25	15	2.92	2.46	9	-	3.63	0.89
		max.	69.7	55.73	63.63	12.45	17.68	15.75	59.25	5.95	1.02	6.3	57.75	15.5	3.2	2.62	11	-	-	0.95

Delete "F" column and added "M" and "N" columns
 Change "G" from 57.25 - 57,75 to 58.75 - 59.25