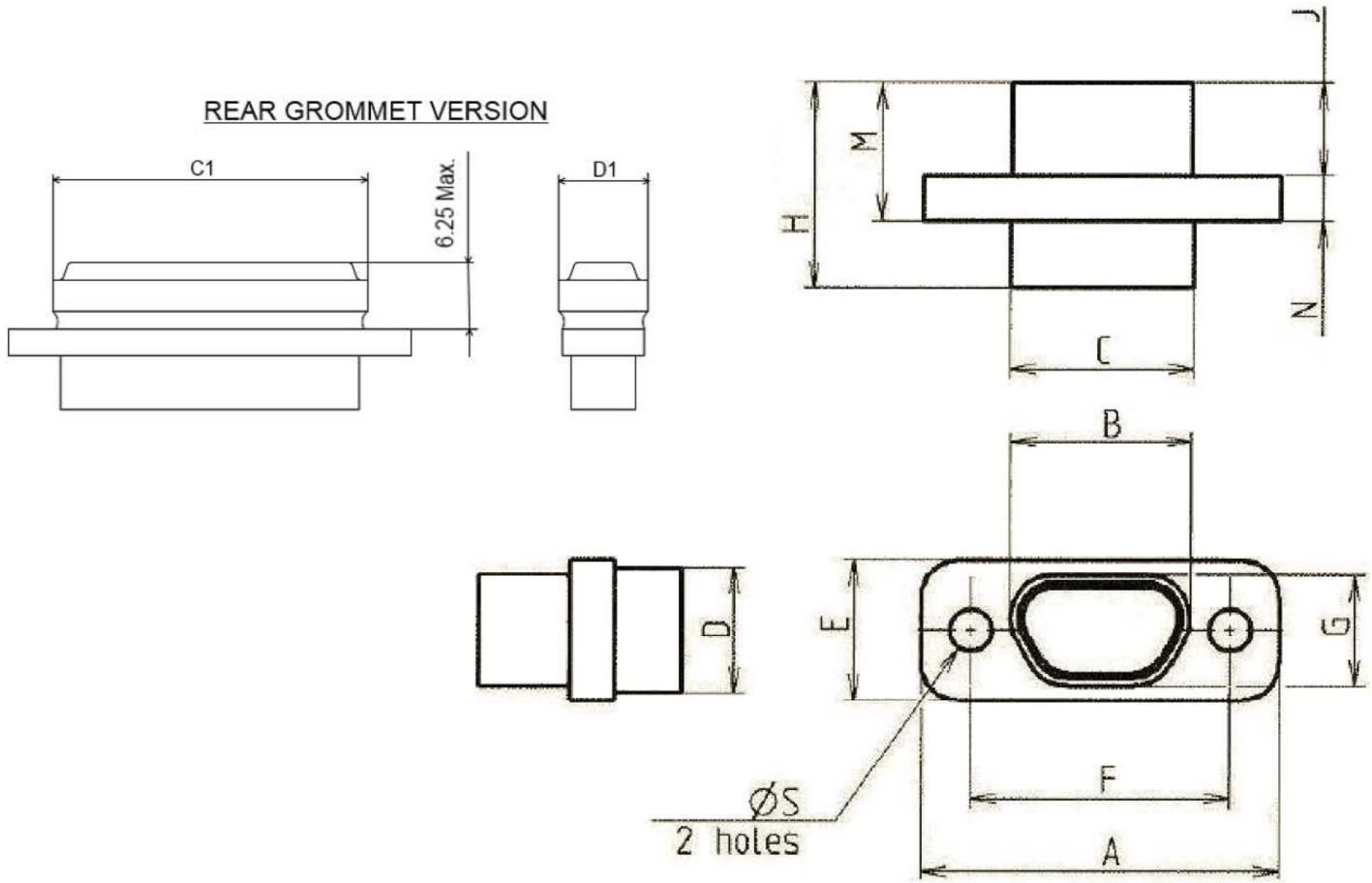


RECEPTACLE FEMALE CONTACTS



Shell Size	A Max	B Max	C Max	D Max	C1 Max	D1 Max	E Max	E		G Max	H Max	J Max	M Max	N		ØS (Note 2)	
								Min	Max					Min	Max	Min	Max
A	19.94	10.16	10.16	6.86	11.7	8.45	7.82	14.22	14.48	6.38	11.11	5.05	7.54	2.23	2.49	2.23	2.39
B	23.75	13.97	13.97	6.86	15.3	8.45	7.82	18.03	18.29	6.38	11.11	5.05	7.54	2.23	2.49	2.23	2.39
C	27.56	17.78	17.78	6.86	19.1	8.45	7.82	21.84	22.1	6.38	11.11	5.05	7.54	2.23	2.49	2.23	2.39
D	30.1	20.32	20.32	6.86	21.85	8.45	7.82	24.38	24.64	6.38	11.11	5.05	7.54	2.23	2.49	2.23	2.39
E	33.91	24.13	24.13	6.86	25.7	8.45	7.82	28.19	28.45	6.38	11.11	5.05	7.54	2.23	2.49	2.23	2.39
F	37.72	27.94	27.94	6.86	29.5	8.45	7.82	32	32.26	6.38	11.11	5.05	7.54	2.23	2.49	2.23	2.39
G	36.45	26.67	26.67	7.87	28.25	9.45	8.92	30.73	30.99	7.47	11.11	5.05	7.54	2.23	2.49	2.23	2.39
H	48.55	38.65	38.65	7.87	40.3	9.45	8.92	43.23	43.49	7.47	11.11	5.05	7.54	2.23	2.49	2.23	2.39
J	62.75	46.8	47.65	11.25	49.25	12.85	12.5	54.72	54.98	10.94	11.11	5.05	7.54	2.23	2.49	3.68	3.83

NOTES:

1. All dimensions are in millimetres.
2. For shell size H only, the mounting holes may be as shown below. Such holes shall be centred as per the circular holes shown above.