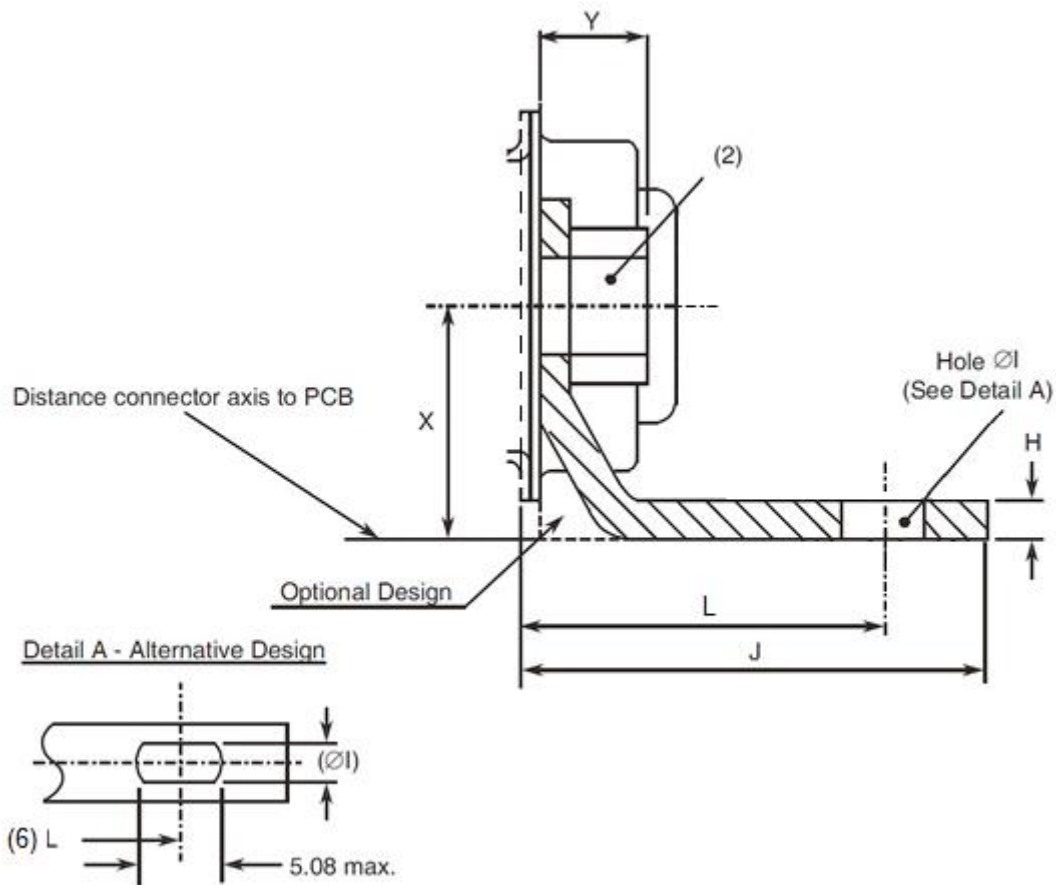


**POWER AND COAXIALS CONTACTS WITH 90° BRACKET AND SCREW LOCKS  
(SIZES A, B AND C) (CODES 7N, 9N)**



Symbol / Dim.	H	ØI	J		L		X (5)	Y
			(3)	(4)	(3)	(4)		
min.	1	3.12	-	-	11.37	11.57	7.2	-
max.	3.2	3.32	15.6	15.8	11.72	11.92	7.5	7

**NOTES:**

- All dimensions are in mm.
- Code 7N: Nut 4-40.  
Codes 9N: Nut M3.
- Connectors equipped with female contacts all sizes and connectors equipped with male contacts size A (Contact arrangements 3W3 and 3WK3).
- Connectors equipped with male contacts sizes B (contact arrangement 5W5) and C (contact arrangement 8W8).
- Typical = 7.35.
- This alternative design takes into account the different possible values of L.
- Figure is shown without contacts.