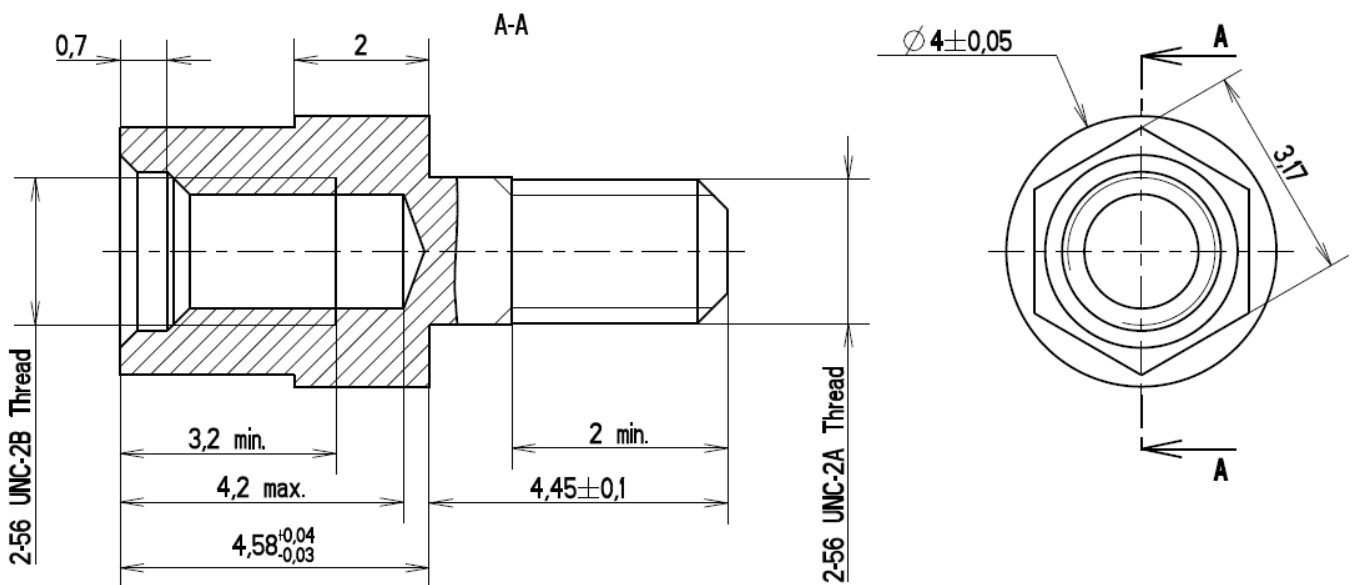


NOTES:

1. All dimensions in mm.
2. Weight:
Screwlock 0.79g
Clip 0.14g
- 3.

Torque Values	Min (Nm)	Max (Nm)
Screwlock male side	0.36	0.4
Screwlock female side	0.28	0.32

VARIANT 11 - SCREWLOCK FOR CONNECTORS FR136/FR139



NOTES:

1. All dimensions in mm.
2. Weight:
Screwlock 0.43g
- 3.

Torque Values	Min (Nm)	Max (Nm)
Screwlock male side	0.44	0.48
Screwlock female side	0.28	0.32