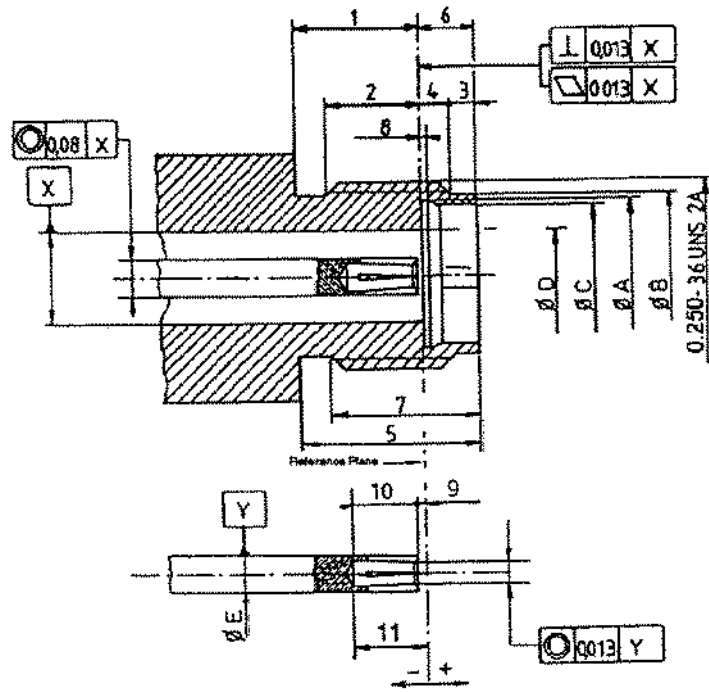
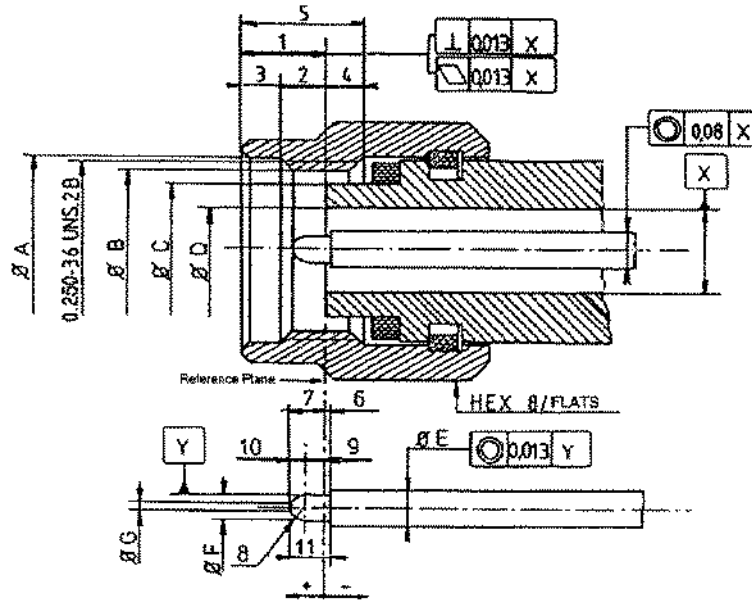


**FIGURE 2 - PHYSICAL DIMENSIONS**  
**FIGURE 2(a) - CONNECTOR INTERFACE - FEMALE CONTACT**



Symbol	Millimetres		Notes
	Min.	Max.	
1	3.82	4.32	
2	2.87	3.27	
3	0.65	0.95	
4	0.93	1.33	
5	5.8	6.2	
6	1.88	1.98	
7	4.85	5.15	
8	0.3	0.5	
9	0.0	0.08	
<b>10</b>	<del>2.4</del> 2.8	<del>2.6</del> 3.2	To be compliant with MIL STD 348 SMK specification
11	2.4	2.68	
ØA	4.8	5.0	
ØB	5.3	5.35	
ØC	4.6	4.63	
ØD	2.905	2.945	
ØE	1.26	1.28	

FIGURE 2(a) - CONNECTOR INTERFACE - MALE CONTACT



Symbol	Millimetres		Notes
	Min.	Max.	
1	2.63	3.25	
2	1.58	2.2	
3	0.75	1.15	
4	0.85	1.47	
5	3.8	4.2	
6	0.0	0.08	
7	1.22	1.4	
8	R 0.8	R 0.9	Radius
9	0.493	0.784	
10	0.616	0.727	
11	<del>1.3</del> 1.5	<del>1.4</del> 1.6	To be compliant with MIL STD 348 SMK specification
ØA	6.6	6.7	
ØB	5.59	-	
ØC	4.55	4.58	
ØD	2.905	2.94	
ØE	1.26	1.28	
ØF	0.92	0.94	
ØG	0.2	0.34	