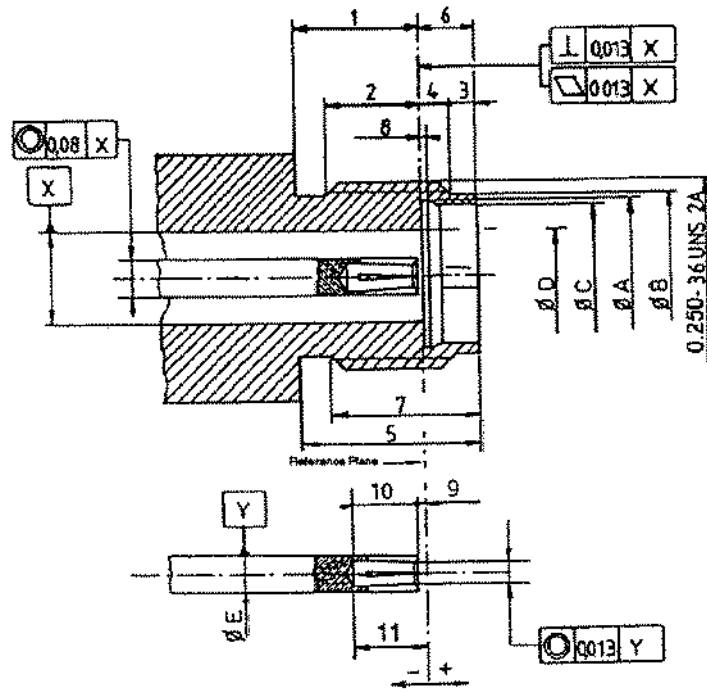


FIGURE 2 - PHYSICAL DIMENSIONS
FIGURE 2(a) - CONNECTOR INTERFACE - FEMALE CONTACT



Symbol	Millimetres		Notes
	Min.	Max.	
1	3.82	4.32	
2	2.87	3.27	
3	0.65	0.95	
4	0.93	1.33	
5	5.8	6.2	
6	1.88	1.98	
7	4.85	5.15	
8	0.3	0.5	
9	0.0	0.08	
10	2.4 2.8	2.6 3.2	To be compliant with MIL STD 348 SMK specification
11	2.4	2.68	
ØA	4.8	5.0	
ØB	5.3	5.35	
ØC	4.6	4.63	
ØD	2.905	2.945	
ØE	1.26	1.28	