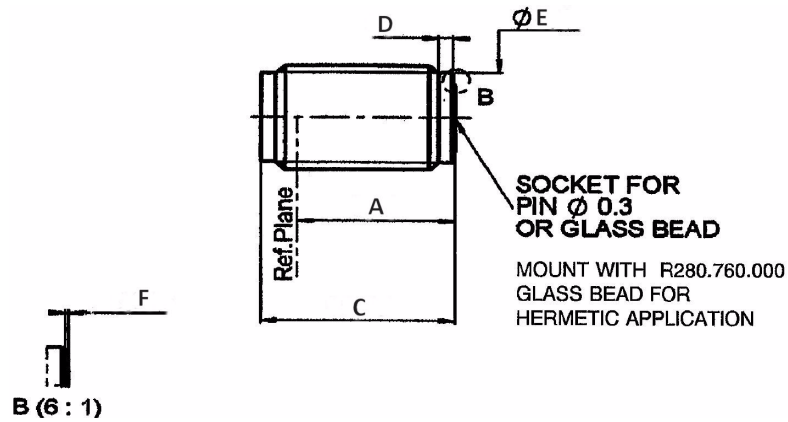


VARIANT 03 - SCREW JACK RECEPTACLE FOR 0.3mm DIA. PIN



Symbol	Millimetres		Notes
	Min.	Max.	
A	8.89	8.96	
C	10.77	10.94	
D	6.19 0.65	6.26 0.95	Typing error
ØE	5.3	5.35	
F	0.09	0.1	

NOTES:

1. All dimensions are in mm.

Electrical Characteristics	Values	Units
Frequency Range	0-40	GHz
Maximum VSWR	$1.05 + 0.003 \times f$ (GHz)	-
Maximum Insertion Loss	$0.03 \times \sqrt{f}$ (GHz)	dB
RF Leakage	$-(90 - f)$ (GHz)	dB
Dielectric Withstanding Voltage (Sea level) (Voltage Proof Test)	750	Vrms
Power Handling Category (Figure 1(a))	Category III	-
Mechanical Characteristics	Values	Units
Minimum Centre Contact Retention Force (axial)	27	N
Minimum Centre Contact Retention Torque	Not applicable	N.cm
Minimum Cable Retention Force	Not applicable	N
Minimum Cable Retention Torque Value	Not applicable	N.cm
Maximum weight	2	g
Other Characteristics	Values	Units
Rapid Change of Temperature - peak value	165	°C
Operating Temperature Range	-65 to +165	°C
Maximum Leakage (panel sealed connectors)	Not applicable	-
Maximum Leakage (hermetically sealed connectors)	Not applicable	-
Solderability	Not applicable	-
Soldering proof	Not applicable	-
Cables used	Not applicable	-