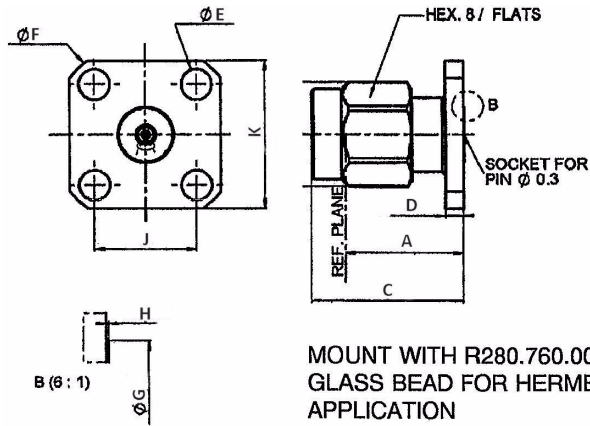


VARIANT 07 - SQUARE FLANGE PLUG RECEPTACLE FOR 0.3mm DIA. PIN



Symbol	Millimetres		Notes
	Min.	Max.	
A	10.03	10.09	
C	12.93	12.99	
D	1.52 1.4	1.54 1.7	
ØE	2.57 2.55	2.7	4 Holes
ØF	15.9	16.1	
ØG	4.05 4.46	4.85 4.66	
H	0.09 0.055	0.1 0.135	
J	8.59	8.69	2 Places
K	12.6	12.8	2 Places

NOTES:

- All dimensions are in mm.

Electrical Characteristics	Values	Units
Frequency Range	0-40	GHz
Maximum VSWR	$1.05 + 0.005 \times f$ (GHz)	-
Maximum Insertion Loss	$0.03 \times \sqrt{f}$ (GHz)	dB
RF Leakage	$-(90 - f)$ (GHz)	dB
Dielectric Withstanding Voltage (Sea level) (Voltage Proof Test)	750	Vrms
Power Handling Category (Figure 1(a))	Category III	-
Mechanical Characteristics	Values	Units
Minimum Centre Contact Retention Force (axial)	27	N
Minimum Centre Contact Retention Torque	Not applicable	N.cm
Minimum Cable Retention Force	Not applicable	N
Minimum Cable Retention Torque Value	Not applicable	N.cm
Maximum weight	4.8	g
Other Characteristics	Values	Units
Rapid Change of Temperature - peak value	165	°C
Operating Temperature Range	-65 to +165	°C
Maximum Leakage (panel sealed connectors)	Not applicable	-
Maximum Leakage (hermetically sealed connectors)	Not applicable	-
Solderability	Applicable	-
Soldering proof	Applicable	-
Cables used	Not applicable	-