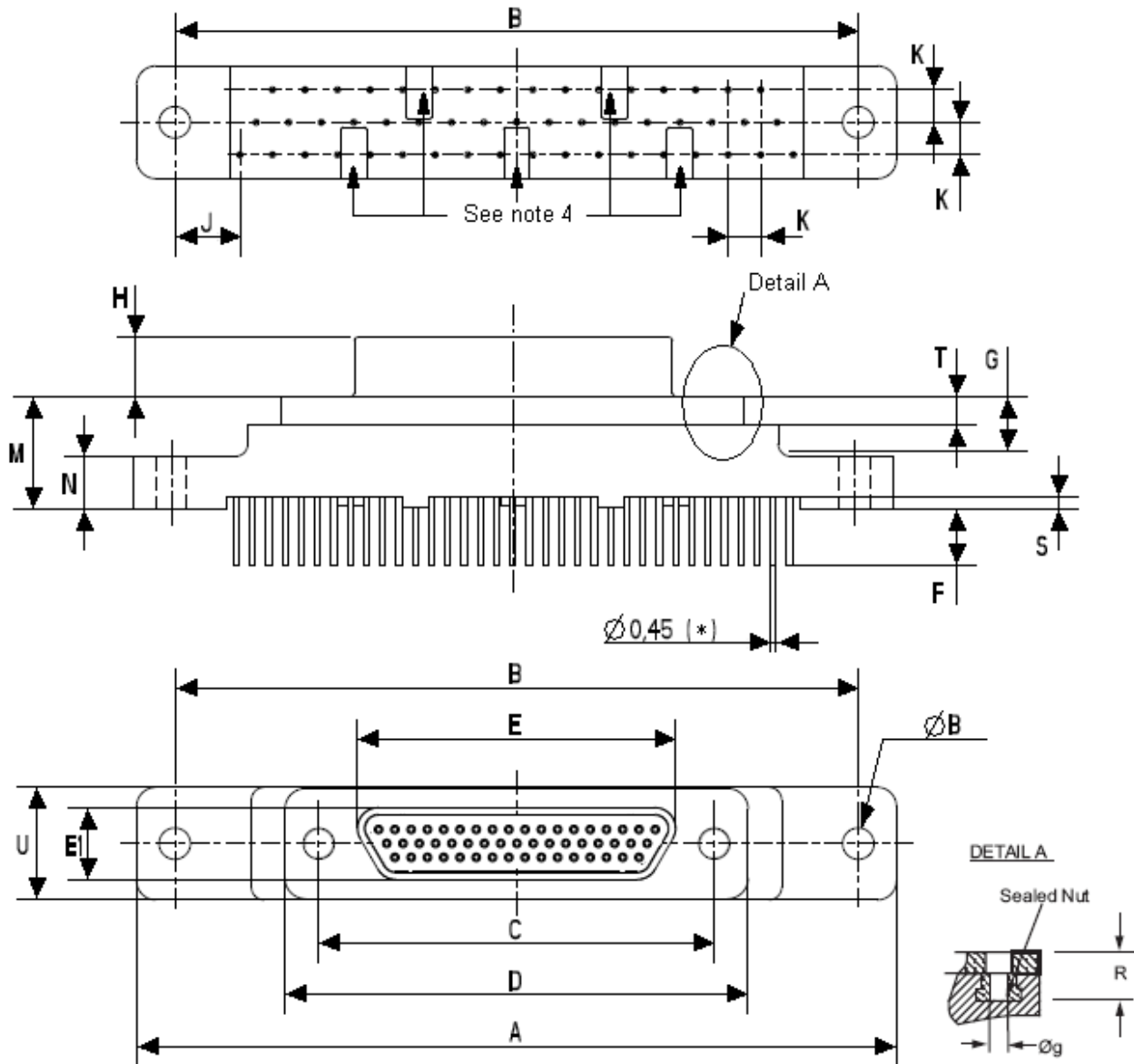


**FIGURE 2.2I - CONNECTORS TYPE - FR139  
PLUG MALE CONTACTS - SIZE 51**



Shell Size	A		B		ØB (3)		C		D	E	E1	F		G
	Max.	Min.	Max.	Min.	Max.	Min.	Max.	Max.	Max.	Max.	Min.	Max.	Min.	
51	59.44	53.16	53.52	2.31	2.59	30.73	30.99	36.5	24.97	5.78	4.15	4.85	4	
	H	J	K	M		N		R	S		T		U	
	Max.	Typ.	Typ.	Min.	Max.	Min.	Max.	Max.	Min.	Max.	Min.	Max.	Max.	
	4.72	5.08	2.54	8.62	9.02	4	4.2	4	0.9	1.1	2.23	2.49	9	

**NOTES:**

1. All dimensions are in millimetres.
2. Øg: 2-56-UNC-2B.
3. Maximum torque 0.44 Nm.
4. Standoffs 4,25 x 2,10 maximum dimensions ( 5 places)