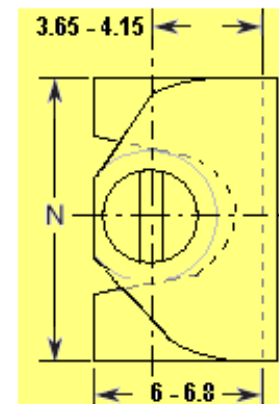
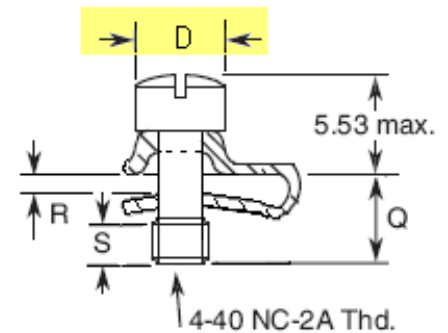
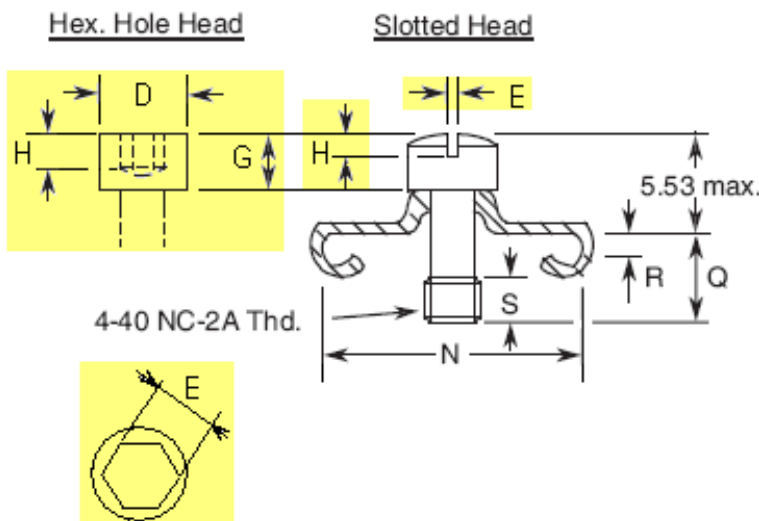


VARIANT	DESCRIPTION		WEIGHT (g)
69	Screw Lock Assembly Brass (male/hex. hole head screw)	With Back Shell	0.85
70	Screw Lock Assembly Brass (male/hex. hole head screw)	With Back Shell	0.85
71	Screw Lock Assembly Brass (male/hex. hole head screw)	With Back Shell	1
72	Screw Lock Assembly Brass (male/hex. hole head screw)	With Back Shell	1
73	Screw Lock Assembly Stainless Steel (Male/hex. hole head screw)	Without Back Shell	0.8
74	Screw Lock Assembly Stainless Steel (Male/hex. hole head screw)	Without Back Shell	0.8
75	Screw Lock Assembly Stainless Steel (Male/hex. hole head screw)	Without Back Shell	1
76	Screw Lock Assembly Stainless Steel (Male/hex. hole head screw)	Without Back Shell	1
77	Screw Lock Assembly Stainless Steel (Male/hex. hole head screw)	With Back Shell	0.8
78	Screw Lock Assembly Stainless Steel (Male/hex. hole head screw)	With Back Shell	0.8
79	Screw Lock Assembly Stainless Steel (Male/hex. hole head screw)	With Back Shell	1
80	Screw Lock Assembly Stainless Steel (Male/hex. hole head screw)	With Back Shell	1
81	Potting shell	Size E	N/A
82	Back-Shell for Strapped Connections	Size E	6.3
83	Cable Clamp, Straight	Size E	8.3
84	Dust Cap (Female)	Size F	N/A
85	Dust Cap (Male)	Size F	N/A
86	Screw Lock Assembly Brass (Male/slotted head screw)	Without Back Shell	0.8
87	Screw Lock Assembly Brass (Male/slotted head screw)	With Back Shell	1
88	Screw Lock Assembly Brass (Male/hex. hole head screw)	Without Back Shell	0.8
89	Screw Lock Assembly Brass (Male/hex. hole head screw)	With Back Shell	1
90	Potting shell	Size F	N/A
91	Back-Shell for Strapped Connections	Size F	36
92	Cable Clamp, Straight	Size F	42
93	Cable Clamp, Round	Size F	21
94	Deep Straight Clamp	Size F	58
95	Right Angle Clamp	Size F	48

**MALE**

**Configuration 1**

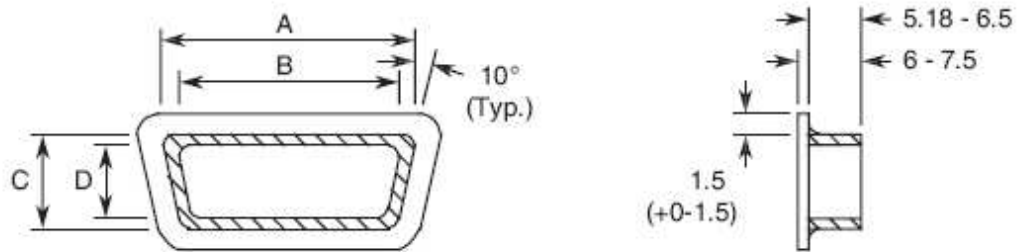
**Configuration 2**



	D		E (across flats)		G		H	
	MIN.	MAX.	MIN.	MAX.	MIN.	MAX.	MIN.	MAX.
Slotted Head	3.9	4.65	0.75	1.1	1.9	2.71	0.75	1.1
Hex. Hole Head	4.32	4.6	2.02	2.08	2.36	2.9	1	1.4

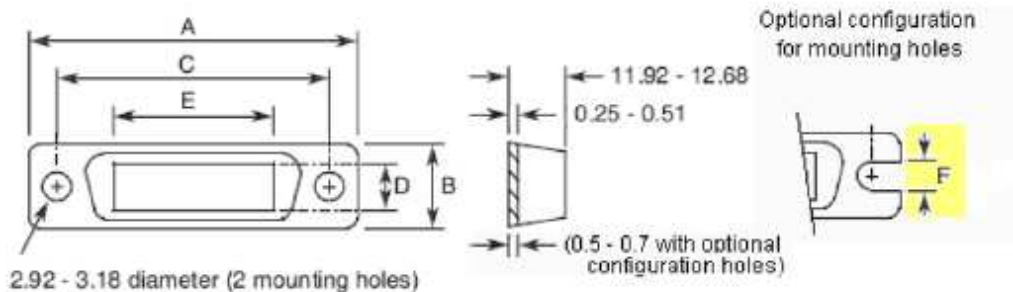
	VARIANT				USE WITH SHELL SIZE	N		Q		R		S
	BRASS	S.S.	Slot.	Hex.		MIN.	MAX.	MIN.	MAX.	MIN.	MAX.	MIN.
<b>Configuration 1</b>	Slot.	Hex.	Slot.	Hex.	Without Back Shell							
	02	65	49	73	DA DE: (P or S) DB, DC: S	12.96	13.72	3.22	3.98	0.75	0.95	2.8
	03	65	50	74	DB DC: P	12.96	13.72	3.22	3.98	0.95	1.15	2.8
	04	67	51	75	DD: S	15.75	16.26	4.02	4.78	0.75	0.95	2.8
	05	68	52	76	DD: P	15.75	16.26	4.02	4.78	0.95	1.15	2.8
	Slot.	Hex.	Slot.	Hex.	With Back Shell							
	44	69	54	77	DA DE: (P or S) DB, DC: S	12.96	13.72	4.02	4.78	1.75	1.95	2.8
	45	70	55	78	DB DC: P	12.96	13.72	4.02	4.78	2	2.2	2.8
46	71	55	79	DD: S	15.75	16.26	4.02	4.78	1.75	1.95	2.8	
47	72	57	80	Dd: P	15.75	16.26	4.02	4.78	2	2.2	2.8	
<b>Confi.2</b>	Slot.	Hex.	Slot.	Hex.								
	86	88	—	—	All Sizes Without Back Shell	12.17	12.93	3.22	3.98	0.7	0.9	2.8
	87	89	—	—	All Sizes With Back Shell	12.17	12.93	4.02	4.78	1.3	1.5	2.8

FIGURE 2(b) - DUST CAPS (All dimensions in millimetres)



VARIANT	A		B		C		D	
	MIN.	MAX.	MIN.	MAX.	MIN.	MAX.	MIN.	MAX.
07	17.3	17.9	15.6	16.2	8.9	9.5	7.2	7.8
08	18.7	19.3	17	17.6	10.2	10.8	8.5	9.1
09	25.7	26.3	24	24.6	8.9	9.5	7.2	7.8
10	27.1	27.7	25.4	26	10.2	10.8	8.5	9.1
11	39.4	40	37.7	38.3	8.9	9.5	7.2	7.8
12	41.2	41.8	39.5	40.1	10.2	10.8	8.9	9.6
13	55.8	56.4	54.1	54.7	8.9	9.5	7.2	7.8
14	57.6	58.2	56	56	10.2	10.8	8.9	9.6
15	53.4	54	51.7	52.3	11.7	12.3	10	10.6
16	55	55.6	53.3	53.9	13.3	13.9	11.6	12.2
84	57	57.6	55.3	55.9	13.4	14	11.7	12.3
85	58.9	59.5	57.2	57.8	15.4	16	13.7	14.3

FIGURE 2(c) - POTTING SHELLS (All dimensions in millimetres)



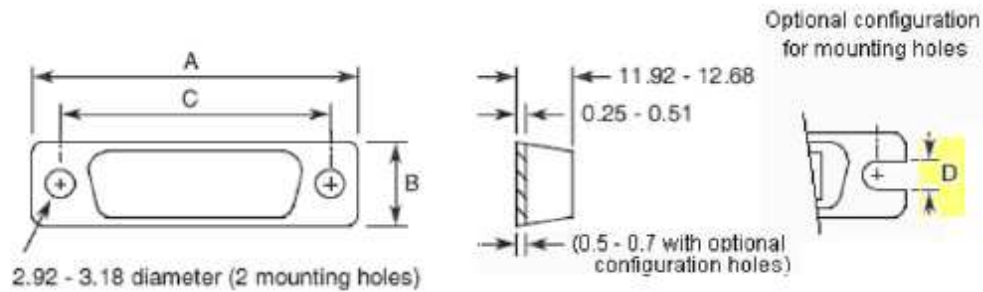
**NOTES:**

1. Weight: Not applicable because not on board.

VARIANT	A		B		C		D		E		F	
	MIN.	MAX.	MIN.	MAX.	MIN.	MAX.	MIN.	MAX.	MIN.	MAX.	MIN.	MAX.
81	30.32	31.08	12.32	13.08	24.74	24.24	7.1	8.1	8.48	9.52	5.5	5.7
17	38.51	39.27	12.32	13.08	33.08	33.58	7.1	8.1	14.4	15.44	5.5	5.7
18	52.4	53.16	12.32	13.08	46.79	47.29	7.1	8.1	28	29.08	5.5	5.7
19	68.66	69.42	12.32	13.08	63.25	63.75	7.1	8.1	43.94	45	5.5	5.7
20	66.29	67.05	15.09	15.85	60.86	61.36	9.4	10.4	43.94	45	5.5	5.7
90	68.84	69.6	17.09	17.85	63.15	63.65	10.5	11.5	43.47	44.53	2.92	3.18

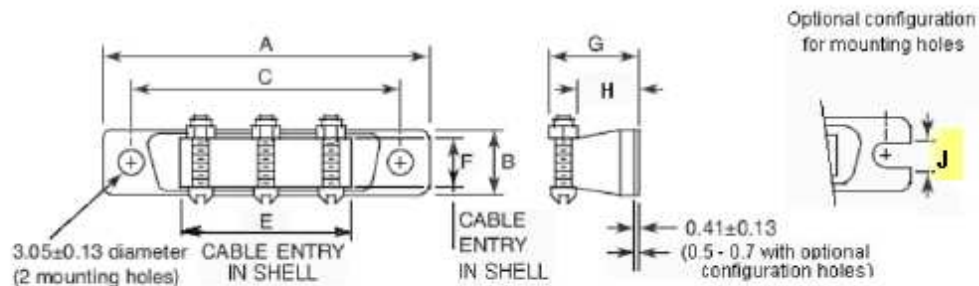


FIGURE 2(d) - BACK SHELLS (FOR STRAPPED CONNECTIONS) (All dimensions in millimetres)



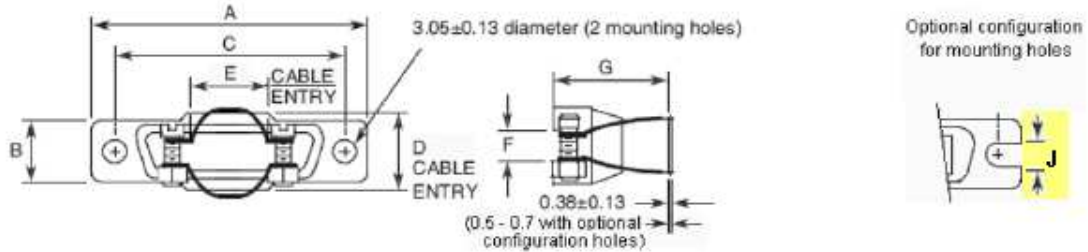
VARIANT	A		B		C		D	
	MIN.	MAX.	MIN.	MAX.	MIN.	MAX.	MIN.	MAX.
82	30.32	31.08	12.32	13.08	24.74	25.24	5.5	5.7
21	38.51	39.27	12.32	13.08	33.08	33.58	5.5	5.7
22	52.4	53.16	12.32	13.08	46.79	47.29	5.5	5.7
23	68.66	69.42	12.32	13.08	63.25	63.75	5.5	5.7
24	66.29	67.05	15.09	15.85	60.86	61.36	5.5	5.7
91	68.84	69.6	17.09	17.85	63.15	63.65	2.92	3.18

FIGURE 2(e) - CABLE CLAMPS (All dimensions in millimetre: STRAIGHT CLAMP)



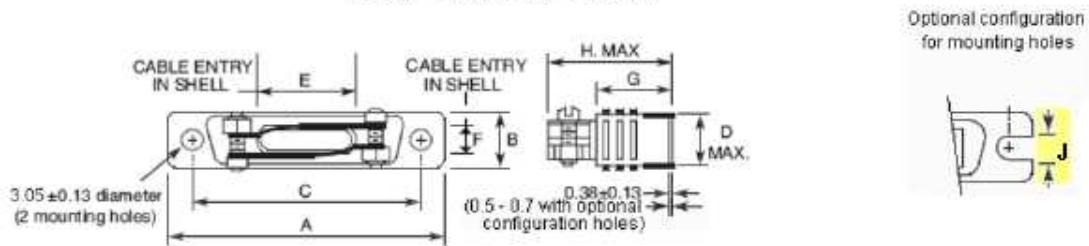
VARIANT	No. of Cable Locking Screws Required	A		B		C		E		F		G		H		J	
		MIN.	MAX.	MIN.	MAX.	MIN.	MAX.	MIN.	MAX.	MIN.	MAX.	MIN.	MAX.	MIN.	MAX.	MIN.	MAX.
83	2	30.32	31.08	12.32	13.08	24.74	25.24	10.62	11.38	7.12	7.88	15.7	16.7	10.32	11.08	5.5	5.7
25	2	38.51	39.27	12.32	13.08	33.08	33.58	18.62	19.38	7.12	7.88	15.7	16.7	10.32	11.08	5.5	5.7
26	2	52.4	53.16	12.32	13.08	46.79	47.29	31.62	32.38	7.12	7.88	15.7	16.7	10.32	11.08	5.5	5.7
27	3	68.66	69.42	12.32	13.08	63.25	63.75	47.62	48.38	7.12	7.88	15.7	16.7	10.32	11.08	5.5	5.7
28	3	66.29	67.05	15.09	15.85	60.86	61.36	45.62	46.38	9.52	10.28	17.3	18.3	11.92	12.68	5.5	5.7
92	3	68.84	69.6	17.09	17.85	63.15	63.65	43.47	44.53	10.5	11.5	32.1	33.1	24.62	25.38	2.92	3.18

ROUND CLAMP



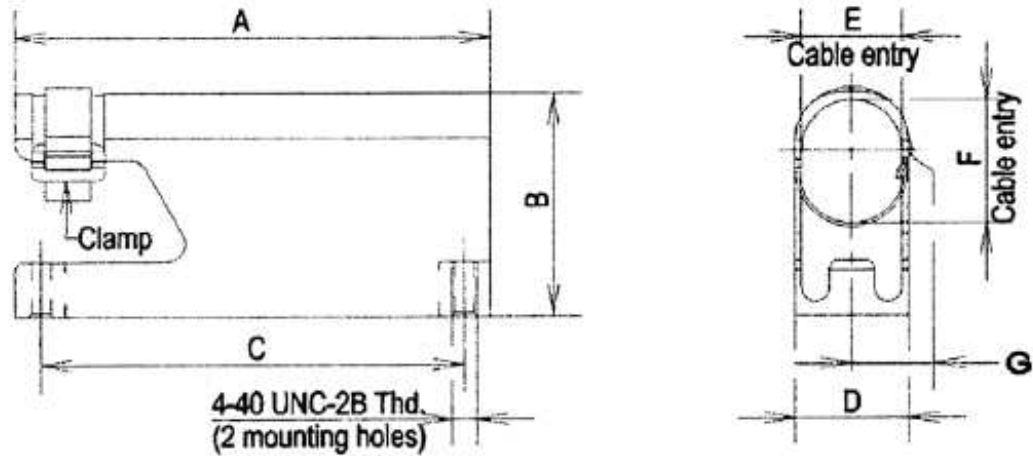
VARIANT	A		B		C		D		E		F		G		J	
	MIN.	MAX.	MIN.	MAX.	MIN.	MAX.	MIN.	MAX.	MIN.	MAX.	MIN.	MAX.	MIN.	MAX.	MIN.	MAX.
29	30.32	31.08	12.32	13.08	24.74	25.24	10.12	10.88	10.12	10.88	2.82	3.58	25.4	27	5.5	5.7
30	38.51	39.27	12.32	13.08	33.08	33.58	10.72	11.48	10.72	11.48	2.82	3.58	25.4	27	5.5	5.7
31	52.4	53.16	12.32	13.08	46.79	47.29	10.72	11.48	17.72	18.48	4.32	5.08	26.2	27.8	5.5	5.7
32	68.66	69.42	12.32	13.08	63.25	63.75	10.72	11.48	24.72	25.48	5.92	6.73	26.2	27.8	5.5	5.7
33	66.29	67.05	15.09	15.85	60.86	61.36	13.62	14.28	26.52	27.28	7.52	8.28	26.2	27.8	5.5	5.7
93	68.84	69.6	17.09	17.85	63.15	63.65	<b>15.62</b>	<b>16.28</b>	<b>22.92</b>	<b>23.68</b>	7.52	8.28	<b>31.2</b>	<b>32.8</b>	2.92	3.18

DEEP STRAIGHT CLAMP



VARIANT	A		B		C		D	E		F		G		H	J	
	MIN.	MAX.	MIN.	MAX.	MIN.	MAX.	MAX.	MIN.	MAX.	MIN.	MAX.	MIN.	MAX.	MAX.	MIN.	MAX.
34	30.32	31.08	12.32	13.08	24.74	25.24	14.7	10.62	11.38	7.12	7.88	18.62	19.38	31.7	5.5	5.7
35	38.51	39.27	12.32	13.08	33.08	33.58	14.7	18.62	19.38	7.12	7.88	18.62	19.38	31.7	5.5	5.7
36	52.4	53.16	12.32	13.08	46.79	47.29	14.7	31.62	32.38	7.12	7.88	25.02	25.78	39.7	5.5	5.7
37	68.66	69.42	12.32	13.08	63.25	63.75	14.7	47.62	48.38	7.12	7.88	25.02	25.78	39.7	5.5	5.7
38	66.29	67.05	15.09	15.85	60.86	61.36	17.4	45.62	46.38	9.52	10.28	28.22	28.98	42.9	5.5	5.7
94	68.84	69.6	17.09	17.85	63.15	63.65	19.4	<b>43.47</b>	<b>44.53</b>	<b>10.5</b>	<b>11.5</b>	<b>36.42</b>	<b>37.18</b>	<b>53.2</b>	2.92	3.18

RIGHT ANGLE CLAMP



VARIANT	A		B		C		D		E		F		G
	MIN.	MAX.	MIN.	MAX.	MIN.	MAX.	MIN.	MAX.	MIN.	MAX.	MIN.	MAX.	MAX.
39	30.32	31.08	17.4	19	24.74	25.24	12.32	13.08	10.3	11.9	10.3	11.9	7.9
40	38.51	39.27	17.4	19	33.08	33.58	12.32	13.08	10.3	11.9	10.3	11.9	7.9
41	52.4	53.16	23.8	25.4	46.79	47.29	12.32	13.08	10.3	11.9	15.1	16.7	7.9
42	68.66	69.42	29.3	30.9	63.25	63.75	12.32	13.08	10.3	11.9	19.8	21.4	7.9
43	66.29	67.05	30.9	32.5	60.86	61.36	15.09	15.85	13.5	15.1	22.3	23.9	7.9
95	<b>68.84</b>	<b>69.6</b>	<b>32.2</b>	<b>33.8</b>	<b>63.15</b>	<b>63.65</b>	<b>17.09</b>	<b>17.85</b>	<b>15.5</b>	<b>17.1</b>	<b>24.3</b>	<b>25.9</b>	<b>10</b>

60° ANGLED CLAMP

