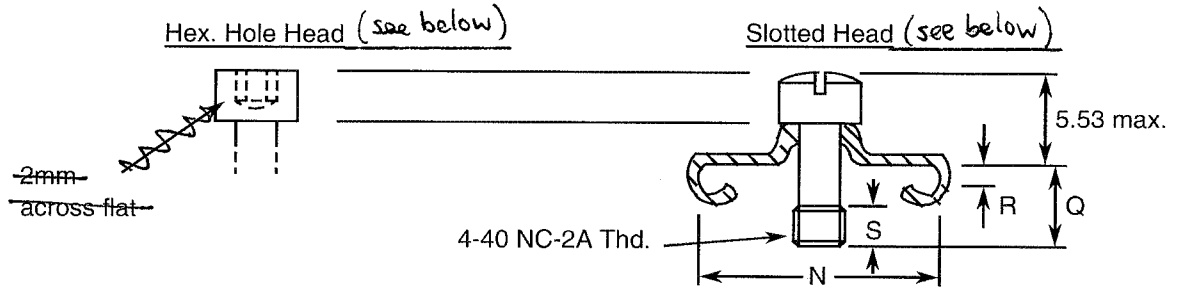


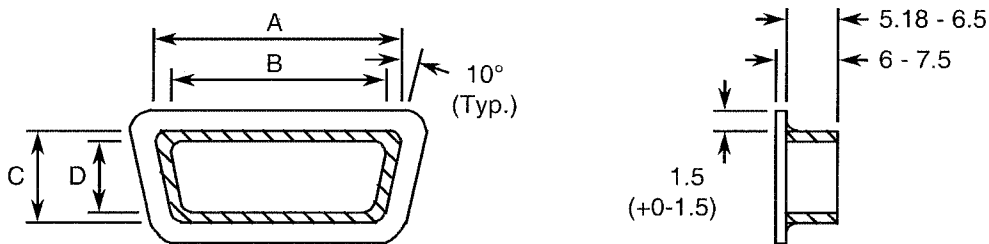
MALE



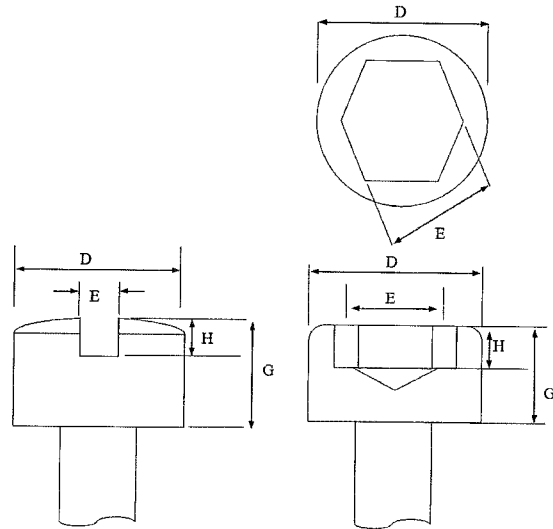
INSERT DRAWING AND TABLE HERE - SEE ATTACHED

| VARIANT |       | USE WITH SHELL SIZE       | N     |       | Q    |      | R    |      | S    |
|---------|-------|---------------------------|-------|-------|------|------|------|------|------|
| BRASS   | S.S.  |                           | MIN.  | MAX.  | MIN. | MAX. | MIN. | MAX. | MIN. |
|         |       | Without Back Shell        |       |       |      |      |      |      |      |
| 02-65   | 49-73 | DA DE: (P or S) DB, DC: S | 12.96 | 13.72 | 3.22 | 3.98 | 0.75 | 0.95 | 2.8  |
| 03-65   | 50-74 | DB DC: P                  | 12.96 | 13.72 | 3.22 | 3.98 | 0.95 | 1.15 | 2.8  |
| 04-67   | 51-75 | DD: S                     | 15.75 | 16.26 | 4.02 | 4.78 | 0.75 | 0.95 | 2.8  |
| 05-68   | 52-76 | DD: P                     | 15.75 | 16.26 | 4.02 | 4.78 | 0.95 | 1.15 | 2.8  |
|         |       | With Back Shell           |       |       |      |      |      |      |      |
| 44-69   | 54-77 | DA DE: (P or S) DB, DC: S | 12.96 | 13.72 | 4.02 | 4.78 | 1.75 | 1.95 | 2.8  |
| 45-70   | 55-78 | DB DC: P                  | 12.96 | 13.72 | 4.02 | 4.78 | 2    | 2.2  | 2.8  |
| 46-71   | 55-79 | DD: S                     | 15.75 | 16.26 | 4.02 | 4.78 | 1.75 | 1.95 | 2.8  |
| 47-72   | 57-80 | Dd: P                     | 15.75 | 16.26 | 4.02 | 4.78 | 2    | 2.2  | 2.8  |

FIGURE 2(b) - DUST CAPS (All dimensions in millimetres)



| VARIANT | A    |      | B    |      | C    |      | D    |      |
|---------|------|------|------|------|------|------|------|------|
|         | MIN. | MAX. | MIN. | MAX. | MIN. | MAX. | MIN. | MAX. |
| 07      | 17.3 | 17.9 | 15.6 | 16.2 | 8.9  | 9.5  | 7.2  | 7.8  |
| 08      | 18.7 | 19.3 | 17   | 17.6 | 10.2 | 10.8 | 8.5  | 9.1  |
| 09      | 25.7 | 26.3 | 24   | 24.6 | 8.9  | 9.5  | 7.2  | 7.8  |



|               | D    |      | E (across flats) |      | G    |      | H    |     |
|---------------|------|------|------------------|------|------|------|------|-----|
|               | MIN  | MAX  | MIN              | MAX  | MIN  | MAX  | MIN  | MAX |
| Slotted Head  | 3.9  | 4.65 | 0.75             | 1.1  | 1.9  | 2.71 | 0.75 | 1.1 |
| Hex Hole Head | 4.32 | 4.6  | 2.02             | 2.08 | 2.36 | 2.9  | 1    | 1.4 |