

→ Weight :



ESCC Detail Specification No. 3401/022

PAGE 6

ISSUE 4

TABLE 1(a) - TYPE VARIANTS

VARIANT	DESCRIPTION	WEIGHT (g)
01	Screw Lock Assembly Brass (Female)	1.9
02	Screw Lock Assembly Brass (Male/slotted head screw)	Without Back Shell 0.85
03	Screw Lock Assembly Brass (Male/slotted head screw)	Without Back Shell 0.85
04	Screw Lock Assembly Brass (Male/slotted head screw)	Without Back Shell 1
05	Screw Lock Assembly Brass (Male/slotted head screw)	Without Back Shell 1
06	Screw Lock Assembly Brass (Female) for Savers	2
07	Dust Cap (Female)	Size E N/A
08	Dust Cap (Male)	Size E N/A
09	Dust Cap (Female)	Size A N/A
10	Dust Cap (Male)	Size A N/A
11	Dust Cap (Female)	Size B N/A
12	Dust Cap (Male)	Size B N/A
13	Dust Cap (Female)	Size C N/A
14	Dust Cap (Male)	Size C N/A
15	Dust Cap (Female)	Size D N/A
16	Dust Cap (Male)	Size D N/A
17	Potting Shell	Size A N/A
18	Potting Shell	Size B N/A
19	Potting Shell	Size C N/A
20	Potting Shell	Size D N/A
21	Back-Shell for Strapped Connections	Size A 9.4 8.6
22	Back-Shell for Strapped Connections	Size B 11.6 11.8
23	Back-Shell for Strapped Connections	Size C 15.5
24	Back-Shell for Strapped Connections	Size D 16.6 17.1
25	Cable Clamp, Straight	Size A 18.6 11.7
26	Cable Clamp, Straight	Size B 19.7 14.7
27	Cable Clamp, Straight	Size C 18.4 20
28	Cable Clamp, Straight	Size D 19.8 21.2
29	Cable Clamp, Round	Size E 8 9.7
30	Cable Clamp, Round	Size A 11
31	Cable Clamp, Round	Size B 13 13.3
32	Cable Clamp, Round	Size C 15 15.6
33	Cable Clamp, Round	Size D 16 16.5
34	Deep Straight Clamp	Size E 13 13.6
35	Deep Straight Clamp	Size A 16.3 17.2
36	Deep Straight Clamp	Size B 26.5 27.1

ESA/ESCC 3401/022 SPECIFICATION RELEASE

(Continued)



→ Weight :



ESCC Detail Specification No. 3401/022

PAGE 7

ISSUE 4

VARIANT	DESCRIPTION	WEIGHT (g)
37	Deep Straight Clamp	Size C 35 39
38	Deep Straight Clamp	Size D 38.5 40.8
39	Right Angle Clamp	Size E 14.6
40	Right Angle Clamp	Size A 17.2
41	Right Angle Clamp	Size B 21.4 24.2
42	Right Angle Clamp	Size C 33.3 33.5
43	Right Angle Clamp	Size D 38.7 38.8
44	Screw Lock Assembly Brass (Male/slotted head screw)	With Back Shell 0.85
45	Screw Lock Assembly Brass (Male/slotted head screw)	With Back Shell 0.85
46	Screw Lock Assembly Brass (Male/slotted head screw)	With Back Shell 1
47	Screw Lock Assembly Brass (Male/slotted head screw)	With Back Shell 1
48	Screw Lock Assembly Stainless Steel (Female)	1.8
49	Screw Lock Assembly Stainless Steel (Male/slotted head screw)	Without Back Shell 0.8
50	Screw Lock Assembly Stainless Steel (Male/slotted head screw)	Without Back Shell 0.8
51	Screw Lock Assembly Stainless Steel (Male/slotted head screw)	Without Back Shell 1
52	Screw Lock Assembly Stainless Steel (Male/slotted head screw)	Without Back Shell 1
53	Screw Lock Assembly Stainless Steel (Female) for Savers	1.9
54	Screw Lock Assembly Stainless Steel (Male/slotted head screw)	With Back Shell 0.8
55	Screw Lock Assembly Stainless Steel (Male/slotted head screw)	With Back Shell 0.8
56	Screw Lock Assembly Stainless Steel (Male/slotted head screw)	With Back Shell 1
57	Screw Lock Assembly Stainless Steel (Male/slotted head screw)	With Back Shell 1
58	Screw Lock Assembly Brass (Female) for Feedthrough	2
59	Screw Lock Assembly Stainless Steel (Female) for Feedthrough	1.86
60	60° Angled Clamp	Size E 9
61	60° Angled Clamp	Size A 11
62	60° Angled Clamp	Size B 12
63	60° Angled Clamp	Size C 15
64	60° Angled Clamp	Size D 16
65	Screw Lock Assembly Brass (male/hex. hole head screw)	Without Back Shell 0.85
66	Screw Lock Assembly Brass (male/hex. hole head screw)	Without Back Shell 0.85
67	Screw Lock Assembly Brass (male/hex. hole head screw)	Without Back Shell 1
68	Screw Lock Assembly Brass (male/hex. hole head screw)	Without Back Shell 1

ESA/ESCC 3401/022 SPECIFICATION RELEASE
(Continued)



→ Weight :



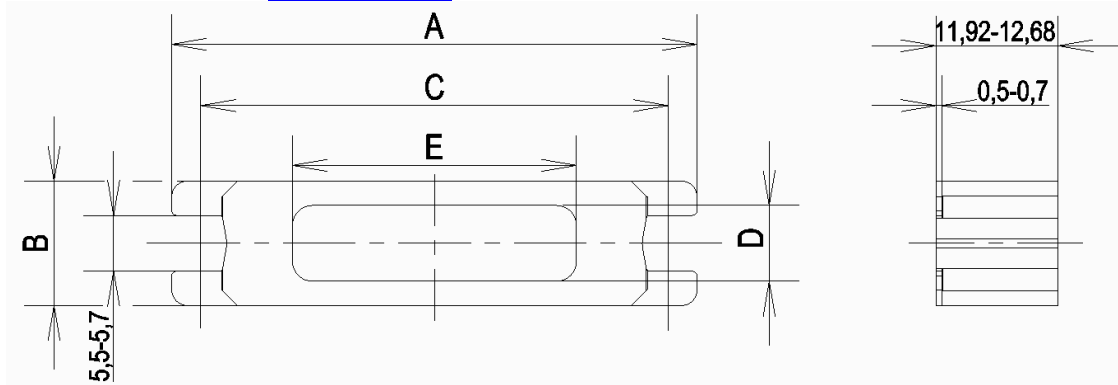
ESCC Detail Specification No. 3401/022

PAGE 8

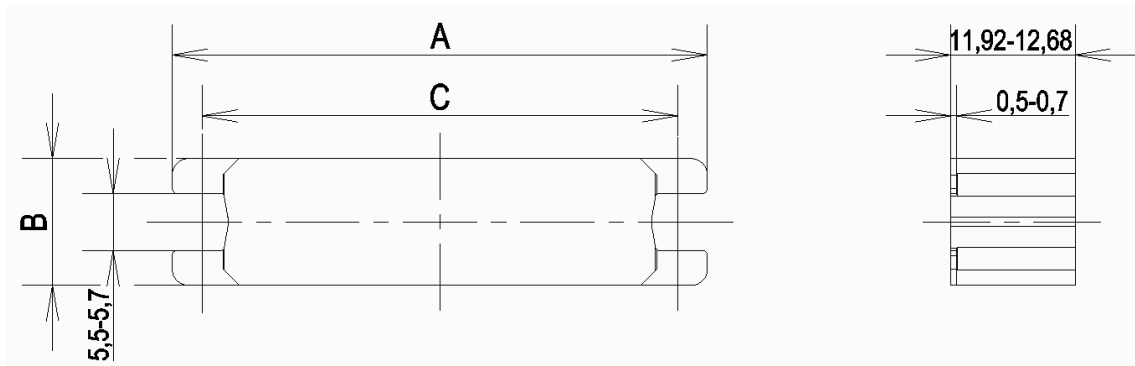
ISSUE 4

VARIANT	DESCRIPTION	WEIGHT (g)
69	Screw Lock Assembly Brass (male/hex. hole head screw) With Back Shell	0.85
70	Screw Lock Assembly Brass (male/hex. hole head screw) With Back Shell	0.85
71	Screw Lock Assembly Brass (male/hex. hole head screw) With Back Shell	1
72	Screw Lock Assembly Brass (male/hex. hole head screw) With Back Shell	1
73	Screw Lock Assembly Stainless Steel (Male/hex. hole head screw) Without Back Shell	0.8
74	Screw Lock Assembly Stainless Steel (Male/hex. hole head screw) Without Back Shell	0.8
75	Screw Lock Assembly Stainless Steel (Male/hex. hole head screw) Without Back Shell	1
76	Screw Lock Assembly Stainless Steel (Male/hex. hole head screw) Without Back Shell	1
77	Screw Lock Assembly Stainless Steel (Male/hex. hole head screw) With Back Shell	0.8
78	Screw Lock Assembly Stainless Steel (Male/hex. hole head screw) With Back Shell	0.8
79	Screw Lock Assembly Stainless Steel (Male/hex. hole head screw) With Back Shell	1
80	Screw Lock Assembly Stainless Steel (Male/hex. hole head screw) With Back Shell	1
81	Potting shell	Size E N/A
82	Back-Shell for Strapped Connections	Size E 6.8 6.7
83	Cable Clamp, Straight	Size E 8.8 9
84	Dust Cap (Female)	Size F N/A
85	Dust Cap (Male)	Size F N/A

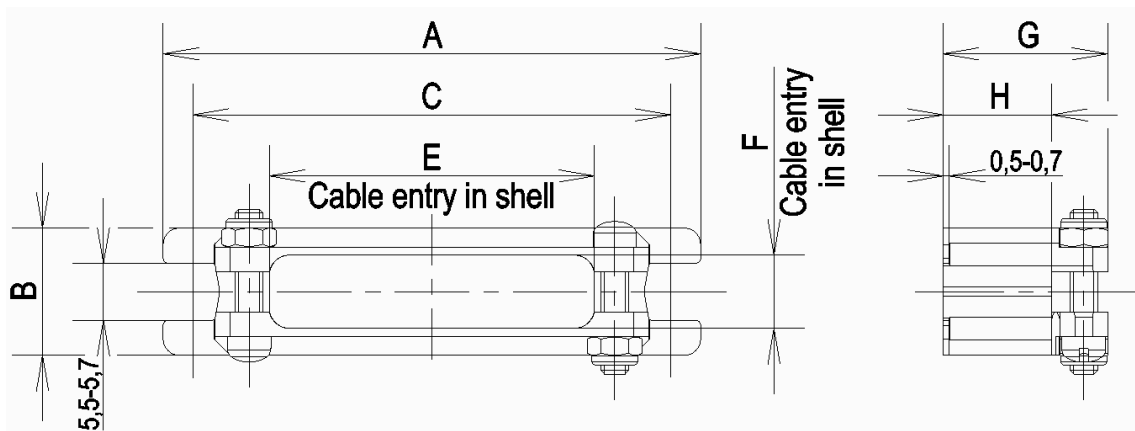
- 1 - View sheet 11 : Potting Shells



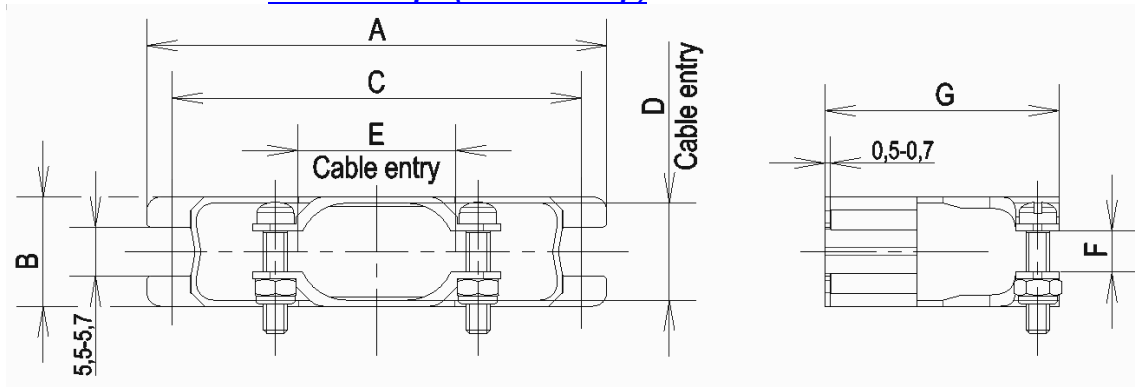
- 2 - View sheet 12 : Back shells (for strapped connections)



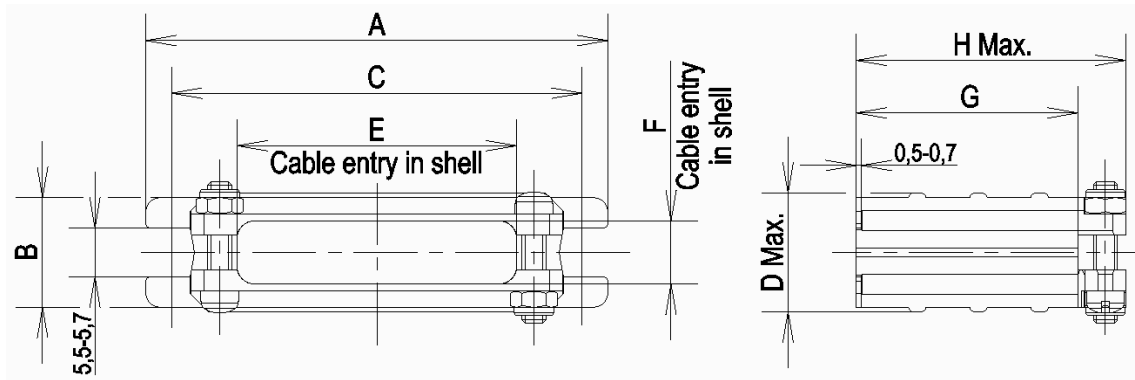
- 3 - View sheet 12 : Cable clamps (Straight clamp)



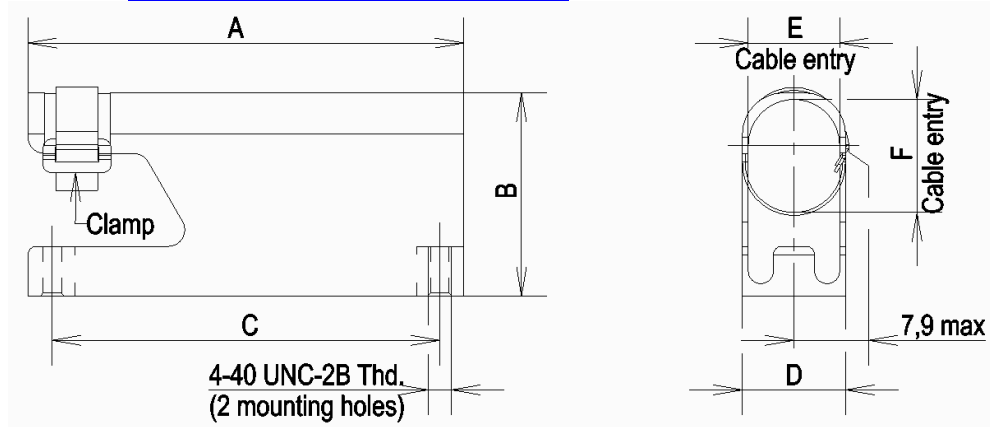
- 4 - View sheet 13 : Cable clamps (Round clamp)



- 5 - View sheet 13 : Cable clamps (Deep straight clamp)



- 6 - View sheet 14 : Cable clamps (Right angle clamp)



- 7 - Tabulation sheet 13 : Round Clamp

VARIANT	A		B		C		D		E		F		G	
	MIN.	MAX.	MIN.	MAX.	MIN.	MAX.	MIN.	MAX.	MIN.	MAX.	MIN.	MAX.	MIN.	MAX.
29	30.32	31.08	12.32	13.08	24.74	25.24	10.12	10.88	10.12	10.88	2.82	3.58	25.4	27
30	38.51	39.27	12.32	13.08	33.08	33.58	10.72	11.48	10.72	11.48	2.82	3.58	25.4	27
31	52.4	53.16	12.32	13.08	46.79	47.29	10.72	11.48	17.72	18.48	4.32	5.08	26.2	27.8
32	68.66	69.42	12.32	13.08	63.25	63.75	10.72	11.48	24.72	25.48	5.92	6.73	26.2	27.8
33	66.29	67.05	15.09	15.85	60.86	61.36	13.52	14.28	26.52	27.28	7.52	8.28	26.2	27.8