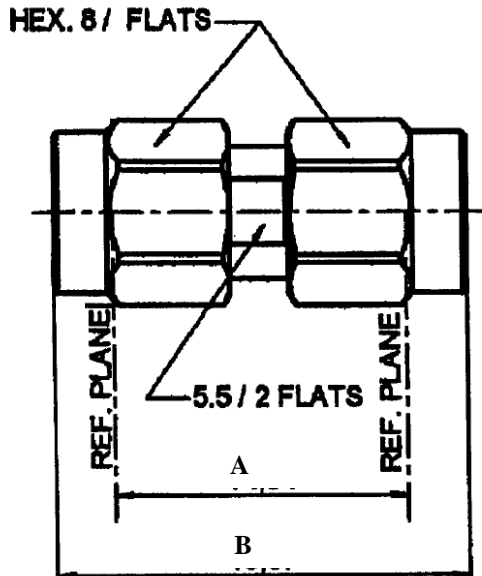


Figure 2(b) – VARIANTS (CONTINUED)

Variant 01 – STRAIGHT MALE-MALE ADAPTOR



Symbol	Millimetre		Notes
	Min.	Max.	
A	14.03	14.09	
B	19.70	20.00	

All dimensions are in mm

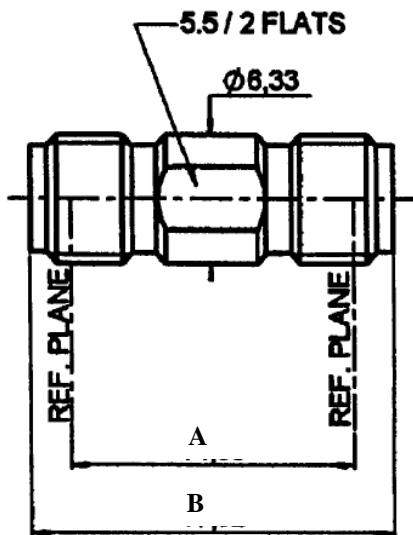
ELECTRICAL CHARACTERISTICS	VALUES	UNITS
Frequency range	0 to 40	GHz
Maximum voltage standing wave ration (VSWR)	$1.05 + 0.003 \times F$ (GHz)	-
Maximum insertion loss	$0.03\sqrt{F}$ (GHz)	dB
RF leakage	- [90 – F (GHz)]	dB
Voltage proof	750	Vrms
Power Handling Category (Figure 1(a))	Category I	-

MECHANICAL CHARACTERISTICS	VALUES	UNITS
Mini centre contact retention force (axial)	27	N
Mini centre contact retention torque	Not Applicable	N.cm
Mini cable retention force	Not Applicable	N
Mini cable retention torque value	Not Applicable	N.cm
Maximum weight	5.5	g

OTHER CHARACTERISTICS	VALUES	UNITS
Rapid change of temperature (peak)	+165	°C
Operating temperature range	-65 to +165	°C
Maxi leakage (panel sealed connectors)	Not Applicable	-
Maxi leakage (hermetic sealed connector)	Not Applicable	-
Solderability	Not Applicable	-
Soldering proof	Not Applicable	-
Cable used	Not Applicable	-

Figure 2(b) – VARIANTS (CONTINUED)

Variant 02 – STRAIGHT FEMALE-FEMALE ADAPTOR



Symbol	Millimetre		Notes
	Min.	Max.	
A	14.03	14.09	
B	17.82	18.01	

All dimensions are in mm

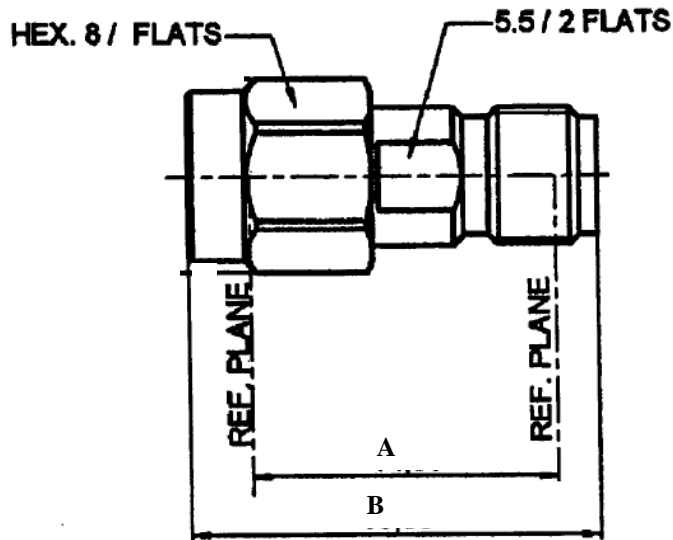
ELECTRICAL CHARACTERISTICS	VALUES	UNITS
Frequency range	0 to 40	GHz
Maximum voltage standing wave ration (VSWR)	$1.05 + 0.003 \times F \text{ (GHz)}$	-
Maximum insertion loss	$0.03\sqrt{F} \text{ (GHz)}$	dB
RF leakage	- [90 – F (GHz)]	dB
Voltage proof	750	V _{rms}
Power Handling Category (Figure 1(a))	Category I	-

MECHANICAL CHARACTERISTICS	VALUES	UNITS
Mini centre contact retention force (axial)	27	N
Mini centre contact retention torque	Not Applicable	N.cm
Mini cable retention force	Not Applicable	N
Mini cable retention torque value	Not Applicable	N.cm
Maximum weight	3.0	g

OTHER CHARACTERISTICS	VALUES	UNITS
Rapid change of temperature (peak)	+165	°C
Operating temperature range	-65 to +165	°C
Maxi leakage (panel sealed connectors)	Not Applicable	-
Maxi leakage (hermetic sealed connector)	Not Applicable	-
Solderability	Not Applicable	-
Soldering proof	Not Applicable	-
Cable used	Not Applicable	-

Figure 2(b) – VARIANTS (CONTINUED)

Variant 03 – STRAIGHT MALE-FEMALE ADAPTOR



Symbol	Millimetre		Notes
	Min.	Max.	
A	14.03	14.09	
B	18.82	18.97	

All dimensions are in mm

ELECTRICAL CHARACTERISTICS	VALUES	UNITS
Frequency range	0 to 40	GHz
Maximum voltage standing wave ration (VSWR)	$1.05 + 0.003 \times F$ (GHz)	-
Maximum insertion loss	$0.03\sqrt{F}$ (GHz)	dB
RF leakage	- [90 – F (GHz)]	dB
Voltage proof	750	Vrms
Power Handling Category (Figure 1(a))	Category I	-

MECHANICAL CHARACTERISTICS	VALUES	UNITS
Mini centre contact retention force (axial)	27	N
Mini centre contact retention torque	Not Applicable	N.cm
Mini cable retention force	Not Applicable	N
Mini cable retention torque value	Not Applicable	N.cm
Maximum weight	4.1	g

OTHER CHARACTERISTICS	VALUES	UNITS
Rapid change of temperature (peak)	+165	°C
Operating temperature range	-65 to +165	°C
Maxi leakage (panel sealed connectors)	Not Applicable	-
Maxi leakage (hermetic sealed connector)	Not Applicable	-
Solderability	Not Applicable	-
Soldering proof	Not Applicable	-
Cable used	Not Applicable	-