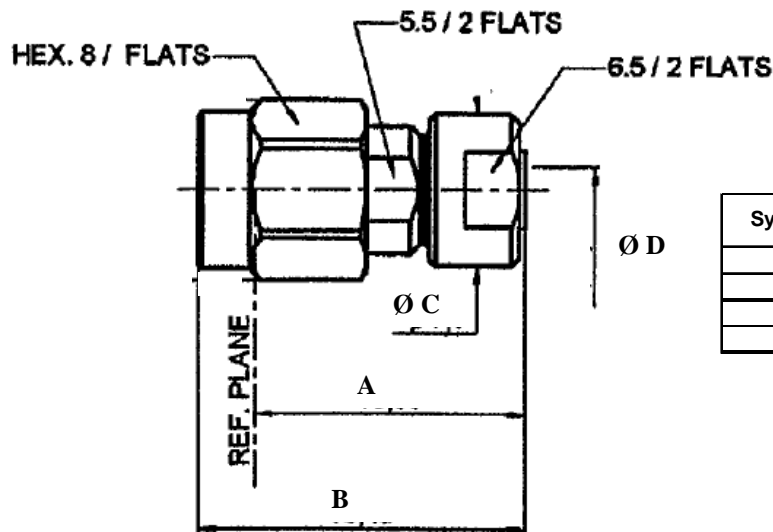


Figure 2(b) – VARIANTS (CONTINUED)

Variant 01 – STRAIGHT PLUG SOLDER TYPE FOR MICROPOROUS SEMI-RIGID CABLE Ø2.20mm (0.085")



Symbol	Millimetre		Notes
	Min.	Max.	
A	13.43	13.68	
B	16.33	16.58	
ØC	7.40	7.50	
ØD	2.25	2.29	

All dimensions are in mm

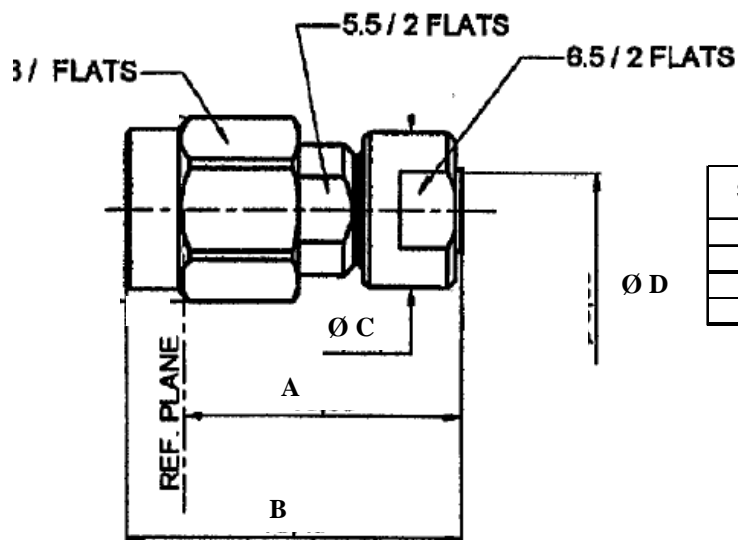
ELECTRICAL CHARACTERISTICS	VALUES	UNITS
Frequency range	0 to 40	GHz
Maximum voltage standing wave ration (VSWR)	$1.05 + 0.005 \times F$ (GHz)	-
Maximum insertion loss	$0.03\sqrt{F}$ (GHz)	dB
RF leakage	- [90 – F (GHz)]	dB
Voltage proof	750	Vrms
Power Handling Category (Figure 1(a))	Category III	-

MECHANICAL CHARACTERISTICS	VALUES	UNITS
Mini centre contact retention force (axial)	27	N
Mini centre contact retention torque	Not Applicable	N.cm
Mini cable retention force	200	N
Mini cable retention torque value	11.28	N.cm
Maximum weight	4.5	g

OTHER CHARACTERISTICS	VALUES	UNITS
Rapid change of temperature (peak)	+165	°C
Operating temperature range	-65 to +165	°C
Maxi leakage (panel sealed connectors)	Not Applicable	-
Maxi leakage (hermetic sealed connector)	Not Applicable	-
Solderability	Applicable	-
Soldering proof	Not Applicable	-
Cable used	Microporous semi-rigid cable Ø2.2mm (0.085" P/N UT85CLL)	-

Figure 2(b) – VARIANTS (CONTINUED)

Variant 02 – STRAIGHT PLUG SOLDER TYPE FOR MICROPOROUS SEMI-RIGID CABLE Ø3.58mm (0.141”)



Symbol	Millimetre		Notes
	Min.	Max.	
A	13.43	13.68	
B	16.33	16.58	
ØC	7.40	7.50	
ØD	3.64	3.68	

All dimensions are in mm

ELECTRICAL CHARACTERISTICS	VALUES	UNITS
Frequency range	0 to 40	GHz
Maximum voltage standing wave ration (VSWR) ⁽¹⁾	1.05+0.005 x F (GHz)	-
Maximum insertion loss ⁽¹⁾	0.03√F (GHz)	dB
RF leakage ⁽¹⁾	- [90 – F (GHz)]	dB
Voltage proof	750	Vrms
Power Handling Category (Figure 1(a))	Category I	-

Note:

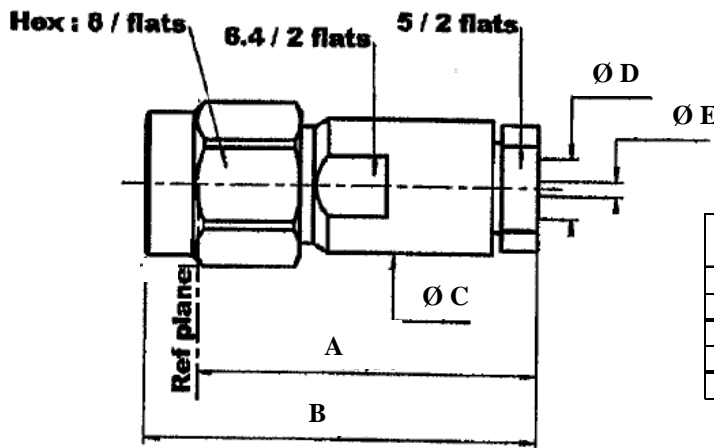
1- Limited up to 36GHz by cable

MECHANICAL CHARACTERISTICS	VALUES	UNITS
Mini centre contact retention force (axial)	27	N
Mini centre contact retention torque	Not Applicable	N.cm
Mini cable retention force	270	N
Mini cable retention torque value	38.85	N.cm
Maximum weight	4.3	g

OTHER CHARACTERISTICS	VALUES	UNITS
Rapid change of temperature (peak)	+165	°C
Operating temperature range	-65 to +165	°C
Maxi leakage (panel sealed connectors)	Not Applicable	-
Maxi leakage (hermetic sealed connector)	Not Applicable	-
Solderability	Applicable	-
Soldering proof	Not Applicable	-
Cable used	Microporous semi-rigid cable Ø3.58mm (0.141" P/N UT141CLL)	-

Figure 2(b) – VARIANTS (CONTINUED)

Variant 03 – STRAIGHT PLUG SOLDER TYPE FOR SHF3MS CABLE



Symbol	Millimetre		Notes
	Min.	Max.	
A	19.47	19.82	
B	22.37	22.92	
ØC	7.10	7.30	
ØD	3.30	3.35	
ØE	0.85	0.90	

All dimensions are in mm

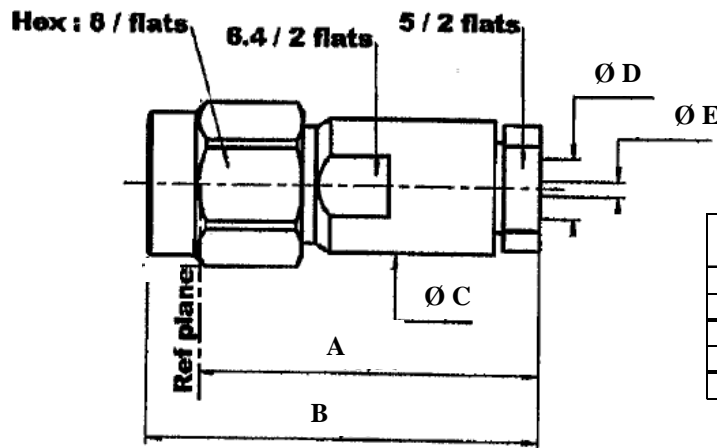
ELECTRICAL CHARACTERISTICS	VALUES	UNITS
Frequency range	0 to 40	GHz
Maximum voltage standing wave ration (VSWR)	$1.05 + 0.005 \times F$ (GHz)	-
Maximum insertion loss	$0.03 \sqrt{F}$ (GHz)	dB
RF leakage	- [90 - F (GHz)]	dB
Voltage proof	750	V _{rms}
Power Handling Category (Figure 1(a))	Category II	-

MECHANICAL CHARACTERISTICS	VALUES	UNITS
Mini centre contact retention force (axial)	27	N
Mini centre contact retention torque	Not Applicable	N.cm
Mini cable retention force	50	N
Mini cable retention torque value	Not Applicable	N.cm
Maximum weight	6	g

OTHER CHARACTERISTICS	VALUES	UNITS
Rapid change of temperature (peak)	+165	°C
Operating temperature range	-65 to +165	°C
Maxi leakage (panel sealed connectors)	Not Applicable	-
Maxi leakage (hermetic sealed connector)	Not Applicable	-
Solderability	Applicable	-
Soldering proof	Not Applicable	-
Cable used	SHF3MS	-

Figure 2(b) – VARIANTS (CONTINUED)

Variant 04 – STRAIGHT PLUG SOLDER TYPE FOR SHF4.2MS CABLE



Symbol	Millimetre		Notes
	Min.	Max.	
A	20.27	20.62	
B	23.17	23.52	
ØC	7.10	7.30	
ØD	3.75	3.85	
ØE	1.05	1.10	

All dimensions are in mm

ELECTRICAL CHARACTERISTICS	VALUES	UNITS
Frequency range	0 to 40	GHz
Maximum voltage standing wave ration (VSWR) ⁽¹⁾	$1.05 + 0.005 \times F$ (GHz)	-
Maximum insertion loss ⁽¹⁾	$0.03 \sqrt{F}$ (GHz)	dB
RF leakage ⁽¹⁾	- [90 - F (GHz)]	dB
Voltage proof	750	Vrms
Power Handling Category (Figure 1(a))	Category II	-

Note:

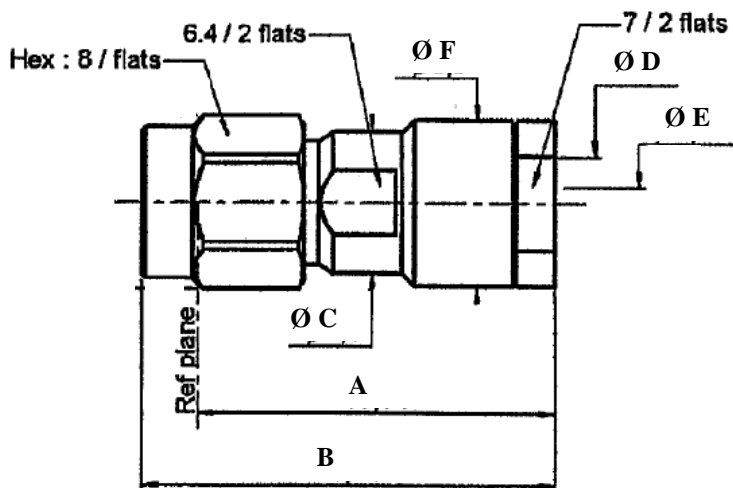
1- Limited up to 36GHz by cable

MECHANICAL CHARACTERISTICS	VALUES	UNITS
Mini centre contact retention force (axial)	27	N
Mini centre contact retention torque	Not Applicable	N.cm
Mini cable retention force	50	N
Mini cable retention torque value	Not Applicable	N.cm
Maximum weight	5.6	g

OTHER CHARACTERISTICS	VALUES	UNITS
Rapid change of temperature (peak)	+165	°C
Operating temperature range	-65 to +165	°C
Maxi leakage (panel sealed connectors)	Not Applicable	-
Maxi leakage (hermetic sealed connector)	Not Applicable	-
Solderability	Applicable	-
Soldering proof	Not Applicable	-
Cable used	SHF4.2MS	-

Figure 2(b) – VARIANTS (CONTINUED)

Variant 05 – STRAIGHT PLUG SOLDER TYPE FOR SHF5MS CABLE



Symbol	Millimetre		Notes
	Min.	Max.	
A	18.47	18.82	
B	21.37	21.72	
ØC	7.10	7.30	
ØD	4.70	4.75	
ØE	1.51	1.55	
ØF	8.40	8.60	

All dimensions are in mm

ELECTRICAL CHARACTERISTICS	VALUES	UNITS
Frequency range	0 to 40	GHz
Maximum voltage standing wave ration (VSWR) ⁽¹⁾	1.05+0.005 x F (GHz)	-
Maximum insertion loss ⁽¹⁾	0.03√F (GHz)	dB
RF leakage ⁽¹⁾	- [90 – F (GHz)]	dB
Voltage proof	750	Vrms
Power Handling Category (Figure 1(a))	Category II	-

Note:

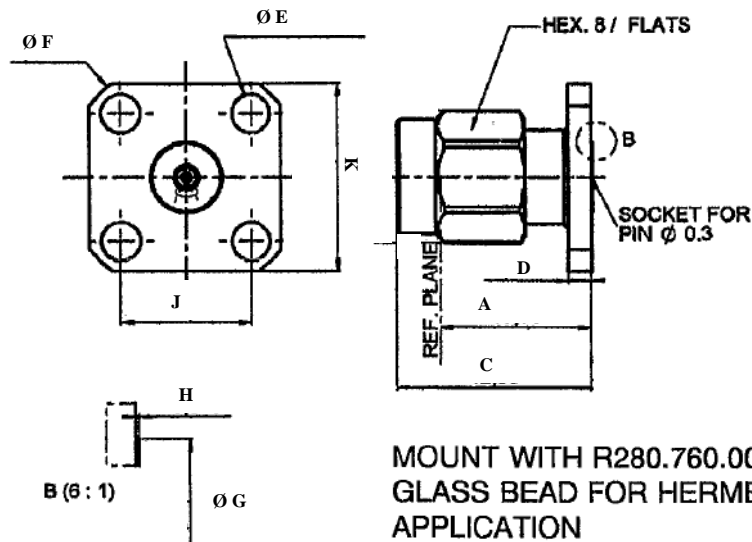
1- Limited up to 30GHz by cable

MECHANICAL CHARACTERISTICS	VALUES	UNITS
Mini centre contact retention force (axial)	27	N
Mini centre contact retention torque	Not Applicable	N.cm
Mini cable retention force	60	N
Mini cable retention torque value	Not Applicable	N.cm
Maximum weight	5.7	g

OTHER CHARACTERISTICS	VALUES	UNITS
Rapid change of temperature (peak)	+165	°C
Operating temperature range	-65 to +165	°C
Maxi leakage (panel sealed connectors)	Not Applicable	-
Maxi leakage (hermetic sealed connector)	Not Applicable	-
Solderability	Applicable	-
Soldering proof	Not Applicable	-
Cable used	SHF5MS	-

Figure 2(b) – VARIANTS (CONTINUED)

Variant 07 – SQUARE FLANGE PLUG RECEPTACLE FOR 0.3mm DIA. PIN



Symbol	Millimetre		Notes
	Min.	Max.	
A	10.03	10.09	
C	12.93	12.99	
D	1.52	1.54	
ØE	2.57	2.70	4 Holes
ØF	15.90	16.10	
ØG	4.65	4.85	
H	0.09	0.1	
J	8.59	8.69	
K	12.6	12.8	

All dimensions are in mm

ELECTRICAL CHARACTERISTICS	VALUES	UNITS
Frequency range	0 to 40	GHz
Maximum voltage standing wave ration (VSWR) ⁽¹⁾	1.05+0.005 x F (GHz)	-
Maximum insertion loss ⁽¹⁾	0.03√F (GHz)	dB
RF leakage ⁽¹⁾	- [90 – F (GHz)]	dB
Voltage proof	750	Vrms
Power Handling Category (Figure 1(a))	Category III	-

Note:

1- Limited up to 30GHz by cable

MECHANICAL CHARACTERISTICS	VALUES	UNITS
Mini centre contact retention force (axial)	27	N
Mini centre contact retention torque	Not Applicable	N.cm
Mini cable retention force	Not Applicable	N
Mini cable retention torque value	Not Applicable	N.cm
Maximum weight	4.8	g

OTHER CHARACTERISTICS	VALUES	UNITS
Rapid change of temperature (peak)	+165	°C
Operating temperature range	-65 to +165	°C
Maxi leakage (panel sealed connectors)	Not Applicable	-
Maxi leakage (hermetic sealed connector)	Not Applicable	-
Solderability	Applicable	-
Soldering proof	Applicable	-
Cable used	Not Applicable	-