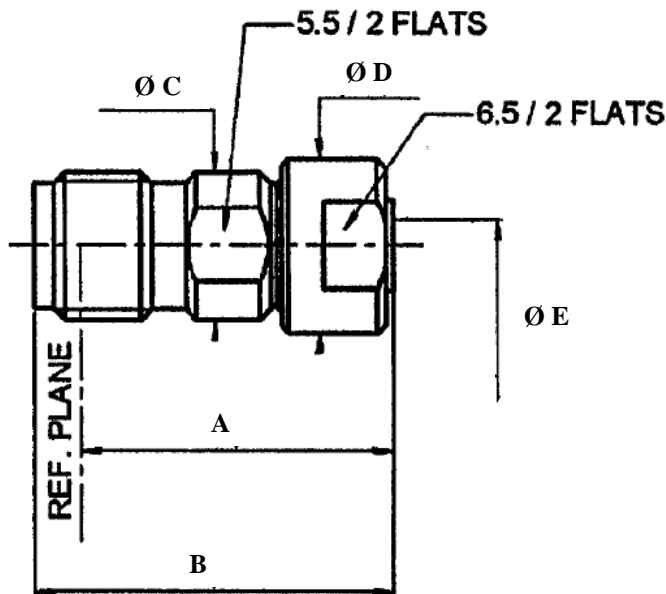


**Figure 2(b) – VARIANTS (CONTINUED)**

**Variant 01 – STRAIGHT JACK SOLDER TYPE FOR MICROPOROUS SEMI-RIGID  
CABLE Ø2.20mm (0.085")**



Symbol	Millimetre		Notes
	Min.	Max.	
A	13.43	13.77	
B	15.34	15.62	
ØC	6.19	6.26	
ØD	7.40	7.60	
ØE	2.25	2.29	

All dimensions are in mm

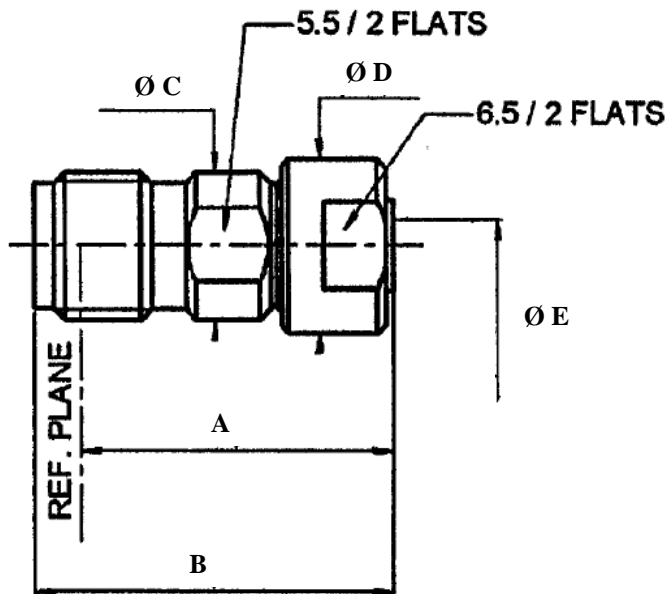
ELECTRICAL CHARACTERISTICS	VALUES	UNITS
Frequency range	0 to 40	GHz
Maximum voltage standing wave ration (VSWR)	$1.05 + 0.005 \times F$ (GHz)	-
Maximum insertion loss	$0.03\sqrt{F}$ (GHz)	dB
RF leakage	- [90 - F (GHz)]	dB
Voltage proof	750	Vrms
Power Handling Category (Figure 1(a))	Category III	-

MECHANICAL CHARACTERISTICS	VALUES	UNITS
Mini centre contact retention force (axial)	27	N
Mini centre contact retention torque	Not Applicable	N.cm
Mini cable retention force	200	N
Mini cable retention torque value	11.28	N.cm
Maximum weight	3.4	g

OTHER CHARACTERISTICS	VALUES	UNITS
Rapid change of temperature (peak)	+165	°C
Operating temperature range	-65 to +165	°C
Maxi leakage (panel sealed connectors)	Not Applicable	-
Maxi leakage (hermetic sealed connector)	Not Applicable	-
Solderability	Applicable	-
Soldering proof	Not Applicable	-
Cable used	Microporous semi-rigid cable Ø2.2mm (0.085" P/N UT85CLL)	-

**Figure 2(b) – VARIANTS (CONTINUED)**

**Variant 02 – STRAIGHT JACK SOLDER TYPE FOR MICROPOROUS SEMI-RIGID  
CABLE Ø3.58mm (0.141”)**



Symbol	Millimetre		Notes
	Min.	Max.	
A	13.43	13.77	
B	15.34	15.62	
ØC	6.19	6.26	
ØD	7.40	7.60	
ØE	3.64	3.68	

All dimensions are in mm

ELECTRICAL CHARACTERISTICS	VALUES	UNITS
Frequency range	0 to 40	GHz
Maximum voltage standing wave ration (VSWR) <sup>(1)</sup>	1.05+0.005 x F (GHz)	-
Maximum insertion loss <sup>(1)</sup>	0.03√F (GHz)	dB
RF leakage <sup>(1)</sup>	- [90 – F (GHz)]	dB
Voltage proof	750	Vrms
Power Handling Category (Figure 1(a))	Category III	-

**Note:**

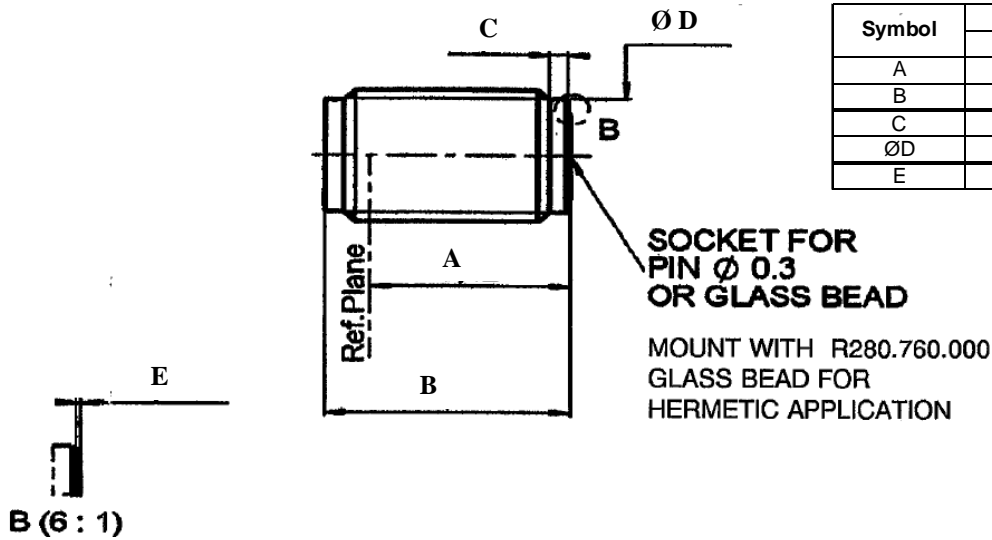
1- Limited up to 36GHz by cable

MECHANICAL CHARACTERISTICS	VALUES	UNITS
Mini centre contact retention force (axial)	27	N
Mini centre contact retention torque	Not Applicable	N.cm
Mini cable retention force	270	N
Mini cable retention torque value	38.85	N.cm
Maximum weight	3.1	g

OTHER CHARACTERISTICS	VALUES	UNITS
Rapid change of temperature (peak)	+165	°C
Operating temperature range	-65 to +165	°C
Maxi leakage (panel sealed connectors)	Not Applicable	-
Maxi leakage (hermetic sealed connector)	Not Applicable	-
Solderability	Applicable	-
Soldering proof	Not Applicable	-
Cable used	Microporous semi-rigid cable Ø3.58mm (0.141" P/N UT141CLL)	-

**Figure 2(b) – VARIANTS (CONTINUED)**

**Variant 03 – SCREW JACK RECEPTACLE FOR 0.3mm DIA. PIN**



Symbol	Millimetre		Notes
	Min.	Max.	
A	8.89	8.96	
B	10.77	10.94	
C	6.19	6.26	
ØD	5.30	5.35	
E	0.09	0.10	

All dimensions are in mm

ELECTRICAL CHARACTERISTICS	VALUES	UNITS
Frequency range	0 to 40	GHz
Maximum voltage standing wave ration (VSWR) <sup>(1)</sup>	$1.05 + 0.005 \times F$ (GHz)	-
Maximum insertion loss <sup>(1)</sup>	$0.03\sqrt{F}$ (GHz)	dB
RF leakage <sup>(1)</sup>	- [90 - F (GHz)]	dB
Voltage proof	750	V <sub>rms</sub>
Power Handling Category (Figure 1(a))	Category III	-

**Note:**

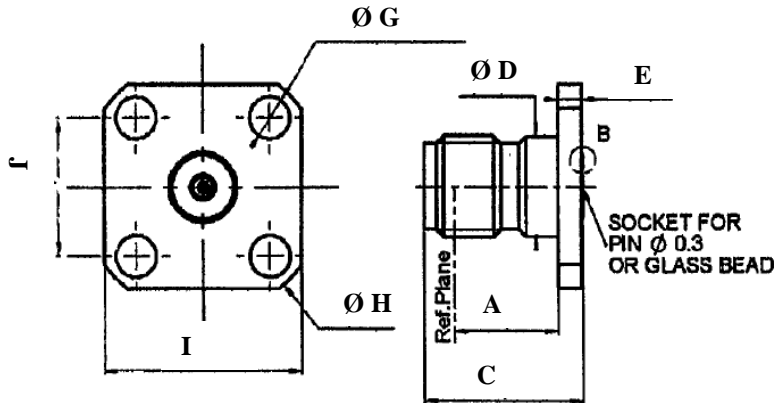
1- Limited up to 36GHz by cable

MECHANICAL CHARACTERISTICS	VALUES	UNITS
Mini centre contact retention force (axial)	27	N
Mini centre contact retention torque	Not Applicable	N.cm
Mini cable retention force	Not Applicable	N
Mini cable retention torque value	Not Applicable	N.cm
Maximum weight	2	g

OTHER CHARACTERISTICS	VALUES	UNITS
Rapid change of temperature (peak)	+165	°C
Operating temperature range	-65 to +165	°C
Maxi leakage (panel sealed connectors)	Not Applicable	-
Maxi leakage (hermetic sealed connector)	Not Applicable	-
Solderability	Not Applicable	-
Soldering proof	Not Applicable	-
Cable used	Not Applicable	-

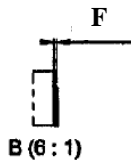
**Figure 2(b) – VARIANTS (CONTINUED)**

**Variant 04 – SQUARE FLANGE JACK RECEPTACLE FOR 0.3mm DIA. PIN**



Symbol	Millimetre		Notes
	Min.	Max.	
A	7.20	7.40	
C	10.67	10.84	
ØD	6.15	6.35	
E	1.40	1.70	
F	0.09	0.10	
ØG	2.55	2.70	4 Holes
ØH	15.90	16.10	
I	12.60	12.80	
J	8.59	8.69	

MOUNT WITH R280.760.000  
GLASS BEAD FOR  
HERMETIC APPLICATION



All dimensions are in mm

ELECTRICAL CHARACTERISTICS	VALUES	UNITS
Frequency range	0 to 40	GHz
Maximum voltage standing wave ration (VSWR) <sup>(1)</sup>	$1.05 + 0.005 \times F$ (GHz)	-
Maximum insertion loss <sup>(1)</sup>	$0.03\sqrt{F}$ (GHz)	dB
RF leakage <sup>(1)</sup>	- [90 - F (GHz)]	dB
Voltage proof	750	Vrms
Power Handling Category (Figure 1(a))	Category III	-

**Note:**

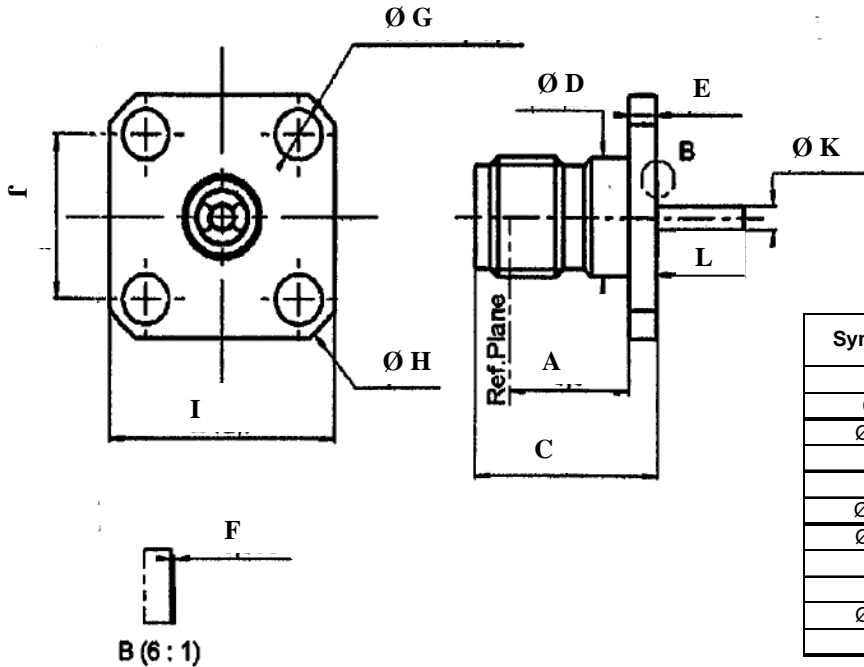
1- Limited up to 36GHz by cable

MECHANICAL CHARACTERISTICS	VALUES	UNITS
Mini centre contact retention force (axial)	27	N
Mini centre contact retention torque	Not Applicable	N.cm
Mini cable retention force	Not Applicable	N
Mini cable retention torque value	Not Applicable	N.cm
Maximum weight	3.3	g

OTHER CHARACTERISTICS	VALUES	UNITS
Rapid change of temperature (peak)	+165	°C
Operating temperature range	-65 to +165	°C
Maxi leakage (panel sealed connectors)	Not Applicable	-
Maxi leakage (hermetic sealed connector)	Not Applicable	-
Solderability	Not Applicable	-
Soldering proof	Not Applicable	-
Cable used	Not Applicable	-

**Figure 2(b) – VARIANTS (CONTINUED)**

**Variant 05 – ADJUSTABLE SQUARE FLANGE JACK RECEPTACLE WITH CYLINDRICAL CONTACT**



Symbol	Millimetre		Notes
	Min.	Max.	
A	7.20	7.40	
C	10.67	10.84	
ØD	6.15	6.35	
E	1.40	1.70	
F	0.09	0.10	
ØG	2.55	2.70	4 Holes
ØH	15.90	16.10	
I	12.60	12.80	
J	8.59	8.69	
ØK	1.26	1.28	
L	4.90	5.10	

All dimensions are in mm

ELECTRICAL CHARACTERISTICS	VALUES	UNITS
Frequency range	0 to 40	GHz
Maximum voltage standing wave ration (VSWR)	$1.05 + 0.005 \times F$ (GHz)	-
Maximum insertion loss	$0.03\sqrt{F}$ (GHz)	dB
RF leakage	- [90 - F (GHz)]	dB
Voltage proof	750	V <sub>rms</sub>
Power Handling Category (Figure 1(a))	Category I	-

MECHANICAL CHARACTERISTICS	VALUES	UNITS
Mini centre contact retention force (axial)	27	N
Mini centre contact retention torque	Not Applicable	N.cm
Mini cable retention force	60	N
Mini cable retention torque value	Not Applicable	N.cm
Maximum weight	5.7	g

OTHER CHARACTERISTICS	VALUES	UNITS
Rapid change of temperature (peak)	+165	°C
Operating temperature range	-65 to +165	°C
Maxi leakage (panel sealed connectors)	Not Applicable	-
Maxi leakage (hermetic sealed connector)	Not Applicable	-
Solderability	Applicable	-
Soldering proof	Not Applicable	-
Cable used	Not Applicable	-