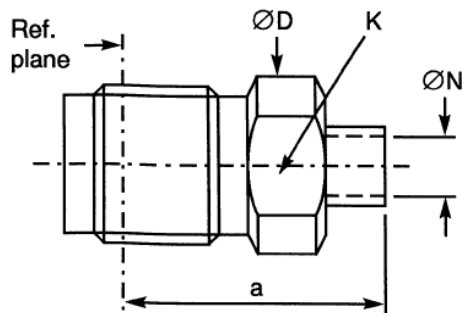


Figure 2(b) – VARIANTS (CONTINUED)
**Variant 01 – STRAIGHT JACK, SOLDER TYPE FOR SEMI-RIGID CABLE
 Ø2.20mm (0.085")**


SYMBOL	MILLIMETRES		NOTES
	MIN.	MAX.	
a	10.50	11.00	2 flats
ØD	6.60	6.80	
K	-	6.00	
ØN	2.25	2.35	

All dimensions are in mm

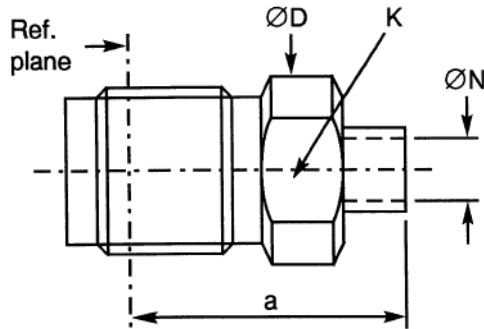
ELECTRICAL CHARACTERISTICS	VALUES	UNITS
Frequency range	0 to 18	GHz
Maximum voltage standing wave ration (VSWR)	$1.10 + 0.01 \times F$ (GHz)	-
Maximum insertion loss	$0.02\sqrt{F}$ (GHz)	dB
RF leakage ⁽²⁾	- [100-F(GHz)]	dB
Voltage proof	750	Vrms
Corona level	190	Vrms

MECHANICAL CHARACTERISTICS	VALUES	UNITS
Mini centre contact retention force (axial)	Not Applicable	N
Mini centre contact retention torque	Not Applicable	N.cm
Mini cable retention force	200	N
Mini cable retention torque value	11.5	N.cm
Maximum weight	1.5	g

OTHER CHARACTERISTICS	VALUES	UNITS
Rapid change of temperature (peak)	+200	°C
Operating temperature range	-65 to +165	°C
Maxi leakage (panel sealed connectors)	Not Applicable	-
Maxi leakage (hermetic sealed connector)	Not Applicable	-
Solderability	Applicable	-
Soldering proof	Not Applicable	-
Cable used	KS1, RG405/U, (Ø2.20mm)	-

Figure 2(b) – VARIANTS (CONTINUED)

Variant 02 – STRAIGHT JACK, SOLDER TYPE FOR SEMI-RIGID CABLE
Ø3.58mm (0.141")



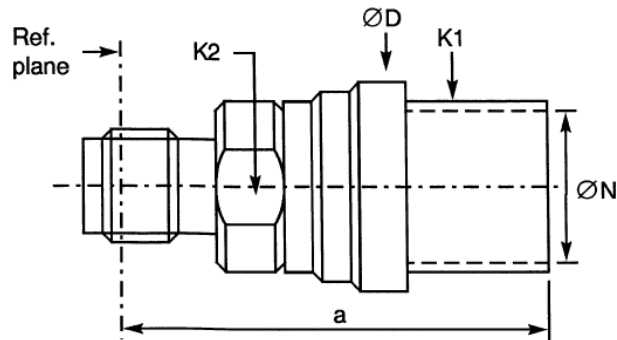
SYMBOL	MILLIMETRES		NOTES
	MIN.	MAX.	
a	10.60	11.00	2 flats
ØD	6.60	6.80	
K	-	6.00	
ØN	3.65	3.75	

All dimensions are in mm

ELECTRICAL CHARACTERISTICS	VALUES	UNITS
Frequency range	0 to 18	GHz
Maximum voltage standing wave ration (VSWR)	$1.05 + 0.04 \times F$ (GHz)	-
Maximum insertion loss	$0.02\sqrt{F}$ (GHz)	dB
RF leakage ⁽²⁾	- [100-F(GHz)]	dB
Voltage proof	1000	Vrms
Corona level	250	Vrms

MECHANICAL CHARACTERISTICS	VALUES	UNITS
Mini centre contact retention force (axial)	Not Applicable	N
Mini centre contact retention torque	Not Applicable	N.cm
Mini cable retention force	500	N
Mini cable retention torque value	39.6	N.cm
Maximum weight	1.6	g

OTHER CHARACTERISTICS	VALUES	UNITS
Rapid change of temperature (peak)	+200	°C
Operating temperature range	-65 to +165	°C
Maxi leakage (panel sealed connectors)	Not Applicable	-
Maxi leakage (hermetic sealed connector)	Not Applicable	-
Solderability	Applicable	-
Soldering proof	Not Applicable	-
Cable used	KS2, RG402/U, (Ø3.58mm)	-

Figure 2(b) – VARIANTS (CONTINUED)
Variant 03 – STRAIGHT JACK WITH CABLE CLAMP, SOLDER TYPE FOR SEMI-RIGID CABLE Ø6.35mm (0.250")


SYMBOL	MILLIMETRES		NOTES
	MIN.	MAX.	
a	21.50	22.50	
ØD	10.90	11.10	
K1	-	10.00	2 flats
K2	-	8.00	2 flats
ØN	6.45	6.70	

All dimensions are in mm

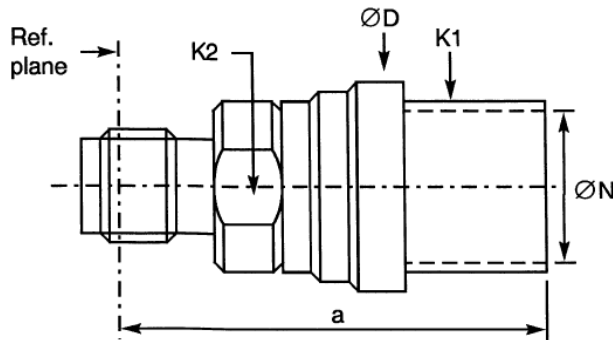
ELECTRICAL CHARACTERISTICS	VALUES	UNITS
Frequency range	0 to 18	GHz
Maximum voltage standing wave ration (VSWR)	$1.05 + 0.015 \times F$ (GHz)	-
Maximum insertion loss	$0.02\sqrt{F}$ (GHz)	dB
RF leakage ⁽²⁾	- [95-F(GHz)]	dB
Voltage proof	1000	Vrms
Corona level	250	Vrms

MECHANICAL CHARACTERISTICS	VALUES	UNITS
Mini centre contact retention force (axial)	Not Applicable	N
Mini centre contact retention torque	Not Applicable	N.cm
Mini cable retention force	300	N
Mini cable retention torque value	39.6	N.cm
Maximum weight	7.8	g

OTHER CHARACTERISTICS	VALUES	UNITS
Rapid change of temperature (peak)	+200	°C
Operating temperature range	-65 to +165	°C
Maxi leakage (panel sealed connectors)	Not Applicable	-
Maxi leakage (hermetic sealed connector)	Not Applicable	-
Solderability	On centre contact only	-
Soldering proof	Not Applicable	-
Cable used	KS3, RG401/U, (Ø6.35mm)	-

Figure 2(b) – VARIANTS (CONTINUED)

Variant 04 – STRAIGHT JACK WITH CABLE CLAMP, SOLDER TYPE FOR SEMI-RIGID CABLE MICROPOROUS Ø6.35mm (0.250")



SYMBOL	MILLIMETRES		NOTES
	MIN.	MAX.	
a	21.50	22.50	
ØD	10.90	11.10	
K1	-	10.00	2 flats
K2	-	8.00	2 flats
ØN	6.45	6.70	

All dimensions are in mm

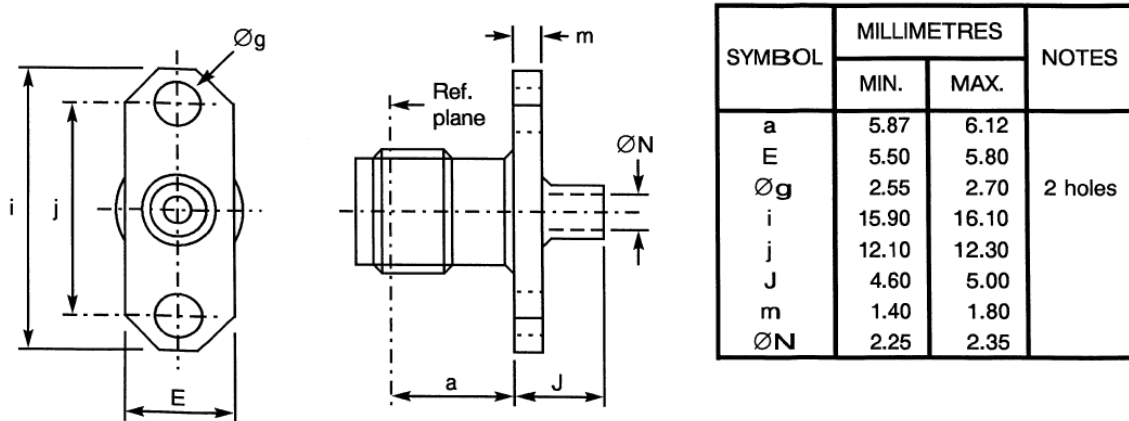
ELECTRICAL CHARACTERISTICS	VALUES	UNITS
Frequency range	0 to 18	GHz
Maximum voltage standing wave ration (VSWR)	$1.05 + 0.015 \times F$ (GHz)	-
Maximum insertion loss	$0.02\sqrt{F}$ (GHz)	dB
RF leakage ⁽²⁾	- [95-F(GHz)]	dB
Voltage proof	1000	Vrms
Corona level	250	Vrms

MECHANICAL CHARACTERISTICS	VALUES	UNITS
Mini centre contact retention force (axial)	Not Applicable	N
Mini centre contact retention torque	Not Applicable	N.cm
Mini cable retention force	300	N
Mini cable retention torque value	39.6	N.cm
Maximum weight	7.8	g

OTHER CHARACTERISTICS	VALUES	UNITS
Rapid change of temperature (peak)	+200	°C
Operating temperature range	-65 to +165	°C
Maxi leakage (panel sealed connectors)	Not Applicable	-
Maxi leakage (hermetic sealed connector)	Not Applicable	-
Solderability	On centre contact only	-
Soldering proof	Not Applicable	-
Cable used	Microporous Ø6.35mm	-

Figure 2(b) – VARIANTS (CONTINUED)

Variant 09 – STRAIGHT JACK, SOLDER TYPE, BACK MOUNTING, 2 HOLE, FLANGE-MOUNTED FOR SEMI-RIGID CABLE Ø2.20mm (0.085")



NOTES

1. Maximum panel thickness: 2.30mm.

All dimensions are in mm

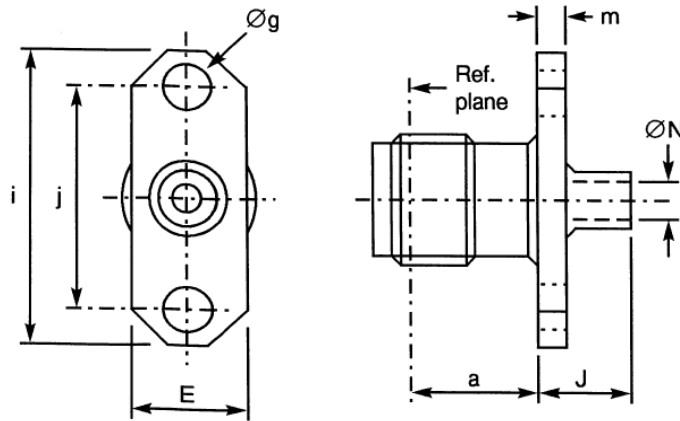
ELECTRICAL CHARACTERISTICS	VALUES	UNITS
Frequency range	0 to 18	GHz
Maximum voltage standing wave ration (VSWR)	$1.10 + 0.01 \times F$ (GHz)	-
Maximum insertion loss	$0.02\sqrt{F}$ (GHz)	dB
RF leakage ⁽²⁾	- [100-F(GHz)]	dB
Voltage proof	750	Vrms
Corona level	190	Vrms

MECHANICAL CHARACTERISTICS	VALUES	UNITS
Mini centre contact retention force (axial)	Not Applicable	N
Mini centre contact retention torque	Not Applicable	N.cm
Mini cable retention force	200	N
Mini cable retention torque value	11.5	N.cm
Maximum weight	3.0	g

OTHER CHARACTERISTICS	VALUES	UNITS
Rapid change of temperature (peak)	+200	°C
Operating temperature range	-65 to +165	°C
Maxi leakage (panel sealed connectors)	Not Applicable	-
Maxi leakage (hermetic sealed connector)	Not Applicable	-
Solderability	Applicable	-
Soldering proof	Not Applicable	-
Cable used	KS1, RG405/U, (Ø2.20mm)	-

Figure 2(b) – VARIANTS (CONTINUED)

Variant 10 – STRAIGHT JACK, SOLDER TYPE, BACK MOUNTING, 2 HOLE, FLANGE-MOUNTED FOR SEMI-RIGID CABLE Ø3.58mm (0.141”)



SYMBOL	MILLIMETRES		NOTES
	MIN.	MAX.	
a	5.87	6.12	2 holes
E	5.50	5.80	
Øg	2.55	2.70	
i	15.90	16.10	
j	12.10	12.30	
J	4.60	5.00	
m	1.40	1.80	
ØN	3.65	3.75	

NOTES

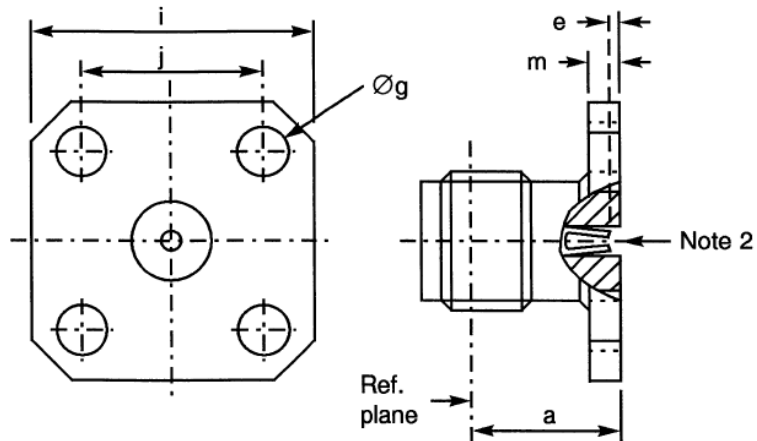
1. Maximum panel thickness: 2.30mm.

All dimensions are in mm

ELECTRICAL CHARACTERISTICS	VALUES	UNITS
Frequency range	0 to 18	GHz
Maximum voltage standing wave ration (VSWR)	$1.05 + 0.04 \times F$ (GHz)	-
Maximum insertion loss	$0.02\sqrt{F}$ (GHz)	dB
RF leakage ⁽²⁾	- [100-F(GHz)]	dB
Voltage proof	1000	Vrms
Corona level	250	Vrms

MECHANICAL CHARACTERISTICS	VALUES	UNITS
Mini centre contact retention force (axial)	Not Applicable	N
Mini centre contact retention torque	Not Applicable	N.cm
Mini cable retention force	500	N
Mini cable retention torque value	39.6	N.cm
Maximum weight	3.0	g

OTHER CHARACTERISTICS	VALUES	UNITS
Rapid change of temperature (peak)	+200	°C
Operating temperature range	-65 to +165	°C
Maxi leakage (panel sealed connectors)	Not Applicable	-
Maxi leakage (hermetic sealed connector)	Not Applicable	-
Solderability	Applicable	-
Soldering proof	Not Applicable	-
Cable used	KS2, RG402/U, (Ø3.58mm)	-

Figure 2(b) – VARIANTS (CONTINUED)
Variant 42 – SQUARE FLANGE RECEPTACLE LOW RF LEAKAGE


SYMBOL	MILLIMETRES		NOTES
	MIN.	MAX.	
a	7.50	7.70	4 holes
e	0.18	0.41	
Øg	2.55	2.70	
i	12.60	12.80	
j	8.59	8.69	
m	1.40	1.80	

All dimensions are in mm

ELECTRICAL CHARACTERISTICS	VALUES	UNITS
Frequency range	0 to 18	GHz
Maximum voltage standing wave ration (VSWR) ⁽¹⁾	1.06 + 0.007 x F (GHz)	-
Maximum insertion loss ⁽¹⁾	0.03√F (GHz)	dB
RF leakage ⁽²⁾	-120 at 10 GHz	dB
Voltage proof	1000	Vrms
Corona level	Not Applicable	Vrms

Notes:

1- For information only.

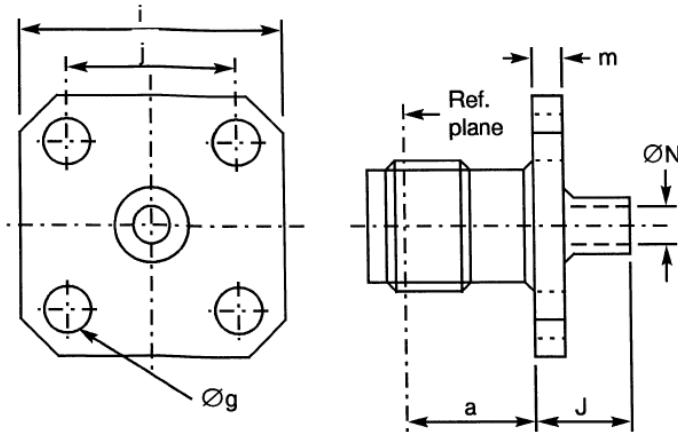
2- Contact engagement and separation forces shall be measured on the rear contact (see para. 4.3.8).

MECHANICAL CHARACTERISTICS	VALUES	UNITS
Mini centre contact retention force (axial)	27	N
Mini centre contact retention torque	2.8	N.cm
Mini cable retention force	Not Applicable	N
Mini cable retention torque value	Not Applicable	N.cm
Maximum weight	3.0	g

OTHER CHARACTERISTICS	VALUES	UNITS
Rapid change of temperature (peak)	+180	°C
Operating temperature range	-65 to +165	°C
Maxi leakage (panel sealed connectors)	Not Applicable	-
Maxi leakage (hermetic sealed connector)	Not Applicable	-
Solderability	Not Applicable	-
Soldering proof	Not Applicable	-
Cable used	Not Applicable	-

Figure 2(b) – VARIANTS (CONTINUED)

Variant 68 – STRAIGH JACK, SOLDER TYPE, BACK MOUNTING, FLANGE MOUNTED FOR SEMI-RIGID CABLE Ø2.20mm (0.085”)



SYMBOL	MILLIMETRES		NOTES
	MIN.	MAX.	
a	5.87	6.12	4 holes
Øg	2.55	2.70	
i	12.60	12.80	
j	8.59	8.69	
J	4.60	5.00	
m	1.40	1.80	
ØN	2.25	2.35	

NOTES

1. Maximum panel thickness: 2.30mm.

All dimensions are in mm

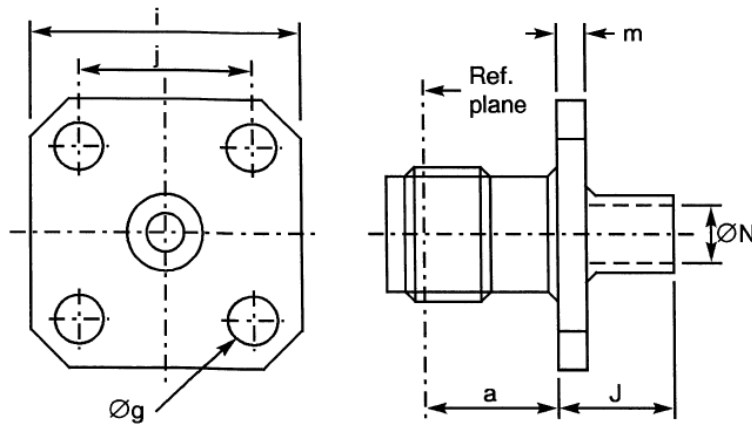
ELECTRICAL CHARACTERISTICS	VALUES	UNITS
Frequency range	0 to 18	GHz
Maximum voltage standing wave ration (VSWR)	$1.10 + 0.01 \times F$ (GHz)	-
Maximum insertion loss	$0.02\sqrt{F}$ (GHz)	dB
RF leakage	$-(100-F(\text{GHz}))$	dB
Voltage proof	750	Vrms
Corona level	190	Vrms

MECHANICAL CHARACTERISTICS	VALUES	UNITS
Mini centre contact retention force (axial)	Not Applicable	N
Mini centre contact retention torque	Not Applicable	N.cm
Mini cable retention force	200	N
Mini cable retention torque value	11.5	N.cm
Maximum weight	4	g

OTHER CHARACTERISTICS	VALUES	UNITS
Rapid change of temperature (peak)	+200	°C
Operating temperature range	-65 to +165	°C
Maxi leakage (panel sealed connectors)	Not Applicable	-
Maxi leakage (hermetic sealed connector)	Not Applicable	-
Solderability	Applicable	-
Soldering proof	Not Applicable	-
Cable used	KS1, RG405/U (Ø2.20mm)	-

Figure 2(b) – VARIANTS (CONTINUED)

Variant 69 – STRAIGH JACK, SOLDER TYPE, BACK MOUNTING, FLANGE MOUNTED FOR SEMI-RIGID CABLE Ø3.58mm (0.141”)



SYMBOL	MILLIMETRES		NOTES
	MIN.	MAX.	
a	5.87	6.12	4 holes
Øg	2.55	2.70	
i	12.60	12.80	
j	8.59	8.69	
J	4.60	5.00	
m	1.40	1.80	
ØN	3.65	3.75	

NOTES

1. Maximum panel thickness: 2.30mm.

All dimensions are in mm

ELECTRICAL CHARACTERISTICS	VALUES	UNITS
Frequency range	0 to 18	GHz
Maximum voltage standing wave ration (VSWR)	$1.05 + 0.04 \times F$ (GHz)	-
Maximum insertion loss	$0.02\sqrt{F}$ (GHz)	dB
RF leakage	$-(100-F(\text{GHz}))$	dB
Voltage proof	1000	Vrms
Corona level	250	Vrms

MECHANICAL CHARACTERISTICS	VALUES	UNITS
Mini centre contact retention force (axial)	Not Applicable	N
Mini centre contact retention torque	Not Applicable	N.cm
Mini cable retention force	500	N
Mini cable retention torque value	39.6	N.cm
Maximum weight	4	g

OTHER CHARACTERISTICS	VALUES	UNITS
Rapid change of temperature (peak)	+200	°C
Operating temperature range	-65 to +165	°C
Maxi leakage (panel sealed connectors)	Not Applicable	-
Maxi leakage (hermetic sealed connector)	Not Applicable	-
Solderability	Applicable	-
Soldering proof	Not Applicable	-
Cable used	KS2, RG402/U (Ø3.58mm)	-