

DR 529 MARKUP.
S.I. 13/7/9.

27


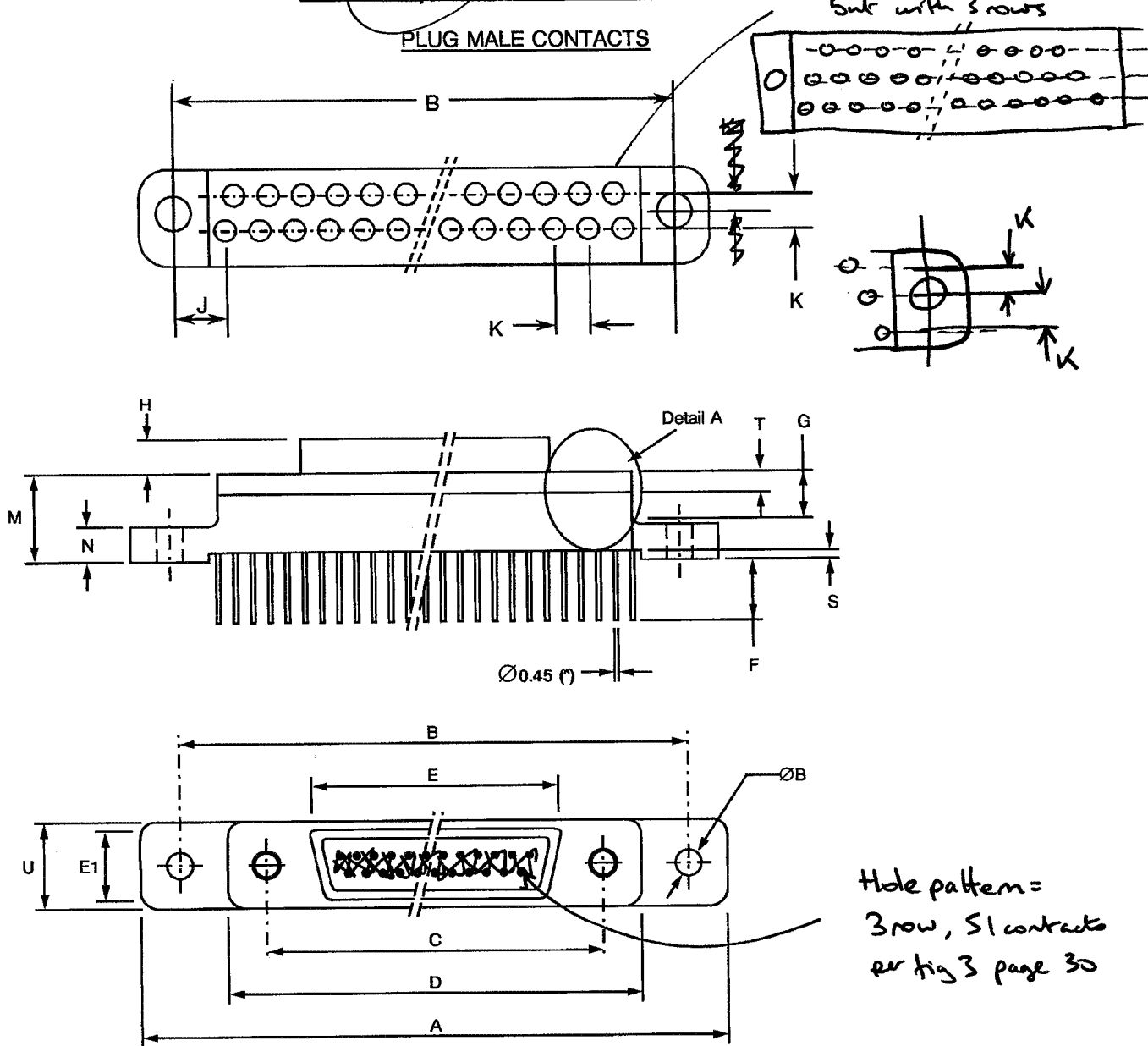
| | | |
|---|---|-------------------------------|
|  | ESCC Detail Specification No. 3401/029 | PAGE 28 ISSUE 5 |
|---|---|-------------------------------|

FIGURE 2 - PHYSICAL DIMENSIONS (CONTINUED)

FIGURE 2.2 ^I - CONNECTORS TYPE -FR139

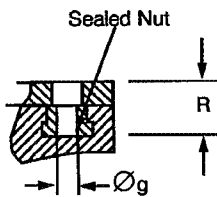
PLUG MALE CONTACTS

hole pattern similar
but with 3 rows



Hole pattern =
3 row, 51 contacts
per fig 3 page 30

DETAIL A





ESCC Detail Specification
No. 3401/029

FIGURE 2 - PHYSICAL DIMENSIONS (CONTINUED)

FIGURE 2.2G - CONNECTOR TYPE - FR139 (CONTINUED)

PLUG MALE CONTACTS (CONTINUED)

| Shell Size | A | | B | | ØB (4X3) | | C | | D | E | E1 | F | | G | H | J |
|------------|-------|-------|-------|------|----------|-------|-------|-------|-------|------|------|------|------|------|------|---|
| | Max. | Min. | Max. | Min. | Max. | Min. | Max. | Min. | Max. | Max. | Max. | Min. | Max. | Min. | Max. | |
| 9 | 35.31 | 29.03 | 29.39 | 2.31 | 2.59 | 14.22 | 14.48 | 19.94 | 8.46 | 4.69 | 4.15 | 4.85 | 4.6 | 4.72 | 3.91 | |
| 15 | 35.81 | 29.03 | 29.39 | 2.31 | 2.59 | 18.08 | 18.29 | 23.75 | 12.27 | 4.69 | 4.15 | 4.85 | 4.6 | 4.72 | 3.91 | |
| 21 | 42.93 | 36.65 | 37.01 | 2.31 | 2.59 | 21.84 | 22.1 | 27.56 | 16.08 | 4.69 | 4.15 | 4.85 | 4.6 | 4.72 | 3.91 | |
| 25 | 44.2 | 37.92 | 38.28 | 2.31 | 2.59 | 24.38 | 24.64 | 30.10 | 18.62 | 4.69 | 4.15 | 4.85 | 4.6 | 4.72 | 3.91 | |
| 31 | 51.82 | 45.54 | 45.9 | 2.31 | 2.59 | 28.19 | 28.45 | 33.91 | 22.43 | 4.69 | 4.15 | 4.85 | 4.6 | 4.72 | 3.91 | |
| 37 | 59.44 | 53.16 | 53.52 | 2.31 | 2.59 | 32.0 | 32.26 | 37.72 | 26.24 | 4.69 | 4.15 | 4.85 | 4.6 | 4.72 | 3.91 | |

| Shell Size | K | M | | N | | R | S | | T | | U |
|------------|------|------|------|------|------|------|------|------|------|------|------|
| | Typ. | Min. | Max. | Min. | Max. | Min. | Min. | Max. | Min. | Max. | Max. |
| 9 | 2.54 | 8.62 | 9.02 | 4.0 | 4.2 | 4.6 | 0.9 | 1.1 | 2.23 | 2.49 | 7.82 |
| 15 | 2.54 | 8.62 | 9.02 | 4.0 | 4.2 | 4.6 | 0.9 | 1.1 | 2.23 | 2.49 | 7.82 |
| 21 | 2.54 | 8.62 | 9.02 | 4.0 | 4.2 | 4.6 | 0.9 | 1.1 | 2.23 | 2.49 | 7.82 |
| 25 | 2.54 | 8.62 | 9.02 | 4.0 | 4.2 | 4.6 | 0.9 | 1.1 | 2.23 | 2.49 | 7.82 |
| 31 | 2.54 | 8.62 | 9.02 | 4.0 | 4.2 | 4.6 | 0.9 | 1.1 | 2.23 | 2.49 | 7.82 |
| 37 | 2.54 | 8.62 | 9.02 | 4.0 | 4.2 | 4.6 | 0.9 | 1.1 | 2.23 | 2.49 | 7.82 |

NOTES

- All dimensions are in millimetres.
- For reference to Para. A.5.2.3 of this specification.
- Øg: 2.56-UNC-2B.
- Maximum torque 0.44Nm.

delete K1



FIGURE 2 - PHYSICAL DIMENSIONS (CONTINUED)

FIGURE 2.2H - CONNECTORS TYPE -FR139

RECEPTACLE FEMALE CONTACTS

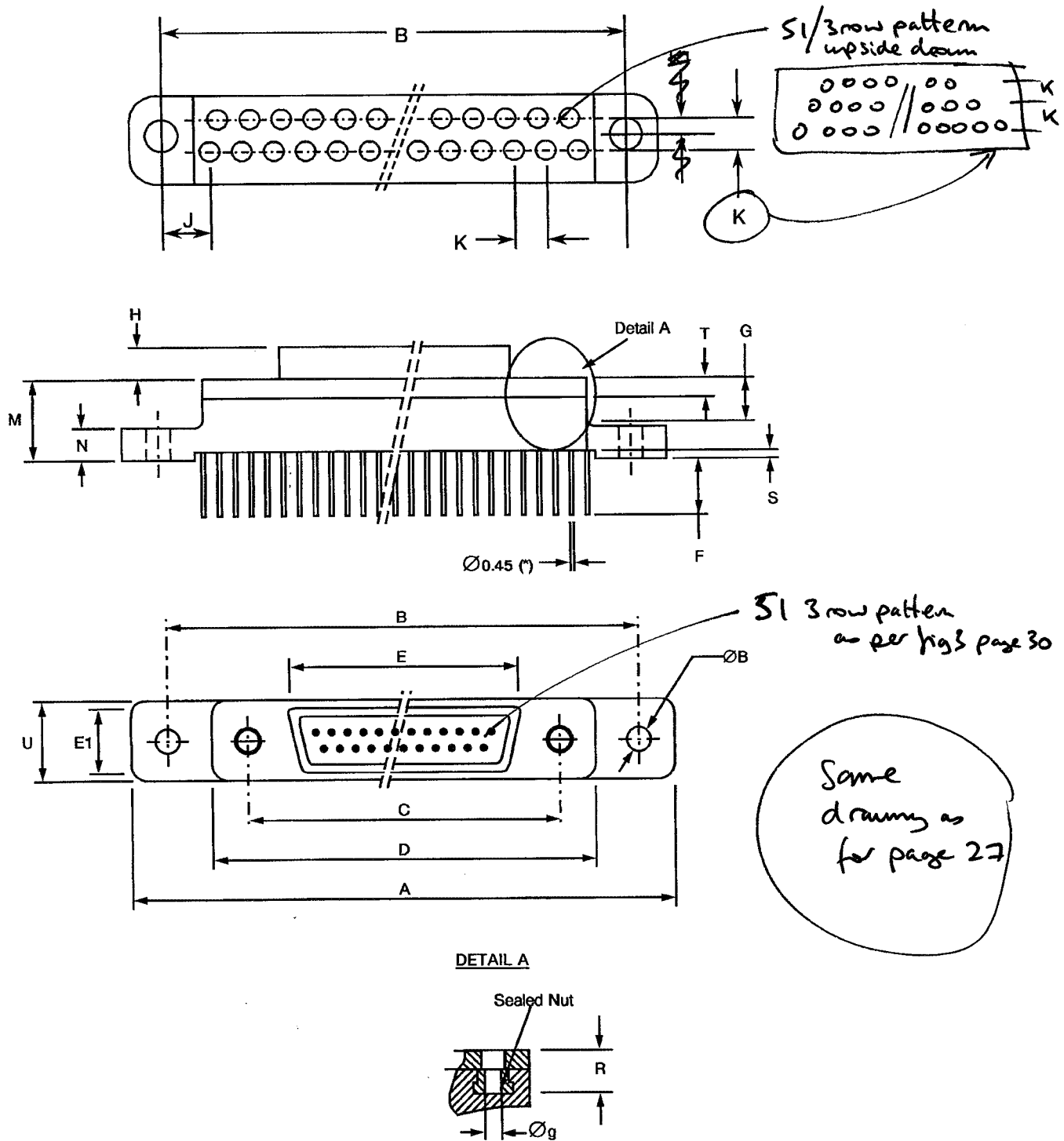


FIGURE 2 - PHYSICAL DIMENSIONS (CONTINUED)

FIGURE 2.2H - CONNECTOR TYPE - FR139 (CONTINUED)

RECEPTACLE FEMALE CONTACTS (CONTINUED)

| Shell Size | A | | B | | ØB (3) | | C | | D | E | E1 | E | | G | H | J | K |
|------------|-------|-------|-------|------|--------|-------|-------|-------|-------|------|------|------|------|------|------|------|------|
| | Max. | Min. | Max. | Min. | Max. | Min. | Max. | Min. | Max. | Max. | Max. | Min. | Max. | Min. | Max. | Typ. | Typ. |
| 9 | 35.31 | 29.03 | 29.39 | 2.31 | 2.59 | 14.22 | 14.48 | 19.94 | 10.16 | 6.38 | 4.15 | 4.85 | 4.6 | 5.05 | 9.53 | 2.54 | |
| 15 | 35.31 | 29.03 | 29.39 | 2.31 | 2.59 | 18.03 | 18.29 | 28.35 | 13.97 | 6.38 | 4.15 | 4.85 | 4.6 | 5.05 | 5.72 | 2.54 | |
| 21 | 42.93 | 36.65 | 37.01 | 2.31 | 2.59 | 21.84 | 22.1 | 27.56 | 17.78 | 6.38 | 4.15 | 4.85 | 4.6 | 5.05 | 5.72 | 2.54 | |
| 25 | 44.2 | 37.92 | 38.28 | 2.31 | 2.59 | 24.38 | 24.64 | 30.10 | 20.32 | 6.38 | 4.15 | 4.85 | 4.6 | 5.05 | 3.81 | 2.54 | |
| 31 | 51.82 | 45.54 | 45.9 | 2.31 | 2.59 | 28.19 | 28.45 | 33.91 | 24.13 | 6.38 | 4.15 | 4.85 | 4.6 | 5.05 | 3.81 | 2.54 | |
| 37 | 59.44 | 53.16 | 53.52 | 2.31 | 2.59 | 32.0 | 32.26 | 37.72 | 27.94 | 6.38 | 4.15 | 4.85 | 4.6 | 5.05 | 3.81 | 2.54 | |

| Shell Size | Z1 | | M | | N | | R | S | | T | | U |
|------------|------|------|------|------|------|------|------|------|------|------|------|---|
| | Min. | Max. | Min. | Max. | Min. | Max. | Min. | Max. | Min. | Max. | Max. | |
| 9 | 1.27 | 9.02 | 4.0 | 4.2 | 4.6 | 0.9 | 1.1 | 2.23 | 2.49 | 7.82 | | |
| 15 | 1.27 | 9.02 | 4.0 | 4.2 | 4.6 | 0.9 | 1.1 | 2.23 | 2.49 | 7.82 | | |
| 21 | 1.27 | 9.02 | 4.0 | 4.2 | 4.6 | 0.9 | 1.1 | 2.23 | 2.49 | 7.82 | | |
| 25 | 1.27 | 9.02 | 4.0 | 4.2 | 4.6 | 0.9 | 1.1 | 2.23 | 2.49 | 7.82 | | |
| 31 | 1.27 | 9.02 | 4.0 | 4.2 | 4.6 | 0.9 | 1.1 | 2.23 | 2.49 | 7.82 | | |
| 37 | 1.27 | 9.02 | 4.0 | 4.2 | 4.6 | 0.9 | 1.1 | 2.23 | 2.49 | 7.82 | | |

- NOTES**
1. All dimensions are in millimetres.
 2. ~~For reference to Para 4.5.3 of this specification.~~
 3. Øg: 2-56-UNC-2B.
 4. Maximum torque 0.44Nm.
- delete K1*

51 59.44 53.16 53.52 2.31 2.59 30.73 30.99 36.5 26.67 7.47 4.15 4.85 4 5.05 3.81 2.54

9.62 9.02 4 4.2 4 0.9 1.1 2.23 2.49 9.