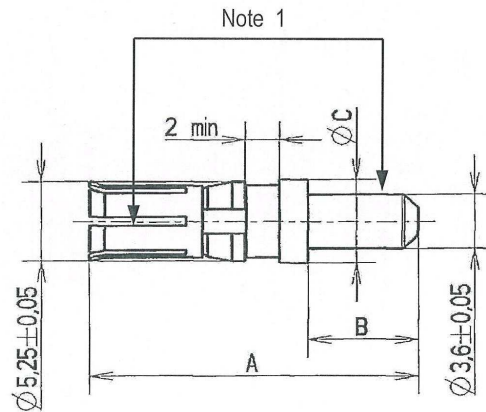


**FIGURE 2 – PHYSICAL DIMENSIONS (CONTINUED)**

FIGURE 2(d) – SAVERS TYPE



Variant 17

Variant (Note 2)	Type	A Max.	B Min.	ø C Max.
17	Saver	20,20	6,50	5,66

**NOTES:**

1. Measurement point for gold-plating thickness.
2. All dimensions are in millimetres.