



Pages 1 to 17

**ACCESSORIES FOR RECTANGULAR CONNECTORS,
3401/001, 3401/002 AND CONNECTOR SAVERS 3401/020**

ESCC Detail Specification No. 3401/022

Issue 4	January 2009
----------------	---------------------



Document Custodian: European Space Agency - see <https://escies.org>

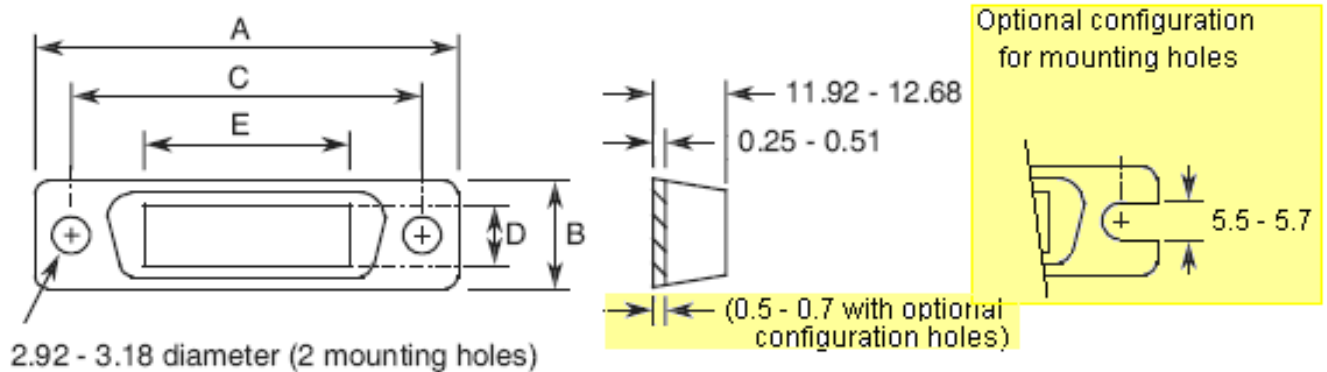
TABLE 1(a) - TYPE VARIANTS

VARIANT	DESCRIPTION		WEIGHT (g)
01	Screw Lock Assembly Brass (Female)		1.9
02	Screw Lock Assembly Brass (Male/slotted head screw)	Without Back Shell	0.85
03	Screw Lock Assembly Brass (Male/slotted head screw)	Without Back Shell	0.85
04	Screw Lock Assembly Brass (Male/slotted head screw)	Without Back Shell	1.0
05	Screw Lock Assembly Brass (Male/slotted head screw)	Without Back Shell	1.0
06	Screw Lock Assembly Brass (Female) for Savers		2.0
07	Dust Cap (Female)	Size E	N/A
08	Dust Cap (Male)	Size E	N/A
09	Dust Cap (Female)	Size A	N/A
10	Dust Cap (Male)	Size A	N/A
11	Dust Cap (Female)	Size B	N/A
12	Dust Cap (Male)	Size B	N/A
13	Dust Cap (Female)	Size C	N/A
14	Dust Cap (Male)	Size C	N/A
15	Dust Cap (Female)	Size D	N/A
16	Dust Cap (Male)	Size D	N/A
17	Potting Shell	Size A	N/A
18	Potting Shell	Size B	N/A
19	Potting Shell	Size C	N/A
20	Potting Shell	Size D	N/A
21	Back-Shell for Strapped Connections	Size A	8.4
22	Back-Shell for Strapped Connections	Size B	11.6
23	Back-Shell for Strapped Connections	Size C	15.5
24	Back-Shell for Strapped Connections	Size D	16.6
25	Cable Clamp, Straight	Size A	10.6
26	Cable Clamp, Straight	Size B	13.7
27	Cable Clamp, Straight	Size C	18.4
28	Cable Clamp, Straight	Size D	19.8
29	Cable Clamp, Round	Size E	9.0
30	Cable Clamp, Round	Size A	11
31	Cable Clamp, Round	Size B	13
32	Cable Clamp, Round	Size C	15
33	Cable Clamp, Round	Size D	16
34	Deep Straight Clamp	Size E	13
35	Deep Straight Clamp	Size A	16.3
36	Deep Straight Clamp	Size B	26.5

VARIANT	DESCRIPTION		WEIGHT (g)
37	Deep Straight Clamp	Size C	35
38	Deep Straight Clamp	Size D	38.5
39	Right Angle Clamp	Size E	14.6
40	Right Angle Clamp	Size A	17.2
41	Right Angle Clamp	Size B	21.4
42	Right Angle Clamp	Size C	33.3
43	Right Angle Clamp	Size D	38.7
44	Screw Lock Assembly Brass (Male/slotted head screw)	With Back Shell	0.85
45	Screw Lock Assembly Brass (Male/slotted head screw)	With Back Shell	0.85
46	Screw Lock Assembly Brass (Male/slotted head screw)	With Back Shell	1.0
47	Screw Lock Assembly Brass (Male/slotted head screw)	With Back Shell	1.0
48	Screw Lock Assembly Stainless Steel (Female)		1.80
49	Screw Lock Assembly Stainless Steel (Male/slotted head screw)	Without Back Shell	0.8
50	Screw Lock Assembly Stainless Steel (Male/slotted head screw)	Without Back Shell	0.8
51	Screw Lock Assembly Stainless Steel (Male/slotted head screw)	Without Back Shell	1.0
52	Screw Lock Assembly Stainless Steel (Male/slotted head screw)	Without Back Shell	1.0
53	Screw Lock Assembly Stainless Steel (Female) for Savers		1.9
54	Screw Lock Assembly Stainless Steel (Male/slotted head screw)	With Back Shell	0.8
55	Screw Lock Assembly Stainless Steel (Male/slotted head screw)	With Back Shell	0.8
56	Screw Lock Assembly Stainless Steel (Male/slotted head screw)	With Back Shell	1.0
57	Screw Lock Assembly Stainless Steel (Male/slotted head screw)	With Back Shell	1.0
58	Screw Lock Assembly Brass (Female) for Feedthrough		2.0
59	Screw Lock Assembly Stainless Steel (Female) for Feedthrough		1.86
60	60° Angled Clamp	Size E	9.0
61	60° Angled Clamp	Size A	11
62	60° Angled Clamp	Size B	12
63	60° Angled Clamp	Size C	15
64	60° Angled Clamp	Size D	16
65	Screw Lock Assembly Brass (male/hex. hole head screw)	Without Back Shell	0.85
66	Screw Lock Assembly Brass (male/hex. hole head screw)	Without Back Shell	0.85
67	Screw Lock Assembly Brass (male/hex. hole head screw)	Without Back Shell	1.0
68	Screw Lock Assembly Brass (male/hex. hole head screw)	Without Back Shell	1.0

VARIANT	A		B		C		D	
	MIN.	MAX.	MIN.	MAX.	MIN.	MAX.	MIN.	MAX.
10	27.1	27.7	25.4	26.0	10.2	10.8	8.5	9.1
11	39.4	40.0	37.7	38.3	8.9	9.5	7.2	7.8
12	41.2	41.8	39.5	40.1	10.2	10.8	8.9	9.6
13	55.8	56.4	54.1	54.7	8.9	9.5	7.2	7.8
14	57.6	58.2	56.0	56.0	10.2	10.8	8.9	9.6
15	53.4	54.0	51.7	52.3	11.7	12.3	10.0	10.6
16	55.0	55.6	53.3	53.9	13.3	13.9	11.6	12.2

FIGURE 2(c)- POTTING SHELLS (All dimension in millimetres)

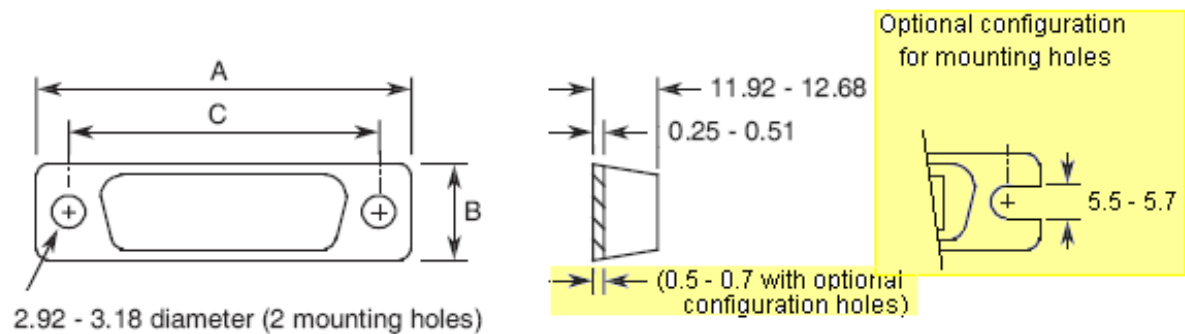


NOTES:

1. Weight: Not applicable because not on board.

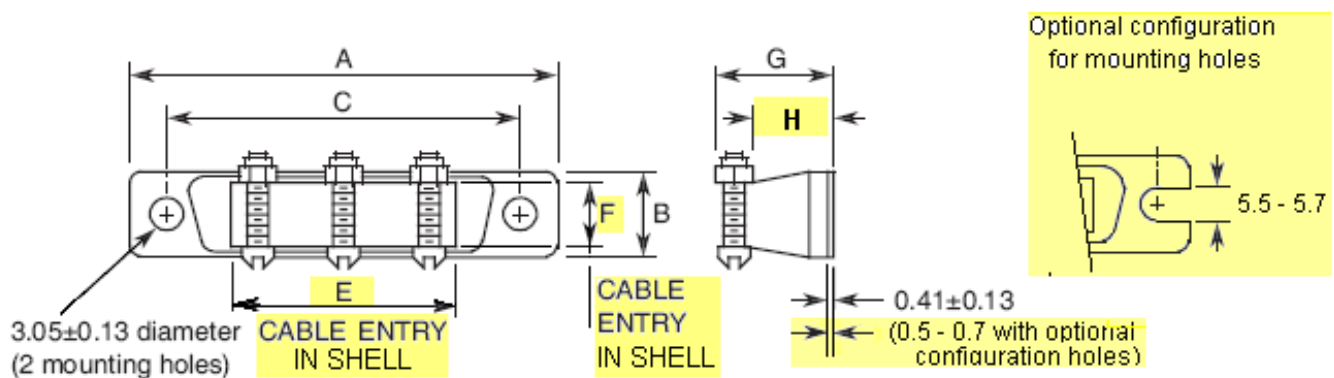
VARIANT	A		B		C		D		E	
	MIN.	MAX.	MIN.	MAX.	MIN.	MAX.	MIN.	MAX.	MIN.	MAX.
TBD	30.32	31.08	12.32	13.08	24.74	25.24	7.1	8.1	8.48	9.52
17	38.51	39.27	12.32	13.08	33.08	33.58	7.1	8.1	14.4	15.44
18	52.4	53.16	12.32	13.08	46.79	47.29	7.1	8.1	28.0	29.08
19	68.66	69.42	12.32	13.08	63.25	63.75	7.1	8.1	43.94	45.0
20	66.29	67.05	15.09	15.85	60.86	61.36	9.4	10.4	43.94	45.0

FIGURE 2(d) - BACK SHELLS (FOR STRAPPED CONNECTIONS) (All dimensions in millimetres)



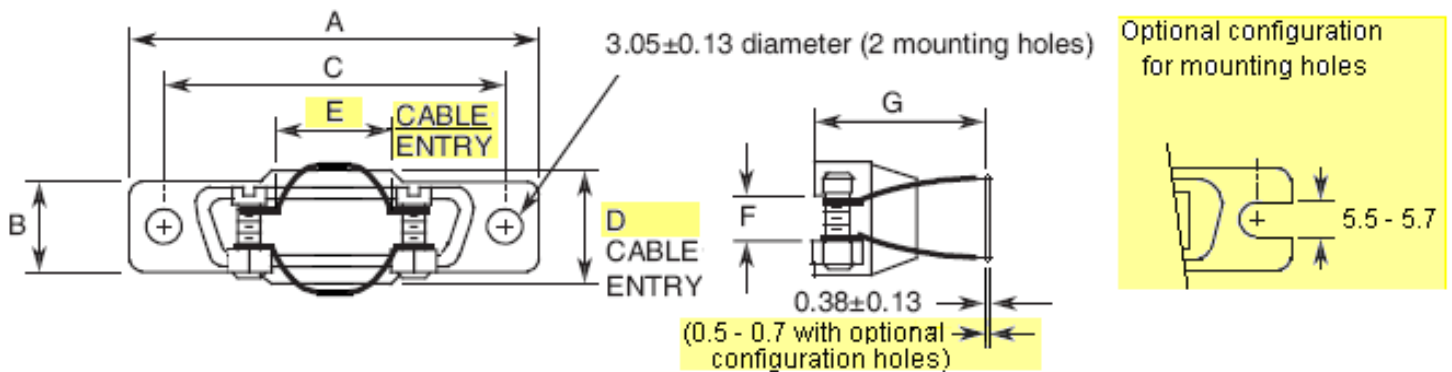
VARIANT	A		B		C	
	MIN.	MAX.	MIN.	MAX.	MIN.	MAX.
TBD	30.32	31.08	12.32	13.08	24.74	25.24
21	38.51	39.27	12.32	13.08	33.08	33.58
22	52.4	53.16	12.32	13.08	46.79	47.29
23	68.66	69.42	12.32	13.08	63.25	63.75
24	66.29	67.05	15.09	15.85	60.86	61.36

FIGURE 2(e) - CABLE CLAMPS (All dimensions in millimetres)
STRAIGHT CLAMP



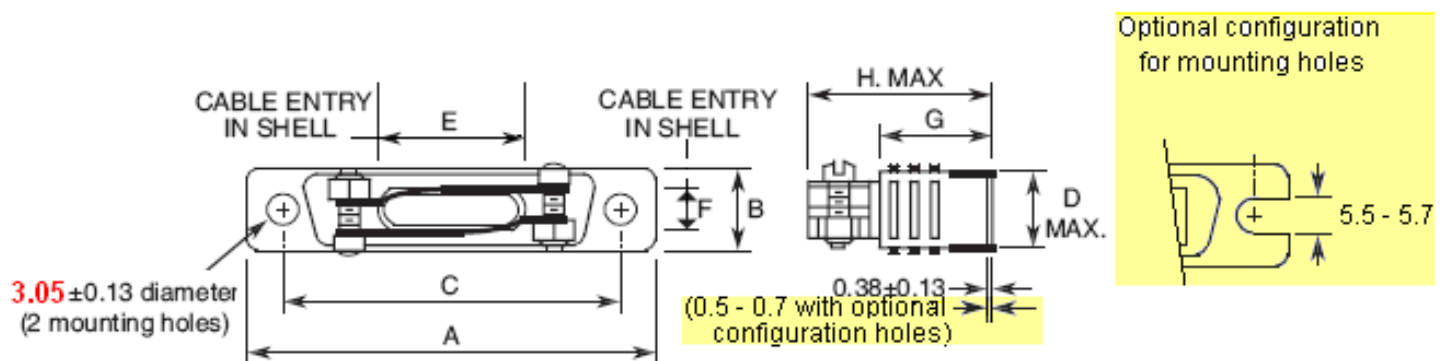
VARIANT	No. of Cable Locking Screws Required	A		B		C		E		F		G		H	
		MIN.	MAX.	MIN.	MAX.	MIN.	MAX.	MIN.	MAX.	MIN.	MAX.	MIN.	MAX.	MIN.	MAX.
TBD	2	30.32	31.08	12.32	13.08	24.74	25.24	10.62	11.38	7.12	7.88	15.7	16.7	10.32	11.08
25	2	38.51	39.27	12.32	13.08	33.08	33.58	18.62	19.38	7.12	7.88	15.7	16.7	10.32	11.08
26	2	52.4	53.16	12.32	13.08	46.79	47.29	31.62	32.38	7.12	7.88	15.7	16.7	10.32	11.08
27	3	68.66	69.42	12.32	13.08	63.25	63.75	47.62	48.38	7.12	7.88	15.7	16.7	10.32	11.08
28	3	66.29	67.05	15.09	15.85	60.86	61.36	45.62	46.38	9.52	10.28	17.3	18.3	11.92	12.68

ROUND CLAMP



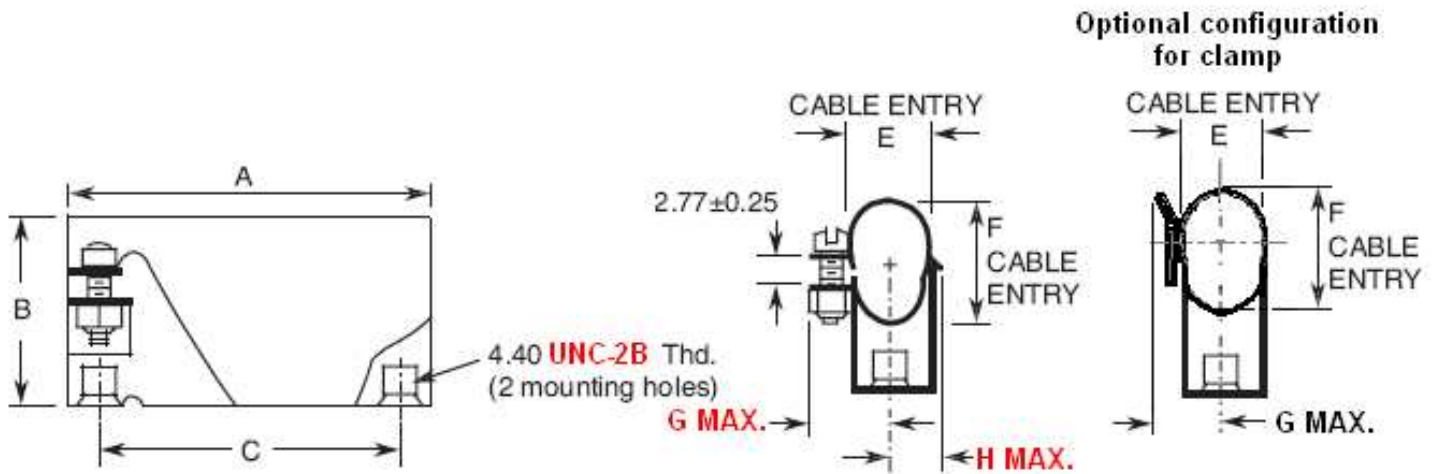
VARIANT	A		B		C		D		E		F		G	
	MIN.	MAX.	MIN.	MAX.	MIN.	MAX.	MIN.	MAX.	MIN.	MAX.	MIN.	MAX.	MIN.	MAX.
29	30.32	31.08	12.32	13.08	24.74	25.24	10.12	10.88	10.12	10.88	2.82	3.58	25.4	27.0
30	38.51	39.27	12.32	13.08	33.08	33.58	10.72	11.48	10.72	11.48	2.82	3.58	25.4	27.0
31	52.40	53.16	12.32	13.08	46.79	47.29	10.72	11.48	17.72	18.48	4.32	5.08	26.2	27.8
32	68.66	69.42	12.32	13.08	63.25	63.75	10.72	11.48	24.72	25.48	5.92	6.73	26.2	27.8
33	66.29	67.05	15.09	15.85	60.86	61.36	13.62	14.28	26.52	27.28	7.52	8.28	26.2	27.8

DEEP STRAIGHT CLAMP



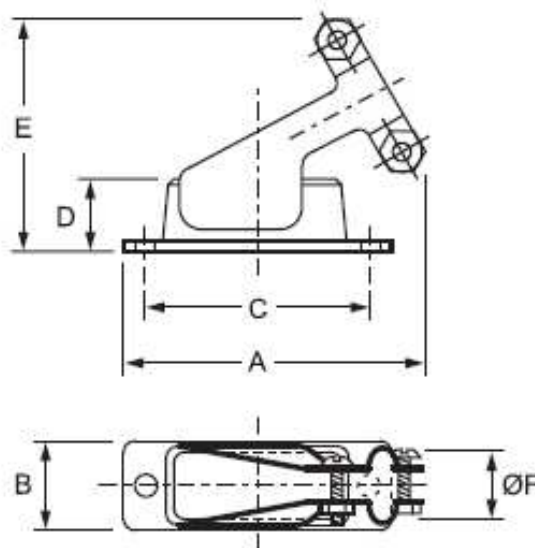
VARIANT	A		B		C		D	E		F		G		H
	MIN.	MAX.	MIN.	MAX.	MIN.	MAX.	MAX.	MIN.	MAX.	MIN.	MAX.	MIN.	MAX.	MAX.
34	30.32	31.08	12.32	13.08	24.74	25.24	14.7	10.62	11.38	7.12	7.88	18.62	19.38	31.7
35	38.51	39.27	12.32	13.08	33.08	33.58	14.7	18.62	19.38	7.12	7.88	18.62	19.38	31.7
36	52.40	53.16	12.32	13.08	46.79	47.29	14.7	31.62	32.38	7.12	7.88	25.02	25.78	39.7
37	68.66	69.42	12.32	13.08	63.25	63.75	14.7	47.62	48.38	7.12	7.88	25.02	25.78	39.7
38	66.29	67.05	15.09	15.85	60.86	61.36	17.4	45.62	46.38	9.52	10.28	28.22	28.98	42.9

RIGHT ANGLE CLAMP



VARIANT	A		B		C		E		F		G		H	
	MIN.	MAX.	MIN.	MAX.	MIN.	MAX.	MIN.	MAX.	MIN.	MAX.	MIN.	MAX.	MIN.	MAX.
39	30.32	31.08	17.4	19.0	24.74	25.24	10.3	11.9	10.3	11.9	—	12.7	—	7.9
40	38.51	39.27	17.4	19.0	33.08	33.58	10.3	11.9	10.3	11.9	—	12.7	—	7.9
41	52.40	53.16	23.8	25.4	46.79	47.29	10.3	11.9	15.1	16.7	—	12.7	—	7.9
42	68.66	69.42	29.3	30.9	63.25	63.75	10.3	11.9	19.8	21.4	—	12.7	—	7.9
43	66.29	67.05	30.9	32.5	60.86	61.36	13.5	15.1	22.3	23.9	—	14.3	—	9.5

60° ANGLED CLAMP



VARIANT	A	B	C	D	E	ØF
60	39.00	1.270	24.99	12.30	30.60	10.00